

PUHZ-SHW•HA Series / PUHZ-SHW•KA Series**INSTALLATION MANUAL**

FOR INSTALLER

For safe and correct use, read this manual and the indoor unit installation manual thoroughly before installing the outdoor unit. English is original. The other languages versions are translation of the original.

INSTALLATIONSHANDBUCH

FÜR INSTALLATEURE

Aus Sicherheitsgründen und zur richtigen Verwendung vor der Installation der Außenanlage das vorliegende Handbuch und die Installationsanleitung der Innenanlage gründlich durchlesen. Das Original ist in Englisch. Die anderen Sprachversionen sind vom Original übersetzt.

MANUEL D'INSTALLATION

POUR L'INSTALLATEUR

Avant d'installer l'appareil extérieur, lire attentivement ce manuel, ainsi que le manuel d'installation de l'appareil intérieur pour une utilisation sûre et correcte. L'anglais est l'original. Les versions fournies dans d'autres langues sont des traductions de l'original.

INSTALLATIEHANDLEIDING

VOOR DE INSTALLATEUR

Lees voor een veilig en juist gebruik deze handleiding en de installatiehandleiding van het binnenapparaat zorgvuldig door voordat u met het installeren van het buitenapparaat begint. Het Engels is het origineel. De andere taalversies zijn vertalingen van het origineel.

MANUAL DE INSTALACIÓN

PARA EL INSTALADOR

Para un uso correcto y seguro, lea detalladamente este manual y el manual de instalación de la unidad interior antes de instalar la unidad exterior. El idioma original del documento es el inglés. Las versiones en los demás idiomas son traducciones del original.

MANUALE DI INSTALLAZIONE

PER L'INSTALLATORE

Per un uso sicuro e corretto, leggere attentamente il presente manuale ed il manuale d'installazione dell'unità interna prima di installare l'unità esterna. Il testo originale è redatto in lingua Inglese. Le altre versioni linguistiche rappresentano traduzioni dell'originale.

ΕΓΧΕΙΡΙΔΙΟ ΟΔΗΓΙΩΝ ΕΓΚΑΤΑΣΤΑΣΗΣ

ΓΙΑ ΑΥΤΟΝ ΠΟΥ ΚΑΝΕΙ ΤΗΝ ΕΓΚΑΤΑΣΤΑΣΗ

Για σωστή και ασφαλή χρήση, διαβάστε προσεκτικά αυτό το εγχειρίδιο καθώς και το εγχειρίδιο εγκατάστασης της εσωτερικής μονάδας, προτού εγκαταστήσετε την εξωτερική μονάδα. Η γλώσσα του πρωτοτύπου είναι η αγγλική. Οι εκδόσεις άλλων γλωσσών είναι μεταφράσεις του πρωτοτύπου.

MANUAL DE INSTALAÇÃO

PARA O INSTALADOR

Para uma utilização segura e correcta, leia atentamente este manual e o manual de instalação da unidade interior antes de instalar a unidade exterior. O idioma original é o inglês. As versões em outros idiomas são traduções do idioma original.

INSTALLATIONSMANUAL

TIL INSTALLATØREN

Læs af sikkerhedshensyn denne manual samt manualen til installation af indendørsenheden grundigt, før du installerer udendørsenheden. Engelsk er originalsproget. De andre sprogversioner er oversættelser af originalen.

INSTALLATIONSMANUAL

FÖR INSTALLATÖREN

Läs bruksanvisningen och inomhusenhetens installationshandbok noga innan du installerar utomhusenhet för säker och korrekt användning. Engelska är originalspråket. De övriga språkversionerna är översättningar av originalet.

MONTAJ ELKİTABI

MONTÖR İÇİN

Emniyetli ve doğru kullanım için, dış üniteyi monte etmeden önce bu kılavuzu ve iç ünite montaj kılavuzunu tamamiyla okuyun. Aslı İngilizce'dir. Diğer dillerdeki sürümler aslının çevirisidir.

РУКОВОДСТВО ПО УСТАНОВКЕ

ДЛЯ УСТАНОВИТЕЛЯ

Для обеспечения безопасной и надлежащей эксплуатации внимательно прочтите данное руководство и руководство по установке внутреннего прибора перед установкой наружного прибора. Языком оригинала является английский. Версии на других языках являются переводом оригинала.

INSTALLASJONSHÅNDBOK

FOR MONTØR

For å sikre trygg og riktig bruk skal denne håndboken samt installasjonshåndboken for innendørsenheten leses grundig igjennom før enheten installeres. Engelsk er originalspråket. De andre språkversjonene er oversettelser av originalen.

ASENNUSOPAS

ASENTAJALLE

Turvallisen ja asianmukaisen käytön varmistamiseksi lue tämä opas sekä sisäyksikön asennusopas huolellisesti ennen ulkoyksikön asentamista. Alkuperäiskieli on englanti. Muut kieliversiot ovat alkuperäisen käännöksiä.

NÁVOD K MONTÁŽI

PRO MONTÉRA

Kvůli zajištění bezpečného a správného používání si před montáží vnější jednotky pečlivě přečtěte tento návod i návod k montáži vnitřní jednotky. Verze v angličtině je originál. Ostatní jazykové verze jsou překladem originálu.

INSTRUKCJA MONTAŻU

DLA INSTALATORA

Aby zapewnić bezpieczne i prawidłowe korzystanie z urządzenia, przed montażem jednostki zewnętrznej należy dokładnie zapoznać się z treścią niniejszej instrukcji oraz instrukcji montażu jednostki wewnętrznej. Originalną instrukcję sporządzono w języku angielskim. Pozostałe wersje językowe zostały przetłumaczone z oryginału.

РЪКОВОДСТВО ЗА МОНТАЖ

ЗА ИНСТАЛАТОРА

За безопасно и правилно използване, прочетете внимателно това ръководство и ръководството за монтаж на вътрешното тяло, преди да монтирате външното тяло. Версията на английски език е оригинал. Версията на други езици са превод от оригинала.

English

Deutsch

Français

Nederlands

Español

Italiano

Ελληνικά

Português

Dansk

Svenska

Türkçe

Русский

Norsk

Suomi

Čeština

Polski

Български

Contents

1. Safety precautions.....	2	7. Electrical work	8
2. Installation location	3	8. Test run (Only for Air-Conditioners).....	10
3. Installing the outdoor unit	5	9. Special Functions	11
4. Installing the refrigerant piping	5	10. System control	12
5. Drainage piping work.....	8	11. Specifications	12
6. Water piping work (Only for Air to Water Heat Pump).....	8	12. Serial number	12



Note: This symbol mark is for EU countries only.

This symbol mark is according to the directive 2012/19/EU Article 14 Information for users and Annex IX.

Your MITSUBISHI ELECTRIC product is designed and manufactured with high quality materials and components which can be recycled and reused. This symbol means that electrical and electronic equipment, at their end-of-life, should be disposed of separately from your household waste.

Please, dispose of this equipment at your local community waste collection/recycling centre.

In the European Union there are separate collection systems for used electrical and electronic product.

Please, help us to conserve the environment we live in!

⚠ Caution:

• Do not vent R410A into the Atmosphere:

■ Heat pumps certification

The mark "NF Heat pumps" is an independent certification program proving that heat pumps' performances and production quality of the factory are conformed with the certification reference NF-414. The combinations of indoor units and outdoor units, and their applications allowed to use the NF PAC mark can be consulted on the website www.marque-nf.com

1. Safety precautions

- ▶ Before installing the unit, make sure you read all the "Safety precautions".
- ▶ Please report to or take consent by the supply authority before connection to the system.

▶ PUAZ-SHW230YKA2

"This equipment complies with IEC 61000-3-12 provided that the short-circuit power S_{sc} is greater than or equal to $S_{sc} (*1)$ at the interface point between the user's supply and the public system. It is the responsibility of the installer or user of the equipment to ensure, by consultation with the distribution network operator if necessary, that the equipment is connected only to a supply with a short-circuit power S_{sc} greater than or equal to $S_{sc} (*1)$ "

$S_{sc} (*1)$

Model	S_{sc} (MVA)
PUAZ-SHW230YKA2	1.35

⚠ Warning:

Describes precautions that must be observed to prevent danger of injury or death to the user.

⚠ Caution:

Describes precautions that must be observed to prevent damage to the unit.

After installation work has been completed, explain the "Safety Precautions," use, and maintenance of the unit to the customer according to the information in the Operation Manual and perform the test run to ensure normal operation. Both the Installation Manual and Operation Manual must be given to the user for keeping. These manuals must be passed on to subsequent users.

⚡ : Indicates a part which must be grounded.

⚠ Warning:

Carefully read the labels affixed to the main unit.

⚠ Warning:

- The unit must not be installed by the user. Ask a dealer or an authorized technician to install the unit. If the unit is installed incorrectly, water leakage, electric shock, or fire may result.
- For installation work, follow the instructions in the Installation Manual and use tools and pipe components specifically made for use with R410A refrigerant. The R410A refrigerant in the HFC system is pressurized 1.6 times the pressure of usual refrigerants. If pipe components not designed for R410A refrigerant are used and the unit is not installed correctly, the pipes may burst and cause damage or injuries. In addition, water leakage, electric shock, or fire may result.
- The unit must be installed according to the instructions in order to minimize the risk of damage from earthquakes, typhoons, or strong winds. An incorrectly installed unit may fall down and cause damage or injuries.
- The unit must be securely installed on a structure that can sustain its weight. If the unit is mounted on an unstable structure, it may fall down and cause damage or injuries.
- If the outdoor unit is installed in a small room, measures must be taken to prevent the refrigerant concentration in the room from exceeding the safety limit in the event of refrigerant leakage. Consult a dealer regarding the appropriate measures to prevent the allowable concentration from being exceeded. Should the refrigerant leak and cause the concentration limit to be exceeded, hazards due to lack of oxygen in the room may result.
- Ventilate the room if refrigerant leaks during operation. If refrigerant comes into contact with a flame, poisonous gases will be released.
- All electric work must be performed by a qualified technician according to local regulations and the instructions given in this manual. The units must be powered by dedicated power lines and the correct voltage and circuit breakers must be used. Power lines with insufficient capacity or incorrect electrical work may result in electric shock or fire.
- Use C1220 copper phosphorus, for copper and copper alloy seamless pipes, to connect the refrigerant pipes. If the pipes are not connected correctly, the unit will not be properly grounded and electric shock may result.

- Use only specified cables for wiring. The wiring connections must be made securely with no tension applied on the terminal connections. Also, never splice the cables for wiring (unless otherwise indicated in this document). Failure to observe these instructions may result in overheating or a fire.
- The terminal block cover panel of the outdoor unit must be firmly attached. If the cover panel is mounted incorrectly and dust and moisture enter the unit, electric shock or fire may result.
- When installing or relocating, or servicing the outdoor unit, use only the specified refrigerant (R410A) to charge the refrigerant lines. Do not mix it with any other refrigerant and do not allow air to remain in the lines. If air is mixed with the refrigerant, then it can be the cause of abnormal high pressure in the refrigerant line, and may result in an explosion and other hazards. The use of any refrigerant other than that specified for the system will cause mechanical failure or system malfunction or unit breakdown. In the worst case, this could lead to a serious impediment to securing product safety.
- Use only accessories authorized by Mitsubishi Electric and ask a dealer or an authorized technician to install them. If accessories are incorrectly installed, water leakage, electric shock, or fire may result.
- Do not alter the unit. Consult a dealer for repairs. If alterations or repairs are not performed correctly, water leakage, electric shock, or fire may result.
- The user should never attempt to repair the unit or transfer it to another location. If the unit is installed incorrectly, water leakage, electric shock, or fire may result. If the outdoor unit must be repaired or moved, ask a dealer or an authorized technician.
- After installation has been completed, check for refrigerant leaks. If refrigerant leaks into the room and comes into contact with the flame of a heater or portable cooking range, poisonous gases will be released.

1.1. Before installation

⚠ Caution:

- Do not use the unit in an unusual environment. If the outdoor unit is installed in areas exposed to steam, volatile oil (including machine oil), or sulfuric gas, areas exposed to high salt content such as the seaside, or areas where the unit will be covered by snow, the performance can be significantly reduced and the internal parts can be damaged.
- Do not install the unit where combustible gases may leak, be produced, flow, or accumulate. If combustible gas accumulates around the unit, fire or explosion may result.

- The outdoor unit produces condensation during the heating operation. Make sure to provide drainage around the outdoor unit if such condensation is likely to cause damage.
- When installing the unit in a hospital or communications office, be prepared for noise and electronic interference. Inverters, home appliances, high-frequency medical equipment, and radio communications equipment can cause the outdoor unit to malfunction or breakdown. The outdoor unit may also affect medical equipment, disturbing medical care, and communications equipment, harming the screen display quality.

1. Safety precautions

1.2. Before installation (relocation)

⚠ Caution:

- Be extremely careful when transporting or installing the units. 2 or more persons are needed to handle the unit, as it weighs 20 kg or more. Do not grasp the packaging bands. Wear protective gloves to remove the unit from the packaging and to move it, as you can injure your hands on the fins or the edge of other parts.
- Be sure to safely dispose of the packaging materials. Packaging materials, such as nails and other metal or wooden parts may cause stabs or other injuries.

- The base and attachments of the outdoor unit must be periodically checked for looseness, cracks or other damage. If such defects are left uncorrected, the unit may fall down and cause damage or injuries.
- Do not clean the outdoor unit with water. Electric shock may result.
- Tighten all flare nuts to specification using a torque wrench. If tightened too much, the flare nut can break after an extended period and refrigerant can leak out.

1.3. Before electric work

⚠ Caution:

- Be sure to install circuit breakers. If not installed, electric shock may result.
- For the power lines, use standard cables of sufficient capacity. Otherwise, a short circuit, overheating, or fire may result.
- When installing the power lines, do not apply tension to the cables. If the connections are loosened, the cables can snap or break and overheating or fire may result.

- Be sure to ground the unit. Do not connect the ground wire to gas or water pipes, lightning rods, or telephone grounding lines. If the unit is not properly grounded, electric shock may result.
- Use circuit breakers (ground fault interrupter, isolating switch (+B fuse), and molded case circuit breaker) with the specified capacity. If the circuit breaker capacity is larger than the specified capacity, breakdown or fire may result.

1.4. Before starting the test run (Only for Air-Conditioners)

⚠ Caution:

- Turn on the main power switch more than 12 hours before starting operation. Starting operation just after turning on the power switch can severely damage the internal parts. Keep the main power switch turned on during the operation season.
- Before starting operation, check that all panels, guards and other protective parts are correctly installed. Rotating, hot, or high voltage parts can cause injuries.

- Do not touch any switch with wet hands. Electric shock may result.
- Do not touch the refrigerant pipes with bare hands during operation. The refrigerant pipes are hot or cold depending on the condition of the flowing refrigerant. If you touch the pipes, burns or frostbite may result.
- After stopping operation, be sure to wait at least five minutes before turning off the main power switch. Otherwise, water leakage or breakdown may result.

1.5. Using R410A refrigerant outdoor unit

⚠ Caution:

- Use C1220 copper phosphorus, for copper and copper alloy seamless pipes, to connect the refrigerant pipes. Make sure the insides of the pipes are clean and do not contain any harmful contaminants such as sulfuric compounds, oxidants, debris, or dust. Use pipes with the specified thickness. (Refer to 4.1.) Note the following if reusing existing pipes that carried R22 refrigerant.
 - Replace the existing flare nuts and flare the flared sections again.
 - Do not use thin pipes. (Refer to 4.1.)
- Store the pipes to be used during installation indoors and keep both ends of the pipes sealed until just before brazing. (Leave elbow joints, etc. in their packaging.) If dust, debris, or moisture enters the refrigerant lines, oil deterioration or compressor breakdown may result.
- Use ester oil, ether oil, alkylbenzene oil (small amount) as the refrigeration oil applied to the flared sections. If mineral oil is mixed in the refrigeration oil, oil deterioration may result.

- Do not use refrigerant other than R410A refrigerant. If another refrigerant is used, the chlorine will cause the oil to deteriorate.
- Use the following tools specifically designed for use with R410A refrigerant. The following tools are necessary to use R410A refrigerant. Contact your nearest dealer for any questions.

Tools (for R410A)	
Gauge manifold	Flare tool
Charge hose	Size adjustment gauge
Gas leak detector	Vacuum pump adapter
Torque wrench	Electronic refrigerant charging scale

- Be sure to use the correct tools. If dust, debris, or moisture enters the refrigerant lines, refrigeration oil deterioration may result.
- Do not use a charging cylinder. If a charging cylinder is used, the composition of the refrigerant will change and the efficiency will be lowered.

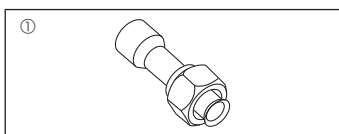


Fig. 1-1

1.6. Accessories of outdoor unit (Fig. 1-1) (SHW230)

The parts show in the left are the accessories of this unit, which are affixed to the inside of the service panel.

- ① Joint pipe.....x1

2. Installation location

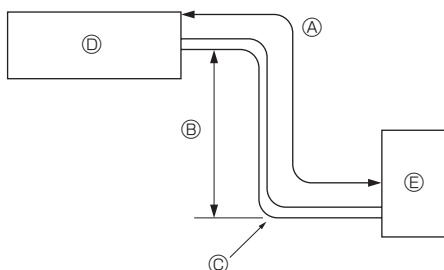


Fig. 2-1

2.1. Refrigerant pipe (Fig. 2-1)

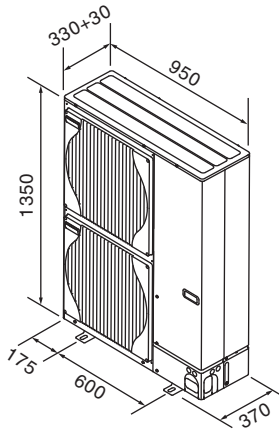
- ▶ Check that the difference between the heights of the indoor and outdoor units, the length of refrigerant pipe, and the number of bends in the pipe are within the limits shown below.

Models	Ⓐ Pipe length (one way)	Ⓑ Height difference	Ⓒ Number of bends (one way)
SHW80, 112, 140	2 m - 75 m	Max. 30 m	Max. 15
SHW230	2 m - 80 m	Max. 30 m	Max. 15

- Height difference limitation is defined regardless of which unit, indoor or outdoor, is positioned higher.
 - Ⓓ Indoor unit
 - Ⓔ Outdoor unit

2. Installation location

■ SHW80, 112, 140



■ SHW230

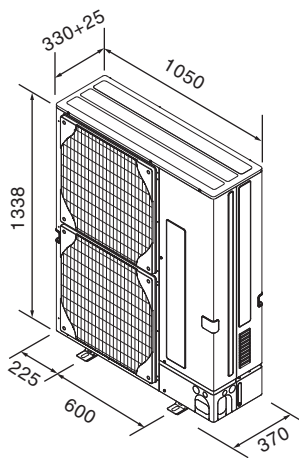


Fig. 2-2

2.2. Choosing the outdoor unit installation location

- Avoid locations exposed to direct sunlight or other sources of heat.
- Select a location from which noise emitted by the unit will not inconvenience neighbors.
- Select a location permitting easy wiring and pipe access to the power source and indoor unit.
- Avoid locations where combustible gases may leak, be produced, flow, or accumulate.
- Note that water may drain from the unit during operation.
- Select a level location that can bear the weight and vibration of the unit.
- Avoid locations where the unit can be covered by snow. In areas where heavy snow fall is anticipated, special precautions such as raising the installation location or installing a hood on the air intake must be taken to prevent the snow from blocking the air intake or blowing directly against it. This can reduce the airflow and a malfunction may result.
- Avoid locations exposed to oil, steam, or sulfuric gas.
- Use the transportation handles of the outdoor unit to transport the unit. If the unit is carried from the bottom, hands or fingers may be pinched.

2.3. Outline dimensions (Outdoor unit) (Fig. 2-2)

2.4. Ventilation and service space

2.4.1. Windy location installation

When installing the outdoor unit on a rooftop or other location unprotected from the wind, situate the air outlet of the unit so that it is not directly exposed to strong winds. Strong wind entering the air outlet may impede the normal airflow and a malfunction may result.

The following shows three examples of precautions against strong winds.

- ① Face the air outlet towards the nearest available wall about 50 cm away from the wall. (Fig. 2-3)
- ② Install an optional air guide if the unit is installed in a location where strong winds from a typhoon, etc. may directly enter the air outlet. (Fig. 2-4)
 - Ⓐ Air protection guide
- ③ Position the unit so that the air outlet blows perpendicularly to the seasonal wind direction, if possible. (Fig. 2-5)
 - Ⓑ Wind direction

2.4.2. When installing a single outdoor unit (Refer to the last page)

Minimum dimensions are as follows, except for Max., meaning Maximum dimensions, indicated.

Refer to the figures for each case.

- ① Obstacles at rear only (Fig. 2-6)
- ② Obstacles at rear and above only (Fig. 2-7)
- ③ Obstacles at rear and sides only (Fig. 2-8)
- ④ Obstacles at front only (Fig. 2-9)
 - * When using the optional air outlet guides, the clearance is 500 mm or more.
- ⑤ Obstacles at front and rear only (Fig. 2-10)
 - * When using the optional air outlet guides, the clearance is 500 mm or more.
- ⑥ Obstacles at rear, sides, and above only (Fig. 2-11)
 - Do not install the optional air outlet guides for upward airflow.

2.4.3. When installing multiple outdoor units (Refer to the last page)

Leave 10 mm space or more between the units.

- ① Obstacles at rear only (Fig. 2-12)
- ② Obstacles at rear and above only (Fig. 2-13)
 - No more than 3 units must be installed side by side. In addition, leave space as shown.
 - Do not install the optional air outlet guides for upward airflow.
- ③ Obstacles at front only (Fig. 2-14)
 - * When using the optional air outlet guides, the clearance is 1000 mm or more.
- ④ Obstacles at front and rear only (Fig. 2-15)
 - * When using the optional air outlet guides, the clearance is 1000 mm or more.
- ⑤ Single parallel unit arrangement (Fig. 2-16)
 - * When using the optional air outlet guides installed for upward airflow, the clearance is 1000 mm or more.
- ⑥ Multiple parallel unit arrangement (Fig. 2-17)
 - * When using the optional air outlet guides installed for upward airflow, the clearance is 1500 mm or more.
- ⑦ Stacked unit arrangement (Fig. 2-18)
 - The units can be stacked up to 2 units high.
 - No more than 2 stacked units must be installed side by side. In addition, leave space as shown.

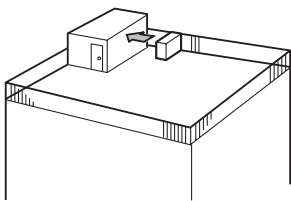


Fig. 2-3

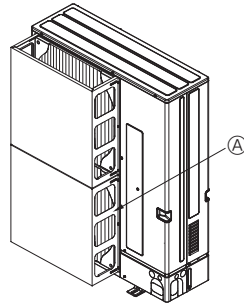


Fig. 2-4

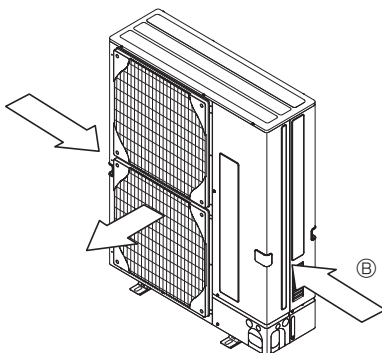
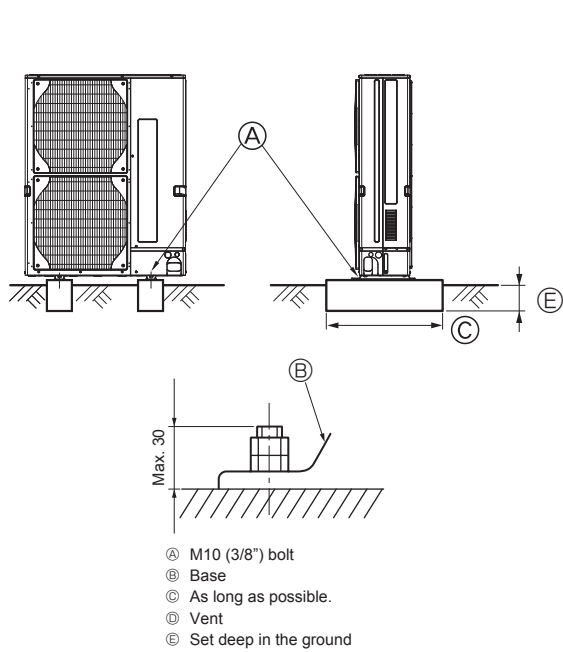


Fig. 2-5

3. Installing the outdoor unit



- Be sure to install the unit in a sturdy, level surface to prevent rattling noises during operation. (Fig. 3-1)

<Foundation specifications>

Foundation bolt	M10 (3/8")
Thickness of concrete	120 mm
Length of bolt	70 mm
Weight-bearing capacity	320 kg

- Make sure that the length of the foundation bolt is within 30 mm of the bottom surface of the base.
- Secure the base of the unit firmly with four-M10 foundation bolts in sturdy locations.

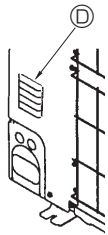
Installing the outdoor unit

- Do not block the vent. If the vent is blocked, operation will be hindered and breakdown may result.
- In addition to the unit base, use the installation holes on the back of the unit to attach wires, etc., if necessary to install the unit. Use self-tapping screws (ø5 × 15 mm or less) and install on site.

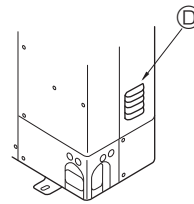
⚠ Warning:

- The unit must be securely installed on a structure that can sustain its weight. If the unit is mounted on an unstable structure, it may fall down and cause damage or injuries.
- The unit must be installed according to the instructions in order to minimize the risk of damage from earthquakes, typhoons, or strong winds. An incorrectly installed unit may fall down and cause damage or injuries.

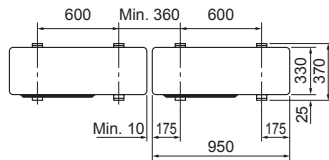
■ SHW80, 112, 140



■ SHW230



■ SHW80, 112, 140



■ SHW230

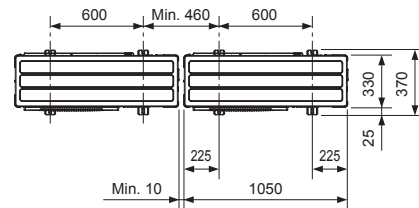


Fig. 3-1

4. Installing the refrigerant piping

4.1. Precautions for devices that use R410A refrigerant

- Refer to 1.5. for precautions not included below on using outdoor unit with R410A refrigerant.
- Use ester oil, ether oil, alkylbenzene oil (small amount) as the refrigeration oil applied to the flared sections.
- Use C1220 copper phosphorus, for copper and copper alloy seamless pipes, to connect the refrigerant pipes. Use refrigerant pipes with the thicknesses specified in the table to the below. Make sure the insides of the pipes are clean and do not contain any harmful contaminants such as sulfuric compounds, oxidants, debris, or dust.

Always apply no-oxidation brazing when brazing the pipes, otherwise, the compressor will be damaged.

⚠ Warning:

When installing or relocating, or servicing the outdoor unit, use only the specified refrigerant (R410A) to charge the refrigerant lines. Do not mix it with any other refrigerant and do not allow air to remain in the lines.

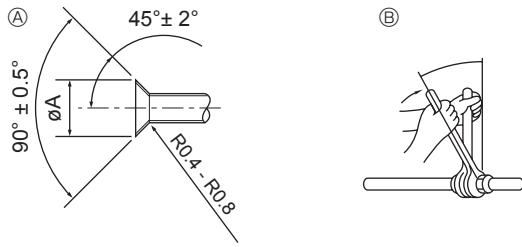
If air is mixed with the refrigerant, then it can be the cause of abnormal high pressure in the refrigerant line, and may result in an explosion and other hazards.

The use of any refrigerant other than that specified for the system will cause mechanical failure or system malfunction or unit breakdown. In the worst case, this could lead to a serious impediment to securing product safety.

Pipe size (mm)	φ6.35	φ9.52	φ12.7	φ15.88	φ19.05	φ22.2	φ25.4	φ28.58
Thickness (mm)	0.8	0.8	0.8	1.0	1.0	1.0	1.0	1.0

- Do not use pipes thinner than those specified above.
- Use 1/2 H or H pipes if the diameter is 19.05 mm or larger.

4. Installing the refrigerant piping



Ⓐ Flare cutting dimensions
Ⓑ Flare nut tightening torque

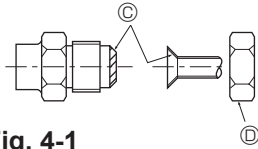


Fig. 4-1

Ⓐ (Fig. 4-1)

Copper pipe O.D. (mm)	Flare dimensions øA dimensions (mm)
ø6.35	8.7 - 9.1
ø9.52	12.8 - 13.2
ø12.7	16.2 - 16.6
ø15.88	19.3 - 19.7
ø19.05	23.6 - 24.0

Ⓑ (Fig. 4-1)

Copper pipe O.D. (mm)	Flare nut O.D. (mm)	Tightening torque (N·m)
ø6.35	17	14 - 18
ø6.35	22	34 - 42
ø9.52	22	34 - 42
ø12.7	26	49 - 61
ø12.7	29	68 - 82
ø15.88	29	68 - 82
ø15.88	36	100 - 120
ø19.05	36	100 - 120

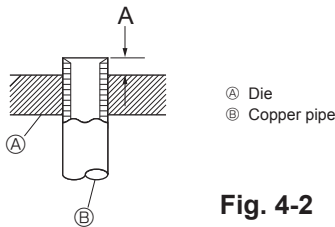
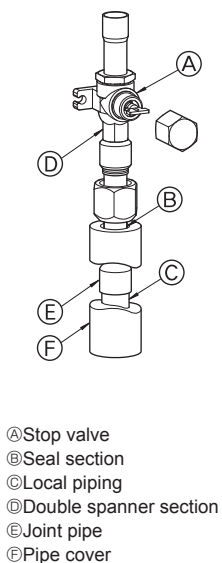
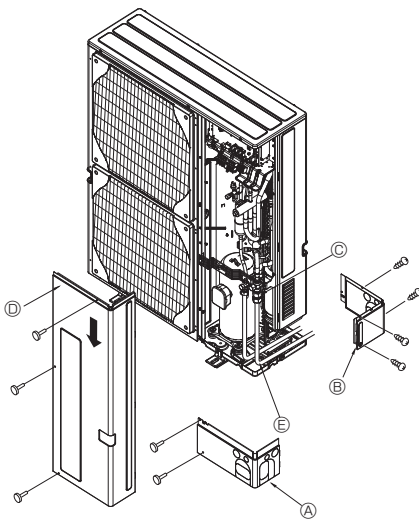


Fig. 4-2



Ⓐ Stop valve
Ⓑ Seal section
Ⓒ Local piping
Ⓓ Double spanner section
Ⓔ Joint pipe
Ⓕ Pipe cover

Fig. 4-3



Ⓐ Front piping cover
Ⓑ Piping cover
Ⓒ Stop valve
Ⓓ Service panel
Ⓔ Bend radius : 100 mm - 150 mm

Fig. 4-4

4.2. Connecting pipes (Fig. 4-1)

- When commercially available copper pipes are used, wrap liquid and gas pipes with commercially available insulation materials (heat-resistant to 100°C or more, thickness of 12 mm or more).
- Be sure to separate thermal insulation for gas and liquid refrigerant pipes.
- The indoor parts of the drain pipe should be wrapped with polyethylene foam insulation materials (specific gravity of 0.03, thickness of 9 mm or more).
- Apply thin layer of refrigerant oil to pipe and joint seating surface before tightening flare nut. Ⓐ
- Use 2 wrenches to tighten piping connections. Ⓑ
- Use leak detector or soapy water to check for gas leaks after connections are completed.
- Apply refrigerating machine oil over the entire flare seat surface. Ⓒ
- Use the flare nuts for the following pipe size. Ⓓ

		SHW80, 112, 140	SHW230
Gas side	Pipe size (mm)	ø15.88	ø25.4
Liquid side	Pipe size (mm)	ø9.52	ø12.7

- When bending the pipes, be careful not to break them. Bend radii of 100 mm to 150 mm are sufficient.
- Make sure the pipes do not contact the compressor. Abnormal noise or vibration may result.
- ① Pipes must be connected starting from the indoor unit. Flare nuts must be tightened with a torque wrench.
- ② Flare the liquid pipes and gas pipes and apply a thin layer of refrigeration oil (Applied on site).
- When usual pipe sealing is used, refer to Table 1 for flaring of R410A refrigerant pipes. The size adjustment gauge can be used to confirm A measurements.

Table 1 (Fig. 4-2)

Copper pipe O.D. (mm)	A (mm)	
	Flare tool for R410A	Flare tool for R22·R407C
	Clutch type	
ø6.35 (1/4")	0 - 0.5	1.0 - 1.5
ø9.52 (3/8")	0 - 0.5	1.0 - 1.5
ø12.7 (1/2")	0 - 0.5	1.0 - 1.5
ø15.88 (5/8")	0 - 0.5	1.0 - 1.5
ø19.05 (3/4")	0 - 0.5	1.0 - 1.5

- ③ Use the following procedure for connecting the gas-side piping. (Fig.4-3) (SHW230)
- 1 Braze the Ⓔ Joint pipe provided to the outdoor unit using locally procured brazing materials and Ⓒ Local piping without oxygen.
- 2 Connect the Ⓔ Joint pipe to the gas-side Stop valve. Use 2 wrenches to tighten the flare nut.
* If order is reversed, refrigerant leak occurs because of the part damaging by brazing fire.

4.3. Refrigerant piping (Fig. 4-4)

Remove the service panel Ⓓ (3 screws) and the front piping cover Ⓐ (2 screws) and rear piping cover Ⓑ (2 screws: SHW80 - 140) (4 screws: SHW230).

- Perform refrigerant piping connections for the indoor/outdoor unit when the outdoor unit's stop valve is completely closed.
- Vacuum-purge air from the indoor unit and the connection piping.
- After connecting the refrigerant pipes, check the connected pipes and the indoor unit for gas leaks. (Refer to 4.4 Refrigerant pipe airtight testing method)
- A high-performance vacuum pump is used at the stop valve service port to maintain a vacuum for an adequate time (at least one hour after reaching -101 kPa (5 Torr)) in order to vacuum dry the inside of the pipes. Always check the degree of vacuum at the gauge manifold. If there is any moisture left in the pipe, the degree of vacuum is sometimes not reached with short-time vacuum application. After vacuum drying, completely open the stop valves (both liquid and gas) for the outdoor unit. This completely links the indoor and outdoor refrigerant circuits.
 - If the vacuum drying is inadequate, air and water vapor remain in the refrigerant circuits and can cause abnormal rise of high pressure, abnormal drop of low pressure, deterioration of the refrigerating machine oil due to moisture, etc.
 - If the stop valves are left closed and the unit is operated, the compressor and control valves will be damaged.
 - Use a leak detector or soapy water to check for gas leaks at the pipe connection sections of the outdoor unit.
 - Do not use the refrigerant from the unit to purge air from the refrigerant lines.
 - After the valve work is completed, tighten the valve caps to the correct torque: 20 to 25 N·m (200 to 250 kgf·cm). Failure to replace and tighten the caps may result in refrigerant leakage. In addition, do not damage the insides of the valve caps as they act as a seal to prevent refrigerant leakage.
- Use sealant to seal the ends of the thermal insulation around the pipe connection sections to prevent water from entering the thermal insulation.

4. Installing the refrigerant piping

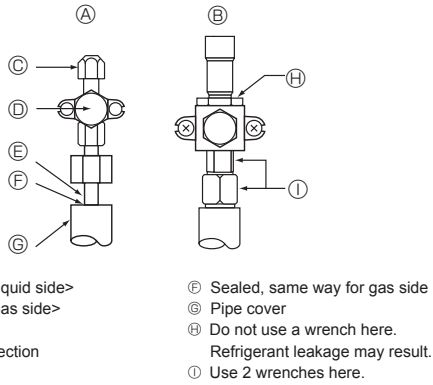


Fig. 4-5

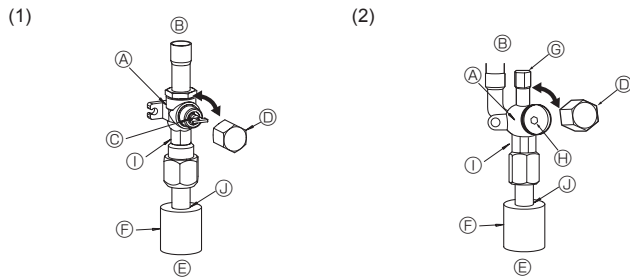


Fig. 4-6

Fig. 4-7

- Ⓐ Valve
- Ⓑ Unit side
- Ⓒ Handle
- Ⓓ Cap
- Ⓔ Local pipe side
- Ⓕ Pipe cover
- Ⓖ Service port
- Ⓗ Wrench hole
- Ⓛ Double spanner section
(Do not apply a spanner other than to this section. Doing so would cause coolant leaks.)
- Ⓜ Seal section
(Seal the end of the heat insulation material at the pipe connection section with whatever seal material you have on hand so that water does not infiltrate the heat insulation material.)

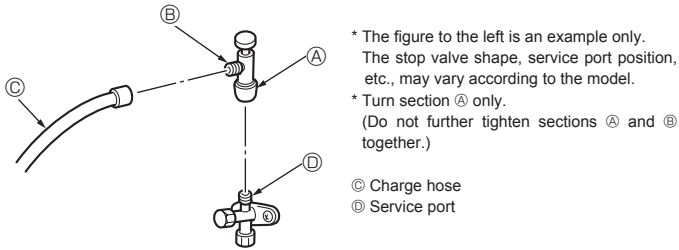


Fig. 4-8

4.4. Refrigerant pipe airtight testing method (Fig.4-5)

- (1) Connect the testing tools.
 - Make sure the stop valves Ⓐ Ⓑ are closed and do not open them.
 - Add pressure to the refrigerant lines through the service port Ⓒ of the liquid stop valve Ⓐ.
- (2) Do not add pressure to the specified pressure all at once; add pressure little by little.
 - ① Pressurize to 0.5 MPa (5 kgf/cm²G), wait 5 minutes, and make sure the pressure does not decrease.
 - ② Pressurize to 1.5 MPa (15 kgf/cm²G), wait 5 minutes, and make sure the pressure does not decrease.
 - ③ Pressurize to 4.15 MPa (41.5 kgf/cm²G) and measure the surrounding temperature and refrigerant pressure.
- (3) If the specified pressure holds for about 1 day and does not decrease, the pipes have passed the test and there are no leaks.
 - If the surrounding temperature changes by 1°C, the pressure will change by about 0.01 MPa (0.1 kgf/cm²G). Make the necessary corrections.
- (4) If the pressure decreases in steps (2) or (3), there is a gas leak. Look for the source of the gas leak.

4.5. Stop valve opening method

The stop valve opening method varies according to the outdoor unit model. Use the appropriate method to open the stop valves.

- (1) Gas side (Fig. 4-6)
 - ① Remove the cap, pull the handle toward you and rotate 1/4 turn in a counterclockwise direction to open.
 - ② Make sure that the stop valve is open completely, push in the handle and rotate the cap back to its original position.
- (2) Liquid side (Fig. 4-7)
 - ① Remove the cap and turn the valve rod counterclockwise as far as it will go with the use of a 4 mm hexagonal wrench. Stop turning when it hits the stopper. (ø9.52: Approximately 10 revolutions)
 - ② Make sure that the stop valve is open completely, push in the handle and rotate the cap back to its original position.

Refrigerant pipes are protectively wrapped

- The pipes can be protectively wrapped up to a diameter of ø90 before or after connecting the pipes. Cut out the knockout in the pipe cover and wrap the pipes.

Pipe inlet gap

- Use putty or sealant to seal the pipe inlet around the pipes so that no gaps remain. (If the gaps are not closed, noise may be emitted or water and dust will enter the unit and breakdown may result.)

Precautions when using the charge valve (Fig.4-8)

Do not tighten the service port too much when installing it, otherwise, the valve core could be deformed and become loose, causing a gas leak.

After positioning section Ⓑ in the desired direction, turn section Ⓐ only and tighten it. Do not further tighten sections Ⓐ and Ⓑ together after tightening section Ⓐ.

⚠ Warning:

When installing the unit, securely connect the refrigerant pipes before starting the compressor.

4.6. Addition of refrigerant

- Additional charging is not necessary if the pipe length does not exceed 30 m.
- If the pipe length exceeds 30 m, charge the unit with additional R410A refrigerant according to the permitted pipe lengths in the chart below.
 - * When the unit is stopped, charge the unit with the additional refrigerant through the liquid stop valve after the pipe extensions and indoor unit have been vacuumized.
 - When the unit is operating, add refrigerant to the gas check valve using a safety charger. Do not add liquid refrigerant directly to the check valve.

- * After charging the unit with refrigerant, note the added refrigerant amount on the service label (attached to the unit). Refer to the "1.5. Using R410A refrigerant outdoor unit" for more information.
- Be careful when installing multiple units. Connecting to an incorrect indoor unit can lead to abnormally high pressure and have a serious effect on operation performance.

Model	Permitted pipe length	Permitted vertical difference	Initial charging refrigerant amount	Additional refrigerant charging amount			
				31 - 40 m	41 - 50 m	51 - 60 m	61 - 75 m
SHW80, 112, 140	2 m - 75 m	Max. 30 m	5.5 kg	0.6 kg	1.2 kg	1.8 kg	2.4 kg

Model	Permitted pipe length	Permitted vertical difference	Initial charging refrigerant amount	Operation method	Liquid pipe size	Additional refrigerant charging amount					
						21 - 30 m	31 - 40 m	41 - 50 m	51 - 60 m	61 - 70 m	71 - 80 m
SHW230	2 m - 80 m*1	Max. 30 m	7.1 kg	ATW	ø 12.7	–	1.4 kg	2.8 kg	4.2 kg	5.6 kg	7.0 kg
					ø 9.52	–	–	0.8 kg	1.7 kg	2.6 kg	3.5 kg
				ATA / AHU	ø 12.7	1.4 kg	2.8 kg	4.2 kg	5.6 kg	7.0 kg	8.4 kg
					ø 9.52	–	0.8 kg	1.7 kg	2.6 kg	3.5 kg	4.4 kg

*1. Set the control board SW8-2 to ON when pipe length is 10 m or less (SHW230YKA2R2 or later).

4. Installing the refrigerant piping

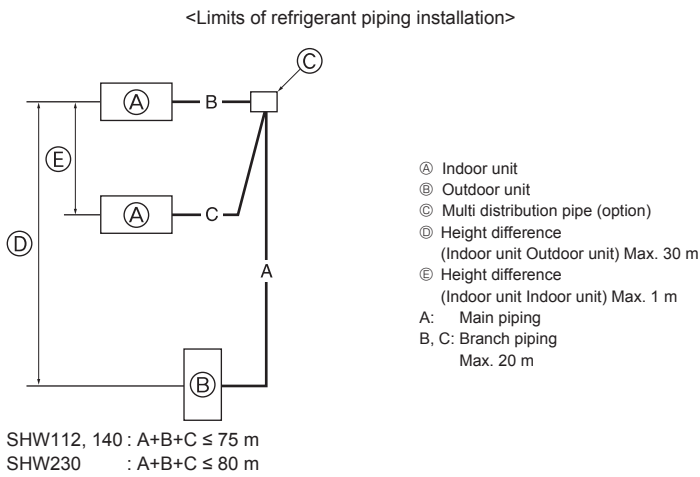


Fig. 4-9

4.7. For twin/triple/quadruple combination (Fig. 4-9) (Only for Air-Conditioners)

- When this unit is used as a FREE COMPO MULTI unit, install the refrigerant piping with the restrictions indicated in the drawing on the left. In addition, if the restrictions are going to be exceeded, or if there are going to be combinations of indoor and outdoor units, refer to installation instructions for the indoor unit for details about the installation.

Outdoor unit	Permissible total piping length A+B+C	Charge-less piping length A+B+C
SHW112, 140	75 m or less	30 m or less
SHW230	80 m or less	30 m or less

Outdoor unit	B-C	No. of bends
SHW112, 140, 230	8 m or less	Within 15

5. Drainage piping work

Outdoor unit drainage pipe connection

PUHZ-SHW series is not connectable with a drainage pipe because of cold district specification.

6. Water piping work (Only for Air to Water Heat Pump)

Minimum water quantity

Following water quantity is required in the water circuit.

Model	Minimum water quantity (L)
SHW80	34
SHW112	48
SHW140	60
SHW230	99

Make sure to perform freeze protection measure such as applying anti-freeze solution when operating the unit on cooling mode under low ambient temperature (under 0 °C).

7. Electrical work

7.1. Outdoor unit (Fig. 7-1, Fig. 7-2)

- Remove the service panel.
- Wire the cables referring to the Fig. 7-1 and the Fig. 7-2.

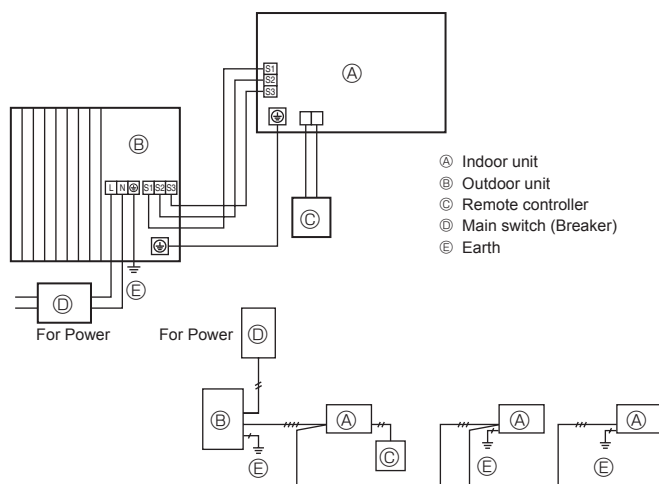
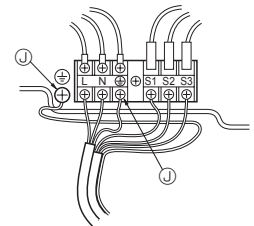


Fig. 7-1

SHW80, 112V



SHW112 - 230V

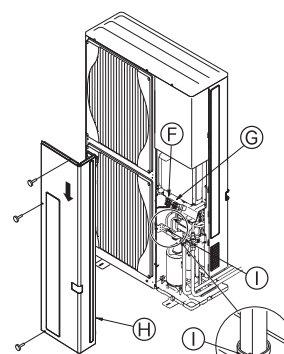
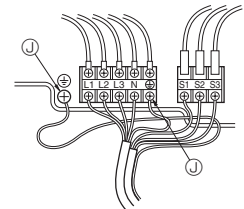


Fig. 7-2

- Terminal block
- Indoor/Outdoor connection terminal block (S1, S2, S3)
- Service panel
- Clamp
- Earth terminal
- * Clamp the cables so that they do not contact the center of the service panel or the gas valve.

Note :
If the protective sheet for the electrical box is removed during servicing, be sure to reinstall it.

Caution:
Be sure to install N-Line. Without N-Line, it could cause damage to the unit.

Note: Only for Air to Water Heat Pump
When multiple indoor units (Hydro boxes) are connected to the outdoor unit, wire the PCB of either one of the indoor unit and the outdoor unit (S1, S2, S3).

It is impossible to connect the PCBs of multiple indoor units to the outdoor unit.

7. Electrical work

7.2. Field electrical wiring

Outdoor unit model		SHW80V	SHW112V	SHW112, 140Y	SHW230Y
Outdoor unit power supply		~N (single), 50 Hz, 230 V	~N (single), 50 Hz, 230 V	3N~ (3 ph 4-wires), 50 Hz, 400 V	3N~ (3 ph 4-wires), 50 Hz, 400 V
Outdoor unit input capacity Main switch (Breaker) *1		32 A	40 A	16 A	25 A
Wiring Wire No. x size (mm ²)	Outdoor unit power supply	3 x Min. 4	3 x Min. 6	5 x Min. 1.5	5 x Min. 4
	Indoor unit-Outdoor unit *2	3 x 1.5 (Polar)	3 x 1.5 (Polar)	3 x 1.5 (Polar)	Cable length 50m:3x4 (Polar)/ Cable length 80m:3x6 (Polar)
	Indoor unit-Outdoor unit earth *2	1 x Min. 1.5	1 x Min. 1.5	1 x Min. 1.5	1 x Min. 2.5
	Remote controller-Indoor unit *3	2 x 0.3 (Non-polar)	2 x 0.3 (Non-polar)	2 x 0.3 (Non-polar)	2 x 0.3 (Non-polar)
Circuit rating	Outdoor unit L-N (single)	230 VAC	230 VAC	230 VAC	230 VAC
	Outdoor unit L1-N, L2-N, L3-N (3 phase)	230 VAC	230 VAC	230 VAC	230 VAC
	Indoor unit-Outdoor unit S1-S2 *4	230 VAC	230 VAC	230 VAC	230 VAC
	Indoor unit-Outdoor unit S2-S3 *4	24 VDC	24 VDC	24 VDC	24 VDC
	Remote controller-Indoor unit *4	12 VDC	12 VDC	12 VDC	12 VDC

*1. A breaker with at least 3.0 mm contact separation in each poles shall be provided. Use earth leakage breaker (NV).
Make sure that the current leakage breaker is one compatible with higher harmonics.
Always use a current leakage breaker that is compatible with higher harmonics as this unit is equipped with an inverter.
The use of an inadequate breaker can cause the incorrect operation of inverter.

*2. (SHW80 - 140)

Max. 45 m

If 2.5 mm² used, Max. 50 m

If 2.5 mm² used and S3 separated, Max. 80 m

(SHW230)

Max. 80 m Total Max. including all indoor/indoor connection is 80 m.

• Use one cable for S1 and S2 and another for S3 as shown in the picture.



*3. The 10 m wire is attached in the remote controller accessory.

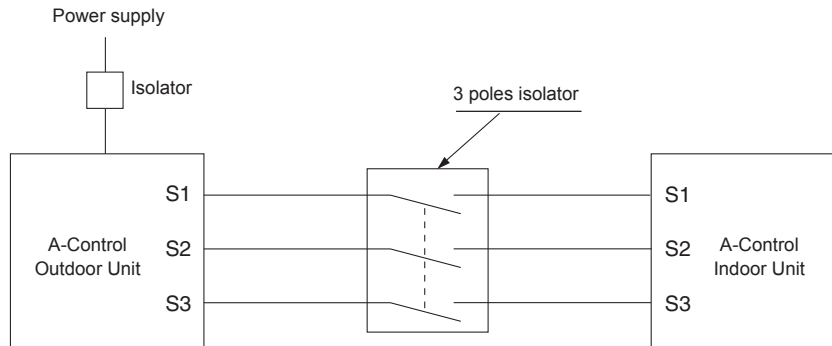
*4. The figures are NOT always against the ground.

S3 terminal has 24 VDC against S2 terminal. However between S3 and S1, these terminals are NOT electrically insulated by the transformer or other device.

Notes: 1. Wiring size must comply with the applicable local and national code.

2. Power supply cords and Indoor/Outdoor unit connecting cords shall not be lighter than polychloroprene sheathed flexible cord. (Design 60245 IEC 57)

3. Use an earth wire which is longer than the other cords so that it will not become disconnected when tension is applied.



⚠ Warning:

- In case of A-control wiring, there is high voltage potential on the S3 terminal caused by electrical circuit design that has no electrical insulation between power line and communication signal line. Therefore, please turn off the main power supply when servicing. And do not touch the S1, S2, S3 terminals when the power is energized. If isolator should be used between indoor unit and outdoor unit, please use 3-pole type.
- In below - 20°C condition, it needs at least 12hr stand by to operate in order to warm the electrical parts.

Never splice the power cable or the indoor-outdoor connection cable, otherwise it may result in a smoke, a fire or communication failure.

INDOOR-OUTDOOR CONNECTING CABLE (SHW230)

Cross section of cable	Wire size (mm ²)	Number of wires	Polarity	L (m)*6
Round	2.5	3	Clockwise : S1-S2-S3 * Pay attention to stripe of yellow and green	(30) *2
Flat	2.5	3	Not applicable (Because center wire has no cover finish)	Not applicable *5
Flat	1.5	4	From left to right : S1-Open-S2-S3	(18) *3
Round	2.5	4	Clockwise : S1-S2-S3-Open * Connect S1 and S3 to the opposite angle	(30) *4

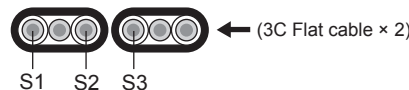
*1 : Power supply cords of appliances shall not be lighter than design 60245 IEC or 227 IEC.

*2 : In case that cable with stripe of yellow and green is available.

*3 : In case of regular polarity connection (S1-S2-S3), wire size is 1.5 mm².

*4 : In case of regular polarity connection (S1-S2-S3).

*5 : In the flat cables are connected as this picture, they can be used up to 30 m.



*6 : Mentioned cable length is just a reference value.

It may be different depending on the condition of installation, humidity or materials, etc.

Be sure to connect the indoor-outdoor connecting cables directly to the units (no intermediate connections).

Intermediate connections can lead to communication error if water enters the cables and causes insufficient insulation to ground or a poor electrical contact at the intermediate connection point.

8. Test run (Only for Air-Conditioners)

8.1. Before test run

- ▶ After completing installation and the wiring and piping of the indoor and outdoor units, check for refrigerant leakage, looseness in the power supply or control wiring, wrong polarity, and no disconnection of one phase in the supply.
- ▶ Use a 500-volt megohmmeter to check that the resistance between the power supply terminals and ground is at least 1 MΩ.
- ▶ Do not carry out this test on the control wiring (low voltage circuit) terminals.

⚠ Warning:

Do not use the outdoor unit if the insulation resistance is less than 1 MΩ.

Insulation resistance

After installation or after the power source to the unit has been cut for an extended period, the insulation resistance will drop below 1 MΩ due to refrigerant accumulating in the compressor. This is not a malfunction. Perform the following procedures.

1. Remove the wires from the compressor and measure the insulation resistance of the compressor.
2. If the insulation resistance is below 1 MΩ, the compressor is faulty or the resistance dropped due to the accumulation of refrigerant in the compressor.
3. After connecting the wires to the compressor, the compressor will start to warm up after power is supplied. After supplying power for the times indicated below, measure the insulation resistance again.

- The insulation resistance drops due to accumulation of refrigerant in the compressor. The resistance will rise above 1 MΩ after the compressor is warmed up for 4 hours.
(The time necessary to warm up the compressor varies according to atmospheric conditions and refrigerant accumulation.)
- To operate the compressor with refrigerant accumulated in the compressor, the compressor must be warmed up at least 12 hours to prevent breakdown.
- 4. If the insulation resistance rises above 1 MΩ, the compressor is not faulty.

⚠ Caution:

- **The compressor will not operate unless the power supply phase connection is correct.**
- **Turn on the power at least 12 hours before starting operation.**
- Starting operation immediately after turning on the main power switch can result in severe damage to internal parts. Keep the power switch turned on during the operational season.

▶ **The followings must be checked as well.**

- The outdoor unit is not faulty. LED1 and LED2 on the control board of the outdoor unit flash when the outdoor unit is faulty.
- Both the gas and liquid stop valves are completely open.
- A protective sheet covers the surface of the Dip switch panel on the control board of the outdoor unit. Remove the protective sheet to operate the Dip switches easily.

8.2. Test run

8.2.1. Using SW4 in outdoor unit

SW4-1	ON	Cooling operation
SW4-2	OFF	
SW4-1	ON	Heating operation
SW4-2	ON	

- * After performing the test run, set SW4-1 to OFF.
- After power is supplied, a small clicking noise may be heard from the inside of the outdoor unit. The electronic expansion valve is opening and closing. The unit is not faulty.

- A few seconds after the compressor starts, a clanging noise may be heard from the inside of the outdoor unit. The noise is coming from the check valve due to the small difference in pressure in the pipes. The unit is not faulty.

The test run operation mode cannot be changed by Dip switch SW4-2 during the test run. (To change the test run operation mode during the test run, stop the test run by Dip switch SW4-1. After changing the test run operation mode, resume the test run by switch SW4-1.)

8.2.2. Using remote controller

Refer to the indoor unit installation manual.

Note : Occasionally, vapor that is made by the defrost operation may seem as if smoke come up from the outdoor unit.

9. Special Functions

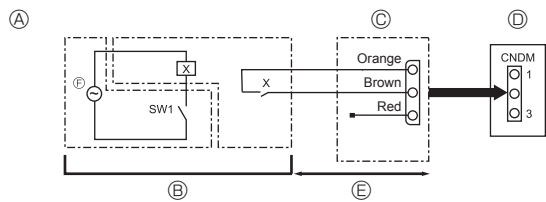


Fig. 9-1

- A Circuit diagram example (low noise mode) D Outdoor unit control board
 B On-site arrangement E Max. 10 m
 C External input adapter (PAC-SC36NA-E) F Power supply for relay
 X: Relay

9.1. Low noise mode (on-site modification) (Fig. 9-1)

By performing the following modification, operation noise of the outdoor unit can be reduced by about 3-4 dB.

The low noise mode will be activated when a commercially available timer or the contact input of an ON/OFF switch is added to the CNDM connector (option) on the control board of the outdoor unit.

- The ability varies according to the outdoor temperature and conditions, etc.
- Complete the circuit as shown when using the external input adapter (PAC-SC36NA-E). (Option)
 - SW1 ON: Low noise mode
SW1 OFF: Normal operation

Note:

When the Dip SW7-1 and SW9-1 on the control board of the outdoor unit is ON, set Dip SW7-1, SW9-1 to OFF. (This mode cannot be used together with the demand function.)

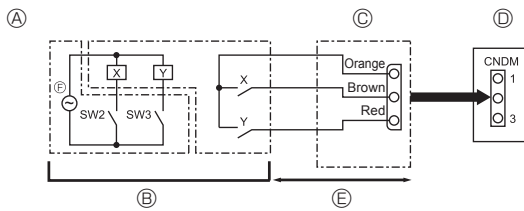


Fig. 9-2

- A Circuit diagram example (Demand function) D Outdoor unit control board
 B On-site arrangement E Max. 10 m
 C External input adapter (PAC-SC36NA-E) F Power supply for relay
 X, Y: Relay

9.2. Demand function (on-site modification) (Fig. 9-2) (Only for Air-Conditioners)

By performing the following modification, energy consumption can be reduced to 0-100% of the normal consumption.

The demand function will be activated when a commercially available timer or the contact input of an ON/OFF switch is added to the CNDM connector (option) on the control board of the outdoor unit.

- Complete the circuit as shown when using the external input adapter (PAC-SC36NA-E). (Option)
- By setting SW7-1 on the control board of the outdoor unit, the energy consumption (compared to the normal consumption) can be limited as shown below.

	SW7-1	SW2	SW3	Energy consumption
Demand function	ON	OFF	OFF	100%
		ON	OFF	75%
		ON	ON	50%
		OFF	ON	0% (Stop)

9.3. Refrigerant collecting (pump down)

When relocating or disposing of the indoor/outdoor unit, pump down the system following the procedure below so that no refrigerant is released into the atmosphere.

- Turn off the power supply (circuit breaker).
 - Connect the low-pressure valve on the gauge manifold to the charge plug (low-pressure side) on the outdoor unit.
 - Close the liquid stop valve completely.
 - Supply power (circuit breaker).
- *When power is supplied, make sure that "CENTRALLY CONTROLLED" is not displayed on the remote controller. If "CENTRALLY CONTROLLED" is displayed, the refrigerant collecting (pump down) cannot be completed normally.
- *Start-up of the indoor-outdoor communication takes about 3 minutes after the power (circuit breaker) is turned on. Start the pump-down operation 3 to 4 minutes after the power (circuit breaker) is turned on.
- Perform the refrigerant collecting operation (cooling test run).

- *Push the pump-down SWP switch (push-button type) on the control board of the outdoor unit. The compressor and ventilators (indoor and outdoor units) start operating (refrigerant collecting operation begins). (LED1 and LED2 on the control board of the outdoor unit are lit.)
- *Only push the pump-down SWP switch if the unit is stopped. However, even if the unit is stopped and the pump-down SWP switch is pushed less than 3 minutes after the compressor stops, the refrigerant collecting operation cannot be performed. Wait until the compressor has been stopped for 3 minutes and then push the pump-down SWP switch again.
- Fully close the ball valve on the gas pipe side of the outdoor unit when the pressure gauge on the gauge manifold shows 0.05 to 0 MPa [Gauge] (approx. 0.5 to 0 kgf/cm²) and quickly stop the outdoor unit.
- *If the pump-down SWP switch is pushed again, the unit stops.

*Because the unit automatically stops in about 3 minutes when the refrigerant collecting operation is completed (LED1 off, LED2 lit), be sure to quickly close the gas ball valve. However, if LED1 is lit, LED2 is off, and the unit is stopped, open the liquid stop valve completely, close the valve completely after 3 minutes or more have passed, and then repeat step ⑤. (Open the gas ball valve completely.)

*If the refrigerant collecting operation has been completed normally (LED1 off, LED2 lit), the unit will remain stopped until the power supply is turned off.

*Note that when the extension piping is very long with a large refrigerant amount, it may not be possible to perform a pump-down operation. In this case, use refrigerant recovery equipment to collect all of the refrigerant in the system.

- Turn off the power supply (circuit breaker), remove the gauge manifold, and then disconnect the refrigerant pipes.

⚠ Warning:

When pumping down the refrigerant, stop the compressor before disconnecting the refrigerant pipes.

- If the refrigerant pipes are disconnected while the compressor is operating and the stop valve (ball valve) is open, the pressure in the refrigeration cycle could become extremely high if air is drawn in, causing the pipes to burst, personal injury, etc.

9.4 Setting the temperature of the ZUBADAN flash injection function

The ZUBADAN flash injection function achieves high heating performance at low outdoor temperatures.

- The SW9-3 and SW9-4 on the control board of the outdoor unit allow setting of the temperature available for the ZUBADAN flash injection function as shown in the below table.

SW9-3	SW9-4	Outdoor temperature
OFF	OFF	3°C or less (Default setting)
OFF	ON	0°C or less
ON	OFF	-3°C or less
ON	ON	-6°C or less

10. System control

10.1. Air-Conditioners

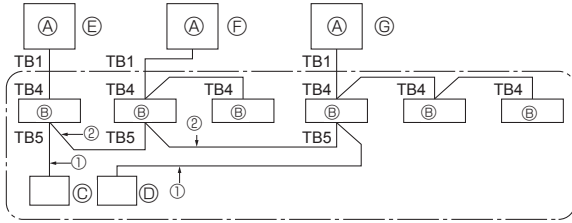
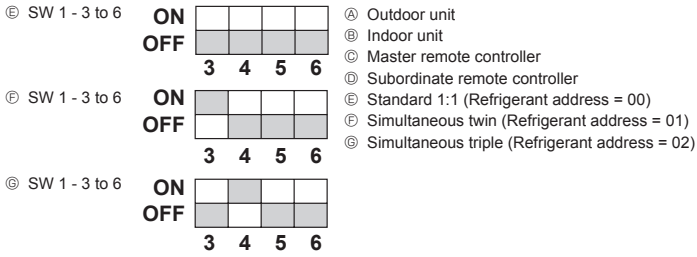


Fig. 10-1

* Set the refrigerant address using the Dip switch of the outdoor unit.

① Wiring from the Remote Control

This wire is connected to TB5 (terminal board for remote controller) of the indoor unit (non-polar).

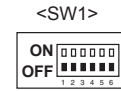
② When a Different Refrigerant System Grouping is Used.

Up to 16 refrigerant systems can be controlled as one group using the slim MA remote controller.

Note:

In single refrigerant system (twin/triple), there is no need of wiring ②.

SW1
Function table



	Function	Operation according to switch setting	
		ON	OFF
SW1 function settings	1 Compulsory defrosting	Start	Normal
	2 Error history clear	Clear	Normal
	3 Refrigerant system address setting	Settings for outdoor unit addresses 0 to 15	
	4		
	5		
	6		

10.2. Air to Water Heat Pump

Set the refrigerant address using the Dip switch of the outdoor unit.

SW1 Function Setting

SW1 Setting	Refrigerant address	SW1 Setting	Refrigerant address
ON OFF 3 4 5 6 7	00	ON OFF 3 4 5 6 7	03
ON OFF 3 4 5 6 7	01	ON OFF 3 4 5 6 7	04
ON OFF 3 4 5 6 7	02	ON OFF 3 4 5 6 7	05

Note:

a) Up to 6 units can be connected.

b) Select one single model for all units.

c) For Dip switch settings for indoor unit, refer to the indoor unit's installation manual.

11. Specifications

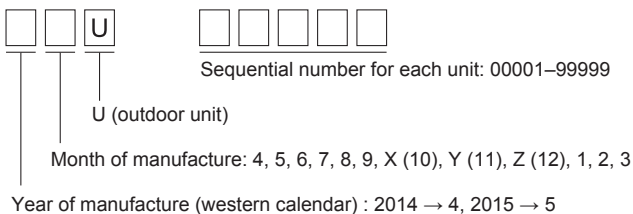
Sound level (Measured under rated operating frequency.)

			SHW80VHA	SHW112Y/VHA	SHW140YHA	SHW230YKA2
SPL	Heating	dB(A)	51	52	52	59
	Cooling	dB(A)	50	51	51	58
PWL	Heating	dB(A)	69	70	70	75

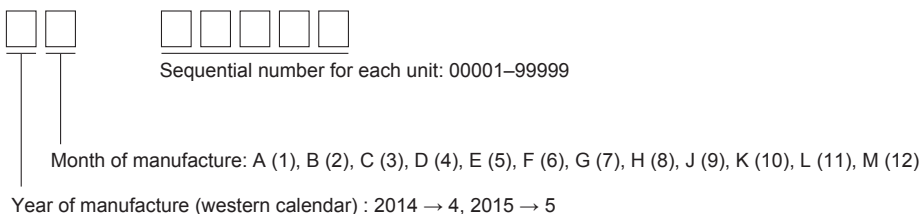
12. Serial number

■ The serial number is indicated on the SPEC NAME PLATE.

• SHW230



• SHW80, 112, 140



Inhalt

1. Sicherheitsvorkehrungen	13	7. Elektroarbeiten	19
2. Aufstellort	14	8. Testlauf (nur für Klimaanlage).....	21
3. Einbau der Außenanlage	16	9. Spezielle Funktionen	22
4. Installation der Kältemittelrohrleitung	16	10. Kontrolle des Systems.....	23
5. Verrohrung der Dränage.....	19	11. Technische Daten	23
6. Wasserverrohrung (nur für Luft/Wasser-Wärmepumpe)	19		

Hinweis: Dieses Symbolzeichen ist nur für EU-Länder bestimmt.



Dieses Symbolzeichen entspricht der Richtlinie 2012/19/EU Artikel 14 Informationen für die Nutzer und Anhang IX.

Ihr MITSUBISHI ELECTRIC-Produkt wurde unter Einsatz von qualitativ hochwertigen Materialien und Komponenten konstruiert und gefertigt, die für Recycling geeignet sind.

Dieses Symbol bedeutet, dass elektrische und elektronische Geräte am Ende ihrer Nutzungsdauer von Hausmüll getrennt zu entsorgen sind.

Bitte entsorgen Sie dieses Gerät bei Ihrer kommunalen Sammelstelle oder im örtlichen Recycling-Zentrum.

In der Europäischen Union gibt es unterschiedliche Sammelsysteme für gebrauchte Elektrik- und Elektronikgeräte.

Bitte helfen Sie uns, die Umwelt zu erhalten, in der wir leben!

⚠ Vorsicht:

- Lassen Sie R410A nicht in die Atmosphäre ab:

1. Sicherheitsvorkehrungen

- ▶ Vor dem Einbau der Anlage vergewissern, dass Sie alle Informationen über "Sicherheitsvorkehrungen" gelesen haben.
- ▶ Vor Anschluss an das System Mitteilung an Stromversorgungsunternehmen machen oder dessen Genehmigung einholen.
- ▶ PUAH-SHW230YKA2
"Dieses Gerät entspricht IEC 61000-3-12, vorausgesetzt die S_{sc} -Kurzschlussleistung ist größer oder gleich der S_{sc} (*1) am Schnittstellenpunkt zwischen der Versorgung des Anwenders und dem öffentlichen Stromnetz. Es liegt in der Verantwortung des Installateurs oder des Anwenders der Anlage, wenn nötig in Absprache mit dem Netzbetreiber, dass die Anlage ausschließlich an einer Versorgung mit einer höheren oder mit der gleichen S_{sc} Kurzschlussleistung als/wie der S_{sc} (*1) angeschlossen wird."

Modell	S_{sc} (MVA)
PUAH-SHW230YKA2	1,35

⚠ Warnung:

Beschreibt Vorkehrungen, die beachtet werden müssen, um den Benutzer vor der Gefahr von Verletzungen oder tödlichen Unfällen zu bewahren.

⚠ Vorsicht:

Beschreibt Vorkehrungen, die beachtet werden müssen, damit an der Anlage keine Schäden entstehen.

Erläutern Sie dem Kunden nach Abschluss der Installationsarbeiten die "Sicherheitsvorkehrungen" sowie die Nutzung und Wartung der Anlage entsprechend den Informationen in der Bedienungsanleitung und führen Sie einen Testlauf durch, um sicherzustellen, dass die Anlage ordnungsgemäß funktioniert. Geben Sie dem Benutzer sowohl die Installations- als auch die Bedienungsanleitung zur Aufbewahrung. Diese Anleitungen sind auch den nachfolgenden Besitzern der Anlage weiterzugeben.

⚠ : Verweist auf einen Teil der Anlage, der geerdet werden muss.

⚠ Warnung:

Sorgfältig die auf der Hauptanlage aufgetragenen Aufschriften lesen.

⚠ Warnung:

- Das Gerät darf nicht vom Benutzer installiert werden. Bitten Sie Ihren Fachhändler oder einen geprüften Fachtechniker, die Installation der Anlage vorzunehmen. Wenn das Gerät unsachgemäß installiert wurde, kann dies Wasseraustritt, Stromschläge oder einen Brand zur Folge haben.
- Folgen Sie bei der Installation den Anweisungen der Installationsanleitung und verwenden Sie Werkzeuge und Rohrleitungskomponenten, die ausdrücklich für den Einsatz von Kältemittel R410A ausgelegt sind. Das Kältemittel R410A ist in dem HFC-System 1,6-fach höher mit Druck beaufschlagt als übliche Kältemittel. Wenn Rohrleitungskomponenten verwendet werden, die nicht für das Kältemittel R410A ausgelegt sind und die Anlage falsch installiert wird, können Rohrleitungen platzen und Sachschäden oder Verletzungen verursachen. Außerdem kann dies zu Wasseraustritt, Stromschlag oder einen Brand zur Folge haben.
- Die Anlage muss entsprechend der Anweisungen installiert werden, um das Schadsensrisiko bei Erdbeben, Taifunen oder starken Winden zu minimieren. Ein falsch installiertes Gerät kann herabfallen und Sachschäden oder Verletzungen verursachen.
- Die Anlage muss sicher an einem Bauteil installiert werden, das das Gewicht der Anlage tragen kann. Wenn die Anlage an einem zu schwachen Bauteil befestigt wird, besteht die Gefahr, dass sie herabfällt und Sachschäden oder Verletzungen verursacht.
- Wenn die Außenanlage in einem kleinen Raum installiert wird, müssen Maßnahmen ergriffen werden, damit im Fall eines Kältemittelaustritts die Kältemittelkonzentration in dem Raum den Sicherheitsgrenzwert nicht überschreitet. Wenden Sie bezüglich geeigneter Maßnahmen zur Einhaltung der zulässigen Konzentrationen an einen Fachhändler. Bei Kühlmittelaustritt und daraus resultierender Überschreitung des Grenzwerts können in dem Raum Gefahren aufgrund von Sauerstoffmangel auftreten.
- Lüften Sie den Raum, wenn bei Betrieb Kältemittel austritt. Wenn das Kältemittel mit einer Flamme in Kontakt kommt, werden giftige Gase freigesetzt.
- Alle Elektroarbeiten sind von einem qualifizierten Fachelektriker gemäß der örtlichen Vorschriften und der Anweisungen dieser Anleitung auszuführen. Die Geräte müssen über eigene Stromkreise verfügen und es müssen die richtige Betriebsspannung und die richtigen Leistungsschalter verwendet werden. Stromleitungen mit unzureichender Kapazität oder falsch ausgeführte Elektroarbeiten können Stromschläge oder Brände verursachen.
- Verwenden Sie zur Verbindung der Kältemittelrohrleitungen für nahtlose Rohre aus Kupfer und Kupferlegierungen Kupfer-Phosphor C1220. Wenn die Rohrlei-

tungen nicht korrekt verbunden sind, ist das Gerät nicht ordnungsgemäß geerdet, was Stromschläge zur Folge haben kann.

- Verwenden Sie zur Verdrahtung nur die angegebenen Kabel. Die Anschlüsse müssen fest und sicher ohne Zugbelastung auf den Klemmen vorgenommen werden. Spießen Sie außerdem niemals die Kabel für die Verdrahtung (außer es wird in diesem Dokument entsprechend angegeben). Wenn die Kabel falsch angeschlossen oder installiert sind, kann dies Überhitzung oder einen Brand zur Folge haben.
- Die Abdeckplatte der Klemmleiste der Außenanlage muss fest angebracht werden. Wenn die Abdeckplatte falsch montiert ist und Staub und Feuchtigkeit in die Anlage eindringen, kann dies einen Stromschlag oder Brand zur Folge haben.
- Verwenden Sie nach der Installation, dem Umsetzen oder Warten der Außenanlage nur das angegebene Kältemittel (R410A) zum Füllen der Kältemittelleitungen. Vermischen Sie es nicht mit anderem Kältemittel und lassen Sie nicht zu, dass Luft in den Leitungen zurückbleibt. Wenn sich Luft mit dem Kältemittel vermischt, kann dies zu einem ungewöhnlich hohen Druck in der Kältemittelleitung führen und eine Explosion oder andere Gefahren verursachen. Die Verwendung eines anderen als des für das System angegebenen Kältemittels führt zu mechanischem Versagen, einer Fehlfunktion des Systems oder einer Beschädigung des Geräts. Im schlimmsten Fall kann sie ein schwerwiegendes Hindernis für die Aufrechterhaltung der Produktsicherheit darstellen.
- Verwenden Sie nur von Mitsubishi Electric zugelassenes Zubehör und lassen Sie dieses durch Ihren Fachhändler oder einen autorisierten Techniker einbauen. Wenn Zubehör falsch installiert wurde, kann dies zu Wasseraustritt, Stromschlag oder einem Brand führen.
- Verändern Sie die Anlage nicht. Wenden Sie sich für Reparaturen an Ihren Fachhändler. Wenn Änderungen oder Reparaturen falsch ausgeführt wurden, kann dies zu Wasseraustritt, Stromschlag oder einem Brand führen.
- Der Benutzer darf niemals versuchen, die Anlage zu reparieren oder an einem anderen Ort aufzustellen. Wenn das Gerät unsachgemäß installiert wurde, kann dies Wasseraustritt, Stromschläge oder einen Brand zur Folge haben. Wenn die Außenanlage repariert oder transportiert werden muss, wenden Sie sich an Ihren Fachhändler oder einen autorisierten Techniker.
- Prüfen Sie die Anlage nach Abschluss der Installation auf Kältemittelaustritt. Wenn Kältemittel in den Raum gelangt und mit der Flamme einer Heizung oder einer transportablen Kochstelle in Berührung kommt, werden giftige Gase freigesetzt.

1.1. Vor der Installation

⚠ Vorsicht:

- Setzen Sie die Anlage nicht in unüblichem Umfeld ein. Wenn die Außenanlage in Bereichen installiert ist, in denen sie Rauch, austretendem Öl (einschließlich Maschinenöl) oder Schwefeldämpfen ausgesetzt ist, oder in Gegenden mit hohem Salzgehalt, etwa am Meer, oder in Bereichen, in denen die Anlage mit Schnee bedeckt wird, kann dies erhebliche Leistungsbeeinträchtigungen und Schäden an den Geräteteilen im Inneren der Anlage zur Folge haben.
- Installieren Sie die Anlage nicht in Bereichen, in denen entzündliche Gase austreten, hergestellt werden, ausströmen oder sich ansammeln können. Wenn sich entzündliche Gase im Bereich der Anlage ansammeln, kann dies zu einem Brand oder einer Explosion führen.

- Während des Heizens entsteht an der Außenanlage Kondenswasser. Sorgen Sie für eine Wasserableitung rund um die Außenanlage, wenn Kondenswasser Schäden verursachen kann.
- Bei der Installation der Anlage in Krankenhäusern oder Kommunikationseinrichtungen müssen Sie mit Lärmbelastung und elektronischen Störungen rechnen. Inverter, Haushaltsgeräte, medizinische Hochfrequenzapparate und Telekommunikationseinrichtungen können Fehlfunktionen oder den Ausfall der Außenanlage verursachen. Die Außenanlage kann auch medizinische Geräte in Mitleidenschaft ziehen, die medizinische Versorgung sowie Kommunikations-einrichtungen durch Beeinträchtigung der Bildschirmdarstellung stören.

1. Sicherheitsvorkehrungen

1.2. Vor der Installation (Transport)

⚠ Vorsicht:

- Beim Transportieren oder Einbauen der Anlagen besondere Sorgfalt walten lassen. Zum Transport der Anlage sind mindestens zwei Personen nötig, da die Anlage 20 kg oder mehr wiegt. Tragen Sie die Anlage nicht an den Verpackungsbändern. Beim Entnehmen der Anlage aus der Verpackung und beim Aufstellen Schutzhandschuhe tragen, um Verletzungen durch Rippen oder scharfe Kanten anderer Teile zu vermeiden.
- Sorgen Sie für eine ordnungsgemäße Entsorgung der Verpackungsmaterialien. Verpackungsmaterialien wie Nägel sowie andere metallene oder hölzerne Teile können Verletzungen verursachen.

- Die Bodenplatte und die Befestigungsteile der Außenanlage müssen regelmäßig auf Festigkeit, Risse und andere Schäden geprüft werden. Wenn solche Schäden nicht behoben werden, kann die Anlage herabfallen und dabei Verletzungen oder Sachschäden verursachen.
- Die Außenanlage darf nicht mit Wasser gereinigt werden. Dadurch besteht die Gefahr eines Stromschlags.
- Alle Konusmuttern müssen mit einem Drehmomentschlüssel entsprechend den technischen Anweisungen angezogen werden. Wenn die Mutter zu fest angezogen werden, besteht die Gefahr, dass die Konusmutter nach einer gewissen Zeit bricht und Kältemittel austritt.

1.3. Vor den Elektroarbeiten

⚠ Vorsicht:

- Installieren Sie auf jeden Fall Leistungsschalter. Andernfalls besteht die Gefahr von Stromschlägen.
- Verwenden Sie für die Netzleitungen handelsübliche Kabel mit ausreichender Kapazität. Andernfalls besteht die Gefahr von Kurzschlüssen, Überhitzung oder eines Brandes.
- Achten Sie bei der Installation der Netzleitungen darauf, dass keine Zugspannung für die Kabel entsteht. Wenn sich die Anschlüsse lösen, besteht

- die Gefahr, dass die Kabel aus den Klemmen rutschen oder brechen; dies kann Überhitzung oder einen Brand verursachen.
- Die Anlage muss geerdet werden. Schließen Sie die Erdungsleitung nicht an Gas- oder Wasserleitungen, Blitzableitern oder Telefonerdungsleitungen an. Wenn die Anlage nicht ordnungsgemäß geerdet ist, besteht die Gefahr von Stromschlägen.
- Verwenden Sie Leistungsschalter (Erdschlussunterbrecher, Trennschalter (+B-Sicherung) und gussgekapelte Leistungsschalter) mit der angegebenen Kapazität. Wenn die Leistungsschalterkapazität größer ist als vorgeschrieben, kann dies einen Ausfall der Klimaanlage oder einen Brand zur Folge haben.

1.4. Vor dem Testlauf (nur für Klimaanlage)

⚠ Vorsicht:

- Schalten Sie den Netzschalter mehr als 12 Stunden vor Betriebsbeginn ein. Ein Betriebsbeginn unmittelbar nach Einschalten des Netzschalters kann zu schwerwiegenden Schäden der Innenteile führen. Lassen Sie während der Betriebsperiode den Netzschalter eingeschaltet.
- Prüfen Sie vor Betriebsbeginn, ob alle Platten, Sicherungen und weitere Schutzvorrichtungen ordnungsgemäß installiert sind. Rotierende, heiße oder unter Hochspannung stehende Bauteile können Verletzungen verursachen.

- Berühren Sie Schalter nicht mit nassen Händen. Dadurch besteht die Gefahr eines Stromschlags.
- Berühren Sie die Kältemittelrohre während des Betriebs nicht mit bloßen Händen. Die Kältemittelrohrleitungen sind je nach Zustand des durchfließenden Kältemittels heiß oder kalt. Beim Berühren der Rohre besteht die Gefahr von Verbrennungen oder Erfrierungen.
- Nach Beendigung des Betriebs müssen mindestens fünf Minuten verstreichen, ehe der Hauptschalter ausgeschaltet wird. Andernfalls besteht die Gefahr von Wasseraustritt oder Ausfall der Anlage.

1.5. Einsatz einer Außenanlage mit dem Kältemittel R410A

⚠ Vorsicht:

- Verwenden Sie zur Verbindung der Kältemittelrohrleitungen für nahtlose Rohre aus Kupfer und Kupferlegierungen Kupfer-Phosphor C1220. Vergewissern Sie sich, dass die Rohre von innen sauber sind und keine schädlichen Verunreinigungen wie Schwefelverbindungen, Oxidationsmittel, Fremdkörper oder Staub enthalten. Verwenden Sie Rohre mit der vorgeschriebenen Stärke. (Siehe 4.1.) Beachten Sie die folgenden Hinweise, wenn Sie vorhandene Rohre wiederverwenden, mit denen das Kältemittel R22 transportiert wurde.
- Ersetzen Sie die vorhandenen Konusmuttern, und weiten Sie die zur Aufweitung bestimmten Bereiche erneut auf.
- Verwenden Sie keine dünnen Rohre. (Siehe 4.1.)
- Lagern Sie die für die Installation benötigten Rohre in einem geschlossenen Raum, und lassen Sie beide Enden der Rohre bis unmittelbar vor dem Hartlöten abgedichtet. (Belassen Sie Winkelstücke usw. in ihren Verpackungen.) Wenn Staub, Fremdkörper oder Feuchtigkeit in die Kältemittelleitungen eindringen, besteht die Gefahr, dass sich das Öl zersetzt oder der Kompressor ausfällt.
- Tragen Sie eine kleine Menge Esteröl/Etheröl oder Alkylbenzol als Kältemittelöl auf die Konusanschlüsse auf. Wenn das Kältemittelöl mit Mineralöl gemischt wird, besteht die Gefahr, dass sich das Öl zersetzt.

- Verwenden Sie kein anderes Kältemittel als das Kältemittel R410A. Wenn ein anderes Kältemittel verwendet wird, führt das Chlor dazu, dass sich das Öl zersetzt.
- Verwenden Sie die folgenden Werkzeuge, die speziell für die Verwendung mit Kältemittel R410A ausgelegt sind. Die folgenden Werkzeuge sind für die Verwendung des Kältemittels R410A erforderlich. Wenden Sie sich bei weiteren Fragen an Ihren Fachhändler.

Werkzeuge (für R410A)	
Kaliber des Rohrverteilers	Aufweitungswerkzeug
Füllschlauch	Lehre für die Größenanpassung
Gasleckdetektor	Netzteil der Vakuumpumpe
Drehmomentschlüssel	Elektronische Kältemittelfüllstandsanzeige

- Verwenden Sie unbedingt die richtigen Werkzeuge. Wenn Staub, Fremdkörper oder Feuchtigkeit in die Kältemittelleitungen eindringen, besteht die Gefahr, dass sich das Kältemittelöl zersetzt.
- Verwenden Sie keinen Füllzylinder. Bei Verwendung eines Füllzylinders wird die Zusammensetzung des Kältemittels geändert und damit der Wirkungsgrad verringert.

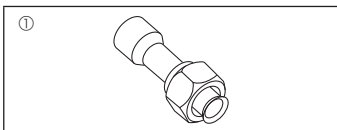


Fig. 1-1

1.6. Zubehör für die Außenanlage (Fig. 1-1) (SHW230)

Bei den auf der linken Seite dargestellten Teilen handelt es sich um Zubehör dieser Anlage, das an der Innenseite der Bedienungsplatte befestigt ist.

- ① Verbindungsrohr.....x1

2. Aufstellort

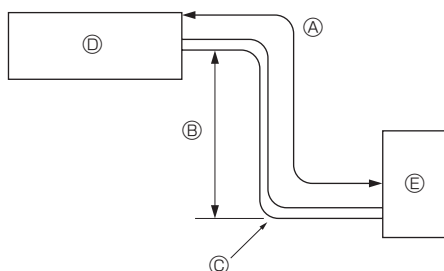


Fig. 2-1

2.1. Rohrleitung für Kältemittel (Fig. 2-1)

- ▶ Vergewissern, dass der Höhenunterschied zwischen Innen- und Außenanlage, die Länge der Kältemittelrohrleitung und die Anzahl der Krümmen in der Rohrleitung innerhalb der Grenzwerte der nachstehenden Tabelle liegen.

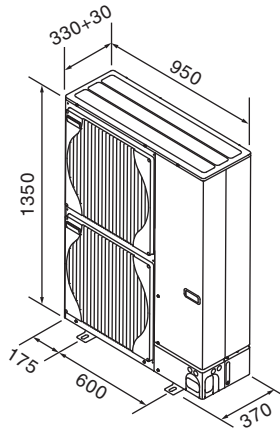
Modelle	Ⓐ Länge Rohrleitung (eine Richtung)	Ⓑ Höhenunterschied	Ⓒ Zahl der Krümmen (eine Richtung)
SHW80, 112, 140	2 m - 75 m	Max. 30 m	Max. 15
SHW230	2 m - 80 m	Max. 30 m	Max. 15

- Die Begrenzung der Höhenunterschiede gilt unabhängig davon, ob sich das Innen- oder das Außengerät in der höheren Position befindet.

- Ⓓ Innenanlage
- Ⓔ Außenanlage

2. Aufstellort

■ SHW80, 112, 140



■ SHW230

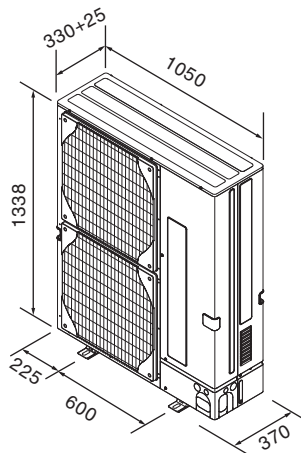


Fig. 2-2

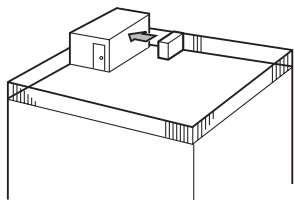


Fig. 2-3

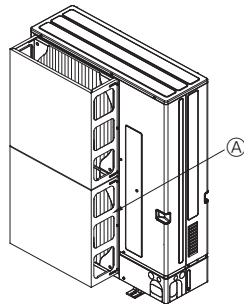


Fig. 2-4

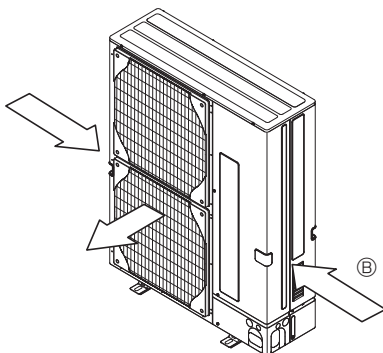


Fig. 2-5

2.2. Auswahl des Aufstellorts für die Außenanlage

- Vermeiden Sie Aufstellorte, die direkter Sonneneinstrahlung oder anderen Hitzequellen ausgesetzt sind.
- Wählen Sie den Aufstellort so, dass von der Anlage ausgehende Geräusche die Nachbarschaft nicht stören.
- Wählen Sie den Aufstellort so, dass der Netzanschluss und die Verlegung der Rohre zur Innenanlage einfach zu bewerkstelligen sind.
- Vermeiden Sie Aufstellorte, an denen entzündliche Gase austreten, hergestellt werden, ausströmen oder sich ansammeln.
- Beachten Sie, dass bei Betrieb der Anlage Wasser heruntertropfen kann.
- Wählen Sie einen waagerechten Aufstellort, der dem Gewicht und den Schwingungen der Anlage gewachsen ist.
- Vermeiden Sie Aufstellorte, an denen die Anlage mit Schnee bedeckt werden kann. In Gegenden, in denen mit schwerem Schneefall zu rechnen ist, müssen spezielle Vorkehrungen getroffen werden, wie die Wahl eines höheren Aufstellorts oder die Montage einer Abdeckhaube vor der Öffnung für die Luftansaugung, um zu vermeiden, dass Schnee die Luftansaugung blockiert oder direkt hineingeblassen wird. Dadurch kann der Luftstrom vermindert und so Fehlfunktionen verursacht werden.
- Vermeiden Sie Aufstellorte, die Öl, Dampf oder Schwefelgas ausgesetzt sind.
- Benutzen Sie zum Transport der Außenanlage die vier Tragegriffe. Wenn die Anlage an der Unterseite getragen wird, besteht die Gefahr, dass Hände oder Finger gequetscht werden.

2.3. Außenmaße (Außenanlage) (Fig. 2-2)

2.4. Freiraum für Belüftung und Bedienung

2.4.1. Aufstellung an windanfälligen Aufstellorten

Bei Anbringung der Außenanlage auf dem Dach oder einem anderen, nicht vor Wind geschützten Ort, richten Sie die Luftaustrittsöffnung so aus, dass sie nicht unmittelbar starkem Wind ausgesetzt ist. Wenn starker Wind direkt in die Luftaustrittsöffnung bläst, kann dadurch der normale Luftstrom beeinträchtigt werden und so Fehlfunktionen entstehen. Im Folgenden zeigen drei Beispiele Vorkehrungen gegen starken Windeinfluss.

- ① Richten Sie die Luftaustrittsöffnung mit einem Abstand von etwa 50 cm auf die nächstgelegene Wand aus. (Fig. 2-3)
- ② Installieren Sie eine als Sonderzubehör erhältliche Luftauslassführung, wenn die Anlage an einem Aufstellort installiert ist, an dem die Gefahr besteht, dass starker Wind direkt in die Luftaustrittsöffnung bläst. (Fig. 2-4)
 - Ⓐ Luftauslassschutzhülse
- ③ Bringen Sie die Anlage so an, dass die Abluft aus der Luftaustrittsöffnung im rechten Winkel zu derjenigen Richtung geführt wird, aus der saisonal bedingt starker Wind bläst. (Fig. 2-5)
 - Ⓑ Windrichtung

2.4.2. Installation einer einzelnen Außenanlage (Siehe letzte Seite)

Die folgenden Mindestabmessungen gelten, außer für Max., was für Maximalabmessungen steht, wie angezeigt.

In jedem Einzelfall die jeweiligen Zahlenangaben beachten.

- ① Hindernisse nur auf der Rückseite (Fig. 2-6)
- ② Hindernisse nur auf der Rück- und Oberseite (Fig. 2-7)
- ③ Hindernisse nur auf der Rückseite und auf beiden Seiten (Fig. 2-8)
- ④ Hindernisse nur auf der Vorderseite (Fig. 2-9)
 - * Bei Verwendung als Sonderzubehör erhältlichen Luftauslassführung muss der Freiraum 500 mm betragen.
- ⑤ Hindernisse nur auf der Vorder- und Rückseite (Fig. 2-10)
 - * Bei Verwendung als Sonderzubehör erhältlichen Luftauslassführung muss der Freiraum 500 mm oder mehr betragen.
- ⑥ Hindernisse nur auf der Rückseite, beiden Seiten und der Oberseite (Fig. 2-11)
 - Setzen Sie keine als Sonderzubehör erhältlichen Luftauslassführungen dazu ein, den Luftstrom nach oben umzuleiten.

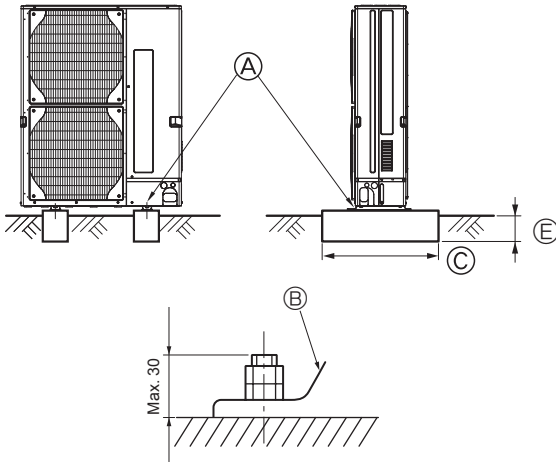
2.4.3. Installation mehrerer Außenanlagen (Siehe letzte Seite)

Zwischen den Geräten einen Abstand von mindestens 10 mm einräumen.

- ① Hindernisse nur auf der Rückseite (Fig. 2-12)
- ② Hindernisse nur auf der Rück- und Oberseite (Fig. 2-13)
 - Es dürfen nicht mehr als drei Anlagen nebeneinander installiert werden. Lassen Sie zusätzlich einen Freiraum wie dargestellt.
 - Setzen Sie keine als Sonderzubehör erhältlichen Luftauslassführungen dazu ein, den Luftstrom nach oben umzuleiten.
- ③ Hindernisse nur auf der Vorderseite (Fig. 2-14)
 - * Bei Verwendung als Sonderzubehör erhältlichen Luftauslassführung muss der Freiraum 1000 mm betragen.
- ④ Hindernisse nur auf der Vorder- und Rückseite (Fig. 2-15)
 - * Bei Verwendung als Sonderzubehör erhältlichen Luftauslassführung muss der Freiraum 1000 mm betragen.
- ⑤ Einzelanlagen in paralleler Anordnung (Fig. 2-16)
 - * Bei Verwendung als Sonderzubehör erhältlichen Luftauslassführung zur Umleitung des Luftstroms nach oben muss der Freiraum mindestens 1000 mm betragen.
- ⑥ Mehrfachanlagen in paralleler Anordnung (Fig. 2-17)
 - * Bei Verwendung als Sonderzubehör erhältlichen Luftauslassführung zur Umleitung des Luftstroms nach oben muss der Freiraum mindestens 1500 mm betragen.
- ⑦ Anlagen in gestapelter Anordnung (Fig. 2-18)
 - Es können maximal zwei Anlagen übereinander gestapelt werden.
 - Es dürfen nicht mehr als zwei Anlagenstapel nebeneinander installiert werden. Lassen Sie zusätzlich einen Freiraum wie dargestellt.

3. Einbau der Außenanlage

(mm)



- Ⓐ M10 (3/8") Schraube
- Ⓑ Bodenplatte
- Ⓒ So lang wie möglich.
- Ⓓ Entlüftungsöffnung
- Ⓔ Tief in den Grund einsetzen

- Die Anlage immer auf fester, ebener Oberfläche aufstellen, um Rattergeräusche beim Betrieb zu vermeiden. (Fig. 3-1)

<Spezifikationen des Fundaments>

Fundamentschraube	M10 (3/8")
Betondicke	120 mm
Schraubenlänge	70 mm
Tragfähigkeit	320 kg

- Vergewissern, dass die Länge der Fundamentankerschraube innerhalb von 30 mm von der Unterseite der Bodenplatte liegt.
- Die Bodenplatte der Anlage mit 4 M10 Fundamentankerbolzen an tragfähigen Stellen sichern.

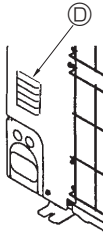
Installation der Außenanlage

- Die Entlüftungsöffnung darf nicht blockiert werden. Wenn die Entlüftungsöffnung blockiert ist, wird der Betrieb behindert, und es besteht die Gefahr des Ausfalls der Anlage.
- Verwenden Sie bei der Installation der Anlage zusätzlich zur Anlagenbodenplatte bei Bedarf die Installationsöffnungen auf der Rückseite der Anlage zum Befestigen von Elektroleitungen usw. Verwenden Sie zum Installieren vor Ort Blechschauben (ø 5 × 15 mm oder weniger).

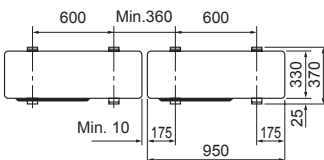
⚠ Warnung:

- Die Anlage muss sicher an einem Bauteil installiert werden, das das Gewicht der Anlage tragen kann. Wenn die Anlage an einem zu schwachen Bauteil befestigt wird, besteht die Gefahr, dass sie herabfällt und Sachschäden oder Verletzungen verursacht.
- Die Anlage muss entsprechend der Anweisungen installiert werden, um das Schadensrisiko bei Erdbeben, Taifunen oder starken Winden zu minimieren. Ein falsch installiertes Gerät kann herabfallen und Sachschäden oder Verletzungen verursachen.

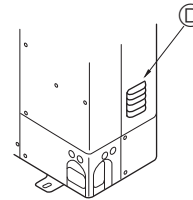
■ SHW80, 112, 140



■ SHW80, 112, 140



■ SHW230



■ SHW230

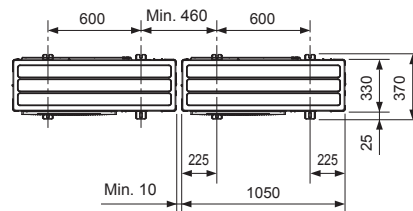


Fig. 3-1

4. Installation der Kältemittelrohrleitung

4.1. Vorsichtsmaßnahmen bei Geräten, in denen das Kältemittel R410A verwendet wird

- Lesen Sie Abschnitt 1.5 für Vorsichtsmaßnahmen für den Einsatz einer Außenanlage mit dem Kältemittel R410A.
- Tragen Sie eine kleine Menge Esteröl/Etheröl oder Alkylbenzol als Kältemittelöl auf die Konusanschlüsse auf.
- Verwenden Sie zur Verbindung der Kältemittelrohrleitungen für nahtlose Rohre aus Kupfer und Kupferlegierungen Kupfer-Phosphor C1220. Verwenden Sie Kältemittelrohre mit Stärken wie in der folgenden Tabelle angegeben. Vergewissern Sie sich, dass die Rohre von innen sauber sind und keine schädlichen Verunreinigung wie Schwefelverbindungen, Oxidationsmittel, Fremdkörper oder Staub enthalten. Verwenden Sie zum Hartlöten der Rohrleitungen ausschließlich nichtoxidierendes Hartlot, anderenfalls wird der Kompressor beschädigt.

⚠ Warnung:

Verwenden Sie nach der Installation, dem Umsetzen oder Warten der Außenanlage nur das angegebene Kältemittel (R410A) zum Füllen der Kältemittelleitungen. Vermischen Sie es nicht mit anderem Kältemittel und lassen Sie nicht zu, dass Luft in den Leitungen zurückbleibt.

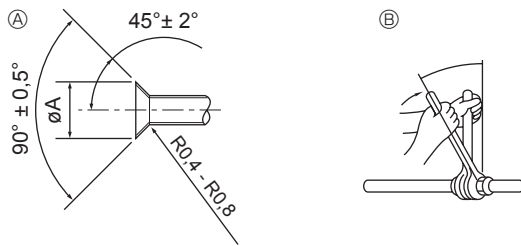
Wenn sich Luft mit dem Kältemittel vermischt, kann dies zu einem ungewöhnlich hohen Druck in der Kältemittelleitung führen und eine Explosion oder andere Gefahren verursachen.

Die Verwendung eines anderen als des für das System angegebenen Kältemittels führt zu mechanischem Versagen, einer Fehlfunktion des Systems oder einer Beschädigung des Geräts. Im schlimmsten Fall kann sie ein schwerwiegendes Hindernis für die Aufrechterhaltung der Produktsicherheit darstellen.

Rohrgröße (mm)	ø6,35	ø9,52	ø12,7	ø15,88	ø19,05	ø22,2	ø25,4	ø28,58
Stärke (mm)	0,8	0,8	0,8	1,0	1,0	1,0	1,0	1,0

- Verwenden Sie keine dünneren Rohre als oben angegeben.
- Verwenden Sie 1/2 H- oder H-Rohre, wenn der Durchmesser 19,05 mm oder mehr beträgt.

4. Installation der Kältemittelrohrleitung



- Ⓐ Abmessungen der Aufweitungsschnitte
Ⓑ Anzugsdrehmoment für die Konusmutter

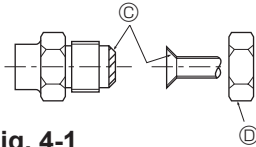


Fig. 4-1

Ⓐ (Fig. 4-1)

Kupferrohr Außendurchmesser (mm)	Aufweitungsabmessungen øA Abmessungen (mm)
ø6,35	8,7 - 9,1
ø9,52	12,8 - 13,2
ø12,7	16,2 - 16,6
ø15,88	19,3 - 19,7
ø19,05	23,6 - 24,0

Ⓑ (Fig. 4-1)

Kupferrohr Außendurchmesser (mm)	Konusmutter Außendurchmesser (mm)	Anzugsdrehmoment (N·m)
ø6,35	17	14 - 18
ø6,35	22	34 - 42
ø9,52	22	34 - 42
ø12,7	26	49 - 61
ø12,7	29	68 - 82
ø15,88	29	68 - 82
ø15,88	36	100 - 120
ø19,05	36	100 - 120

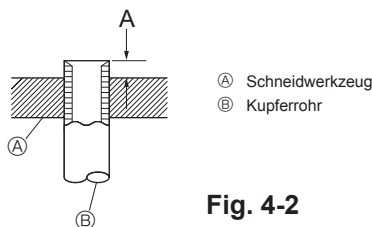
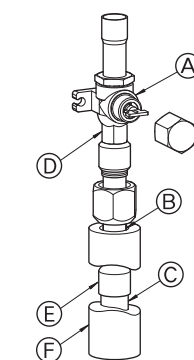
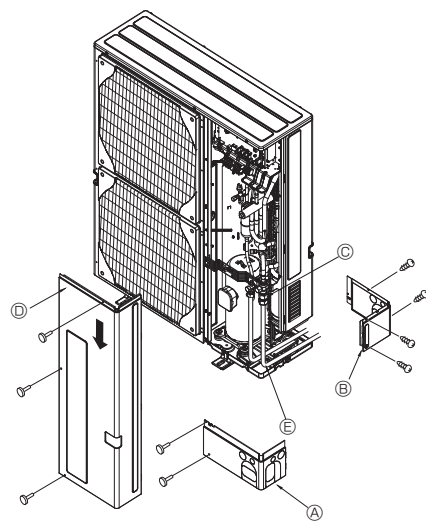


Fig. 4-2



- Ⓐ Absperrventil
Ⓑ Abdichtungsbereich
Ⓒ Hausrohrleitung
Ⓓ Maulschlüsselbereich
Ⓔ Verbindungsrohr
Ⓕ Rohrinsolierung

Fig. 4-3



- Ⓐ Vordere Leitungsabdeckung
Ⓑ Leitungsabdeckung
Ⓒ Absperrventil
Ⓓ Wartungspult
Ⓔ Radius der Biegung: 100 mm - 150 mm

Fig. 4-4

4.2. Rohranschlüsse (Fig. 4-1)

- Wenn im Handel erhältliche Kupferrohre verwendet werden, Flüssigkeits- und Gasrohre mit im Handel erhältlichem Isoliermaterial (Hitzebeständig bis 100°C und mehr, Stärke 12 mm oder mehr) umwickeln.
- Stellen Sie sicher, dass die Gasleitungen und Leitungen mit flüssigem Kältemittel mit einem separaten Wärmeschutz versehen werden.
- Die in der Anlage befindlichen Teile der Ablassrohre sollten mit Isoliermaterial aus Schaumstoff (spezifisches Gewicht 0,03, Dicke 9 mm oder stärker) umwickelt werden.
- Vor dem Anziehen der Konusmutter eine dünne Schicht Kältemittel-Öl auf das Rohr und auf die Oberfläche des Sitzes an der Nahtstelle auftragen. Ⓐ
- Mit 2 Schraubenschlüsseln die Rohrleitungsanschlüsse fest anziehen. Ⓑ
- Nach Vornahme der Anschlüsse diese mit einem Leckdetektor oder Seifenlauge auf Gasaustritt untersuchen.
- Tragen Sie Kältemaschinenöl auf die gesamte Konusauffläche auf. Ⓒ
- Die Konusmutter für die nächstgehende Rohrgröße verwenden. Ⓓ

	SHW80, 112, 140	SHW230
Gasseite Rohrgröße (mm)	ø15,88	ø25,4
Flüssigkeitsseite Rohrgröße (mm)	ø9,52	ø12,7

- Achten Sie beim Biegen der Rohre sorgfältig darauf, sie nicht zu zerbrechen. Biege radien von 100 mm bis 150 mm sind ausreichend.
- Achten Sie darauf, dass die Rohre keinen Kontakt mit dem Kompressor haben. Andernfalls könnten unnormale Geräusche oder Schwingungen auftreten.
- ① Die Rohre müssen ausgehend von der Innenanlage miteinander verbunden werden. Die Konusmutter müssen mit einem Drehmomentschlüssel festgezogen werden.
- ② Weiten Sie die Flüssigkeits- und Gasrohre auf, und tragen Sie etwas Kältemittelöl auf (Vor Ort aufzutragen).
- Wenn normale Rohrdichtungen verwendet werden, beachten Sie Tabelle 1 zum Aufweiten von Rohren für Kältemittel R410A. Die Abmessungen A können mit einem Messgerät zur Größenanpassung überprüft werden.

Tabelle 1 (Fig. 4-2)

Kupferrohr Außendurchmesser (mm)	A (mm)	
	Aufweitungs Werkzeug für R410A	Aufweitungs Werkzeug für R22-R407C
	Kupplungsbaueise	
ø6,35 (1/4")	0 - 0,5	1,0 - 1,5
ø9,52 (3/8")	0 - 0,5	1,0 - 1,5
ø12,7 (1/2")	0 - 0,5	1,0 - 1,5
ø15,88 (5/8")	0 - 0,5	1,0 - 1,5
ø19,05 (3/4")	0 - 0,5	1,0 - 1,5

- ③ Gehen Sie wie folgt vor, um die Rohrleitungen der Gasseite anzuschließen. (Fig. 4-3) (SHW230)

- 1 Löten Sie das beiliegende Verbindungsrohr Ⓔ mit bauseits vorhandenem, oxidationsfreien Lötmaterial zwischen Außengerät und der Hausrohrleitung Ⓒ ein.
- 2 Verbinden Sie das Verbindungsrohr Ⓔ mit dem Absperrventil auf der Gasseite. Verwenden Sie zwei Gabelschlüssel zum Anziehen der Konusmutter.
- * Wenn die Reihenfolge vertauscht wird, tritt Kältemittel aus, da Bauteile durch die Hitze beim Löten beschädigt werden.

4.3. Kältemittelrohrleitung (Fig. 4-4)

Das Wartungspult Ⓓ (3 Schrauben) und die vordere Leitungsabdeckung Ⓐ (2 Schrauben) sowie die rückwärtige Leitungsabdeckung Ⓑ (2 Schrauben: SHW80 - 140) (4 Schrauben: SHW230) abnehmen.

- ① Die Verbindungen der Kältemittelrohrleitungen für die Innen-/Außenanlage ausführen, wenn das Absperrventil der Außenanlage vollständig geschlossen ist.
- ② Luftreinigung unter Vakuum vom Innenaggregat und dem Rohrleitungsanschluss aus.
- ③ Kontrollieren Sie nach dem Anschließen der Kältemittelrohrleitungen die angeschlossenen Rohre und die Innenanlage auf Gasaustritt. (Siehe 4.4. Verfahren zum Prüfen der Rohre auf Dichtigkeit.)
- ④ Eine Hochleistungs-Vakuumpumpe wird an der Wartungseinheit des Sperrventils verwendet, um ein Vakuum für eine geeignete Zeit (mindestens eine Stunde zu erzeugen, nachdem -101 kPa (5 Torr)) erreicht sind, um das Rohrinnere vakuumzutrocknen. Prüfen Sie immer die Stärke des Vakuums am Kaliber des Rohrverteilers. Wenn Feuchtigkeit im Rohr verbleibt, wird die erforderliche Stärke des Vakuums bei kurzer Vakuumanwendung manchmal nicht erreicht. Nach der Vakuumtrocknung öffnen Sie die Sperrventile vollständig (sowohl für Kältemittel als auch für Gas) für das Außengerät. Auf diese Weise werden die Kältemittelleitungen von Innen- und Außengeräten vollständig miteinander verbunden.
 - Wenn das Vakuumtrocknen nicht adäquat durchgeführt wird, verbleiben Luft und Wasserdampf in den Kühlkreisen und können einen anomalen Anstieg des Überdrucks, einen anomalen Abfall des Unterdrucks, Zersetzung des Kältemaschinenöls aufgrund von Feuchtigkeit usw. verursachen.
 - Wenn die Sperrventile geschlossen bleiben und die Anlage betrieben wird, werden Kompressor und Steuerventile beschädigt.
 - Suchen Sie nach Vornahme der Anschlüsse mit einem Gasaustrittsprüfgerät oder Seifenlauge nach Gasaustritt an den Rohrverbindungsstellen der Außenanlage.
 - Verdrängen Sie die Luft aus den Kältemittelleitungen nicht mit dem Kältemittel aus der Anlage.
 - Ziehen Sie nach Beendigung des Ventilbetriebs die Ventilkappen mit dem vorgeschriebenen Drehmoment an: 20 bis 25 N·m (200 bis 250 kgf·cm). Wird es nach Vornahme der Anschlüsse mit einem Gasaustrittsprüfgerät oder Seifenlauge nach Gasaustritt an den Rohrverbindungsstellen der Außenanlage. Verdrängen Sie die Luft aus den Kältemittelleitungen nicht mit dem Kältemittel aus der Anlage.
 - Ziehen Sie nach Beendigung des Ventilbetriebs die Ventilkappen mit dem vorgeschriebenen Drehmoment an: 20 bis 25 N·m (200 bis 250 kgf·cm). Wird es nach Vornahme der Anschlüsse mit einem Gasaustrittsprüfgerät oder Seifenlauge nach Gasaustritt an den Rohrverbindungsstellen der Außenanlage. Verdrängen Sie die Luft aus den Kältemittelleitungen nicht mit dem Kältemittel aus der Anlage.
- ⑤ Dichten Sie die Seiten der Wärmeisolierung um die Leitungsanschlüsse herum mit einem Dichtungsmittel ab, um zu verhindern, dass Wasser in die Wärmeisolierung eindringt.

4. Installation der Kältemittelrohrleitung

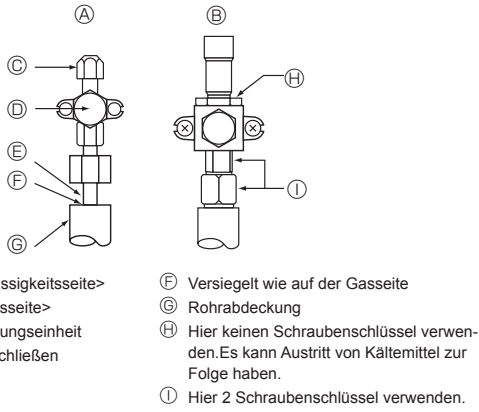


Fig. 4-5

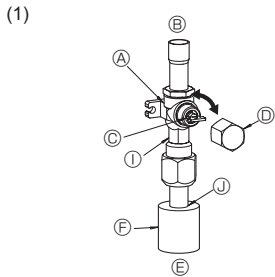


Fig. 4-6

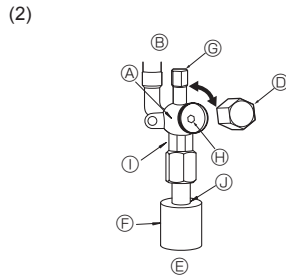


Fig. 4-7

- Ⓐ Ventil
- Ⓑ Anlagenseite
- Ⓒ Handgriff
- Ⓓ Kappe
- Ⓔ Hausrohrleitungsseite
- Ⓕ Rohrabdeckung
- Ⓖ Ausgang der Wartungseinheit
- Ⓗ Schraubenschlüsselöffnung

- Ⓘ Maulschlüsselbereich
(Setzen Sie Maulschlüssel nur in diesem Bereich an. Andernfalls können Kühlmittelverluste entstehen.)
- Ⓙ Abdichtungsbereich
(Dichten Sie das Ende des Rohrabschlusses mit einem geeigneten Material Ihrer Wahl ab, so dass kein Wasser in das Isolierungsmaterial eindringen kann.)

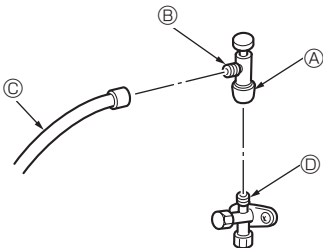


Fig. 4-8

- * Die Abbildung links ist nur ein Beispiel. Die Form des Absperrventils, die Position des Ausgangs der Wartungseinheit etc. können modellabhängig abweichen.
- * Nur Bereich Ⓐ drehen.
(Die Bereiche Ⓐ und Ⓑ nicht weiter gegeneinander anziehen.)

- Ⓒ Füllschlauch
- Ⓓ Ausgang der Wartungseinheit

4.4. Verfahren zum Prüfen der Rohre auf Dichtigkeit (Fig. 4-5)

- (1) Schließen Sie die Prüfwerkzeuge an.
 - Vergewissern Sie sich, dass die Sperrventile Ⓐ Ⓑ geschlossen sind und öffnen Sie sie nicht.
 - Bauen Sie über die Wartungseinheit Ⓒ des Flüssigkeitssperrventils Ⓐ Druck in den Kältemittelleitungen auf.
- (2) Bauen Sie den Druck nicht sofort auf den angegebenen Wert auf, sondern erhöhen Sie ihn nach und nach.
 - ① Bauen Sie einen Druck von 0,5 MPa (5 kgf/cm²G) auf, warten Sie fünf Minuten, und vergewissern Sie sich dann, dass der Druck nicht abfällt.
 - ② Bauen Sie einen Druck von 1,5 MPa (15 kgf/cm²G) auf, warten Sie fünf Minuten, und vergewissern Sie sich dann, dass der Druck nicht abfällt.
 - ③ Bauen Sie einen Druck von 4,15 MPa (41,5 kgf/cm²G) auf und messen Sie Umgebungstemperatur und Kältemitteldruck.
- (3) Wenn der angegebene Druck einen Tag lang gehalten wird und nicht abfällt, haben die Rohre den Test bestanden, und es entweicht keine Luft.
 - Wenn sich die Umgebungstemperatur um 1°C ändert, ändert sich dabei der Druck um etwa 0,01 MPa (0,1 kgf/cm²G). Nehmen Sie die erforderlichen Korrekturen vor.
- (4) Wenn der Druck in den Schritten (2) oder (3) abfällt, entweicht Gas. Suchen Sie nach der Gasaustrittsstelle.

4.5. Verfahren zum Öffnen des Absperrventils

Die Öffnungsmethode des Sperrventils variiert je nach Typ des Außengerätes. Verwenden Sie die jeweilige Methode zum Öffnen der Sperrventile.

- (1) Gasseite (Fig. 4-6)
 - ① Entfernen Sie die Kappe, ziehen Sie den Griff zu sich und drehen ihn zum Öffnen 1/4 Drehung nach links.
 - ② Prüfen Sie, ob das Absperrventil vollständig geöffnet ist, drücken Sie den Griff zurück und setzen Sie dann die Kappe wieder auf und schrauben sie fest.
- (2) Flüssigkeitsseite (Fig. 4-7)
 - ① Entfernen Sie die Kappe und drehen Sie die Ventilstange mit einem 4 mm-Sechskantschlüssel bis zum Anschlag gegen den Uhrzeigersinn. Hören Sie auf zu drehen, wenn der Anschlag erreicht ist.
(ø 9,52: Etwa 10 Umdrehungen)
 - ② Prüfen Sie, ob das Absperrventil vollständig geöffnet ist, drücken Sie den Griff zurück und setzen Sie dann die Kappe wieder auf und schrauben sie fest.

Kältemittelrohre haben eine Schutzumwicklung

- Die Rohre können vor oder nach dem Anschließen bis zu einem Durchmesser von ø90 mit einer Schutzumwicklung versehen werden. Schneiden Sie das Loch zum Ausbrechen in der Rohrabdeckung entlang der Einkerbung aus, und umwickeln Sie die Rohre.

Rohreingangsöffnung

- Dichten Sie den Rohreinlass um die Rohre herum mit Dichtmasse oder Spachtel, so dass keine Zwischenräume mehr vorhanden sind.
(Wenn die Zwischenräume nicht abgedichtet sind, ist kein ausreichender Lärmschutz gegeben oder Wasser und Schmutz dringen in die Anlage ein und können ihren Ausfall verursachen.)

Vorsichtsmaßnahmen bei Verwendung des Füllventils (Fig. 4-8)

Den Ausgang der Wartungseinheit bei der Installation nicht zu fest anziehen, da sich andernfalls der Ventileinsatz verformen und lösen kann, so dass Gas entweichen kann.

Wenn Bereich Ⓑ in die gewünschte Position gebracht ist, nur den Bereich Ⓐ drehen und festziehen.
Die Bereiche Ⓐ und Ⓑ nicht weiter gegeneinander anziehen, wenn Bereich Ⓐ festgezogen ist.

⚠ Warnung:

Schließen Sie die Kältemittelleitungen beim Installieren des Geräts fest an, bevor Sie den Kompressor einschalten.

4.6. Zugabe von Kältemittel

- Eine zusätzliche Füllung ist bei dieser Anlage nicht erforderlich, wenn die Rohrlänge 30 m nicht überschreitet.
- Wenn die Länge der Rohrleitung 30 m überschreitet, zusätzliches Kältemittel R410A gemäß zulässiger Rohrlängenangabe in der Tabelle unten in die Anlage einfüllen.

- * Füllen Sie bei ausgeschalteter Anlage diese durch das Flüssigkeitssperrventil mit weiterem Kältemittel, nachdem in den Rohrverlängerungen und der Innenanlage ein Vakuum erzeugt wurde.

Wenn die Anlage läuft, füllen Sie über das Absperrventil mittels eines Sicherheitsfüllers Kältemittel nach. Kältemittel darf nicht direkt in das Absperrventil eingefüllt werden.

- * Vermerken Sie nach dem Füllen der Anlage mit Kältemittel die hinzugefügte Kältemittelmenge auf dem (an der Anlage angebrachten) Wartungsaufkleber. Weitere Informationen finden Sie im Abschnitt "1.5. Einsatz einer Außenanlage mit dem Kältemittel R410A".

- Gehen Sie bei der Installation von mehreren Anlagen sorgfältig vor. Ein Anschluss an die falsche Innenanlage kann zu abnorm hohem Druck führen und die Leistung der Anlage stark beeinträchtigen.

Modell	Zulässige Rohrlänge	Zulässige vertikale Differenz	Ausgangs-Kältemittelfüllmenge	Zusätzliche Kältemittelfüllmenge			
				31 - 40 m	41 - 50 m	51 - 60 m	61 - 75 m
SHW80, 112, 140	2 m - 75 m	Max. 30 m	5,5 kg	0,6 kg	1,2 kg	1,8 kg	2,4 kg

Modell	Zulässige Rohrlänge	Zulässige vertikale Differenz	Ausgangs-Kältemittelfüllmenge	Betriebsart	Durchmesser Flüssigkeitsleitung	Zusätzliche Kältemittelfüllmenge					
						21 - 30 m	31 - 40 m	41 - 50 m	51 - 60 m	61 - 70 m	71 - 80 m
SHW230	2 m - 80 m ^{*1}	Max. 30 m	7,1 kg	ATW	ø 12,7	-	1,4 kg	2,8 kg	4,2 kg	5,6 kg	7,0 kg
						ø 9,52	-	-	0,8 kg	1,7 kg	2,6 kg
					ø 12,7		1,4 kg	2,8 kg	4,2 kg	5,6 kg	7,0 kg
						ø 9,52	-	0,8 kg	1,7 kg	2,6 kg	3,5 kg

*1. Bei einer Rohrlänge von 10 m oder weniger, SW8-2 auf ON/EIN stellen (SHW230YKA2R2 oder neuer).

4. Installation der Kältemittelrohrleitung

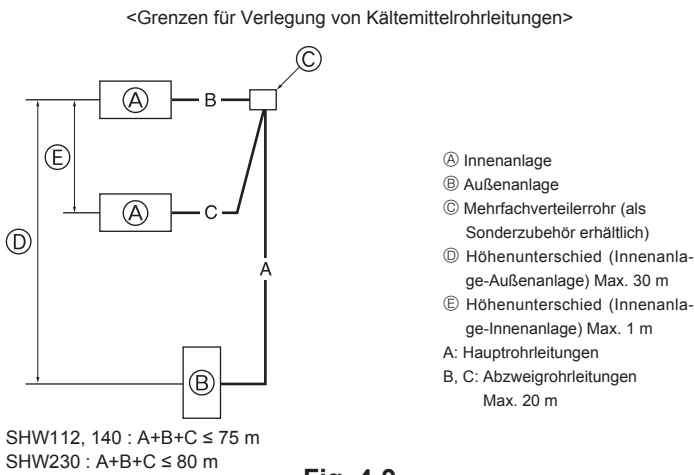


Fig. 4-9

5. Verrohrung der Dränage

Dränagerohranschluss der Außenanlage

Die Serie PUHZ-SHW kann aufgrund von Fernkältevorgaben nicht an ein Dränagerohr angeschlossen werden.

6. Wasserverrohrung (nur für Luft/Wasser-Wärmepumpe)

Minimale Wassermenge

Die folgende Wassermenge ist für den Wasserkreislauf erforderlich.

Modell	Minimale Wassermenge (L)
SHW80	34
SHW112	48
SHW140	60
SHW230	99

Ergreifen Sie unbedingt Gefrierschutzmaßnahmen wie etwa die Anwendung einer Gefrierschutzlösung, wenn Sie das Gerät bei niedrigen Umgebungstemperaturen (unter 0 °C) im Kühlbetrieb verwenden.

7. Elektroarbeiten

7.1. Außenanlage (Fig. 7-1, Fig. 7-2)

- ① Die Bedienungsplatte abnehmen.
- ② Die Kabel gemäß der Fig. 7-1 und der Fig. 7-2 verdrahten.

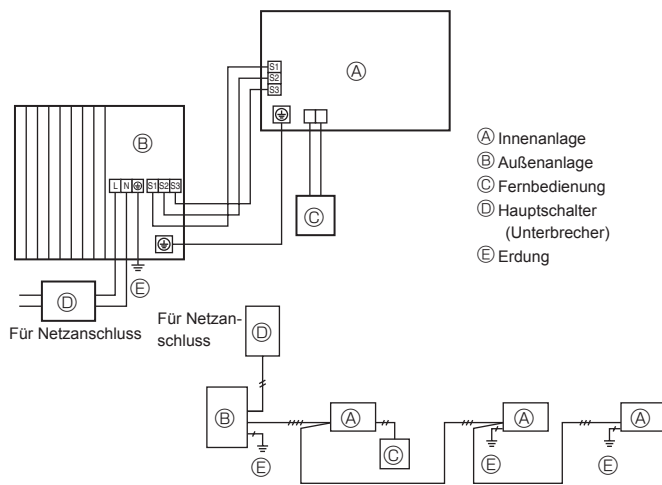


Fig. 7-1

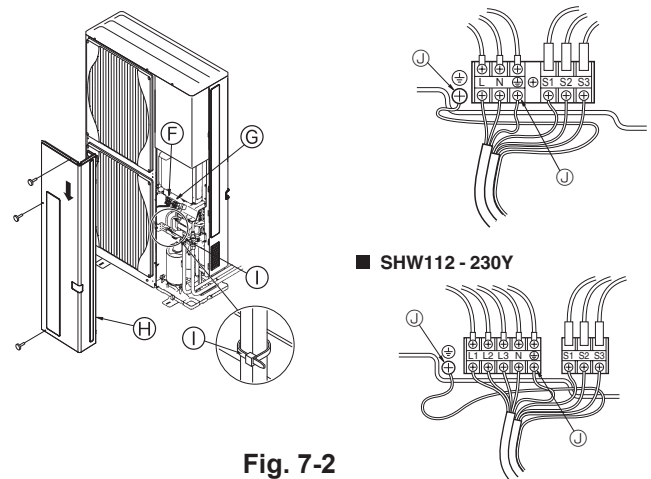


Fig. 7-2

- Ⓕ Klemmleiste
 Ⓖ Anschlussklemmblock Innen-/Außenanlage (S1, S2, S3)
 Ⓗ Wartungspult
 Ⓙ Klemme
 Ⓚ Erdungsklemme

* Die Kabel so verdrahten, dass sie weder die Mitte der Bedienungsplatte noch die Gasarmatur berühren.

Hinweis: Wenn das Schutzblech am Schaltkasten zur Bedienung und Wartung entfernt wurde, dafür sorgen, dass es wieder angebracht wird.

Vorsicht: Einbau der N-Leitung sicherstellen. Ohne N-Leitung können Schäden an der Anlage auftreten.

Hinweis: Nur für Luft/Wasser-Wärmepumpe
Wenn mehrere Innenanlagen (Hydroboxen) an die Außenanlage angeschlossen sind, verdrahten Sie die Leiterplatte einer der Innenanlagen mit der Außenanlage (S1, S2, S3).

Es ist nicht möglich, die Leiterplatten mehrerer Innenanlagen an die Außenanlage anzuschließen.

7. Elektroarbeiten

7.2. Elektrische Feldverdrahtung

Außenanlage Modell		SHW80V	SHW112V	SHW112, 140Y	SHW230Y
Außenanlage Stromversorgung		~N (Eine), 50 Hz, 230 V	~N (Eine), 50 Hz, 230 V	3N~ (3Ph 4-adrig), 50 Hz, 400 V	3N~ (3Ph 4-adrig), 50 Hz, 400 V
Eingangsstromstärke der Außenanlage Hauptschalter (Unterbrecher) *1		32 A	40 A	16 A	25 A
Verdrahtung Zahl der Leitungen × Querschnitt (mm ²)	Außenanlage Stromversorgung	3 × Min. 4	3 × Min. 6	5 × Min. 1,5	5 × Min. 4
	Innenanlage-Außenanlage	*2 3 × 1,5 (Polar)	3 × 1,5 (Polar)	3 × 1,5 (Polar)	Kabellänge 50m:3×4 (Polar)/Kabellänge 80m:3×6 (Polar)
	Erdungsleitung der Innen-/Außenanlage	*2 1 × Min. 1,5	1 × Min. 1,5	1 × Min. 1,5	1 × Min. 2,5
	Fernbedienung-Innenanlage	*3 2 × 0,3 (Nicht polar)	2 × 0,3 (Nicht polar)	2 × 0,3 (Nicht polar)	2 × 0,3 (Nicht polar)
Nennspannung des Stromkreises	Außenanlage L-N (Eine)	*4 230 V AC	230 V AC	230 V AC	230 V AC
	Außenanlage L1-N, L2-N, L3-N (3 Phasen)	*4 230 V AC	230 V AC	230 V AC	230 V AC
	Innenanlage-Außenanlage S1-S2	*4 24 V DC	24 V DC	24 V DC	24 V DC
	Innenanlage-Außenanlage S2-S3	*4 12 V DC	12 V DC	12 V DC	12 V DC

*1. An jedem der einzelnen Pole einen Erdschlussunterbrecher (NV) mit einem Kontaktabstand von mindestens 3,0 mm einsetzen.

Darauf achten, dass der Stromunterbrecher mit harmonischen Oberschwingungen kompatibel ist.

Stets einen Stromunterbrecher verwenden, der mit harmonischen Oberschwingungen kompatibel ist, da dieses Gerät einen Umwandler besitzt.

Wird ein ungeeigneter Unterbrecher verwendet, kann dies zu einem mangelhaften Betrieb des Umwandlers führen.

*2. (SHW80 - 140)

Max. 45 m

Wenn 2,5 mm² verwendet werden, max. 50 m

Wenn 2,5 mm² verwendet werden und S3 getrennt ist, max. 80 m

(SHW230)

Max. 80 m, einschließlich aller Innen-/Innenanschlüsse beträgt das Gesamtmaximum 80 m.

• Wie in der Abbildung dargestellt, ein Kabel für S1 und S2 und ein weiteres für S3 verwenden.



*3. Das Fernbedienungszubehör ist mit einer Elektroleitung von 10 m ausgestattet.

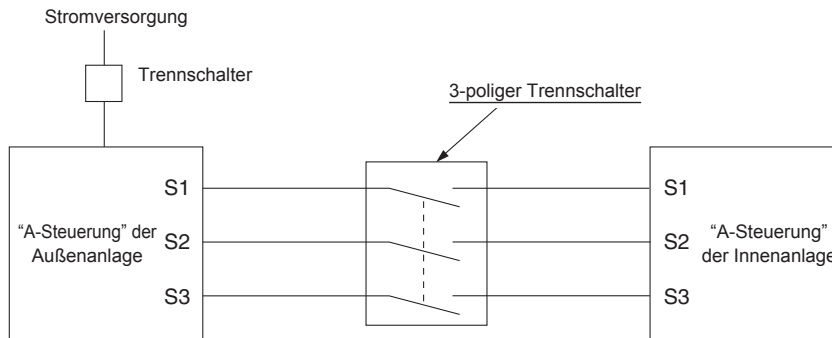
*4. Die Angaben gelten NICHT immer gegenüber der Erdleitung.

Klemme S3 hat 24 V DC Gleichstrom gegenüber Klemme S2. Zwischen den Klemmen S3 und S1 gibt es keine elektrische Isolierung durch den Transformator oder eine andere elektrische Vorrichtung.

Hinweise: 1. Die Größe der Elektroleitung muß den jeweiligen örtlichen und nationalen gesetzlichen Vorschriften entsprechen.

2. Als Kabel für die Stromversorgung und die Verbindung von Innen- und Außenanlage muß mindestens ein polychloropren-beschichtetes, flexibles Kabel (entsprechend 60245 IEC 57) gewählt werden.

3. Die Erdungsleitung muss länger als die anderen Elektroleitungen sein, damit sie bei Ausübung von Zugspannung nicht getrennt wird.



⚠ Warnung:

- Bei der Steuerleitung A gibt es aufgrund der Auslegung des Stromkreises, der keine Isolierung zwischen Netzleitung und Übertragungsleitung hat, an der Klemme S3 ein Hochspannungspotenzial. Daher bitte bei der Wartung den Netzstrom ausschalten. Auch bitte die Klemmen S1, S2, S3 nicht berühren, wenn Netzstrom anliegt. Wenn zwischen Innen- und Außengerät ein Trennschalter eingesetzt werden soll, bitte einen 3-poligen Schalter verwenden.
- Bei Temperaturen von unter -20°C muss das Gerät vor dem Betrieb mindestens 12 Std. in Standby sein, um die elektrischen Teile zu erwärmen.

Spleißen Sie niemals das Netzkabel oder das Verbindungskabel zwischen Innenaggregat und Außengerät, da es andernfalls zu Rauchentwicklung, einem Brand oder einem Kommunikationsfehler kommen kann.

ANSCHLUSSKABEL FÜR INNEN-/AUSSENANLAGE (SHW230)

Kabelquerschnitt	Drahtgröße (mm ²)	Anzahl der Drähte	Polarität	L (m)*6
Rund	2,5	3	Im Uhrzeigersinn : S1-S2-S3 * Auf Gelb- und Grünstreifen achten	(30) *2
Flach	2,5	3	Nicht zutreffend (Weil Mitteldraht keine Endabdeckung hat)	Nicht zutreffend *5
Flach	1,5	4	Von links nach rechts : S1-Unbelegt-S2-S3	(18) *3
Rund	2,5	4	Im Uhrzeigersinn : S1-S2-S3-Unbelegt * S1 und S3 an die gegenüberliegende Seite anschließen	(30) *4

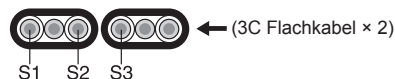
*1 : Netzanschlusskabel für Geräte dürfen nicht leichter als Ausführung 60245 IEC oder 227 IEC sein.

*2 : Für den Fall, dass ein Kabel mit Gelb- und Grünstreifen vorhanden ist.

*3 : Bei Anschluss mit Normalpolarität (S1-S2-S3), ist die Drahtgröße 1,5 mm².

*4 : Bei Anschluss mit Normalpolarität (S1-S2-S3).

*5 : Wenn flache Kabel, wie in der Abbildung dargestellt, angeschlossen sind, dürfen sie bis zu 30 m lang sein.



*6 : Die angegebene Kabellänge stellt nur einen Richtwert dar.

Je nach Installationsbedingungen, wie Luftfeuchtigkeit, Materialien etc., ist eine Abweichung möglich.

Darauf achten, die Verbindungskabel zwischen Außen- und Innenanlage direkt an die Geräte anzuschließen. (Keine Zwischenanschlüsse). Zwischenanschlüsse können Kommunikationsfehler verursachen, wenn Wasser in die Kabel eindringt und unzureichende Isolierung zur Erdung oder schlechten Stromkontakt am Zwischenanschlusspunkt zur Folge hat.

8. Testlauf (nur für Klimaanlage)

8.1. Vor dem Testlauf

- ▶ Nach Installation, Verdrahtung und Verlegung der Rohrleitungen der Innen- und Außenanlagen überprüfen und sicherstellen, daß kein Kältemittel ausläuft, Netzstromversorgung und Steuerleitungen nicht locker sind, Polarität nicht falsch angeordnet und keine einzelne Netzanschlußphase getrennt ist.
- ▶ Mit einem 500-Volt-Megohmmeter überprüfen und sicherstellen, daß der Widerstand zwischen Stromversorgungsklemmen und Erdung mindestens 1 MΩ beträgt.
- ▶ Diesen Test nicht an den Klemmen der Steuerleitungen (Niederspannungsstromkreis) vornehmen.

⚠ Warnung:

Betreiben Sie die Außenanlage nicht, wenn der Isolationswiderstand weniger als 1 MΩ beträgt.

Isolationswiderstand

Nach der Installation oder nachdem die Anlage längere Zeit von der Stromversorgung getrennt war, fällt der Isolationswiderstand auf Grund der Kältemittelansammlung im Kompressor unter 1 MΩ. Es liegt keine Fehlfunktion vor. Gehen Sie wie folgt vor.

1. Trennen Sie die Stromleitungen vom Kompressor, und messen Sie den Isolationswiderstand des Kompressors.
2. Wenn der Isolationswiderstand niedriger als 1 MΩ ist, ist der Kompressor entweder defekt oder der Widerstand ist auf Grund der Kältemittelansammlung im Kompressor gefallen.
3. Nach dem Anschließen der Stromleitungen und dem Einschalten des Netzstroms, beginnt der Kompressor warmzulaufen. Messen Sie den Isolationswiderstand nach den unten aufgeführten Einschaltzeiten erneut.

- Der Isolationswiderstand fällt auf Grund der Kältemittelansammlung im Kompressor ab. Der Widerstand steigt auf über 1 MΩ, nachdem sich der Kompressor 4 Stunden lang warmgelaufen hat. (Die Zeit, die zum Erwärmen des Kompressors erforderlich ist, ist je nach Wetterbedingungen und Kältemittelansammlung unterschiedlich.)
 - Um den Kompressor mit einer Kältemittelansammlung im Kompressor zu betreiben, muß der Kompressor mindestens 12 Stunden lang warmlaufen, um einen Ausfall zu verhindern.
4. Wenn der Isolationswiderstand über 1 MΩ ansteigt, ist der Kompressor nicht defekt.

⚠ Vorsicht:

- Kompressor arbeitet nicht, wenn Phasen der Netzstromversorgung nicht richtig angeschlossen sind.
- Strom mindestens 12 Stunden vor Betriebsbeginn einschalten.
- Betriebsbeginn unmittelbar nach Einschalten des Netzschalters kann zu schwerwiegenden Schäden der Innenteile führen. Während der Saison Netzschalter eingeschaltet lassen.

▶ Die nachfolgenden Positionen müssen ebenfalls überprüft werden.

- Die Außenanlage ist nicht defekt. LED1 und LED2 auf der Schalttafel der Außenanlage blinken, wenn die Außenanlage defekt ist.
- Sowohl das Gas- als auch das Flüssigkeitssperrenventil sind vollständig geöffnet.
- Ein Schutz bedeckt die Dip-Schalttafel auf der Schalttafel der Außenanlage. Entfernen Sie den Schutz, damit Sie die Dip-Schalter leicht bedienen können.

8.2. Testlauf

8.2.1. SW4 in der Außenanlage verwenden

SW4-1	ON/EIN	Betriebsart Kühlung
SW4-2	OFF/AUS	
SW4-1	ON/EIN	Betriebsart Heizung
SW4-2	ON/EIN	

- * Nach Durchführung des Testlaufs SW4-1 auf OFF/AUS einstellen.
- Nach dem Einschalten ist möglicherweise ein leises Klicken aus dem Inneren der Außenanlage zu hören. Das elektronische Expansionsventil öffnet und schließt sich. Die Anlage ist nicht defekt.
- Einige Sekunden nach dem Anlaufen des Kompressors ist möglicherweise ein klingendes Geräusch aus dem Inneren der Außenanlage zu hören. Dieses Geräusch stammt vom Absperrventil auf Grund geringer Druckunterschiede in den Rohren. Die Anlage ist nicht defekt.

Der Testlauf-Modus kann während des Testlaufs nicht mittels des Dip-Schalters SW4-2 geändert werden. (Zum Ändern des Testlauf-Modus müssen Sie den Testlauf mit Dip-Schalter SW4-1 ausschalten. Nach Änderung des Testlauf-Modus können Sie den Testlauf mit Schalter SW4-1 fortsetzen.)

8.2.2. Benutzung der Fernbedienung

Beziehen Sie sich auf das Innenanlagen-Installationshandbuch.

Hinweis :

Gelegentlich kann durch den Entfrostervorgang entstehender Dampfauftritt, der wie aus dem Außenanlage austretender Rauchssehen kann.

9. Spezielle Funktionen

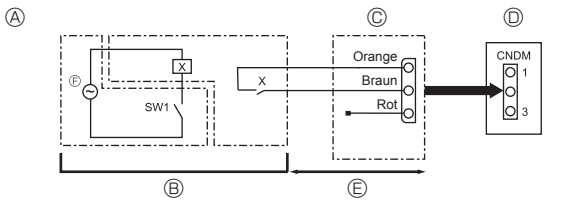


Fig. 9-1

- A Beispiel eines Schaltplans (Lärmschutzmodus) D Schalttafel der Außenanlage
 B Anordnung vor Ort E Max. 10 m
 C Externer Eingangsadapter (PAC-SC36NA-E) F Stromversorgung für Relais
 X: Relais

9.1. Lärmschutzmodus (Veränderung vor Ort)

(Fig. 9-1)

Mittels der folgenden Änderung kann das Betriebsgeräusch der Außenanlage um etwa 3 bis 4 dB reduziert werden.

Der Lärmschutzmodus wird aktiviert, wenn ein im Fachhandel erhältlicher Timer oder der Kontakteingang eines EIN/AUS-Schalters an den CNDM-Stecker (als Sonderzubehör erhältlich) auf der Schalttafel der Außenanlage zusätzlich angebracht wird.

- Die Wirksamkeit hängt von den Außentemperaturen und den Betriebsbedingungen etc. ab.
- Vervollständigen Sie bei Verwendung des externen Eingangsadapters (PAC-SC36NA-E) (als Sonderzubehör käuflich zu erwerben) den Stromkreis wie dargestellt.
 - SW1 ON/EIN: Lärmschutzmodus
SW1 OFF/AUS: Normalbetrieb

Hinweis:

Wenn die Dip-Schalter SW7-1 und SW9-1 auf der Schalttafel der Außenanlage eingeschaltet sind (ON), setzen Sie die Dip-Schalter SW7-1, SW9-1 auf OFF/AUS. (Dieser Modus kann nicht gemeinsam mit der Anforderungsfunktion genutzt werden.)

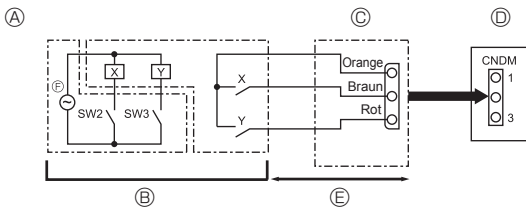


Fig. 9-2

- A Beispiel eines Schaltplans (Anforderungsfunktion) D Schalttafel der Außenanlage
 B Anordnung vor Ort E Max. 10 m
 C Externer Eingangsadapter (PAC-SC36NA-E) F Stromversorgung für Relais
 X, Y: Relais

9.2. Anforderungsfunktion (Veränderung vor Ort) (Fig. 9-2)

(nur für Klimaanlage)

Mittels der folgenden Änderung kann der Stromverbrauch auf 0-100% des normalen Verbrauchs reduziert werden.

Die Anforderungsfunktion wird aktiviert, wenn ein im Fachhandel erhältlicher Timer oder der Kontakteingang eines EIN/AUS-Schalters an den CNDM-Stecker (als Sonderzubehör erhältlich) auf der Schalttafel der Außenanlage zusätzlich angebracht wird.

- Vervollständigen Sie bei Verwendung des externen Eingangsadapters (PAC-SC36NA-E) (als Sonderzubehör käuflich zu erwerben) den Stromkreis wie dargestellt.
- Durch Einstellen von SW7-1 auf der Schalttafel der Außenanlage kann der Stromverbrauch (im Vergleich zum normalen Verbrauch) wie unten gezeigt gesenkt werden.

	SW7-1	SW2	SW3	Stromverbrauch
Anforderungsfunktion	ON/EIN	OFF/AUS	OFF/AUS	100%
		ON/EIN	OFF/AUS	75%
		ON/EIN	ON/EIN	50%
		OFF/AUS	ON/EIN	0% (Stopp)

9.3. Kältemittel sammeln (Abpumpen)

Wenn die Innen-/Außenanlage an einem anderen Ort neu aufgestellt oder wenn sie entsorgt werden soll, pumpen Sie das System wie folgt leer, damit kein Kühlmittel in die Atmosphäre gelangt.

- Unterbrechen Sie die Stromzufuhr (Leistungsschalter).
- Schließen Sie das Niederdruckventil am Unterdruckmesser am Füllstutzen (Niederdruckseite) an der Außenanlage an.
- Schließen Sie das Flüssigkeitssperrenventil vollständig.
- Schalten Sie die Anlage ein (Leistungsschalter).
 - Vergewissern Sie sich nach dem Einschalten, dass auf der Fernbedienung nicht "CENTRALLY CONTROLLED" (ZENTRAL GESTEUERT) angezeigt wird. Falls "CENTRALLY CONTROLLED" (ZENTRAL GESTEUERT) angezeigt wird, kann das Sammeln (Abpumpen) des Kältemittels nicht normal abgeschlossen werden.
 - Die Kommunikation zwischen Innen- und Außenanlage startet etwa 3 Minuten nach Einschalten der Stromversorgung (Trennschalter). Starten Sie den Abpump-Betrieb 3 bis 4 Minuten nach Einschalten der Stromversorgung (Trennschalter).
- Führen Sie den Kältemittelsammelvorgang durch (Testlauf im Kühlmodus).
 - Drücken Sie den Abpump-SWP-Schalter (ein Taster) auf der Schalttafel der Außenanlage. Der Kompressor und die Ventilatoren (Innen- und Außenanlagen) beginnen zu arbeiten (der Kältemittelsammelvorgang setzt ein). (LED1 und LED2 auf der Schalttafel der Außenanlage leuchten.)
 - Drücken Sie den Abpump-SWP-Schalter nur, wenn die Anlage ausgeschaltet ist. Allerdings kann der Kältemittelsammelvorgang auch dann nicht durchgeführt werden, wenn die Anlage ausgeschaltet ist und der Abpump-SWP-Schalter weniger als 3 Minuten, nachdem sich der Kompressor ausgeschaltet hat, gedrückt wird. Warten Sie, bis der Kompressor mindestens 3 Minuten lang ausgeschaltet ist, und drücken Sie dann den Abpump-SWP-Schalter erneut.
- Schließen Sie das Kugelventil am seitlichen Gasrohr an der Außenanlage vollständig, wenn das Druckmessgerät einen Druck von 0,05 bis 0 MPa [Gauge] anzeigt (ca. 0,5 bis 0 kgf/cm²) und schalten Sie die Außenanlage sofort aus.

- Wenn der Abpump-SWP-Schalter erneut gedrückt wird, schaltet sich die Anlage aus.
 - Da die Anlage sich etwa 3 Minuten nach dem Sammeln des Kältemittels automatisch ausschaltet (LED1 aus und LED2 leuchtet), stellen Sie sicher, dass das Gaskugelventil unverzüglich geschlossen wird. Falls jedoch LED1 leuchtet, LED2 ausgeschaltet ist und sich die Anlage ausschaltet, öffnen Sie das Flüssigkeitssperrenventil vollständig, schließen Sie nach Ablauf von mindestens 3 Minuten das Ventil vollständig und wiederholen Sie dann Schritt ⑤. (Öffnen Sie das Gaskugelventil vollständig.)
 - Wenn das Sammeln des Kältemittels normal abgeschlossen wurde (LED1 aus und LED2 leuchtet), bleibt die Anlage ausgeschaltet, bis die Stromversorgung ausgeschaltet wird.
 - Beachten Sie, dass bei langen Verlängerungsrohren und einer großen Kältemittelmenge möglicherweise kein Abpumpen durchgeführt werden kann. Verwenden Sie in diesem Fall eine Kältemittelsammelvorrichtung, um das gesamte Kältemittel im System zu sammeln.
- Unterbrechen Sie die Stromzufuhr (Leistungsschalter), entfernen Sie den Unterdruckmesser und trennen Sie dann die Kältemittelleitungen.

⚠ Warnung:

Schalten Sie beim Abpumpen des Kältemittels den Kompressor ab, bevor die Kältemittelleitungen getrennt werden.

- Wenn die Kältemittelleitungen bei laufendem Kompressor getrennt werden und das Absperrventil (Kugelventil) geöffnet ist, könnte der Druck im Kältemittelkreislauf extrem hoch werden, wenn Luft angesaugt wird, sodass die Leitungen platzen, Personen verletzt werden usw.

9.4 Temperatur für die ZUBADAN Flash-Injection-Einspritzung einstellen

Die Funktion der ZUBADAN Flash-Injection-Einspritzung erreicht beste Heizleistung bei niedrigen Außentemperaturen.

- Mit SW9-3 und SW9-4 auf der Schalttafel der Außenanlage kann der Temperaturbereich für die ZUBADAN Flash-Injection-Einspritzung eingestellt werden, siehe nachfolgende Tabelle.

SW9-3	SW9-4	Außentemperatur
OFF	OFF	3°C oder weniger (Standardeinstellung)
OFF	ON	0°C oder weniger
ON	OFF	-3°C oder weniger
ON	ON	-6°C oder weniger

10. Kontrolle des Systems

10.1. Klimaanlage

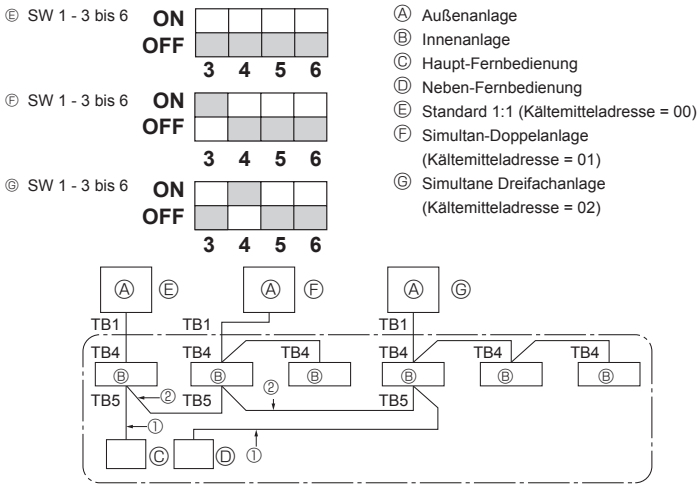
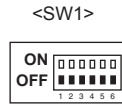


Fig. 10-1

* Die Kältemitteladresse mit dem Dip-Schalter der Außenanlage einstellen.
 ① Verdrahtung von der Fernbedienung
 Der Draht ist an TB5 (Klemmleiste für Fernbedienung) angeschlossen (nicht polar).
 ② Wenn eine andere Kältemittelsystem-Gruppierung verwendet wird.
 Mit der flachen MA Fernbedienung können bis zu 16 Kältemittelsysteme als eine Gruppe gesteuert werden.

Hinweis:
Bei einem Einfachkältemittelsystem (doppelt/dreifach), ist keine Verdrahtung ② erforderlich.

SW1-Funktionsonstabelle



	Funktion	Betrieb gemäß Schaltereinstellung		
		ON/EIN	OFF/AUS	
SW1-Funktionseinstellungen	1	Vorgeschriebene Enteisung	Start	Normal
	2	Fehlerhergang gelöscht	Gelöscht	Normal
	3	Adresseneinstellung des Kältemittelsystems	Einstellungen für Außenanlagenadressen 0 bis 15	
	4			
	5			
	6			

10.2. Luft/Wasser-Wärmepumpe

Stellen Sie die Kühlmitteladresse mit dem Dip-Schalter der Außenanlage ein.

SW1 Funktionseinstellung

SW1 Einstellung	Kühlmitteladresse	SW1 Einstellung	Kühlmitteladresse
ON OFF 3 4 5 6 7 00	00	ON OFF 3 4 5 6 7 03	03
ON OFF 3 4 5 6 7 01	01	ON OFF 3 4 5 6 7 04	04
ON OFF 3 4 5 6 7 02	02	ON OFF 3 4 5 6 7 05	05

Hinweis:

- a) Es können bis zu 6 Einheiten angeschlossen werden.
- b) Wählen Sie ein einzelnes Modell für alle Einheiten.
- c) Lesen Sie bezüglich der Dip-Schaltereinstellungen für das Innengerät im Installationshandbuch des Innengeräts nach.

11. Technische Daten

Schallpegel (gemessen unter Nennbetriebsfrequenz.)

			SHW80VHA	SHW112Y/VHA	SHW140YHA	SHW230YKA2
SPL	Heizbetrieb	dB(A)	51	52	52	59
	Kühlbetrieb	dB(A)	50	51	51	58
PWL	Heizbetrieb	dB(A)	69	70	70	75

Index

1. Consignes de sécurité.....	24	7. Installations électriques.....	30
2. Emplacement pour l'installation.....	25	8. Marche d'essai (pour climatiseurs uniquement).....	32
3. Installation de l'appareil extérieur.....	27	9. Fonctions spéciales.....	33
4. Installation de la tuyauterie du réfrigérant.....	27	10. Contrôle du système.....	34
5. Mise en place du tuyau d'écoulement.....	30	11. Caractéristiques techniques.....	34
6. Tuyauterie d'eau (pour pompe thermique air/eau uniquement).....	30		

Remarque : Ce symbole est utilisé uniquement pour les pays de l'UE.

Ce symbole est conforme à la directive 2012/19/EU Article 14 Informations à l'attention des usagers et Annexe IX.

Votre produit Mitsubishi Electric est conçu et fabriqué avec des matériels et des composants de qualité supérieure qui peuvent être recyclés et réutilisés. Ce symbole signifie que les équipements électriques et électroniques, à la fin de leur durée de service, doivent être éliminés séparément des ordures ménagères. Nous vous prions donc de confier cet équipement à votre centre local de collecte/recyclage.

Dans l'Union Européenne, il existe des systèmes sélectifs de collecte pour les produits électriques et électroniques usagés.

Aidez-nous à conserver l'environnement dans lequel nous vivons !

Les machines ou appareils électriques et électroniques contiennent souvent des matières qui, si elles sont traitées ou éliminées de manière inappropriée, peuvent s'avérer potentiellement dangereuses pour la santé humaine et pour l'environnement.

Cependant, ces matières sont nécessaires au bon fonctionnement de votre appareil ou de votre machine. Pour cette raison, il vous est demandé de ne pas vous débarrasser de votre appareil ou machine usagé avec vos ordures ménagères.



⚠ Précaution :

- Ne libérez pas le R410A dans l'atmosphère :

■ Certification des pompes à chaleur

La marque "NF pompe à chaleur" est une certification indépendante prouvant que les performances des pompes à chaleur et la qualité de production de l'usine sont conformes au référentiel NF-414. Les combinaisons unités intérieures et unités extérieures, ainsi que leurs applications autorisées à utiliser la marque NF PAC peuvent être consultées sur le site web www.marque-nf.com

1. Consignes de sécurité

- ▶ Avant d'installer le climatiseur, lire attentivement toutes les "Consignes de sécurité".

- ▶ Veuillez consulter ou obtenir la permission votre compagnie d'électricité avant de connecter votre système.

▶ PUHZ-SHW230YKA2

"Cet équipement est conforme à la norme IEC 61000-3-12 à condition que la puissance de court-circuit S_{sc} soit supérieure ou égale au S_{sc} (*1) au point d'interface entre les réseaux d'alimentation privé et public. Il incombe à l'installateur ou à l'utilisateur de l'équipement de veiller à ce que celui-ci ne soit connecté qu'à un réseau dont la puissance de court-circuit S_{sc} est supérieure ou égale au S_{sc} (*1), et ce en accord avec l'opérateur du réseau de distribution, le cas échéant"

S_{sc} (*1)

Modèle	S_{sc} (MVA)
PUHZ-SHW230YKA2	1,35

⚠ Avertissement:

Précautions à suivre pour éviter tout danger de blessure ou de décès de l'utilisateur.

⚠ Précaution:

Décrit les précautions qui doivent être prises pour éviter d'endommager l'appareil.

Une fois l'installation terminée, expliquer les "Consignes de sécurité", l'utilisation et l'entretien de l'appareil au client conformément aux informations du mode d'emploi et effectuer l'essai de fonctionnement en continu pour garantir un fonctionnement normal. Le manuel d'installation et le mode d'emploi doivent être fournis à l'utilisateur qui doit les conserver. Ces manuels doivent également être transmis aux nouveaux utilisateurs.

⚡ : Indique un élément qui doit être mis à la terre.

⚠ Avertissement:

Prendre soin de lire les étiquettes se trouvant sur l'appareil principal.

⚠ Avertissement:

- L'appareil ne doit pas être installé par l'utilisateur. Contacter un revendeur ou un technicien agréé pour installer l'appareil. Si l'appareil n'est pas correctement installé, des fuites d'eau, des chocs électriques ou des incendies peuvent se produire.
- Pour l'installation, respecter les instructions du manuel d'installation et utiliser des outils et des composants de tuyau spécialement conçus pour une utilisation avec le réfrigérant R410A. La pression du réfrigérant R410A du système HFC est 1,6 fois supérieure à celle des réfrigérants traditionnels. Si des composants de tuyau non adaptés au réfrigérant R410A sont utilisés et si l'appareil n'est pas correctement installé, les tuyaux peuvent éclater et provoquer des dommages ou des blessures. Des fuites d'eau, des chocs électriques et des incendies peuvent également se produire.
- L'appareil doit être installé conformément aux instructions pour réduire les risques de dommages liés à des tremblements de terre, des typhons ou des vents violents. Une installation incorrecte peut entraîner la chute de l'appareil et provoquer des dommages ou des blessures.
- L'appareil doit être solidement installé sur une structure pouvant supporter son poids. Si l'appareil est fixé sur une structure instable, il risque de tomber et de provoquer des dommages ou des blessures.
- Si l'appareil extérieur est installé dans une petite pièce, certaines mesures doivent être prises pour éviter que la concentration de réfrigérant ne dépasse le seuil de sécurité en cas de fuite de réfrigérant. Consulter un revendeur pour obtenir les mesures adéquates et ainsi éviter de dépasser la concentration autorisée. En cas de fuite de réfrigérant et de dépassement du seuil de concentration, des risques liés au manque d'oxygène dans la pièce peuvent survenir.
- Aérer la pièce en cas de fuite de réfrigérant lors de l'utilisation. Le contact du réfrigérant avec une flamme peut provoquer des émanations de gaz toxiques.
- Toutes les installations électriques doivent être effectuées par un technicien qualifié conformément aux réglementations locales et aux instructions fournies dans ce manuel. Les appareils doivent être alimentés par des lignes électriques adaptées. Utiliser la tension correcte et des coupe-circuits. Des lignes électriques de capacité insuffisante ou des installations électriques incorrectes peuvent provoquer un choc électrique ou un incendie.

- Utiliser le cuivre phosphoreux C1220, pour des tuyaux sans soudure en cuivre et en alliage de cuivre, pour raccorder les tuyaux de réfrigérant. Si les tuyaux ne sont pas correctement raccordés, la mise à la terre de l'appareil ne sera pas conforme et des chocs électriques peuvent se produire.
- N'utiliser que les câbles spécifiés pour les raccordements. Les raccordements doivent être réalisés correctement sans tension sur les bornes. Ne jamais effectuer de jonction sur les câbles (sauf en cas d'indications contraires). Le non respect de cette consigne peut entraîner une surchauffe ou un incendie.
- Le couvercle du bloc de sortie de l'appareil extérieur doit être solidement fixé. S'il n'est pas correctement installé et si des poussières et de l'humidité s'infiltrent dans l'appareil, un choc électrique ou un incendie peut se produire.
- Lors de l'installation, du déplacement ou de l'entretien de l'appareil extérieur, charger les tuyaux de réfrigérant uniquement avec le réfrigérant spécifié (R410A). Si du réfrigérant est mélangé avec de l'air, cela peut provoquer des pointes de pression dans les tuyaux de réfrigérant et entraîner une explosion et d'autres risques. L'utilisation d'un réfrigérant différent de celui spécifié pour le climatiseur peut entraîner des défaillances mécaniques, des dysfonctionnements du système ou une panne de l'appareil. Dans le pire des cas, cela peut entraîner un obstacle à la mise en sécurité du produit.
- N'utiliser que les accessoires agréés par Mitsubishi Electric et contacter un revendeur ou un technicien agréé pour les installer. Si les accessoires ne sont pas correctement installés, une fuite d'eau, un choc électrique ou un incendie peut se produire.
- Ne pas changer l'appareil. Consulter un revendeur en cas de réparations. Si les modifications ou réparations ne sont pas correctement effectuées, une fuite d'eau, un choc électrique ou un incendie peut se produire.
- L'utilisateur ne doit jamais essayer de réparer ou de déplacer l'appareil. Si l'appareil n'est pas correctement installé, des fuites d'eau, des chocs électriques ou des incendies peuvent se produire. Si l'appareil extérieur doit être réparé ou déplacé, contacter un revendeur ou un technicien agréé.
- Une fois l'installation terminée, vérifier les éventuelles fuites de réfrigérant. Si le réfrigérant fuit dans la pièce et entre en contact avec la flamme d'un chauffage ou d'une cuisinière, des gaz toxiques peuvent se dégager.

1.1. Avant l'installation

⚠ Précaution:

- Ne pas utiliser l'appareil dans un environnement inhabituel. Si l'appareil extérieur est installé dans des endroits exposés à la vapeur, à l'huile volatile (notamment l'huile de machine), au gaz sulfurique, à une forte teneur en sel, par exemple, à la mer, ou dans des endroits où l'appareil sera recouvert de neige, les performances peuvent considérablement diminuer et les pièces internes de l'appareil être endommagées.
- Ne pas installer l'appareil dans des endroits où des gaz de combustion peuvent s'échapper, se dégager ou s'accumuler. L'accumulation de gaz de combustion autour de l'appareil peut provoquer un incendie ou une explosion.

- L'appareil extérieur produit de la condensation lors du fonctionnement du chauffage. Prévoir un système de drainage autour de l'appareil extérieur au cas où la condensation provoquerait des dommages.
- Lors de l'installation de l'appareil dans un hôpital ou un centre de communications, se préparer au bruit et aux interférences électroniques. Les inverseurs, les appareils électroménagers, les équipements médicaux haute fréquence et de communications radio peuvent provoquer un dysfonctionnement ou une défaillance de l'appareil extérieur. L'appareil extérieur peut également avoir une incidence sur les équipements médicaux et de communications, perturbant ainsi les soins et réduisant la qualité d'affichage des écrans.

1. Consignes de sécurité

1.2. Avant l'installation (déplacement)

⚠ Précaution:

- Transportez et installez les appareils avec précaution. L'appareil doit être transporté par deux personnes ou plus, car il pèse 20 kg minimum. Ne pas tirer les rubans d'emballage. Portez des gants de protection pour sortir l'appareil de son emballage et pour le déplacer, car vous risquez de vous blesser les mains sur les ergots ou les arêtes des autres pièces.
- Veiller à éliminer le matériel d'emballage en toute sécurité. Le matériel d'emballage (clous et autres pièces en métal ou en bois) peut provoquer des blessures.

- La base et les fixations de l'appareil extérieur doivent être vérifiées régulièrement pour éviter qu'elles ne se desserrent, se fissurent ou subissent d'autres dommages. Si ces défauts ne sont pas corrigés, l'appareil peut tomber et provoquer des dommages ou des blessures.
- Ne pas nettoyer l'appareil extérieur à l'eau au risque de provoquer un choc électrique.
- Serrer les écrous évasés, conformément aux spécifications, à l'aide d'une clé dynamométrique. Si les écrous sont trop serrés, ils peuvent se casser après un certain temps et provoquer une fuite de réfrigérant.

1.3. Avant l'installation électrique

⚠ Précaution:

- Veiller à installer des coupe-circuits. Dans le cas contraire, un choc électrique peut se produire.
- Pour les lignes électriques, utiliser des câbles standard de capacité suffisante. Dans le cas contraire, un court-circuit, une surchauffe ou un incendie peut se produire.
- Lors de l'installation des lignes électriques, ne pas mettre les câbles sous tension. Si les connexions sont desserrées, les câbles peuvent se rompre et provoquer une surchauffe ou un incendie.

- Veiller à mettre l'appareil à la terre. Ne pas relier le fil de terre aux conduites de gaz ou d'eau, aux paratonnerres ou aux lignes de terre téléphoniques. Une mise à la terre incorrecte de l'appareil peut provoquer un choc électrique.
- Utiliser des coupe-circuits (disjoncteur de fuite à la terre, interrupteur d'isolement (fusible +B) et disjoncteur à boîtier moulé) à la capacité spécifiée. Si la capacité du coupe-circuit est supérieure à celle spécifiée, une défaillance ou un incendie peut se produire.

1.4. Avant la marche d'essai (pour climatiseurs uniquement)

⚠ Précaution:

- Activer l'interrupteur principal au moins 12 heures avant la mise en fonctionnement de l'appareil. L'utilisation de l'appareil juste après sa mise sous tension peut endommager sérieusement les pièces internes. Laisser l'interrupteur activé pendant la période d'utilisation.
- Avant d'utiliser l'appareil, vérifier que tous les panneaux, toutes les protections et les autres pièces de sécurité sont correctement installés. Les pièces tournantes, chaudes ou à haute tension peuvent provoquer des blessures.

- Ne pas toucher les interrupteurs les mains humides au risque de provoquer un choc électrique.
- Ne pas toucher les tuyaux de réfrigérant les mains nues lors de l'utilisation. Les tuyaux de réfrigérant sont chauds ou froids en fonction de l'état du réfrigérant qu'ils contiennent. Toucher les tuyaux peut provoquer des brûlures ou des gelures.
- A la fin de l'utilisation de l'appareil, attendre au moins cinq minutes avant de désactiver l'interrupteur principal. Dans le cas contraire, une fuite d'eau ou une défaillance peut se produire.

1.5. Utilisation d'un appareil extérieur avec le réfrigérant R410A

⚠ Précaution:

- Utiliser le cuivre phosphoreux C1220, pour des tuyaux sans soudure en cuivre et en alliage de cuivre, pour raccorder les tuyaux de réfrigérant. Vérifier que l'intérieur des tuyaux est propre et dépourvu de tout agent nocif tel que des composés sulfuriques, des oxydants, des débris ou des saletés. Utiliser des tuyaux d'épaisseur spécifiée. (Se reporter à la 4.1.). Respecter les instructions suivantes en cas de réutilisation de tuyaux de réfrigérant R22 existants.
- Remplacer les écrous évasés existants et évaser de nouveau les sections évasées.
- Ne pas utiliser de tuyaux fins. (Se reporter à la 4.1.)
- Stocker à l'intérieur les tuyaux à utiliser pendant l'installation et couvrir les deux extrémités jusqu'au processus de brasage. (Laisser les joints de coude, etc. dans leur emballage.) L'infiltration de poussières, de débris ou d'humidité dans les tuyaux de réfrigérant peut affecter la qualité de l'huile ou endommager le compresseur.
- Appliquer une petite quantité d'huile ester, éther ou alkylbenzène comme huile réfrigérante sur les sections évasées. Le mélange d'huile minérale et d'huile réfrigérante peut affecter la qualité de l'huile.
- Ne pas utiliser un réfrigérant autre que le réfrigérant R410A. Si c'est le cas, le chlore peut affecter la qualité de l'huile.

- Utiliser les outils suivants spécialement conçus pour une utilisation avec le réfrigérant R410A. Les outils suivants sont nécessaires pour utiliser le réfrigérant R410A. En cas de questions, contacter le revendeur le plus proche.

Outils (pour R410A)	
Collecteur jauge	Outil d'évasement
Tuyau de charge	Jauge de réglage de la taille
Détecteur de fuite de gaz	Adaptateur pour pompe à vide
Clé dynamométrique	Echelle électronique de charge de réfrigérant

- Veiller à utiliser les outils adaptés. L'infiltration de poussières, de débris ou d'humidité dans les tuyaux de réfrigérant peut affecter la qualité de l'huile réfrigérante.
- Ne pas utiliser un cylindre de charge. L'utilisation d'un cylindre de charge peut modifier la composition du réfrigérant et réduire son efficacité.

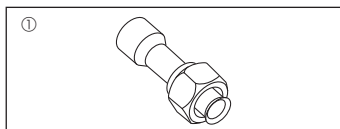


Fig. 1-1

1.6. Accessoires de l'appareil extérieur (Fig. 1-1) (SHW230)

Les pièces illustrées à gauche sont les accessoires de l'appareil qui sont apposés à l'intérieur du panneau de service.

- ① Tuyau de jointurex1

2. Emplacement pour l'installation

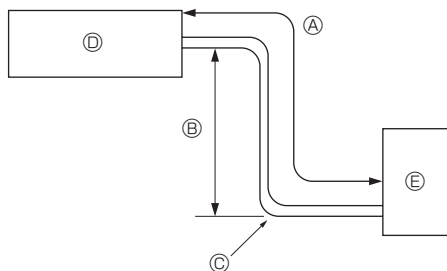


Fig. 2-1

2.1. Tuyaux de réfrigérant (Fig. 2-1)

- ▶ Vérifier que la différence de hauteur entre les appareils intérieur et extérieur, la longueur du tuyau de réfrigérant et le nombre de coudes permis dans le tuyau se situent au sein des limites reprises dans le tableau ci-dessous.

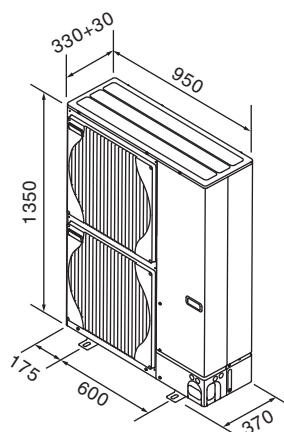
Modèles	Ⓐ Longueur du tuyau (un sens)	Ⓑ Différence de hauteur	Ⓒ Nombre de coudes (un sens)
SHW80, 112, 140	2 m - 75 m	Max. 30 m	Max. 15
SHW230	2 m - 80 m	Max. 30 m	Max. 15

- La limite de différence d'élévation s'applique à toutes dispositions d'appareils intérieurs et extérieurs, sans tenir compte de celui qui est le plus élevé.

- Ⓓ Appareil intérieur
- Ⓔ Appareil extérieur

2. Emplacement pour l'installation

■ SHW80, 112, 140



■ SHW230

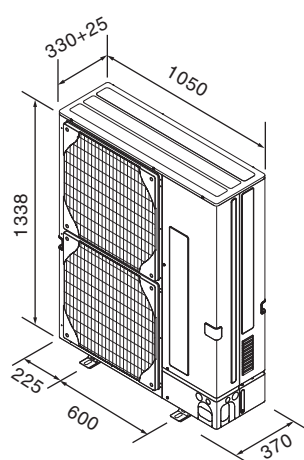


Fig. 2-2

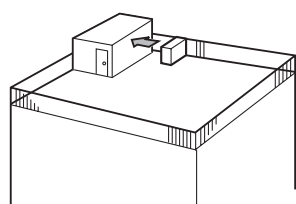


Fig. 2-3

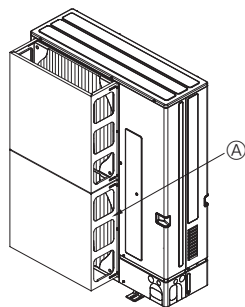


Fig. 2-4

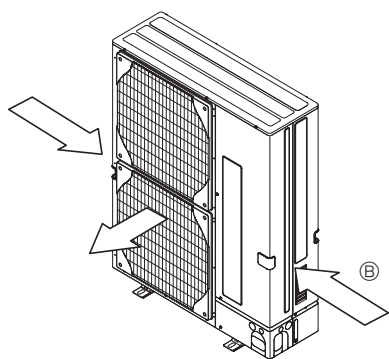


Fig. 2-5

2.2. Sélection de l'emplacement d'installation de l'appareil extérieur

- Eviter les endroits exposés au rayonnement solaire direct ou à d'autres sources de chaleur.
- Sélectionner un endroit où le bruit de l'appareil n'incommodera pas le voisinage.
- Sélectionner un endroit permettant un accès facile des câbles et tuyaux à la source d'alimentation et à l'appareil intérieur.
- Eviter les endroits exposés à des risques de fuite, d'échappement ou d'accumulation de gaz.
- Ne pas oublier que des gouttes d'eau peuvent couler de l'appareil lors de son utilisation.
- Sélectionner un endroit de niveau pouvant supporter le poids et les vibrations de l'appareil.
- Eviter les endroits où l'appareil peut être recouvert de neige. Dans les zones où les chutes de neige importantes sont prévisibles, certaines précautions (par ex., relever l'emplacement d'installation ou installer une hotte sur l'arrivée d'air) doivent être prises pour éviter que la neige ne bloque l'arrivée d'air ou ne tombe directement dessus. La circulation de l'air risque de diminuer et d'entraîner un dysfonctionnement.
- Eviter les endroits exposés à l'huile, à la vapeur ou au gaz sulfurique.
- Utiliser les poignées de transport (quatre emplacements à gauche, à droite, à l'avant et à l'arrière) de l'appareil extérieur pour le déplacer. Transporter l'appareil par le bas peut provoquer des pincements aux mains ou aux doigts.

2.3. Dimensions extérieures (Appareil extérieur) (Fig. 2-2)

2.4. Ventilation et espace de service

2.4.1. Installation à un endroit exposé au vent

Lors de l'installation de l'appareil extérieur sur un toit ou à d'autres endroits non protégés du vent, diriger la sortie d'air de l'appareil vers le côté qui n'est pas directement exposé aux vents forts. Le vent soufflant dans la sortie d'air peut empêcher l'air de circuler normalement et provoquer un dysfonctionnement.

Voici trois exemples de précautions à prendre.

- ① Positionner la sortie d'air vers le mur le plus proche et à environ 50 cm de celui-ci. (Fig. 2-3)
- ② Installer un guidage d'air optionnel si l'appareil est placé dans un endroit où les vents violents d'une tempête, par exemple, pourraient s'engouffrer directement dans la sortie d'air. (Fig. 2-4)
 - Ⓐ Guide de protection de l'air
- ③ Placer l'appareil de sorte que la sortie d'air souffle dans la direction perpendiculaire à celle des vents saisonniers, si celle-ci est connue. (Fig. 2-5)
 - Ⓑ Sens du vent

2.4.2. Lors de l'installation d'un seul appareil extérieur (Voir en dernière page)

Les dimensions minimales sont les suivantes, à l'exception des valeurs Max., indiquant les dimensions maximales.

Utiliser les chiffres pour chaque cas.

- ① Obstacles uniquement à l'arrière (Fig. 2-6)
- ② Obstacles uniquement à l'arrière et au-dessus (Fig. 2-7)
- ③ Obstacles uniquement à l'arrière et sur les côtés (Fig. 2-8)
- ④ Obstacles uniquement à l'avant (Fig. 2-9)
 - * Lors de l'utilisation les guidages de sortie d'air en option, le jeu est de 500 mm minimum.
- ⑤ Obstacles uniquement à l'avant et à l'arrière (Fig. 2-10)
 - * Lors de l'utilisation les guidages de sortie d'air en option, le jeu est de 500 mm minimum.
- ⑥ Obstacles uniquement à l'arrière, sur les côtés et au-dessus (Fig. 2-11)
 - * Ne pas utiliser les guidages de sortie d'air en option pour un débit d'air vers le haut.

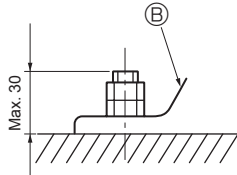
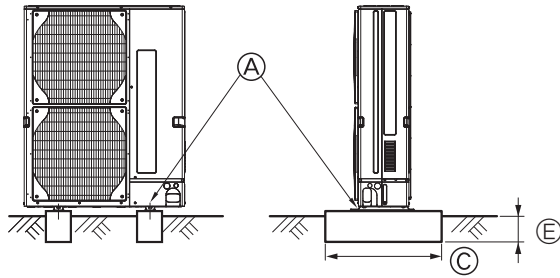
2.4.3. Lors de l'installation de plusieurs appareils extérieurs (Voir en dernière page)

Espacer les appareils de 10 mm minimum.

- ① Obstacles uniquement à l'arrière (Fig. 2-12)
- ② Obstacles uniquement à l'arrière et au-dessus (Fig. 2-13)
 - * Ne pas installer côte à côte plus de trois appareils. Espacer également les appareils, comme illustré.
 - * Ne pas utiliser les guidages de sortie d'air en option pour un débit d'air vers le haut.
- ③ Obstacles uniquement à l'avant (Fig. 2-14)
 - * Lors de l'utilisation les guidages de sortie d'air en option, le jeu est de 1000 mm minimum.
- ④ Obstacles uniquement à l'avant et à l'arrière (Fig. 2-15)
 - * Lors de l'utilisation les guidages de sortie d'air en option, le jeu est de 1000 mm minimum.
- ⑤ Disposition pour un seul appareil parallèle (Fig. 2-16)
 - * Lors de l'utilisation les guidages de sortie d'air en option installé pour un débit d'air vers le haut, le jeu est de 1000 mm minimum.
- ⑥ Disposition pour plusieurs appareils parallèles (Fig. 2-17)
 - * Lors de l'utilisation les guidages de sortie d'air en option installé pour un débit d'air vers le haut, le jeu est de 1500 mm minimum.
- ⑦ Disposition pour appareils empilés (Fig. 2-18)
 - * Il est possible d'empiler jusqu'à deux appareils.
 - * Ne pas installer côte à côte plus de deux appareils empilés. Espacer également les appareils, comme illustré.

3. Installation de l'appareil extérieur

(mm)



- Ⓐ Boulon M10 (3/8 ème de pouce)
- Ⓑ Base
- Ⓒ Aussi long que possible.
- Ⓓ Ventilateur
- Ⓔ Profondément enfoncé dans la terre

- Bien installer l'appareil sur une surface solide et de niveau, de façon à éviter tout bruit de crécelle pendant le fonctionnement. (Fig. 3-1)

<Spécifications de la fondation>

Boulon de fondation	M10 (3/8 ème de pouce)
Epaisseur de béton	120 mm
Longueur des boulons	70 mm
Résistance au poids	320 kg

- S'assurer que la longueur des boulons de fondation ne dépasse pas 30 mm par rapport à la surface inférieure de la base.
- Fixer fermement la base de l'appareil avec quatre boulons de fondation M10 placés à des endroits suffisamment robustes.

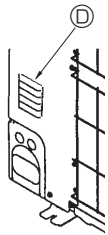
Installation de l'appareil extérieur

- Ne pas bloquer le ventilateur. Si le ventilateur est bloqué, l'appareil sera ralenti et risque d'être endommagé.
- Pour installer l'appareil, utiliser, si nécessaire et en plus de la base de l'appareil, les orifices d'installation situés à l'arrière pour fixer les câbles, etc. Utiliser des vis autotaraudeuses (ø5 × 15 mm ou moins) et installer l'appareil sur site.

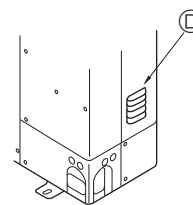
⚠ Avertissement:

- L'appareil doit être solidement installé sur une structure pouvant supporter son poids. Si l'appareil est fixé sur une structure instable, il risque de tomber et de provoquer des dommages ou des blessures.
- L'appareil doit être installé conformément aux instructions pour réduire les risques de dommages liés à des tremblements de terre, des typhons ou des vents violents. Une installation incorrecte peut entraîner la chute de l'appareil et provoquer des dommages ou des blessures.

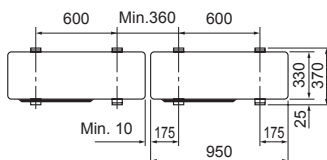
■ SHW80, 112, 140



■ SHW230



■ SHW80, 112, 140



■ SHW230

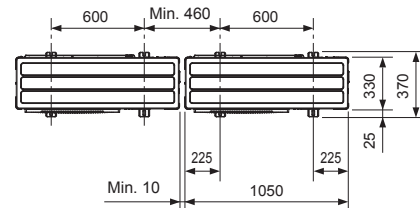


Fig. 3-1

4. Installation de la tuyauterie du réfrigérant

4.1. Consignes pour appareils utilisant le réfrigérant R410A

- Se reporter à la section 1.5. pour les précautions non reprises ci-dessous concernant l'utilisation de l'appareil extérieur avec le réfrigérant R410A.
- Appliquer une petite quantité d'huile ester, éther ou alkylbenzène comme huile réfrigérante sur les sections évasées.
- Utiliser le cuivre phosphoreux C1220, pour des tuyaux sans soudure en cuivre et en alliage de cuivre, pour raccorder les tuyaux de réfrigérant. Utiliser les tuyaux de réfrigérant dont l'épaisseur est spécifiée dans le tableau ci-dessous. Vérifier que l'intérieur des tuyaux est propre et dépourvu de tout agent nocif tel que des composés sulfuriques, des oxydants, des débris ou des saletés. Lors du brasage des tuyaux, toujours effectuer un brasage sans oxydation, sinon, le compresseur risque d'être endommagé.

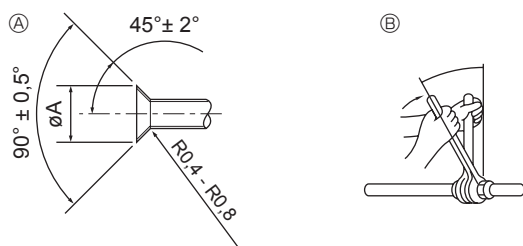
⚠ Avertissement:

Lors de l'installation, du déplacement ou de l'entretien de l'appareil extérieur, charger les tuyaux de réfrigérant uniquement avec le réfrigérant spécifié (R410A). Ne pas le mélanger avec un autre réfrigérant et faire le vide d'air dans les tuyaux. Si du réfrigérant est mélangé avec de l'air, cela peut provoquer des pointes de pression dans les tuyaux de réfrigérant et entraîner une explosion et d'autres risques. L'utilisation d'un réfrigérant différent de celui spécifié pour le climatiseur peut entraîner des défaillances mécaniques, des dysfonctionnements du système ou une panne de l'appareil. Dans le pire des cas, cela peut entraîner un obstacle à la mise en sécurité du produit.

Taille du tuyau (mm)	φ6,35	φ9,52	φ12,7	φ15,88	φ19,05	φ22,2	φ25,4	φ28,58
Epaisseur (mm)	0,8	0,8	0,8	1,0	1,0	1,0	1,0	1,0

- Ne pas utiliser de tuyaux plus fins que ceux spécifiés ci-dessus.
- Utiliser des tuyaux 1/2 H ou H si le diamètre est de 19,05 mm ou plus.

4. Installation de la tuyauterie du réfrigérant



- Ⓐ Dimension de l'évasement
Ⓑ Couple de serrage du raccord conique

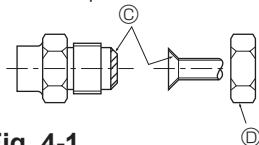


Fig. 4-1

Ⓐ (Fig. 4-1)

Diam. ext. Tuyau en cuivre (mm)	Dimensions évasement Dimensions ØA (mm)
ø6,35	8,7 - 9,1
ø9,52	12,8 - 13,2
ø12,7	16,2 - 16,6
ø15,88	19,3 - 19,7
ø19,05	23,6 - 24,0

Ⓑ (Fig. 4-1)

Diam. ext. Tuyau en cuivre (mm)	Diam. ext. raccord conique (mm)	Couple de serrage (N·m)
ø6,35	17	14 - 18
ø6,35	22	34 - 42
ø9,52	22	34 - 42
ø12,7	26	49 - 61
ø12,7	29	68 - 82
ø15,88	29	68 - 82
ø15,88	36	100 - 120
ø19,05	36	100 - 120

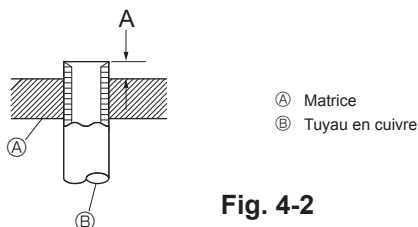
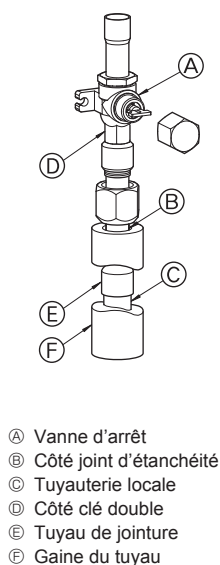
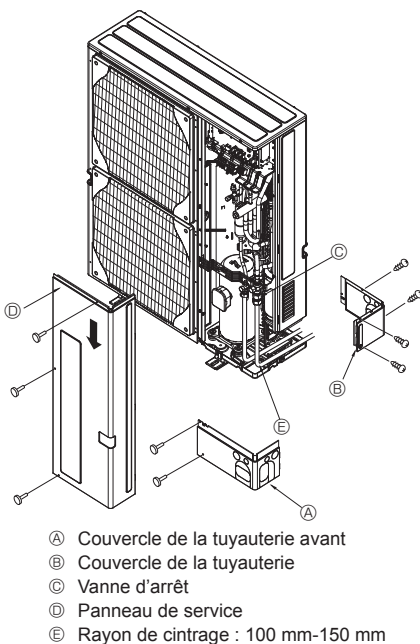


Fig. 4-2



- Ⓐ Vanne d'arrêt
Ⓑ Côté joint d'étanchéité
Ⓒ Tuyauterie locale
Ⓓ Côté clé double
Ⓔ Tuyau de jointure
Ⓕ Gaine du tuyau

Fig. 4-3



- Ⓐ Couverture de la tuyauterie avant
Ⓑ Couverture de la tuyauterie
Ⓒ Vanne d'arrêt
Ⓓ Panneau de service
Ⓔ Rayon de cintrage : 100 mm-150 mm

Fig. 4-4

4.2. Connexion des tuyaux (Fig. 4-1)

- En cas d'utilisation de tuyaux en cuivre disponibles sur le marché, envelopper les tuyaux de liquide et de gaz avec de la matière isolante vendue dans le commerce sur le marché (résistant à une chaleur de 100°C ou supérieure et d'une épaisseur de 12 mm ou plus).
- Assurez-vous de mettre en place séparément les isolations thermiques des tuyaux des réfrigérants gazeux et liquides.
- Les parties intérieures du tuyau d'écoulement doivent également être entourées de matière isolante en mousse de polyéthylène (avec une poids spécifique de 0,03 et de 9 mm d'épaisseur ou plus).
- Appliquer un film mince d'huile réfrigérante sur la surface du tuyau et du support du joint avant de serrer l'écrou évasé. Ⓐ
- Utiliser 2 clés pour serrer les connexions des tuyaux. Ⓑ
- Lorsque le raccord des tuyaux est terminé, utiliser un détecteur de fuite de gaz ou une solution savonneuse à base d'eau pour s'assurer qu'il n'y ait pas de fuite de gaz.
- Appliquer de l'huile réfrigérante sur toute la surface évasée du fond. Ⓒ
- Utiliser les écrous évasés correspondant aux tailles de tuyaux suivantes. Ⓓ

	SHW80, 112, 140	SHW230
Côté gaz	Diamètre du tuyau (mm) ϕ 15,88	ϕ 25,4
Côté liquide	Diamètre du tuyau (mm) ϕ 9,52	ϕ 12,7

- Veiller à ne pas rompre les tuyaux lors de leur courbure. Des rayons de courbure compris entre 100 mm à 150 mm suffisent.
- Vérifier que les tuyaux ne touchent pas le compresseur. Des vibrations ou des bruits anormaux pourraient se produire.

- Raccorder les tuyaux en commençant par l'appareil intérieur. Serrer les écrous évasés à l'aide d'une clé dynamométrique.
- Evaser les conduits de liquide et de gaz, puis appliquer un film mince d'huile réfrigérante (application sur site).
- Si un procédé d'étanchéité traditionnel est utilisé pour les tuyaux, se reporter au tableau 1 pour l'évasement des tuyaux de réfrigérant R410A. La jauge de réglage de la taille peut être utilisée pour confirmer les mesures A.

Tableau 1 (Fig. 4-2)

Diam. ext. Tuyau en cuivre (mm)	A (mm)	
	Outil d'évasement pour le R410A	Outil d'évasement pour le R22-R407C
	Type embrayage	
ø6,35 (1/4")	0 - 0,5	1,0 - 1,5
ø9,52 (3/8")	0 - 0,5	1,0 - 1,5
ø12,7 (1/2")	0 - 0,5	1,0 - 1,5
ø15,88 (5/8")	0 - 0,5	1,0 - 1,5
ø19,05 (3/4")	0 - 0,5	1,0 - 1,5

- Respecter la procédure suivante pour le raccordement des tuyaux côté gaz. (Fig. 4-3) (SHW230)

- Braser le tuyau de jointure Ⓔ fourni pour l'appareil extérieur à l'aide du matériel de brasage acheté auprès d'un revendeur local et du tuyau local Ⓒ sans oxygène.
- Connecter le tuyau de jointure Ⓔ à la vanne d'arrêt côté gaz. Utiliser deux clés pour serrer le raccord conique.

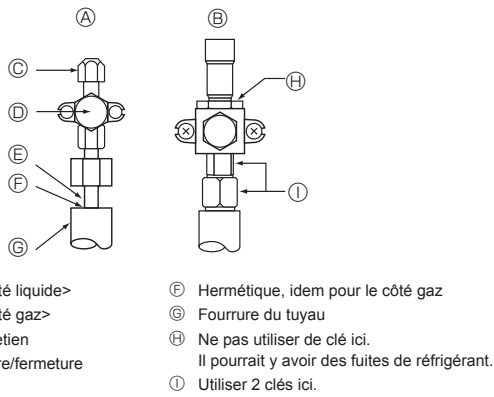
* Si l'ordre est inversé, une fuite de réfrigérant se produira en raison de l'endommagement de la pièce par la flamme du brasage.

4.3. Mise en place des tuyaux de réfrigérant (Fig. 4-4)

Retirer le panneau de service Ⓓ (3 vis), le cache-tuyaux avant Ⓐ (2 vis) et le cache-tuyaux arrière Ⓑ (2 vis: SHW80 - 140) (4 vis: SHW230).

- Effectuer les raccordements des tuyaux de réfrigérant de l'appareil intérieur/extérieur lorsque la vanne d'arrêt de l'appareil extérieur est complètement fermée.
- Faire le vide d'air de l'appareil intérieur et des tuyaux de raccordement.
- Une fois les tuyaux de réfrigérant raccordés, vérifier les éventuelles fuites de gaz dans les tuyaux raccordés et l'appareil intérieur. (Voir 4.4. Test d'étanchéité des tuyaux de réfrigérant.)
- Une pompe à vide haute performance est branchée sur l'orifice de service de la vanne d'arrêt de liquide de façon à maintenir une dépression suffisamment longue (une heure minimum une fois que le relevé -101 kPa (5 Torr)) est atteint pour sécher sous vide l'intérieur des tuyaux. Toujours contrôler le degré de dépression indiqué par le manomètre. Si les tuyaux présentent toujours une certaine humidité, le degré de dépression peut ne pas être atteint suite à une opération de séchage sous vide brève. Suite à l'opération de séchage sous vide, ouvrir complètement les vannes d'arrêt (de liquide et de gaz) de l'appareil extérieur. Ceci permet de relier complètement les circuits de refroidissement des appareils intérieur et extérieur.
 - Si le séchage sous vide est insuffisant, de l'air et de la vapeur d'eau peuvent rester dans les circuits de refroidissement et provoquer une augmentation ou une chute anormale de la pression, une détérioration de l'huile du système de réfrigération, etc. en raison de la présence d'humidité.
 - Faire fonctionner l'appareil sans avoir ouvert les vannes d'arrêt risque d'endommager le compresseur et la vanne de commande.
 - Utiliser un détecteur de fuites ou de l'eau savonneuse pour vérifier les éventuelles fuites de gaz aux sections de raccordement des tuyaux de l'appareil extérieur.
 - Ne pas utiliser le réfrigérant de l'appareil pour faire le vide d'air des tuyaux de réfrigérant.
 - Après avoir utilisé les vannes, resserrer leurs capuchons au couple correct : 20 à 25 N·m (200 à 250 kgf·cm). Si les capuchons sont mal remplacés ou resserrés, une fuite de réfrigérant peut se produire. Veiller également à ne pas endommager l'intérieur des capuchons des vannes car leur étanchéité empêche les fuites de réfrigérant.
- Appliquer un agent d'étanchéité sur les extrémités de l'isolation thermique autour des sections de raccordement des tuyaux afin d'empêcher l'eau de pénétrer dans l'isolation thermique.

4. Installation de la tuyauterie du réfrigérant



- A Vanne d'arrêt <côté liquide>
 B Vanne d'arrêt <côté gaz>
 C Orifice pour l'entretien
 D Section d'ouverture/fermeture
 E Tuyau local
 F Hermétique, idem pour le côté gaz
 G Fourrure du tuyau
 H Ne pas utiliser de clé ici. Il pourrait y avoir des fuites de réfrigérant.
 I Utiliser 2 clés ici.

Fig. 4-5

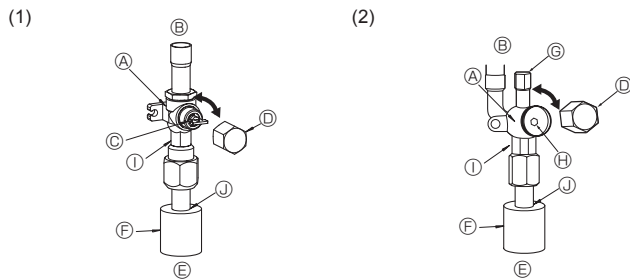


Fig. 4-6

Fig. 4-7

- A Vanne
 B Côté appareil
 C Poignée
 D Capuchon
 E Côté tuyau local
 F Gaine du tuyau
 G Orifice pour l'entretien
 H Orifice pour la clé
 I Côté clé double (Utiliser une clé de ce côté uniquement. Dans le cas contraire, une fuite de liquide pourrait en résulter.)
 J Côté joint d'étanchéité (Etancher l'extrémité de l'isolation thermique du côté du raccord du tuyau avec un produit d'étanchéité quelconque pour éviter toute infiltration d'eau dans le matériel d'isolation thermique.)

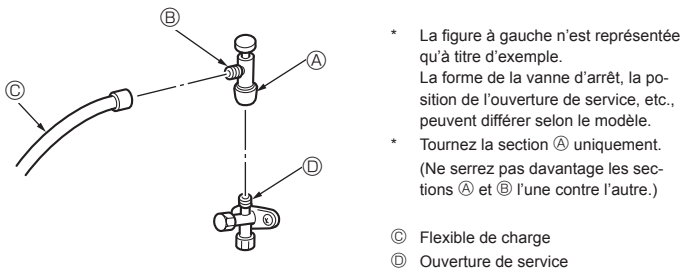


Fig. 4-8

- * La figure à gauche n'est représentée qu'à titre d'exemple. La forme de la vanne d'arrêt, la position de l'ouverture de service, etc., peuvent différer selon le modèle.
 * Tournez la section (A) uniquement. (Ne serrez pas davantage les sections (A) et (B) l'une contre l'autre.)

- C Flexible de charge
 D Ouverture de service

4.4. Test d'étanchéité des tuyaux de réfrigérant (Fig. 4-5)

(1) Connecter les outils de test.

- Vérifier que les vannes d'arrêt (A) et (B) sont fermées et ne pas les ouvrir.
- Ajouter de la pression dans les tuyaux de réfrigérant par l'orifice de service (C) de la vanne d'arrêt de liquide (A).

(2) Ne pas ajouter en une seule fois de pression à la pression spécifiée mais progressivement.

- ① Pressuriser jusqu'à 0,5 MPa (5 kgf/cm²G), attendre cinq minutes et vérifier que la pression ne diminue pas.
- ② Pressuriser jusqu'à 1,5 MPa (15 kgf/cm²G), attendre cinq minutes et vérifier que la pression ne diminue pas.
- ③ Pressuriser jusqu'à 4,15 MPa (41,5 kgf/cm²G), puis mesurer la température ambiante et la pression du réfrigérant.

(3) Si la pression spécifiée se maintient pendant environ une journée sans diminuer, les tuyaux ne présentent pas de fuite.

- Si la température ambiante varie de 1°C, la pression varie d'environ 0,01 MPa (0,1 kgf/cm²G). Apporter les corrections nécessaires.

(4) Si la pression diminue à l'étape (2) ou (3), il y a une fuite de gaz. Rechercher l'origine de la fuite de gaz.

4.5. Comment ouvrir la vanne d'arrêt

La méthode d'ouverture de la vanne d'arrêt varie selon le modèle de l'appareil extérieur. Ouvrir les vannes d'arrêt conformément à la méthode appropriée.

(1) Côté gaz (Fig. 4-6)

- ① Enlever le capuchon, ramener la poignée vers soi et la tourner d'un quart de tour en sens inverse des aiguilles d'une montre pour ouvrir la vanne.
- ② Vérifier que la vanne d'arrêt est complètement ouverte, appuyer sur la poignée et tourner le capuchon pour le ramener sur sa position d'origine.

(2) Côté liquide (Fig. 4-7)

- ① Retirez le bouchon, et tournez la tige de soupape à fond dans le sens antihoraire avec une clé hexagonale de 4 mm. Arrêtez de tourner quand elle frappe la retenue. (ø9,52: env. 10 tours)
- ② Vérifier que la vanne d'arrêt est complètement ouverte, appuyer sur la poignée et tourner le capuchon pour le ramener sur sa position d'origine.

Les tuyaux de réfrigérant sont entourés d'une couche de protection

- Les tuyaux peuvent être entourés, après ou avant avoir été raccordés, d'une couche de protection allant jusqu'à ø90. Découper la rondelle défonçable du cache-tuyaux en suivant la rainure et envelopper les tuyaux.

Orifice d'entrée du tuyau

- Appliquer du mastic ou un agent d'étanchéité sur l'entrée des tuyaux pour éviter tout espace.

(Si les espaces ne sont pas supprimés, l'appareil risque de fonctionner bruyamment ou d'être endommagé à cause d'une infiltration d'eau et de poussières.)

Précautions à prendre lors de l'utilisation de la soupape de charge (Fig. 4-8)

Ne serrez pas trop l'ouverture de service au moment de l'installer, car vous pourriez déformer le corps de la soupape et des fuites pourraient se produire. Après avoir posé la section (B) dans la direction désirée, tournez la section (A) uniquement et serrez-la.

Ne serrez pas davantage les sections (A) et (B) l'une contre l'autre après avoir serré la section (A).

⚠ Avertissement:

Pendant l'installation de l'appareil, brancher correctement les tuyaux de réfrigérant avant de lancer le compresseur.

4.6. Ajout de produit réfrigérant

- Aucune charge supplémentaire n'est nécessaire pour cet appareil si la longueur du tuyau ne dépasse pas 30 m.
- Si le tuyau mesure plus de 30 m de long, rajouter du réfrigérant R410A dans l'appareil conformément aux longueurs de tuyaux permises mentionnées dans le tableau ci-dessous.

* Une fois l'appareil arrêté, le charger de réfrigérant supplémentaire par la vanne d'arrêt de liquide après avoir vidé les extensions de tuyaux et l'appareil intérieur.

Lors de l'utilisation de l'appareil, ajouter du réfrigérant par le clapet de non-retour du gaz à l'aide d'un chargeur de sécurité. Ne pas ajouter de réfrigérant liquide directement par le clapet de non-retour.

* Une fois l'appareil chargé de réfrigérant, noter la quantité de réfrigérant ajouté sur l'étiquette de service (collée sur l'appareil). Pour plus d'informations, se reporter à la section "1.5. Utilisation d'un appareil extérieur avec le réfrigérant R410A".

- L'installation de plusieurs appareils doit se faire avec précaution. Le raccordement à un appareil intérieur défaillant peut entraîner une pression anormalement élevée et altérer sérieusement les performances de l'appareil.

Modèle	Longueur de tuyau autorisée	Différence verticale autorisée	Quantité de charge de réfrigérant initiale	Quantité de charge de réfrigérant ajouté			
				31 - 40 m	41 - 50 m	51 - 60 m	61 - 75 m
SHW80, 112, 140	2 m - 75 m	Max. 30 m	5,5 kg	0,6 kg	1,2 kg	1,8 kg	2,4 kg

Modèle	Longueur de tuyau autorisée	Différence verticale autorisée	Quantité de charge de réfrigérant initiale	Méthode de fonctionnement	Taille du tuyau de liquide	Quantité de charge de réfrigérant ajouté					
						21 - 30 m	31 - 40 m	41 - 50 m	51 - 60 m	61 - 70 m	71 - 80 m
SHW230	2 m - 80 m*1	Max. 30 m	7,1 kg	ATW	ø 12,7	–	1,4 kg	2,8 kg	4,2 kg	5,6 kg	7,0 kg
					ø 9,52	–	–	0,8 kg	1,7 kg	2,6 kg	3,5 kg
					ø 12,7	1,4 kg	2,8 kg	4,2 kg	5,6 kg	7,0 kg	8,4 kg
					ø 9,52	–	0,8 kg	1,7 kg	2,6 kg	3,5 kg	4,4 kg
ATA / AHU					ø 12,7	1,4 kg	2,8 kg	4,2 kg	5,6 kg	7,0 kg	8,4 kg
					ø 9,52	–	0,8 kg	1,7 kg	2,6 kg	3,5 kg	4,4 kg

*1. Placer la carte de commande SW8-2 sur ON quand la longueur du tuyau est de 10 m ou moins (SHW230YKA2R2 ou ultérieur).

4. Installation de la tuyauterie du réfrigérant

<Limites d'installation du tuyau de réfrigérant >

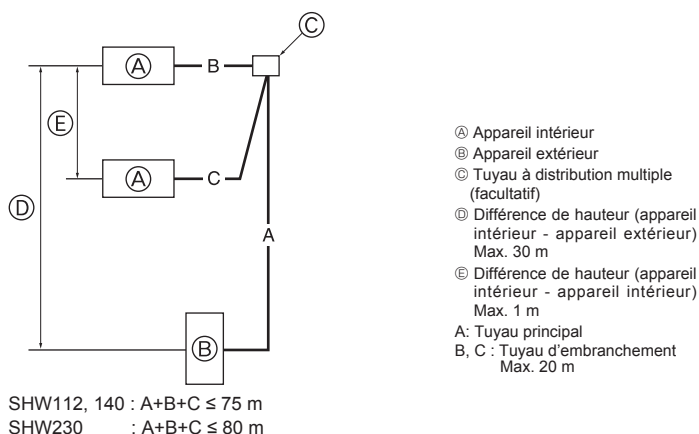


Fig. 4-9

5. Mise en place du tuyau d'écoulement

Raccordement du tuyau d'écoulement de l'appareil extérieur

La série PUAZ-SHW ne peut pas être raccordée à l'aide d'un tuyau d'écoulement en raison des spécifications d'installation en zone froide.

6. Tuyauterie d'eau (pour pompe thermique air/eau uniquement)

Quantité minimale d'eau

La quantité d'eau suivante est requise dans le circuit d'eau.

Modèle	Quantité minimale d'eau (l)
SHW80	34
SHW112	48
SHW140	60
SHW230	99

Veiller à prendre des mesures de protection contre le gel, telles que l'utilisation d'une solution antigel, lorsque l'unité est utilisée en mode de refroidissement à basse température ambiante (inférieure à 0 °C).

7. Installations électriques

7.1. Appareil extérieur (Fig. 7-1, Fig. 7-2)

- ① Retirer le panneau de service.
- ② Effectuer le câblage conformément aux Fig. 7-1 et 7-2.

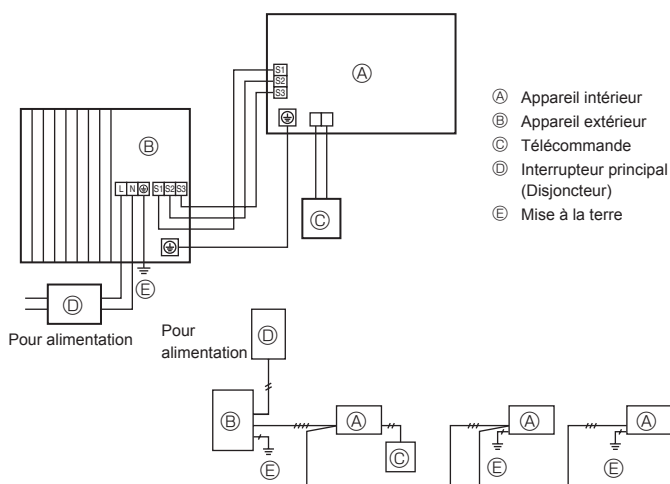
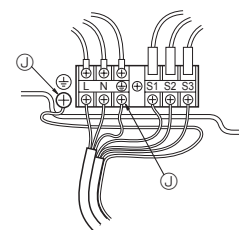


Fig. 7-1

■ SHW80, 112V



■ SHW112 - 230Y

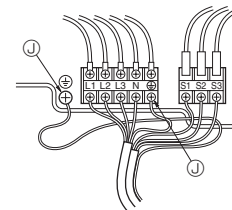


Fig. 7-2

- Ⓕ Bloc de raccordement
 Ⓖ Bloc de raccordement intérieur/extérieur (S1, S2, S3)
 Ⓗ Panneau de service
 Ⓘ Attache
 ⓵ Borne de terre

* Serrer les câbles de sorte qu'ils ne touchent pas le centre du panneau de service ou la vanne de gaz.

Remarque :

Si la feuille protectrice du boîtier électrique est retirée pendant l'entretien, veiller à la remettre en place.

⚠ Précaution:

Veillez à installer la conduite N. En l'absence de conduite N, l'appareil risque d'être endommagé.

Remarque: Pour pompe thermique air/eau uniquement
Si plusieurs appareils intérieurs (boîtes Hydro) sont raccordés à l'appareil extérieur, reliez la carte de circuit imprimé de l'un des appareils intérieurs à l'appareil extérieur (S1, S2, S3).

Il est impossible de raccorder les cartes de circuit imprimé de plusieurs appareils intérieurs à l'appareil extérieur.

7. Installations électriques

7.2. Câblage des champs électriques

Modèle de l'appareil extérieur	SHW80V	SHW112V	SHW112, 140Y	SHW230Y
Appareil extérieur alimentation	~N (Monophasé), 50 Hz, 230 V	~N (Monophasé), 50 Hz, 230 V	3N~ (3 ph 4-câbles), 50 Hz, 400 V	3N~ (3 ph 4-câbles), 50 Hz, 400 V
Capacité d'entrée de l'appareil extérieur	32 A	40 A	16 A	25 A
Interrupteur principal (Disjoncteur)	*1			
Câblage No du câble x taille en (mm ²)	Appareil extérieur alimentation	3 x Min. 4	3 x Min. 6	5 x Min. 1,5
	Appareil intérieur-appareil extérieur	*2	3 x 1,5 (Polarisé)	3 x 1,5 (Polarisé)
	Mise à la terre de l'appareil intérieur/extérieur	*2	1 x Min. 1,5	1 x Min. 1,5
	Raccordement de la commande à distance-appareil intérieur	*3	2 x 0,3 (Non polarisé)	2 x 0,3 (Non polarisé)
Tension du circuit	Appareil extérieur L-N (Monophasé)	230 Vca	230 Vca	230 Vca
	Appareil extérieur L1-N, L2-N, L3-N (triphasé)			
	Appareil intérieur-appareil extérieur S1-S2	*4	230 Vca	230 Vca
	Appareil intérieur-appareil extérieur S2-S3	*4	24 Vcc	24 Vcc
	Raccordement de la commande à distance-appareil intérieur	*4	12 Vcc	12 Vcc

*1. Utiliser un disjoncteur de fuite à la terre (NV) avec un écartement de 3,0 mm minimum entre les contacts de chaque pôle. S'assurer que le disjoncteur de fuite de courant est compatible avec les harmoniques les plus élevées. Veiller à toujours utiliser un disjoncteur de fuite de courant compatible avec les harmoniques les plus élevées car cet appareil est équipé d'un inverseur. L'utilisation d'un disjoncteur inapproprié peut provoquer un dysfonctionnement de l'onduleur.

*2. (SHW80 - 140)

45 m max.

En cas d'utilisation de 2,5 mm², 50 m max.

En cas d'utilisation de 2,5 mm² et S3 séparée, 80 m max.

(SHW230)

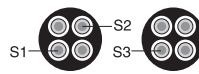
Max. 80 m - Total max. y compris l'ensemble de la connexion intérieure/ intérieure de 80 m.

* Utilisez un câble pour S1 et S2 et un autre pour S3 comme indiqué sur l'illustration.

*3. Un câble de 10 m est fixé à la télécommande.

*4. Les chiffres ne s'appliquent PAS toujours à la mise à la terre.

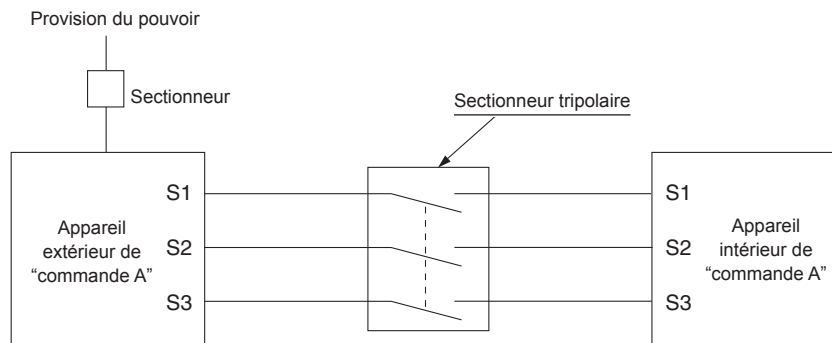
La borne S3 présente une différence de 24 Vcc par rapport à la borne S2. Les bornes S3 et S1 ne sont pas isolées électriquement par le transformateur ou tout autre appareil.



Remarques: 1. La taille des fils doit être conforme aux réglementations nationales et locales pertinentes.

2. Le poids des câbles de connexion entre l'appareil intérieur et l'appareil extérieur doit être égal ou supérieur au poids de câbles flexibles à gaine polychloroprène (conception 60245 IEC 57).

3. Utiliser un câble de terre plus long que les autres cordons pour éviter qu'il ne se débranche lorsqu'il est sous tension.



⚠ Avertissement:

- S'il s'agit d'un câblage de commande A, un risque de haute tension existe sur la borne S3 en raison d'une conception de circuit électrique dépourvue d'un isolant électrique entre la ligne de commande et la ligne de signal de communication. Par conséquent, mettre l'alimentation principale hors tension lors de l'entretien. Veiller également à ne pas toucher les bornes S1, S2 et S3 lorsque l'alimentation est sous tension. S'il faut placer un sectionneur entre les appareils extérieur et intérieur, en utiliser un de type tripolaire.
- Par température inférieure à -20°C, 12 heures de veille minimum avant fonctionnement sont nécessaires pour la montée en température des composants électriques.

Ne jamais effectuer de jonction du câble d'alimentation ou du câble de raccordement intérieur-extérieur car cela peut entraîner une surchauffe, un incendie ou un raccordement défaillant.

CÂBLE DE RACCORDEMENT INTÉRIEUR/EXTÉRIEUR (SHW230)

Section de câble	Dimension du câble (mm ²)	Nombre de fils	Polarité	L (m)*6
Rond	2,5	3	Sens des aiguilles d'une montre : S1-S2-S3 * Faire attention à la bande jaune et verte	(30) *2
Flat	2,5	3	Non applicable (Car le câble central n'a pas de finition de protection)	Non applicable *5
Flat	1,5	4	De gauche à droite : S1-Ouvert-S2-S3	(18) *3
Rond	2,5	4	Sens des aiguilles d'une montre : S1-S2-S3-Ouvert * Connecter S1 et S3 à l'angle opposé	(30) *4

*1 : Le poids des cordons d'alimentation des appareils ne doit pas être inférieur à celui du modèle 60245 IEC ou 227 IEC.

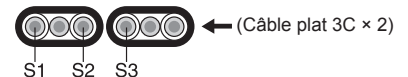
*2 : Si ce câble rayé jaune et vert est disponible.

*3 : En cas de connexion de polarité normale (S1-S2-S3), la dimension du câble est de 1,5 mm².

*4 : En cas de connexion de polarité normale (S1-S2-S3).

*5 : Si les câbles plats sont raccordés comme illustré, ils peuvent être utilisés jusqu'à 30 m.

*6 : La longueur de câble mentionnée n'est qu'une valeur de référence. Elle peut être différente en fonction des conditions d'installation, de l'humidité ou des équipements, etc.



Assurez-vous de brancher les câbles de raccordement intérieur-extérieur directement aux appareils (pas de raccordements intermédiaires).

Les raccordements intermédiaires peuvent entraîner des erreurs de communication si de l'eau entre dans les câbles et provoquer une isolation insuffisante à la terre ou un mauvais contact électrique au point de raccordement intermédiaire.

8. Marche d'essai (pour climatiseurs uniquement)

8.1. Avant la marche d'essai

- ▶ Lorsque l'installation, le tuyautage et le câblage des appareils intérieur et extérieur sont terminés, vérifier l'absence de fuites de réfrigérant, la fixation des câbles d'alimentation et de commande, l'absence d'erreur de polarité et contrôler qu'aucune phase de l'alimentation n'est déconnectée.
- ▶ Utiliser un mégohm-mètre de 500V pour s'assurer que la résistance entre les terminaux d'alimentation électrique et la terre soit au moins de 1 MΩ.
- ▶ Ne pas effectuer ce test sur les terminaux des câbles de contrôle (circuit à basse tension).

⚠ Avertissement:

Ne pas utiliser l'appareil extérieur si la résistance de l'isolation est inférieure à 1 MΩ.

Résistance de l'isolation

Après l'installation ou après la coupure prolongée de la source d'alimentation, la résistance de l'isolation chutera en deçà de 1 MΩ en raison de l'accumulation de réfrigérant dans le compresseur. Il ne s'agit pas d'un dysfonctionnement. Respectez les procédures suivantes.

1. Retirer les câbles du compresseur et mesurer la résistance de l'isolation du compresseur.
2. Si la résistance de l'isolation est inférieure à 1 MΩ, le compresseur est défaillant ou du réfrigérant s'est accumulé dans le compresseur.
3. Après avoir connecté les câbles au compresseur, celui-ci commence à chauffer dès qu'il est sous tension. Après avoir mis sous tension le compresseur pendant les durées indiquées ci-dessous, mesurer de nouveau la résistance de l'isolation.

- La résistance de l'isolation chute en raison de l'accumulation de réfrigérant dans le compresseur. La résistance dépassera 1 MΩ après que le compresseur a chauffé pendant 4 heures. (Le temps mis par le compresseur pour chauffer varie selon les conditions atmosphériques et l'accumulation de réfrigérant).
 - Pour faire fonctionner le compresseur dans lequel s'est accumulé du réfrigérant, il est nécessaire de le faire chauffer pendant au moins 12 heures afin d'éviter toute défaillance.
4. Si la résistance de l'isolation dépasse 1 MΩ, le compresseur n'est pas défectueux.

⚠ Précaution:

- **Le compresseur fonctionnera uniquement si les connexions des phases de l'alimentation électrique sont correctes.**
- **Mettez l'appareil sous tension au moins 12 heures avant de le faire fonctionner.**
- La mise en marche de l'appareil immédiatement après sa mise sous tension pourrait provoquer de sérieux dégâts aux éléments internes. Ne mettez pas l'appareil hors tension pendant la saison de fonctionnement.

▶ Les points suivants doivent être contrôlés également.

- L'appareil extérieur n'est pas défectueux. Les témoins 1 et 2 (DEL1 et DEL2) sur la carte de commande de l'appareil extérieur clignotent lorsque celui-ci est défectueux.
- Les vannes d'arrêt de liquide et de gaz sont complètement ouvertes.
- Une feuille protectrice recouvre la surface du panneau des commutateurs Dip sur la carte de commande de l'appareil extérieur. Retirer la feuille protectrice pour utiliser aisément les commutateurs Dip.

8.2. Marche d'essai

8.2.1. Utilisation de SW4 dans l'appareil extérieur

SW4-1	ON	Fonctionnement du rafraîchissement
SW4-2	OFF	
SW4-1	ON	Fonctionnement du chauffage
SW4-2	ON	

- * Après avoir effectué l'essai de fonctionnement, placer SW 4-1 sur OFF.
- Une fois sous tension, un cliquetis provenant de l'intérieur de l'appareil extérieur se fait entendre. Le détendeur électronique s'ouvre et se ferme. L'appareil n'est pas défectueux.
- Quelques secondes après le démarrage du compresseur, un bruit métallique provenant de l'intérieur de l'appareil extérieur peut retentir. Le bruit provient de la valve de contrôle et s'explique par une différence de pression minimale dans les tuyaux. L'appareil n'est pas défectueux.

Le mode d'essai ne peut pas être modifié via le commutateur Dip SW4-2 lors de la marche d'essai. (Pour ce faire, arrêter l'essai via le commutateur Dip SW4-1. Une fois le mode modifié, reprendre l'essai via le commutateur SW4-1.)

8.2.2. Utilisation de la télécommande

Reportez-vous au manuel d'installation de l'appareil intérieur.

Remarque :

Parfois, la fumée pouvant être générée par l'opération de dégivrage peut ressembler à de la fumée sortant de l'appareil extérieur.

9. Fonctions spéciales

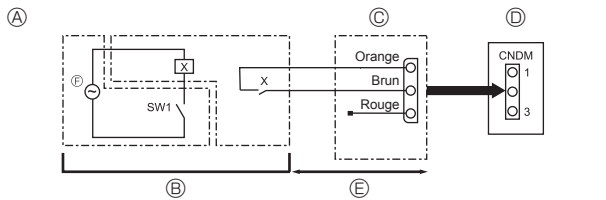


Fig. 9-1

- (A) Exemple de diagramme de circuit (mode à faible bruit)
 (B) Disposition sur site
 (C) Adaptateur d'entrée externe (PAC-SC36NA-E)
 X: Relais
 (D) Carte de commande de l'appareil extérieur
 (E) Max. 10 m
 (F) Alimentation pour le relais

9.1. Mode à faible bruit (modification sur site) (Fig. 9-1)

En apportant la modification suivante, le bruit de fonctionnement de l'appareil extérieur peut être réduit d'environ 3 à 4 dB.

Le mode à faible bruit est activé lorsqu'un temporisateur disponible dans le commerce ou l'entrée par contact d'un commutateur MARCHE/ARRET est ajouté au connecteur CNDM (option) sur la carte de commande de l'appareil extérieur.

- La capacité dépend de la température et des conditions extérieures, etc.

- ① Etablir le circuit comme illustré lors de l'utilisation de l'adaptateur d'entrée externe (PAC-SC36NA-E). (Option)
- ② SW1 ON : Mode à faible bruit
SW1 OFF : Fonctionnement normal

Remarque:

Si les commutateurs Dip SW7-1 et SW9-1 du panneau du commutateurs de l'appareil extérieur sont en position ON, placer les commutateurs Dip SW7-1 et SW9-1 en position OFF. (Ce mode ne peut pas être utilisé avec la fonction de demande.)

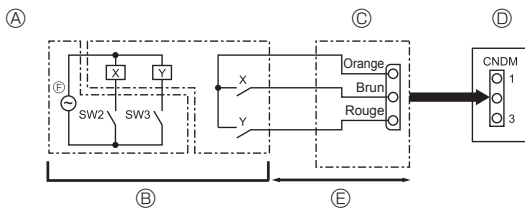


Fig. 9-2

- (A) Exemple de diagramme de circuit (Fonctions spéciales)
 (B) Disposition sur site
 (C) Adaptateur d'entrée externe (PAC-SC36NA-E)
 X, Y: Relais
 (D) Carte de commande de l'appareil extérieur
 (E) Max. 10 m
 (F) Alimentation pour le relais

9.2. Fonctions spéciales (modification sur site) (Fig. 9-2) (pour climatiseurs uniquement)

En apportant les modifications suivantes, la consommation électrique peut être réduite de 0-100% par rapport à la consommation normale.

Cette fonction spéciale sera activée lorsqu'une minuterie disponible dans le commerce ou l'entrée par contact d'un commutateur ON/OFF (marche/arrêt) sera ajoutée au connecteur CNDM (en option) sur le panneau du contrôleur de l'appareil extérieur.

- ① Etablir le circuit comme illustré lors de l'utilisation de l'adaptateur d'entrée externe (PAC-SC36NA-E). (Option)
- ② En installant les commutateurs SW7-1 sur le panneau du contrôleur de l'appareil extérieur, la consommation électrique (par rapport à la consommation normale) sera réduite comme indiquée ci-dessous.

	SW7-1	SW2	SW3	Consommation électrique
Fonction de demande	ON	OFF	OFF	100%
		ON	OFF	75%
		ON	ON	50%
		OFF	ON	0% (Arrêt)

9.3. Récupération du réfrigérant (Aspiration)

Lors du déplacement ou de la mise au rebut de l'appareil intérieur/extérieur, il est nécessaire de purger le système en suivant la procédure ci-dessous de façon à ne pas libérer le réfrigérant dans l'atmosphère.

- ① Couper le courant (disjoncteur).
- ② Raccorder la valve basse pression du collecteur à jauge au bouchon de charge (côté basse pression) de l'appareil extérieur.
- ③ Fermer complètement le robinet d'arrêt du liquide.
- ④ Mettre sous tension (coupe-circuit).
 - * Lors de la mise sous tension, vérifier que "CENTRALLY CONTROLLED" ne s'affiche pas sur la télécommande. Si "CENTRALLY CONTROLLED" s'affiche, la récupération de réfrigérant ne peut pas s'effectuer normalement.
 - * Le démarrage de la communication interne-externe prend environ 3 minutes après la mise sous tension (coupe-circuit). Démarrer la purge 3 à 4 minutes après la mise sous tension (coupe-circuit).
- ⑤ Procédez à la récupération du réfrigérant (essai de refroidissement).
 - * Appuyer sur le commutateur SWP de purge (bouton-poussoir) sur le panneau de commande de l'appareil extérieur. Le compresseur et les ventilateurs (appareils intérieurs et extérieurs) démarrent (la récupération du réfrigérant commence). (Les DEL1 et DEL2 du panneau de commande de l'appareil extérieur sont allumées.)
 - * N'appuyer sur le commutateur SWP de purge que si l'appareil est arrêté. Cependant, même si l'appareil est arrêté et que le commutateur SWP de purge est activé moins de 3 minutes après l'arrêt du compresseur, la récupération du réfrigérant ne peut pas s'effectuer. Attendre 3 minutes après l'arrêt du compresseur et appuyer sur le commutateur SWP de purge à nouveau.
- ⑥ Fermez complètement le clapet à bille du côté du conduit de gaz de l'appareil extérieur lorsque le manomètre du collecteur à jauge indique 0,05 à 0 MPa [jauge] (environ 0,5 à 0 kgf/cm²) et arrêtez rapidement le climatiseur.

- * Une seconde pression sur le commutateur SWP de purge arrête l'appareil.
 - * Étant donné que l'appareil s'arrête automatiquement 3 minutes environ après que la récupération du réfrigérant est terminée (DEL1 éteinte, DEL2 allumée), veiller à fermer rapidement le clapet à bille du gaz. Cependant, si la DEL1 est allumée, la DEL2 éteinte et que l'appareil est à l'arrêt; ouvrir complètement le robinet d'arrêt du liquide, fermer complètement le robinet après 3 minutes ou plus, puis répéter l'étape ⑤. (Ouvrir complètement le clapet à bille du gaz.)
 - * Si la collecte de réfrigérant s'est effectuée normalement (DEL1 éteinte, DEL2 allumée), l'appareil restera à l'arrêt jusqu'à la remise sous tension.
 - * Attention : si le tuyau de rallonge est très long et contient une grande quantité de réfrigérant, il peut être impossible d'effectuer une purge. Dans ce cas, utiliser un équipement de récupération du réfrigérant pour récupérer tout le réfrigérant du système.
- ⑦ Couper l'alimentation (disjoncteur), retirer le collecteur à jauge puis débrancher les tuyaux de réfrigérant.

⚠ Avertissement :

Pendant la purge du réfrigérant, arrêter le compresseur avant de débrancher les tuyaux de réfrigérant.

- Si les tuyaux de réfrigérant sont débranchés avant l'arrêt du compresseur et lorsque le robinet d'arrêt (clapet à bille) est ouvert, la pression du cycle de réfrigération pourrait s'élever excessivement si de l'air était aspiré, provoquant l'explosion des tuyaux, des blessures, etc.

9.4 Réglage de la température de la fonction flash injection ZUBADAN

La fonction flash injection ZUBADAN permet des performances de chauffage élevées avec de faibles températures extérieures.

- Les interrupteurs SW9-3 and SW9-4 du panneau de contrôle de l'appareil extérieur permettent le réglage de la température disponible pour la fonction flash injection ZUBADAN, comme indiqué dans le tableau ci-dessous.

SW9-3	SW9-4	Température extérieure
OFF	OFF	3°C ou moins (Réglage par défaut)
OFF	ON	0°C ou moins
ON	OFF	-3°C ou moins
ON	ON	-6°C ou moins

10. Contrôle du système

10.1. Climatiseurs

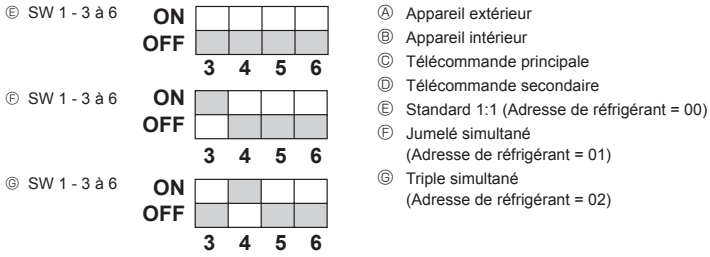


Fig. 10-1

* Régler l'adresse de réfrigérant avec le commutateur Dip de l'appareil extérieur.
 ① Câblage depuis la télécommande
 Ce fil se raccorde à TB5 (bornier de la télécommande) de l'appareil intérieur (non polaire).
 ② Lors de l'utilisation d'un groupe à système de réfrigérant différent
 Il est possible de contrôler un maximum de 16 systèmes de réfrigérant comme un groupe unitaire avec la télécommande MA plate.

Remarque:

Il n'est pas nécessaire d'effectuer de câblage ② dans les systèmes de réfrigération simples (jumelé/triple).

SW1
Tableau des fonctions
<SW1>



	Fonction	Fonctionnement selon le réglage du commutateur	
		ON	OFF
Réglages des fonctions du SW1	1 Dégivrage obligatoire	Marche	Normal
	2 Historique des erreurs effacée	Effacer	Normal
	3 Réglage des adresses du système de réfrigérant	Réglages des adresses des appareils extérieurs de 0 à 15	
	4		
	5		
	6		

10.2. Pompe thermique air/eau

Configurez l'adresse du réfrigérant à l'aide du commutateur Dip de l'appareil extérieur.

Réglage de la fonction SW1

Réglage de SW1	Adresse du réfrigérant	Réglage de SW1	Adresse du réfrigérant
ON OFF 3 4 5 6 7	00	ON OFF 3 4 5 6 7	03
ON OFF 3 4 5 6 7	01	ON OFF 3 4 5 6 7	04
ON OFF 3 4 5 6 7	02	ON OFF 3 4 5 6 7	05

Remarque :

- Vous pouvez connecter jusqu'à 6 appareils.
- Sélectionnez un modèle unique pour tous les appareils.
- Pour les réglages du commutateur Dip de l'appareil intérieur, reportez-vous au manuel d'installation de l'appareil intérieur.

11. Caractéristiques techniques

Niveau acoustique (mesuré en dessous de la fréquence d'utilisation nominale.)

			SHW80VHA	SHW112Y/VHA	SHW140YHA	SHW230YKA2
SPL	Chauffage	dB(A)	51	52	52	59
	Refroidissement	dB(A)	50	51	51	58
PWL	Chauffage	dB(A)	69	70	70	75

Inhoud

1. Veiligheidsvoorschriften.....	35	7. Elektrische aansluitingen.....	41
2. Plaats.....	36	8. Proefdraaien (alleen voor airconditioners).....	43
3. Het buitenapparaat installeren.....	38	9. Speciale functies.....	44
4. Installeren van de koelstofleidingen.....	38	10. Het systeem controleren.....	45
5. Installatie van Draineerbuizen.....	41	11. Specificaties.....	45
6. Waterleidingwerk (alleen voor lucht-waterwärmtepomp).....	41		



Opmerking: Dit symbool is alleen van toepassing voor EU-landen.

Dit symbool voldoet aan Richtlijn 2012/19/EU, artikel 14 (Informatie voor gebruikers) en bijlage IX.

Mitsubishi Electric producten zijn ontwikkeld en gefabriceerd uit eerste kwaliteit materialen. De onderdelen kunnen worden gerecycled en worden hergebruikt.

Het symbool betekent dat de elektrische en elektronische onderdelen op het einde van de gebruiksduur gescheiden van het huishoudelijk afval moeten worden ingezameld.

Breng deze apparatuur dan naar het gemeentelijke afvalinzamelingspunt.

In de Europese Unie worden elektrische en elektronische producten afzonderlijk ingezameld.

Help ons mee het milieu te beschermen!

⚠ Voorzichtig:

- Zorg ervoor dat geen R410A in de atmosfeer terecht komt:

1. Veiligheidsvoorschriften

- ▶ Lees alle "Veiligheidsvoorschriften" voordat u het apparaat installeert.
- ▶ Stel de aanleverende instantie op de hoogte of vraag om toestemming voordat u het systeem aansluit op het net.
- ▶ PUAHZ-SHW230YKA2
- ▶ Deze apparatuur voldoet aan IEC 61000-3-12, mits het kortsluitvermogen S_{sc} groter is dan of gelijk is aan $S_{sc} (*1)$ op het aansluitpunt tussen de stroombron van de gebruiker en het openbare systeem. Het is de verantwoordelijkheid van de installateur of gebruiker van de apparatuur, zo nodig in overleg met de beheerder van het distributienetwerk, om ervoor te zorgen dat de apparatuur alleen wordt aangesloten op een stroombron met een kortsluitvermogen S_{sc} groter dan of gelijk aan $S_{sc} (*1)$.

$S_{sc} (*1)$

Modellen	S_{sc} (MVA)
PUAHZ-SHW230YKA2	1,35

⚠ Waarschuwing:

Beschrijft maatregelen die genomen moeten worden om het risico van verwonding of dood van de gebruiker te voorkomen.

⚠ Voorzichtig:

Beschrijft maatregelen die genomen moeten worden om schade aan het apparaat te voorkomen.

Informeer de klant na voltooiing van de installatie over de "Veiligheidsvoorschriften", het gebruik en het onderhoud van het apparaat en laat het apparaat proefdraaien om de werking ervan te controleren. Zowel de installatie- als de gebruikershandleiding dienen ter bewaring aan de gebruiker te worden gegeven. Deze handleidingen dienen te worden doorgegeven aan latere gebruikers.

⚡ : Geeft een onderdeel aan dat geaard moet worden.

⚠ Waarschuwing:

Lees de stickers die op het apparaat zitten zorgvuldig.

⚠ Waarschuwing:

- Het apparaat mag niet door de gebruiker zelf worden geïnstalleerd. Vraag de dealer of een erkende installateur om het apparaat te installeren. Onjuiste installatie van het apparaat kan leiden tot waterlekage, elektrische schokken of brand.
- Volg voor de installatie de instructies in de installatiehandleiding en gebruik gereedschap en pijpmateriaal dat speciaal is gemaakt voor gebruik met R410A-koelstof. De R410A-koelstof in het HFC-systeem wordt gebruikt onder een 1,6 maal grotere druk als normale koelstoffen. Wanneer niet voor R410A-koelstof ontworpen pijpdelen worden gebruikt in het apparaat onjuist wordt geïnstalleerd, kunnen de pijpen knappen waardoor schade of letsel kan ontstaan. Daarnaast kunnen waterlekage, elektrische schokken of brand optreden.
- Het apparaat dient volgens de instructies te worden geïnstalleerd om het risico op beschadiging bij een aardbeving of storm te beperken. Een onjuist geïnstalleerd apparaat kan vallen en schade of letsel veroorzaken.
- Het apparaat moet worden geïnstalleerd op een constructie die het gewicht ervan kan dragen. Als het apparaat wordt geïnstalleerd op een instabiele constructie, kan het vallen en schade of letsel veroorzaken.
- Als de buitenapparaat in een kleine ruimte wordt geïnstalleerd, moeten maatregelen worden genomen tegen het weglekken van koelmiddel. De concentratie weggelekt koelmiddel in de lucht mag de grenswaarden niet overschrijden. Vraag de dealer wat u tegen het overmatig weglekken van koelstof kunt doen. Als de concentratie koelstof in de lucht te hoog wordt, kan zuurstofgebrek in de ruimte optreden.
- Ventileer de ruimte als er koelstof weglekt wanneer het apparaat in werking is. Als de koelstof in contact komt met vuur, komen giftige gassen vrij.
- De installatie van de elektrische onderdelen moet worden uitgevoerd door een gediplomeerde elektricien in overeenstemming met de lokale regelgeving en de instructies in deze handleiding. Installeer stroomonderbrekers en zorg voor een juiste voedingsspanning. Sluit geen andere apparatuur aan op de voedingsleidingen van de apparaten. Onjuist geïnstalleerde of ongeschikte voedingsleidingen kunnen elektrische schokken of brand veroorzaken.
- Gebruik fosforhoudende, zuurstofarme, naadloze C1220-pijpen van koper of koperlegeringen als koelstofpijpen. Als de pijpen onjuist worden aangesloten, is het apparaat niet goed geaard en kunnen elektrische schokken optreden.

- Gebruik uitsluitend de gespecificeerde kabels voor het verbinden. De aansluitingen moeten stevig vastzitten zonder druk op de aansluitpunten. Splits de kabels nooit voor het bedraden (tenzij in deze handleiding anders wordt aangegeven). Het niet opvolgen van deze aanwijzingen kan leiden tot oververhitting of brand.
- Het deksel van het aansluitblok van het buitenapparaat moet stevig worden vastgemaakt. Bij onjuiste montage van het deksel kunnen stof en vocht in het apparaat komen, wat een elektrische schok of brand kan veroorzaken.
- Gebruik bij het installeren, verplaatsen of onderhouden van de buitenapparaat uitsluitend het gespecificeerde koelmiddel (R410A) voor het vullen van de koelmiddelpijpen. Meng de koelstof niet met andere koelstoffen en let erop dat er geen lucht in de pijpen achterblijft. Als de koelstof wordt gemengd met lucht, kan dit een uitzonderlijk hoge druk in de koelstofpijp tot gevolg hebben. Dit kan resulteren in explosiegevaar en andere gevaren. Als er een andere koelstof wordt gebruikt dan de voorgeschreven koelstof, heeft dit mechanische storingen, storingen van het systeem of uitvallen van het apparaat tot gevolg. In het ergste geval kan de veiligheid van het product ernstig in gevaar komen.
- Gebruik uitsluitend door Mitsubishi Electric goedgekeurde accessoires en vraag de dealer of een erkende installateur deze te installeren. Onjuiste installatie van accessoires kan leiden tot waterlekage, elektrische schokken of brand.
- Breng geen wijzigingen aan aan het apparaat. Neem voor reparatie contact op met de dealer. Onjuist uitgevoerde reparaties of wijzigingen kunnen leiden tot waterlekage, elektrische schokken of brand.
- De gebruiker mag nooit proberen het apparaat zelf te repareren of te verplaatsen. Onjuiste installatie van het apparaat kan leiden tot waterlekage, elektrische schokken of brand. Als de buitenapparaat moet worden gerepareerd of verplaatst, neem dan contact op met de dealer of een erkende installateur.
- Controleer na voltooiing van de installatie op koelstoflekage. Als koelstof naar de ruimte lekt en in contact komt met de vlam van een verwarmings- of kookapparaat, komen giftige gassen vrij.

1.1. Voor de installatie

⚠ Voorzichtig:

- Gebruik het apparaat niet in bijzondere omgevingen. Installeer de buitenapparaat niet in ruimtes waarin deze wordt blootgesteld aan stoom, vluchtige olie (inclusief machineolie) of zwavelgas, gebieden met een zout klimaat zoals de kust of gebieden waar de warmtepomp kan worden bedekt door sneeuw, omdat hierdoor de prestaties aanzienlijk kunnen verminderen en er schade kan ontstaan aan de interne onderdelen.
- Installeer het apparaat niet in ruimtes waar brandbare gassen worden geproduceerd of kunnen lekken, stromen of samenstromen. Ophoping van brandbare gassen rond het apparaat kan leiden tot brand of een explosie.

- Het buitenapparaat produceert condens tijdens de verwarmingsfase. Zorg voor afvoer rond het buitenapparaat als dergelijk condensvocht schade kan veroorzaken.
- Houd rekening met geluid en elektrische storingen bij installatie van het apparaat in een ziekenhuis of communicatieruimte. Stroomomzetters, huishoudelijke apparaten, hoogfrequente medische apparatuur en radiocommunicatieapparatuur kunnen storingen in de buitenapparaat veroorzaken. Omgekeerd kan de buitenapparaat storingen veroorzaken in medische apparatuur, communicatieapparatuur en de weergave van beeldschermen.

1. Veiligheidsvoorschriften

1.2. Voor de installatie (verplaatsing)

⚠ Voorzichtig:

- Wees uitermate voorzichtig bij het vervoeren of installeren van de behuizingen. Het apparaat dient door twee of meer personen te worden getild, aangezien het 20 kg of meer weegt. Til het apparaat niet op aan de verpakkingsbanden. Draag beschermende handschoenen als u de behuizing uit de verpakking haalt en bij het vervoeren ervan, omdat u uw handen kunt bezeren aan de ventilatoren, de randen of andere delen.
- Zorg dat het verpakkingsmateriaal op een veilige manier wordt weggeworpen. Verpakkingsmaterialen zoals klemmen en andere metalen of houten onderdelen kunnen snijwonden of ander letsel veroorzaken.

1.3. Voor de installatie van de elektrische bedrading

⚠ Voorzichtig:

- Installeer stroomonderbrekers. Als er geen stroomonderbrekers worden geïnstalleerd, kunnen elektrische schokken optreden.
- Gebruik voor de voedingsleidingen standaardkabels met voldoende capaciteit. Te lichte kabels kunnen kortsluiting, oververhitting of brand veroorzaken.
- Oefen bij de installatie van de voedingsleidingen geen trekkracht uit op de kabels. Als de aansluitingen loszitten, kunnen de kabels loskomen of breken en oververhitting of brand veroorzaken.

1.4. Voor het proefdraaien (alleen voor airconditioners)

⚠ Voorzichtig:

- Zet de netspanningsschakelaar ten minste 12 uur voordat u het apparaat gaat gebruiken aan. Als u het apparaat direct na het aanzetten van de netspanningsschakelaar inschakelt, kunnen de interne onderdelen ernstig beschadigd raken. Laat de netspanningsschakelaar altijd aanstaan gedurende het seizoen waarin u het apparaat gebruikt.
- Controleer voordat u begint met proefdraaien of alle panelen, beveiligingen en andere beschermende onderdelen goed zijn geïnstalleerd. Draaiende of warme onderdelen of onderdelen onder hoge spanning kunnen letsel veroorzaken.

1.5. R410A-koelmiddel buitenapparaat

⚠ Voorzichtig:

- Gebruik fosforhoudende, zuurstofarme, naadloze C1220-pijpen van koper of koperlegeringen als koelstofpijpen. Controleer of de binnenkant van de pijpen schoon is en vrij van schadelijke stoffen zoals zwavelverbindingen, oxidanten, vuil of stof. Gebruik pijpen van de opgegeven dikte. (Zie 4.1.) Let bij hergebruik van pijpen waarin R22-koelmiddel heeft gezeten op het volgende.
 - Vervang de bestaande flensmoeren en tromp de aansluitingsoppervlakken opnieuw op.
 - Gebruik geen dunne pijpen. (Zie 4.1.)
- Bewaar de pijpen die voor de installatie zullen worden gebruikt binnenshuis en laat de verzegeling aan beide uiteinden intact tot vlak voor het solderen. (Laat kniestukken, etc. in hun verpakking.) Het binnendringen van stof, vuil of vocht in de koelstofpijpen kan leiden tot achteruitgang van de olie of compressorstoringen.
- Gebruik esterolie, etherolie of alkylbenzeen (in kleine hoeveelheden) als koelolie om de aansluitingsoppervlakken af te dichten. Vermenging van de koelolie met mineraalolie kan leiden tot achteruitgang van de koelolie.

- Controleer de dragende constructie en bevestiging van het buitenapparaat regelmatig op loszitten, scheuren of andere beschadigingen. Als dergelijke problemen niet worden verholpen, kan het apparaat vallen en schade of letsel veroorzaken.
- Reinig de buitenapparaat niet met water. Hierdoor kunnen elektrische schokken optreden.
- Trek alle flensmoeren aan tot het opgegeven aanhaalmoment met een momentsleutel. Bij overmatig aantrekken kan de flensmoer na enige tijd breken waardoor koelstof kan weglekken.

- Zorg ervoor dat het apparaat goed is geaard. Sluit de aardleiding niet aan op een gas- of waterleiding, bliksemafleider of aardleiding voor de telefoon. Onjuiste aarding van het apparaat kan elektrische schokken veroorzaken.
- Gebruik stroomonderbrekers (aardlekschakelaar, isolatieschakelaar (+B-zekering) en onderbreker met gegoten behuizing) met de opgegeven capaciteit. Het gebruik van stroomonderbrekers met een te hoge capaciteit kan storingen of brand veroorzaken.

- Raak de schakelaars nooit met natte vingers aan. Hierdoor kan een elektrische schok optreden.
- Raak de koelstofpijpen niet met blote handen aan als het apparaat in werking is. De koelstofpijpen zijn heet of koud afhankelijk van de toestand van de koelstof. Bij het aanraken van de pijpen kunt u brandwonden of bevriezingen oplopen.
- Wacht nadat het apparaat is uitgeschakeld ten minste vijf minuten voordat u de netspanningsschakelaar uitzet. Eerder uitzetten kan waterlekkage of storingen veroorzaken.

- Gebruik uitsluitend R410A-koelmiddel. Bij gebruik van andere koelstoffen veroorzaakt de chloor achteruitgang van de koelolie.
- Gebruik gereedschap dat speciaal is ontworpen voor gebruik met R410A-koelmiddel. Het volgende gereedschap is vereist. Neem voor vragen contact op met de dichtstbijzijnde dealer.

Gereedschap (voor R410A)	
Verdeelventiel	Optrompgereedschap
Vulslang	Maatafstemmingsmeter
Gaslekdetector	Vacuumpompadapter
Momentsleutel	Elektronische koelstofdrukmeter

- Gebruik uitsluitend de juiste gereedschappen. Het binnendringen van stof, vuil of vocht in de koelstofpijpen kan leiden tot achteruitgang van de koelolie.
- Maak geen gebruik van een vulcilinder. Het gebruik van een vulcilinder leidt tot veranderingen in de samenstelling van de koelstof, waardoor de efficiëntie wordt vermindert.

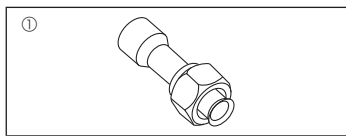


Fig. 1-1

1.6. Accessoires van het buitenapparaat (Fig. 1-1) (SHW230)

De aan de linkerkant getoonde onderdelen zijn de accessoires van dit apparaat en zijn aangebracht aan de binnenzijde van het onderhoudspaneel.

- ① Verbindingspijp.....x1

2. Plaats

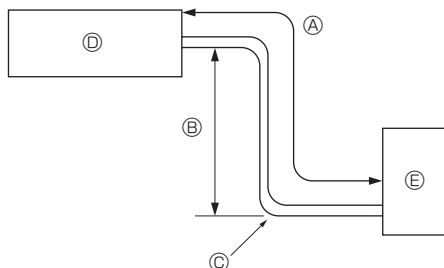


Fig. 2-1

2.1. Koelpijpen (Fig. 2-1)

- ▶ Controleer dat het verschil in hoogte tussen het binnen- en het buitenapparaat, de lengte van de koelpijpen en het aantal bochten in de leidingen binnen de limieten zoals in onderstaande tabel aangegeven vallen.

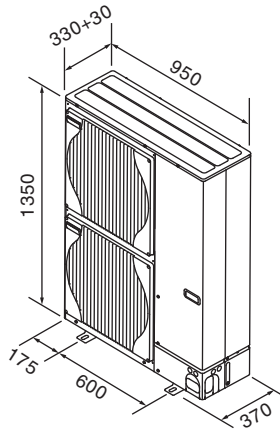
Modellen	Ⓐ Pijplengte (1 richting)	Ⓔ Hoogteverschil	Ⓒ Aantal bochten bende (1 richting)
SHW80, 112, 140	2 m - 75 m	Max. 30 m	Max. 15
SHW230	2 m - 80 m	Max. 30 m	Max. 15

- De begrenzingen voor het hoogteverschil zijn voor alle opstellingen van binnen- en buitenunits bindend, onafhankelijk van het feit welk apparaat hoger opgesteld wordt.

- Ⓓ Binnenapparaat
- Ⓔ Buitenapparaat

2. Plaats

■ SHW80, 112, 140



■ SHW230

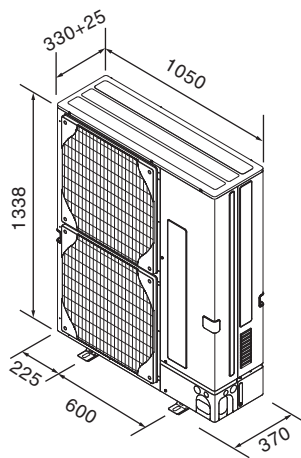


Fig. 2-2

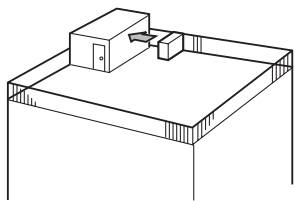


Fig. 2-3

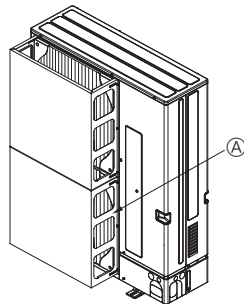


Fig. 2-4

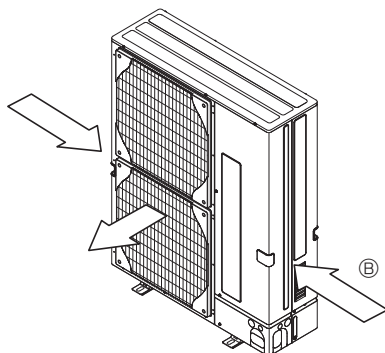


Fig. 2-5

2.2. De installatieplaats voor het buitenapparaat kiezen

- Vermijd plaatsen die worden blootgesteld aan direct zonlicht of andere warmtebronnen.
- Kies een plaats waar niemand last heeft van het geluid van het apparaat.
- Kies een plaats die eenvoudige aansluiting van de elektrische bedrading en pijpen naar het binnenapparaat mogelijk maakt.
- Vermijd plaatsen waar brandbare gassen worden geproduceerd of kunnen lekken, stromen of samenstromen.
- Houd er rekening mee dat er tijdens de werking water uit het apparaat kan druppelen.
- Kies een vlakke constructie die bestand is tegen het gewicht en de trillingen van het apparaat.
- Vermijd plaatsen waar het apparaat door sneeuw kan worden bedekt. In sneeuwrijke gebieden moeten speciale maatregelen worden getroffen zoals het verhogen van de installatieplaats of het plaatsen van een afdak om te voorkomen dat de sneeuw in of tegen de luchtinlaat terechtkomt. De sneeuw kan de normale luchtstroom bemoeilijken en storingen veroorzaken.
- Vermijd plaatsen die worden blootgesteld aan olie, stoom of zwavelgas.
- Gebruik de tilhandgrepen van het buitenapparaat om het apparaat te verplaatsen. Als het apparaat van onderen wordt beetgepakt, kunnen verwondingen ontstaan aan de handen of vingers.

2.3. Buitenafmetingen (Buitenapparaat) (Fig. 2-2)

2.4. Ventilatie en bereikbaarheid

2.4.1. Installatie op winderige plaatsen

Als het buitenapparaat wordt geïnstalleerd op een dak of een andere plaats waar de wind vrij spel heeft, moet de luchtuitlaat van het apparaat zo worden gericht dat deze niet rechtstreeks blootstaat aan krachtige windstoten. Krachtige windstoten die de luchtuitlaat binnendringen kunnen de normale luchtstroom bemoeilijken en storingen veroorzaken.

Hieronder volgen drie manieren om het apparaat tegen krachtige windstoten te beschermen.

- ① Richt de luchtuitlaat naar de dichtstbijzijnde muur, op ongeveer 50 cm van de muur. (Fig. 2-3)
- ② Installeer een optionele luchtgeleider als het apparaat wordt geïnstalleerd op een plaats waar krachtige windstoten bij storm etc. rechtstreeks de luchtuitlaat kunnen binnendringen. (Fig. 2-4)
 - Ⓐ Luchtbeveiligingsgeleider
- ③ Plaats het apparaat indien mogelijk zo dat de luchtuitlaat in dezelfde richting blaast als de seizoenswinden. (Fig. 2-5)
 - Ⓑ Windrichting

2.4.2. Bij installatie van één buitenapparaat (Raadpleeg de laatste pagina)

De minimale afmetingen zijn als volgt aangegeven, behalve voor Max., hetgeen betekent de Maximale afmetingen.

Raadpleeg voor alle gevallen de getallen.

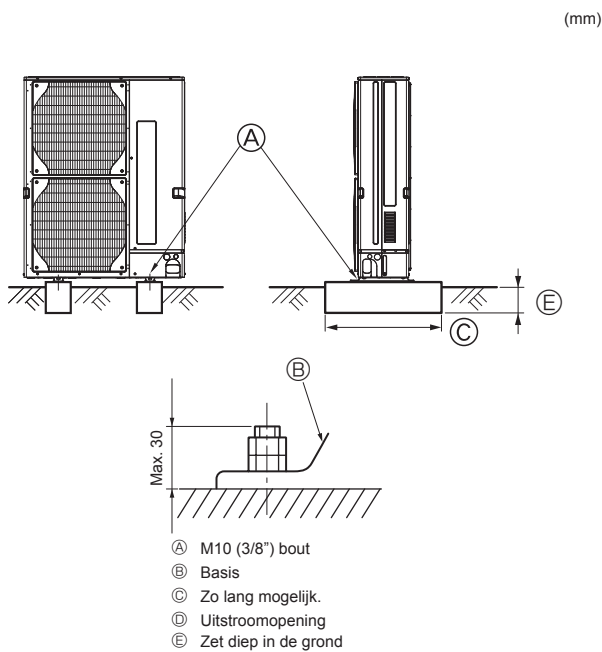
- ① Alleen obstakels aan de achterzijde (Fig. 2-6)
- ② Alleen obstakels aan de achter- en bovenzijde (Fig. 2-7)
- ③ Alleen obstakels aan de achterzijde en de zijkanten (Fig. 2-8)
- ④ Alleen obstakels aan de voorzijde (Fig. 2-9)
 - * Indien optioneel luchtafvoerkanaal wordt toegepast, dient de vrije ruimte 500 mm of meer te bedragen.
- ⑤ Alleen obstakels aan de voor- en achterzijde (Fig. 2-10)
 - * Indien optioneel luchtafvoerkanaal wordt toegepast, dient de vrije ruimte 500 mm of meer te bedragen.
- ⑥ Alleen obstakels aan de achter- en bovenzijde en de zijkanten (Fig. 2-11)
 - Maak geen gebruik van de optionele luchtgeleiders voor een opwaartse luchtstroom.

2.4.3. Bij installatie van meerdere buitenapparaten (Raadpleeg de laatste pagina)

Laat tussen de onderlinge units minimaal 10 mm ruimte.

- ① Alleen obstakels aan de achterzijde (Fig. 2-12)
- ② Alleen obstakels aan de achter- en bovenzijde (Fig. 2-13)
 - Installeer niet meer dan drie apparaten naast elkaar. Laat bovendien ruimte vrij zoals afgebeeld.
 - Maak geen gebruik van de optionele luchtgeleiders voor een opwaartse luchtstroom.
- ③ Alleen obstakels aan de voorzijde (Fig. 2-14)
 - * Indien optioneel luchtafvoerkanaal wordt toegepast, dient de vrije ruimte 1000 mm of meer te bedragen.
- ④ Alleen obstakels aan de voor- en achterzijde (Fig. 2-15)
 - * Indien optioneel luchtafvoerkanaal wordt toegepast, dient de vrije ruimte 1000 mm of meer te bedragen.
- ⑤ Opstelling met één parallel apparaat (Fig. 2-16)
 - * Bij gebruik van optionele uitlaatluchtgeleider voor een opwaartse luchtstroom moet de vrije ruimte ten minste 1000 mm bedragen.
- ⑥ Opstelling met meerdere parallelle apparaten (Fig. 2-17)
 - * Bij gebruik van optionele uitlaatluchtgeleider voor een opwaartse luchtstroom moet de vrije ruimte ten minste 1500 mm bedragen.
- ⑦ Opstelling met boven elkaar geplaatste apparaten (Fig. 2-18)
 - Er kunnen twee apparaten boven elkaar worden geplaatst.
 - Installeer niet meer dan twee boven elkaar geplaatste apparaten naast elkaar. Laat bovendien ruimte vrij zoals afgebeeld.

3. Het buitenapparaat installeren



- Zorg ervoor dat de eenheid op een stevig, waterpas oppervlak wordt geïnstalleerd om geratel tijdens het gebruik te voorkomen. (Fig. 3-1)

<Specificaties voor de fundering>

Funderingsbout	M10 (3/8")
Dikte van het beton	120 mm
Lengte van de bout	70 mm
Draagkracht	320 kg

- Zorg dat de lengte van de funderingsbout op een afstand van minder dan 30 mm van de onderkant van de basis komt.
- Zet de basis van de eenheid stevig vast met vier M10-funderingsbouten op een stevige ondergrond.

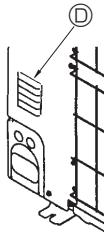
Installatie van het buitenapparaat

- Laat de uitstroomopening vrij. Als de uitstroomopening wordt geblokkeerd wordt de werking van het apparaat bemoeilijkt, waardoor storingen kunnen ontstaan.
- Gebruik naast de basis van het apparaat de installatieopeningen aan de achterzijde om waar nodig bedrading etc. te bevestigen. Gebruik zelftappende schroeven (ø5 × 15 mm of minder).

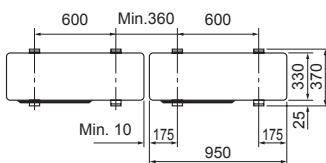
⚠ Waarschuwing:

- Het apparaat moet worden geïnstalleerd op een constructie die het gewicht ervan kan dragen. Als het apparaat wordt geïnstalleerd op een instabiele constructie, kan het vallen en schade of letsel veroorzaken.
- Het apparaat dient volgens de instructies te worden geïnstalleerd om het risico op beschadiging bij een aardbeving of storm te beperken. Een onjuist geïnstalleerd apparaat kan vallen en schade of letsel veroorzaken.

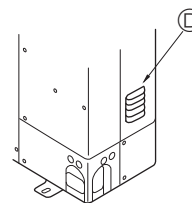
■ SHW80, 112, 140



■ SHW80, 112, 140



■ SHW230



■ SHW230

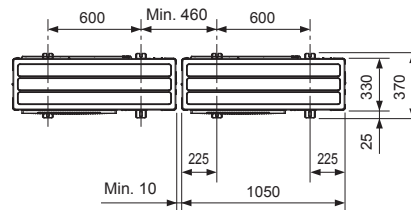


Fig. 3-1

4. Installeren van de koelstofleidingen

4.1. Voorzorgsmaatregelen voor apparaten die gebruikmaken van R410A-koelstof

- Zie 1.5. voor niet hieronder vermelde voorzorgsmaatregelen voor buitenapparaten die gebruikmaken van R410A-koelmiddel.
- Gebruik esterolie, etherolie of alkylbenzeen (in kleine hoeveelheden) als koelolie om de aansluitingsoppervlakken af te dichten.
- Gebruik fosforhoudende, zuurstofarme, naadloze C1220-pijpen van koper of koperlegeringen als koelstofpijpen. Gebruik koelstofpijpen van de in de onderstaande tabel aangegeven dikte. Controleer of de binnenkant van de pijpen schoon is en vrij van schadelijke stoffen zoals zwavelverbindingen, oxidanten, vuil of stof.
Gebruik altijd niet-oxiderend soldeer wanneer u de pijpen soldeert, anders raakt de compressor beschadigd.

⚠ Waarschuwing:

Gebruik bij het installeren, verplaatsen of onderhouden van de buitenapparaat uitsluitend het gespecificeerde koelmiddel (R410A) voor het vullen van de koelmiddelpijpen. Meng de koelstof niet met andere koelstoffen en let erop dat er geen lucht in de pijpen achterblijft.

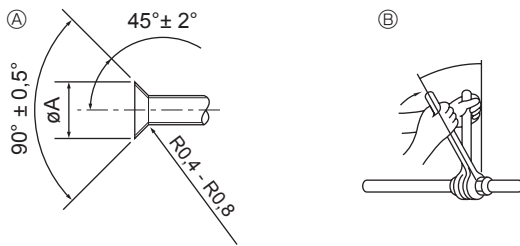
Als de koelstof wordt gemengd met lucht, kan dit een uitzonderlijk hoge druk in de koelstofpijp tot gevolg hebben. Dit kan resulteren in explosiegevaar en andere gevaren.

Als er een andere koelstof wordt gebruikt dan de voorgeschreven koelstof, heeft dit mechanische storingen, storingen van het systeem of uitvallen van het apparaat tot gevolg. In het ergste geval kan de veiligheid van het product ernstig in gevaar komen.

Afmeting pijp (mm)	φ6,35	φ9,52	φ12,7	φ15,88	φ19,05	φ22,2	φ25,4	φ28,58
Dikte (mm)	0,8	0,8	0,8	1,0	1,0	1,0	1,0	1,0

- Gebruik geen dunnere pijpen dan hierboven aangegeven.
- Gebruik 1/2 H- of H-leidingen als de diameter 19,05 mm of groter is.

4. Installeren van de koelstofleidingen



A) Afsnijmaten tromp
B) Aanhaalmoment flensmoer

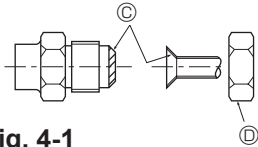


Fig. 4-1

A) (Fig. 4-1)

Buitendiameter koperen pijp (mm)	Afmetingen tromp $\varnothing A$ (mm)
$\varnothing 6,35$	8,7 - 9,1
$\varnothing 9,52$	12,8 - 13,2
$\varnothing 12,7$	16,2 - 16,6
$\varnothing 15,88$	19,3 - 19,7
$\varnothing 19,05$	23,6 - 24,0

B) (Fig. 4-1)

Buitendiameter koperen pijp (mm)	Buitendiameter flensmoer (mm)	Aanhaalmoment (N·m)
$\varnothing 6,35$	17	14 - 18
$\varnothing 6,35$	22	34 - 42
$\varnothing 9,52$	22	34 - 42
$\varnothing 12,7$	26	49 - 61
$\varnothing 12,7$	29	68 - 82
$\varnothing 15,88$	29	68 - 82
$\varnothing 15,88$	36	100 - 120
$\varnothing 19,05$	36	100 - 120

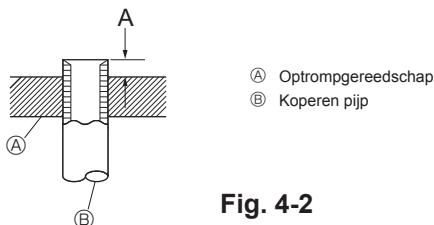
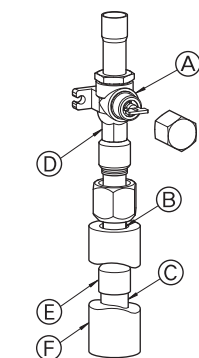
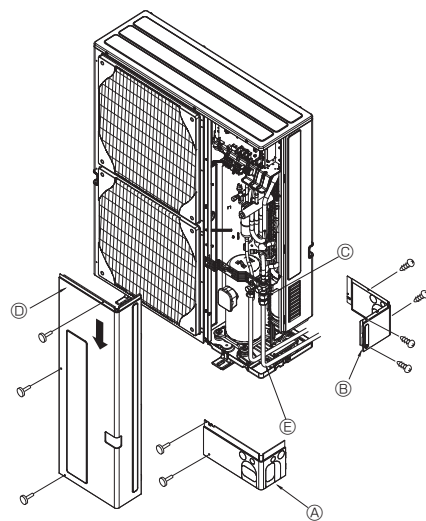


Fig. 4-2



A) Afsluitkraan
B) Afgedichte gedeelte
C) Plaatselijke leiding
D) Voor twee sleutels
E) Verbindingspijp
F) Pijpbedekking

Fig. 4-3



A) Pijpbedekking aan voorzijde
B) Pijpbedekking
C) Afsluitkraan
D) Onderhoudspaneel
E) Buigstraal: 100 mm - 150 mm

Fig. 4-4

4.2. Aansluiten van de pijpen (Fig. 4-1)

- Als u koperen pijpen gebruikt, moet u de vloeistof- en gaspijpen met isolatiemateriaal bekleden (hittebestendig tot 100°C, dikte van 12 mm of meer).
- Zorg dat u thermale isolatie apart toepast op gas- en vloeistofpijp.
- De delen van de afvoerpijp die binnenshuis lopen, moeten worden bekled met isolatiemateriaal van polyethyleenschuim (relatieve dichtheid 0,03, dikte 9 mm of meer).
- Doe een dun laagje koelmachineolie op de leiding en het aansluitingsoppervlak voordat u de "flare"-moer vastdraait. A)
- Draai met gebruik van 2 pijptangen de aansluitende leidingen vast. B)
- Gebruik, nadat alle aansluitingen gemaakt zijn, een lekkagedetector of zeepsop om te controleren of er gaslekken zijn.
- Breng koelolie aan op de aansluitingsoppervlakken. C)
- Gebruik de flensmoeren voor de volgende pijpafmetingen. D)

		SHW80, 112, 140	SHW230
Gaszijde	Afmeting leiding (mm)	$\varnothing 15,88$	$\varnothing 25,4$
Vloeistofzijde	Afmeting leiding (mm)	$\varnothing 9,52$	$\varnothing 12,7$

- Let er bij het buigen van de pijpen op dat u deze niet breekt. Een buigstraal van 100 mm tot 150 mm is voldoende.
- Let erop dat de pijpen de compressor niet raken. Hierdoor kunnen ongewone geluiden of trillingen ontstaan.
- Begin met het aansluiten van de pijpen bij het binnenapparaat. Trek de flensmoeren aan met een momentsleutel.
- Tromp de vloeistof- en gaspijpen op en breng een dun laagje koelolie aan op de aansluitingsoppervlakken.
- Als een gewoon pijpafdichtmiddel wordt gebruikt, zie dan Tabel 1 voor het optrompen van R410A-koelstofpijpen. Gebruik de maatafstemmingsmeter om de afmetingen A te controleren.

Tabel 1 (Fig. 4-2)

Buitendiameter koperen pijp (mm)	A (mm)	
	Trompgereedschap voor R410A	Trompgereedschap voor R22-R407C
	Type koppeling	
$\varnothing 6,35$ (1/4")	0 - 0,5	1,0 - 1,5
$\varnothing 9,52$ (3/8")	0 - 0,5	1,0 - 1,5
$\varnothing 12,7$ (1/2")	0 - 0,5	1,0 - 1,5
$\varnothing 15,88$ (5/8")	0 - 0,5	1,0 - 1,5
$\varnothing 19,05$ (3/4")	0 - 0,5	1,0 - 1,5

- Gebruik de volgende procedure voor het aansluiten van de pijpen aan de gaszijde. (Fig. 4-3) (SHW230)
- Soldeer de meegeleverde verbindingspijp E aan het buitenapparaat met ter plaatse verkregen soldeermateriaal en de plaatselijke leiding C zonder zuurstof.
- Sluit de verbindingspijp E aan op de afsluitkraan aan de gaszijde. Gebruik twee sleutels om de flensmoer aan te trekken.
- * Indien de volgorde wordt omgekeerd, treedt lekkage van koelvloeistof op doordat het gedeelte is beschadigd door soldeervuur.

4.3. Koelleidingen (Fig. 4-4)

Verwijder het onderhoudspaneel D (3 schroeven) en de pijpafdekkingen aan de voorzijde A (2 schroeven) en de achterzijde B (2 schroeven: SHW80 - 140) (4 schroeven: SHW230).

- Maak de verbindingen van de koelstofleidingen voor het binnen-/buitenapparaat als het afsluitkraan van het buitenapparaat geheel gesloten is.
- Ontlucht de binnenapparaat en de verbindingleidingen.
- Controleer na het aansluiten van de koelstofpijpen de pijpen en het binnenapparaat op gaslekage. (Zie 4.4 'Luchtdichtheid van de koelstofpijpen testen'.)
- Zet een sterke vacuumpomp op de dienstopening van de afsluitkraan en handhaaf nadat u -101 kPa (5 Torr) bereikt het vacuüm voldoende lang (minstens een uur) om de binnenzijde van de pijpen te vacuümdrogen. Controleer de mate van vacuüm altijd op het verdeelventiel. Als er nog vocht in de pijp zit, wordt de mate van vacuüm soms niet bereikt in een korte tijd van vacuüm toepassen. Zet na het vacuümdrogen de afsluitkranen (van zowel vloeistof als gas) voor het buitenapparaat geheel open. Hierdoor worden de koelstofpijpen van binnen- en buitenapparaat volledig met elkaar verbonden.
 - Indien u onvoldoende vacuümdroogt, blijven lucht en waterdamp achter in de koelstofpijpen wat kan leiden tot abnormale stijging van hoge druk, abnormale daling van lage druk, achteruitgang van de koelmachineolie door vocht, etc.
 - Als het apparaat wordt ingeschakeld terwijl de afsluitkranen nog gesloten zijn, zullen de compressor en de regelkraan beschadigd raken.
 - Gebruik een lekdetector of zeepsop om de pijpverbindingen van het buitenapparaat te controleren.
 - Gebruik niet de koelstof uit het apparaat voor het verwijderen van lucht uit de koelstofleidingen.
 - Trek na voltooiing van de procedure de kraandoppen aan tot het juiste aanhaalmoment: 20 tot 25 N·m (200 tot 250 kgf·cm). Als de doppen niet worden teruggeplaatst en aangetrokken, kan koelstoflekage optreden. Let erop dat de binnenzijde van de kraandoppen niet wordt beschadigd, aangezien deze werken als een afdichting die koelstoflekage voorkomt.
- Dicht de uiteinden van het isolatiemateriaal bij de pijpverbindingen af met afdichtmiddel om te voorkomen dat er water onder het isolatiemateriaal doordringt.

4. Installeren van de koelstofleidingen

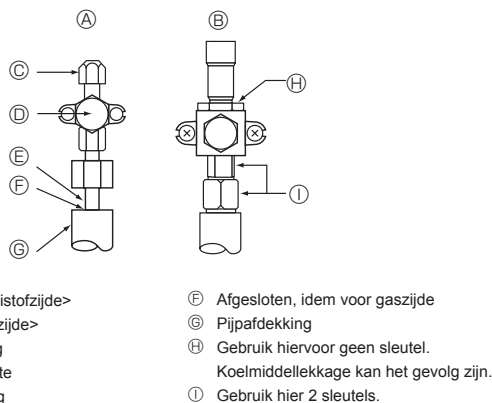


Fig. 4-5

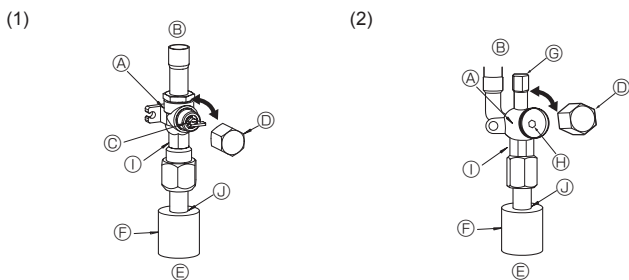


Fig. 4-6

Fig. 4-7

- A Kraan
 B Zijde van het apparaat
 C Handgreep
 D Kap
 E Zijde van de plaatselijke leiding
 F Pijpbedekking
 G Serviceaansluiting
 H Sleutelgat
 I Voor twee sleutels (Gebruik alleen hier een sleutel. Op andere plaatsen veroorzaakt u daarmee koelstoflekages.)
 J Af te dichten (Dicht het einde van het isolatiemateriaal bij de pijpverbinding af met een afdichtmiddel dat u voorhanden heeft zodat geen water het isolatiemateriaal binnendringt.)

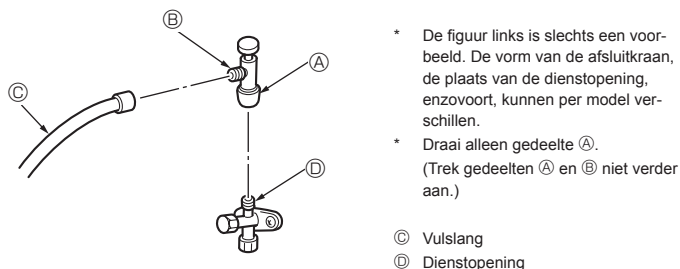


Fig. 4-8

- * De figuur links is slechts een voorbeeld. De vorm van de afsluitkraan, de plaats van de dienstopening, enzovoort, kunnen per model verschillen.
 * Draai alleen gedeelte A. (Trek gedeeltes A en B niet verder aan.)
 C Vulslang
 D Dienstopening

4.4. Luchtdichtheid van de koelstofpijpen testen (Fig. 4-5)

- (1) Sluit het testgereedschap aan.
- Controleer of de afsluitkranen A en B zijn gesloten en open deze niet.
 - Zet druk op de koelstofpijpen via dienstopening C van de vloeistofafsluitkraan A.
- (2) Voer de druk niet meteen op tot de opgegeven waarde, maar verhoog deze beetje bij beetje.
- Voer de druk op tot 0,5 MPa (5 kgf/cm²G), wacht vijf minuten en controleer vervolgens of de druk niet terugloopt.
 - Voer de druk op tot 1,5 MPa (15 kgf/cm²G), wacht vijf minuten en controleer vervolgens of de druk niet terugloopt.
 - Voer de druk op tot 4,15 MPa (41,5 kgf/cm²G) en meet de omgevingstemperatuur en koelstofdruk.
- (3) Als de gespecificeerde druk ongeveer een dag lang aanwezig blijft en niet terugloopt, zijn de pijpen in orde en zijn er geen lekkages.
- Als de omgevingstemperatuur verandert met 1°C zal de druk veranderen met ongeveer 0,01 MPa (0,1 kgf/cm²G). Voer de nodige aanpassingen uit.
- (4) Als de druk in stap (2) of (3) terugloopt, is er een gaslek. Zoek het lek.

4.5. Wijze van openen van de afsluitkraan

De wijze van openen van de afsluitkraan varieert met het model buitenapparaat. Open de afsluitkranen op de wijze die in uw situatie van toepassing is.

- (1) Gaszijde (Fig. 4-6)
- Verwijder de dop, trek het handvat naar u toe en draai dit een kwartslag tegen de klok in om de kraan te openen.
 - Let erop dat de afsluitkraan geheel open is, druk de hendel in en draai de kroef open en breng het op de pijpen aan.
- (2) Vloeistofzijde (Fig. 4-7)
- Verwijder de kap en draai de kraanstang zo ver mogelijk tegen de klok in met behulp van een 4mm-inbussleutel. Stop met draaien wanneer de nok wordt bereikt. (Ø9,52: Circa 10 omwentelingen)
 - Let erop dat de afsluitkraan geheel open is, druk de hendel in en draai de kap terug naar de oorspronkelijke stand.

Isolerende bekleding voor de koelstofleidingen

- De pijpen kunnen zowel voor als na het aansluiten worden bekleed met isolatiemateriaal met een dikte van maximaal Ø90. Snij het isolatiemateriaal langs de groef open en breng het op de pijpen aan.

Inlaatopening voor de leidingen

- Dicht de inlaatopeningen rond de pijpen grondig af met afdichtmiddel of kit. (Als de openingen niet worden gedicht, kan er geluid door hoorbaar zijn of kunnen water en stof het apparaat binnendringen en storingen veroorzaken.)

Voorzorgsmaatregelen voor het gebruik van de vulkraan (Fig. 4-8)

Trek de dienstopening niet overmatig aan tijdens het installeren. Hierdoor kan de binnenkant van de kraan vervormen en los gaan zitten, wat kan leiden tot een gaslek.

Draai nadat u gedeelte B in de gewenste richting hebt geplaatst alleen gedeelte A en trek dit gedeelte aan.

Trek gedeeltes A en B niet verder aan, nadat u gedeelte A hebt vastgedraaid.

⚠ Waarschuwing:

Als u het apparaat installeert, zet de koelmiddelleidingen dan stevig vast voordat u de compressor start.

4.6. Bijvullen van koelmiddel

- Als de pijplengte voor het apparaat minder bedraagt dan 30 m is bijvullen niet nodig.
- Als de pijplengte meer dan 30 m bedraagt dient u het apparaat met extra R410A-koelmiddel te vullen, in overeenstemming met de toegestane leidinglengtes volgens de ondertaande tabel.

* Zet als het apparaat is gestopt onderdruk op de verlengstukken en het binnenapparaat en vul het apparaat bij met koelstof via de vloeistofafsluitkraan. Voeg als het apparaat in werking is koelstof toe via de gaskeerlep met behulp van een veiligheidsvulapparaat. Vul niet rechtstreeks vloeibare koelstof bij via de keerlep.

* Noteer na het bijvullen van het apparaat de hoeveelheid bijgevoelde koelstof op het aan het apparaat bevestigde onderhoudslabel. Zie de paragraaf "1.5. R410A-koelmiddel buitenapparaat" voor meer informatie.

- Wees voorzichtig bij het installeren van meerdere apparaten. Aansluiting op het verkeerde binnenapparaat kan leiden tot een abnormaal hoge druk en de prestaties ernstig beïnvloeden.

Modellen	Toegestane pijplengte	Toegestane verticale verschil	Aanvankelijke hoeveelheid koelstof	Hoeveelheid bij te vullen koelstof			
				31 - 40 m	41 - 50 m	51 - 60 m	61 - 75 m
SHW80, 112, 140	2 m - 75 m	Max. 30 m	5,5 kg	0,6 kg	1,2 kg	1,8 kg	2,4 kg

Modellen	Toegestane pijplengte	Toegestane verticale verschil	Aanvankelijke hoeveelheid koelstof	Gebruikswijze	Afmeting vloeistofpijp	Hoeveelheid bij te vullen koelstof					
						21 - 30 m	31 - 40 m	41 - 50 m	51 - 60 m	61 - 70 m	71 - 80 m
SHW230	2 m - 80 m*1	Max. 30 m	7,1 kg	ATW	φ 12,7	–	1,4 kg	2,8 kg	4,2 kg	5,6 kg	7,0 kg
					φ 9,52	–	–	0,8 kg	1,7 kg	2,6 kg	3,5 kg
				ATA / AHU	φ 12,7	1,4 kg	2,8 kg	4,2 kg	5,6 kg	7,0 kg	8,4 kg
					φ 9,52	–	0,8 kg	1,7 kg	2,6 kg	3,5 kg	4,4 kg

*1. Schakel het bedieningspaneel SW8-2 op ON wanneer pijplengte 10 meter of korter is (SHW230YKA2R2 of later).

4. Installeren van de koelstofleidingen

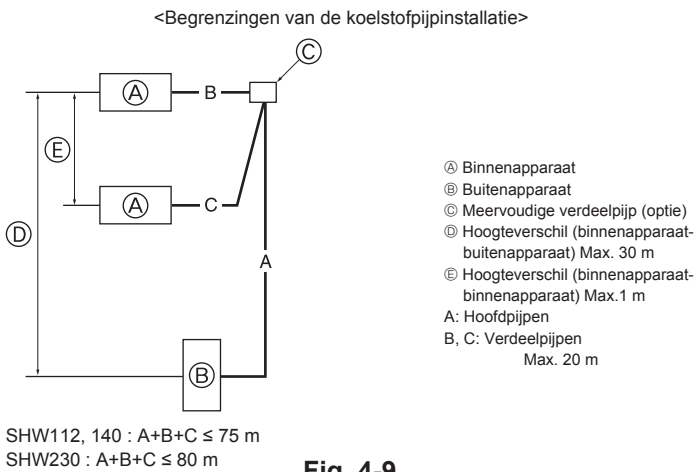


Fig. 4-9

4.7. Voor twee-/drie-/viervoudige combinaties (Fig. 4-9) (alleen voor airconditioners)

- Indien dit apparaat wordt gebruikt als een MULTI-SPLIT-apparaat, brengt u de koelvoestofpijpen aan met de beperkingen zoals aangegeven in de linkerafbeelding. Indien de beperkingen worden overschreden, of als er combinaties van binnen- en buitenapparaten zijn, verwijzen wij u voor installatiedetails naar de installatieaanwijzingen voor het binnenapparaat.

Buitenapparaat	Toegestane totale pijplengte A+B+C	Pijplengte zonder vulling A+B+C
SHW112, 140	75 m of minder	30 m of minder
SHW230	80 m of minder	30 m of minder

Buitenapparaat	B-C	Aantal bochten
SHW112, 140, 230	8 m of minder	Maximaal 15

5. Installatie van Draineerbuizen

Aansluiting van de draineerleidingen van het buitenapparaat

De PUHZ-SHW-serie kan niet met een afvoerleiding worden verbonden vanwege de koud-gebiedspecificatie.

6. Waterleidingwerk (alleen voor lucht-waterwarmtepomp)

Minimale hoeveelheid water

De volgende hoeveelheid water is voor het watercircuit vereist.

Model	Minimale hoeveelheid water (L)
SHW80	34
SHW112	48
SHW140	60
SHW230	99

Neem beschermingsmaatregelen tegen bevriezing, zoals het gebruik van een antivriesoplossing, als u de unit gebruikt in de koelstand bij een lage omgevingstemperatuur (lager dan 0 °C).

7. Elektrische aansluitingen

7.1. Buitenapparaat (Fig. 7-1, Fig. 7-2)

- Verwijder het onderhoudspaneel.
- Sluit de kabels aan aan de hand van Fig. 7-1 en 7-2.

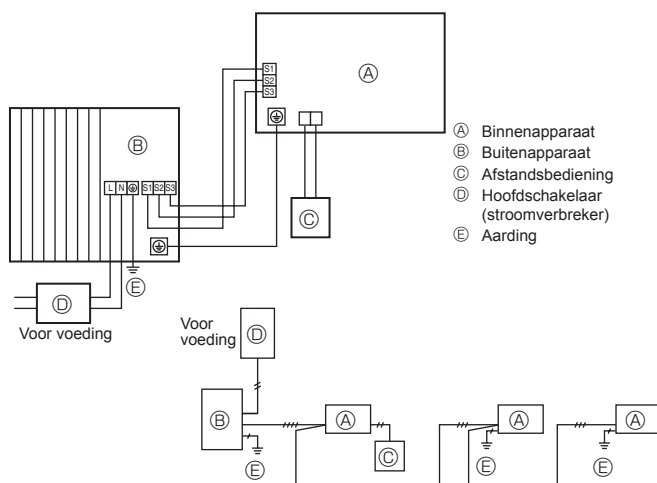


Fig. 7-1

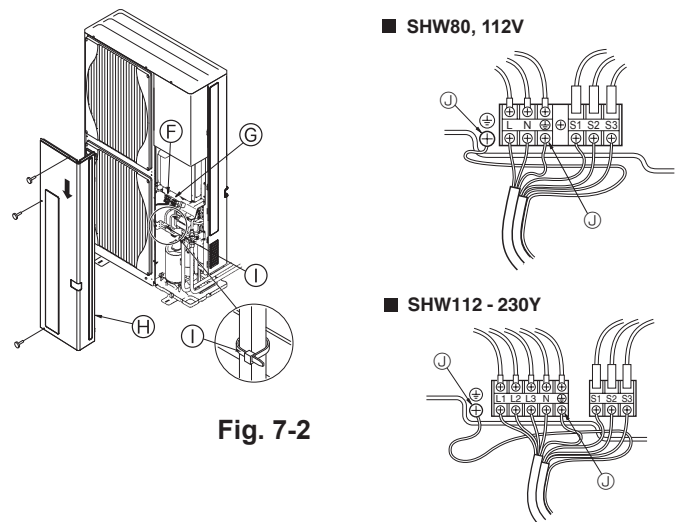


Fig. 7-2

- Ⓕ Aansluitblok
- Ⓖ Aansluitblok binnen-buitenverbinding (S1, S2, S3)
- Ⓗ Onderhoudspaneel
- Ⓘ Klem
- ⓵ Aarde-aansluiting
- * Klem de kabels zo vast dat deze geen contact maken met het midden van het onderhoudspaneel of de gaskraan.

Opmerking: Als tijdens onderhoud de beschermende laag voor de elektrische kast is verwijderd, dient u deze weer aan te brengen.

⚠ Voorzichtig: Zorg dat u de N-Line installeert. Zonder N-Line, kan het toestel beschadigd raken

Opmerking: Alleen voor lucht-waterwarmtepomp
 Wanneer er verschillende binnenapparaten (hydroboxes) worden aangesloten op het buitenapparaat, verbindt u de printplaat van een van de binnenapparaten met het buitenapparaat (S1, S2, S3).

Het is niet mogelijk de printplaten van verschillende binnenapparaten met het buitenapparaat te verbinden.

7. Elektrische aansluitingen

7.2. Elektrische bedrading op de plaats van installatie

Model buitenapparaat	SHW80V	SHW112V	SHW112, 140Y	SHW230Y
Buitenapparaat voeding	~N (Eenfase), 50 Hz, 230 V	~N (Eenfase), 50 Hz, 230 V	3N~ (3 fasen, 4 draden), 50 Hz, 400 V	3N~ (3 fasen, 4 draden), 50 Hz, 400 V
Ingangsvermogen buitenapparaat Hoofdschakelaar (stroomverbreker)	32 A	40 A	16 A	25 A
Bedrading Aantal draden x dikte in (mm ²)	Buitenapparaat voeding	3 x Min. 4	3 x Min. 6	5 x Min. 1,5
	Binnenapparaat-Buitenapparaat	*2 3 x 1,5 (Polariteit)	3 x 1,5 (Polariteit)	3 x 1,5 (Polariteit)
	Aarde voor verbindingkabel tussen binnenuit/buitenapparaat	*2 1 x Min. 1,5	1 x Min. 1,5	1 x Min. 1,5
	Aansluitkabel tussen afstandsbediening en binnenapparaat	*3 2 x 0,3 (Geen polariteit)	2 x 0,3 (Geen polariteit)	2 x 0,3 (Geen polariteit)
Nominale vermogen stroomkring	Buitenapparaat L-N (Eenfase)	230 V AC	230 V AC	230 V AC
	Buitenapparaat L1-N, L2-N, L3-N (3 fasen)	230 V AC	230 V AC	230 V AC
	Binnenapparaat-Buitenapparaat S1-S2	230 V AC	230 V AC	230 V AC
	Binnenapparaat-Buitenapparaat S2-S3	24 V DC	24 V DC	24 V DC
Aansluitkabel tussen afstandsbediening en binnenapparaat	*4 12 V DC	12 V DC	12 V DC	12 V DC

*1. Gebruik een aardlekschakelaar (NV) met een contactopening van minimaal 3,0 mm per pool.

Let erop dat de stroomonderbreker geschikt is voor de aanwezigheid van hogere harmonischen.

Gebruik altijd een stroomonderbreker die geschikt is voor de aanwezigheid van hogere harmonischen, aangezien dit apparaat is uitgerust met een omvormer.

Een onjuiste stroomonderbreker kan leiden tot verkeerde werking van de omvormer.

*2. (SHW80 - 140)

Max. 45 m

Bij toepassing van 2,5 mm², max. 50 m

Bij toepassing van 2,5 mm² en gescheiden S3, max. 80 m

(SHW230)

Max. 80 m. De totale maximumlengte, inclusief alle verbindingen met binnen/ binneneenheden is 80 m.

* Gebruik één kabel voor S1 en S2 en een andere voor S3 zoals aangegeven in de afbeelding.



*3. De afstandsbediening is voorzien van een kabel van 10 m.

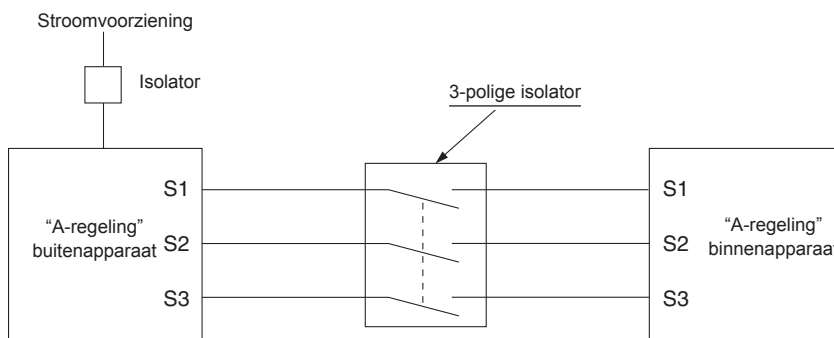
*4. De cijfers zijn NIET altijd van toepassing bij aarding.

S3-terminal heeft 24 V DC in tegenstelling tot S2-terminal. Tussen S3 en S1 zijn deze terminals niet elektrisch geïsoleerd door de transformator of een ander apparaat.

Opmerkingen: 1. De afmeting van de bedrading moet voldoen aan de van toepassing zijnde lokale en nationale norm.

2. De voedingskabels en de verbindingkabels van de binnen- en buitenapparaten mogen niet lichter zijn dan met polychloropreen bekleede flexikabels. (Ontwerp 60245 IEC 57)

3. Zorg ervoor dat de aarddraad langer is dan de andere draden, zodat deze niet los kan komen indien de kabel onder mechanische spanning komt te staan.



⚠ Waarschuwing:

- Bij het aansluiten van A-control dient u er rekening mee te houden dat er een hoge spanning op aansluiting S3 staat. Dit komt door het ontwerp van het elektrische circuit, dat geen elektrische scheiding kent tussen de leiding van de krachtstroom en de leiding van het communicatiesignaal. Zet daarom de hoofdschakelaar uit als u onderhoud wilt uitvoeren. En raak de aansluitingen S1, S2 en S3 niet aan bij ingeschakelde spanning. Als u tussen het binnen- en buitenapparaat een scheider wilt toepassen, gebruik dan een scheider van het 3-polige type.
- Als de omgevingstemperatuur lager dan -20°C is, heeft het apparaat ten minste 12 uur standbytijd nodig om de elektrische onderdelen op te warmen.

Voorkom rookvorming, brand en communicatiestoringen en slijt derhalve de voedingskabel en de kabel tussen het binnen- en buitenapparaat niet.

AANSLUITKABEL BINNEN-BUITEN (SHW230)

Doorsnede kabel	Aderdoorsnede (mm ²)	Aantal aders	Polariteit	L (m)*6
Rond 	2,5	3	Rechtsom : S1-S2-S3 * Let op geel-groen-gestreepte ader	(30) *2
Vlak 	2,5	3	Niet van toepassing (Omdat de middelste ader geen afscherming heeft)	Niet van toepassing *5
Vlak 	1,5	4	Van links naar rechts : S1-Open-S2-S3	(18) *3
Rond 	2,5	4	Rechtsom : S1-S2-S3-Open * Sluit S1 en S3 aan op tegenoverliggende aders	(30) *4

*1 : De voedingskabels van de apparatuur mogen niet dunner zijn dan volgens ontwerp 60245 IEC of 227 IEC.

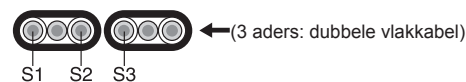
*2 : Bij kabel met geel-groene ader.

*3 : Bij aansluiting volgens normale polariteit (S1-S2-S3) bedraagt de ader diameter 1,5 mm².

*4 : Bij aansluiting volgens normale polariteit (S1-S2-S3).

*5 : Indien de vlakke kabels volgens de afbeelding zijn aangesloten, mogen ze 30 m lang zijn.

*6 : De genoemde kabellengte is een richtwaarde. Deze kan afwijken, afhankelijk van de installatieomstandigheden, materiaalvochtigheid, enz.



Zorg ervoor dat de verbindende kabels voor het binnen-buitenapparaat altijd direct met de eenheden verbonden zijn (geen tussentijdse verbindingen). Tussentijdse verbindingen kunnen leiden tot communicatiefouten in geval van water in de kabels en onvoldoende isolatie met de grond veroorzaken of tot een slecht elektrisch contact bij het tussentijdse verbindingpunt.

8. Proefdraaien (alleen voor airconditioners)

8.1. Voordat u gaat proefdraaien

- ▶ Controleer nadat u de binnen-en buitenapparaten, inclusief pijpen en bedrading, volledig heeft geïnstalleerd het geheel op lekken van koelstof, losse elektrische contacten in voeding of besturingsbedrading en polariteit en controleer of er geen verbreking van een fase in de voeding is.
- ▶ Controleer met behulp van een megohmmeter van 500 volt of de weerstand tussen de netspanningsaansluitpunten en de aarde minimaal 1 MΩ bedraagt.
- ▶ Voer deze test niet uit op de aansluitpunten van de besturingsbedrading (laagspanningscircuit).

⚠ Waarschuwing:

U mag de buitenapparaat niet gebruiken als de isolatieweerstand minder dan 1 MΩ bedraagt.

Isolatieweerstand

Na de installatie of nadat de voeding van het apparaat langere tijd is uitgeschakeld, daalt de isolatieweerstand tot onder 1 MΩ door de ophoping van koelstof in de compressor. Dit is geen storing. Volg de onderstaande procedures.

1. Haal de bedrading van de compressor los en meet vervolgens de isolatieweerstand van de compressor.
2. Als de isolatieweerstand lager is dan 1 MΩ, is de compressor defect of is de weerstand gedaald door de ophoping van koelstof in de compressor.
3. Sluit de bedrading van de compressor weer aan en schakel de voeding in. De compressor zal nu beginnen met warmdraaien. Meet de isolatieweerstand opnieuw nadat de voeding gedurende de hieronder aangegeven periode is ingeschakeld.

- De isolatieweerstand daalt door de ophoping van koelstof in de compressor. De weerstand stijgt tot boven 1 MΩ nadat de compressor 4 uur heeft warmgedraaid. (De tijd die de compressor nodig heeft om warm te draaien varieert afhankelijk van de atmosferische omstandigheden en de ophoping van koelstof.)
 - Bij ophoping van koelstof in de compressor moet deze voor gebruik ten minste 12 uur warmdraaien om storingen te voorkomen.
4. Als de isolatieweerstand stijgt tot boven 1 MΩ, is de compressor niet defect.

⚠ Voorzichtig:

- De compressor werkt uitsluitend als de fase-aansluiting van de netspanning correct is.
- Zet de netspanningschakelaar ruim 12 uur voordat u de airconditioner gaat gebruiken aan.
- Als u het apparaat meteen nadat u de netschakelaar heeft omgedraaid aanzet, kunnen de interne onderdelen ernstig beschadigd worden. Gedurende het seizoen waarin u het apparaat gebruikt, moet u de netschakelaar altijd aan laten staan.

▶ Controleer ook het volgende.

- Het buitenapparaat is niet defect. LED1 en LED2 op het bedieningspaneel van het buitenapparaat knipperen als het apparaat defect is.
- Zowel de gas- als vloeistofafsluitkraan staan volledig open.
- Het Dip-schakelaarpaneel op het bedieningspaneel van het buitenapparaat is voorzien van een beschermplaatje. Verwijder het beschermplaatje om de Dip-schakelaars eenvoudig te kunnen bedienen.

8.2. Proefdraaien

8.2.1. Met SW4 in het buitenapparaat

SW4-1	ON/AAN	Koelen
SW4-2	OFF/UIT	
SW4-1	ON/AAN	Verwarmen
SW4-2	ON/AAN	

- * Nadat u het apparaat heeft laten proefdraaien, zet u SW4-1 op OFF/UIT.
- Als de voeding wordt ingeschakeld, kan een zacht klikgeluid hoorbaar zijn in het buitenapparaat. Dit is de elektronische expansieklep die open en dicht gaat. Het apparaat is niet defect.
- Enkele seconden nadat de compressor is gestart kan een metalig geluid hoorbaar zijn in het binnenapparaat. Dit geluid is afkomstig van de keerklep en wordt veroorzaakt door het kleine drukverschil binnen de pijpen. Het apparaat is niet defect.

De proefdraaimodus kan tijdens het proefdraaien niet worden gewijzigd door middel van Dip-schakelaar SW4-2. (Als u de proefdraaimodus tijdens het proefdraaien wilt wijzigen, zet het proefdraaien dan stop met Dip-schakelaar SW4-1. Wijzig vervolgens de proefdraaimodus en hervat het proefdraaien met schakelaar SW4-1.)

8.2.2. Afstandsbediening gebruiken

Zie installatiehandleiding binnenapparaat.

Opmerking :

Af en toe kan damp, veroorzaakt door de ontdooiende werking erop lijken alsof er rook uit de buitenste behuizing komt.

9. Speciale functies

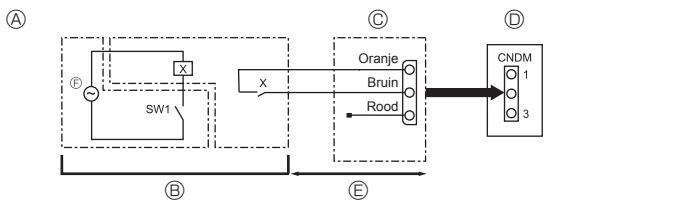


Fig. 9-1

- A Voorbeeld van elektrisch schema (stille werking) D Bedieningspaneel buitenapparaat
 B Indeling ter plaatse E Max. 10 m
 C Externe invoeradapter (PAC-SC36NA-E) F Stroomvoorziening voor relais
 X: Relais

9.1. Stille werking (wijziging ter plaatse) (Fig. 9-1)

Door middel van de volgende aanpassing kan het geluid van het buitenapparaat met ongeveer 3-4 dB worden teruggebracht.

De stille werking kan worden geactiveerd door installatie van een in de handel verkrijgbare timer of het omzetten van een ON/OFF-schakelaar op de CNDM-stekker (afzonderlijk verkrijgbaar) op het bedieningspaneel van het buitenapparaat.

- Het resultaat varieert afhankelijk van de buitentemperatuur, weersomstandigheden etc.
- ① Breidt het circuit uit zoals afgebeeld bij gebruik van de externe invoeradapter (PAC-SC36NA-E). (Afzonderlijk verkrijgbaar)
- ② SW1 op ON: Stille werking
SW1 op OFF: Normale werking

Opmerking:

Als de Dip-schakelaars SW7-1 en SW9-1 op het bedieningspaneel van het buitenapparaat op ON staan, zet u de Dip-schakelaars SW7-1 en SW9-1 op OFF. (Deze modus kan niet in combinatie met de vraagfunctie worden gebruikt.)

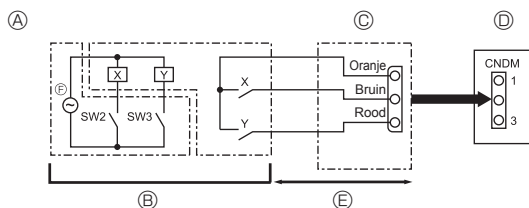


Fig. 9-2

- A Voorbeeld van elektrisch schema (Vraagfunctie) D Bedieningspaneel buitenapparaat
 B Indeling ter plaatse E Max. 10 m
 C Externe invoeradapter (PAC-SC36NA-E) F Stroomvoorziening voor relais
 X, Y: Relais

9.2. Vraagfunctie (wijziging ter plaatse) (Fig. 9-2) (alleen voor airconditioners)

Door de volgende wijziging uit te voeren, kan het energieverbruik worden teruggedrongen met 0-100% van het normale verbruik.

De vraag-functie kan worden geactiveerd door installatie van een in de handel verkrijgbare timer of het omzetten van een ON/OFF-schakelaar op de CNDM-stekker (afzonderlijk verkrijgbaar) op het bedieningspaneel van het buitenapparaat.

- ① Breidt het circuit uit zoals afgebeeld bij gebruik van de externe invoeradapter (PAC-SC36NA-E). (Afzonderlijk verkrijgbaar)
- ② Door het omzetten van de schakelaars SW7-1 op het bedieningspaneel van het buitenapparaat, kan het energieverbruik met de volgende percentages worden beperkt (in vergelijking met het normale verbruik):

	SW7-1	SW2	SW3	Energieverbruik
Vraagfunctie	ON	OFF	OFF	100%
		ON	OFF	75%
		ON	ON	50%
		OFF	ON	0% (Stop)

9.3. Terugwinnen van de koelstof (leegpompen)

Bij verplaatsen of verwijderen van de binnenunit/buitenunit dient het systeem volgens de onderstaande procedure te worden leeggepompt, zodat geen koelmiddel in de atmosfeer terecht kan komen.

- Schakel de voedingsspanning (stroomonderbreker) uit.
- Sluit de lagedrukklep van het meterverdeelstuk aan op de laadstekker (lagedrukzijde) van de buitenunit.
- Sluit de vloeistofafsluitkraan volledig.
- Elektrische voeding (stroomonderbreker).
 - * Controleer als de voeding is ingeschakeld of "CENTRALLY CONTROLLED" wordt weergegeven op de afstandsbediening. Als "CENTRALLY CONTROLLED" wordt weergegeven, kan de koelstof niet op normale wijze worden teruggewonnen.
 - * Ongeveer 3 minuten na het inschakelen van de voeding (netschakelaar) wordt de communicatie tussen de binnen- en buitenapparaat gestart. Start het leegpompen 3 tot 4 minuten na het inschakelen van de voeding (netschakelaar).
- Vang het koelmiddel op (proefdraaien met koeling).
 - * Druk op de SWP-schakelaar voor leegpompen (drukknop) op schakelkast van de buitenunit. De compressor en ventilatoren (binnen- en buitenunits) starten (het opvangen van koelmiddel begint). (LED1 en LED2 op de schakelkast van de buitenunit branden.)
 - * Druk alleen op de SWP-schakelaar voor leegpompen als de unit gestopt is. Echter, zelfs wanneer het apparaat wordt gestopt en de SWP-schakelaar binnen drie minuten nadat de compressor stopt, wordt ingedrukt, kan er geen koelmiddel worden opgevangen. Wacht tot de compressor 3 minuten is gestopt en druk vervolgens opnieuw op de SWP-schakelaar voor leegpompen.
- Sluit de kogelklep in de gasleiding aan de buitenunit volledig zodra de manometer op het meterverdeelstuk 0,05 tot 0 MPa [meter] aangeeft (ongeveer 0,5 tot 0 kgf/cm²) en stop de buitenunit snel.

- * Als u opnieuw op de SWP-schakelaar voor leegpompen drukt, stopt het apparaat.
- * Sluit de gaskogelklep omdat het apparaat, nadat het opvangen van koelmiddel is voltooid (LED1 uit, LED2 brandt), binnen ongeveer drie minuten automatisch stopt. Als echter LED1 brandt, LED2 uit is en het apparaat is gestopt, opent u de vloeistofafsluitkraan helemaal en sluit u de kraan na minimaal 3 minuten volledig. Vervolgens herhaalt u stap ⑤. (Open de gaskogelklep volledig.)
- * Als het opvangen van het koelmiddel normaal voltooid is (LED1 uit, LED2 brandt), blijft het apparaat gestopt tot de voeding is uitgeschakeld.
- * Houd er rekening mee dat leegpompen misschien niet kan als de verlengstukken erg lang zijn en er grote hoeveelheden koelmiddel in de verlengstukken zit. Gebruik in dit geval onderdelen voor koelmiddelrecuperatie om al het koelmiddel uit het systeem te verzamelen.
- ⑦ Schakel de voedingsspanning (stroomonderbreker) uit, verwijder het meterverdeelstuk en koppel vervolgens de koelmiddelleidingen los.

⚠ Waarschuwing:

Als u het koelmiddel uit het apparaat pompt, schakel de compressor dan uit voordat u de koelmiddelleidingen loskoppelt.

- Als u de koelmiddelleidingen loskoppelt terwijl de compressor werkt en de afsluitkraan (kogelklep) geopend is, kan de druk in het koelmiddelcircuit extreem hoog worden als er lucht wordt aangezogen, waardoor de leidingen kunnen barsten, mensen gewond kunnen raken, enz..

9.4 Het instellen van de temperatuur van de ZUBADAN flash injection-functie

De ZUBADAN flash injection-functie bereikt een hoge verwarming bij lage buitentemperaturen.

- De SW9-3 en SW9-4 op het bedieningspaneel van het buitenapparaat maken een instelling van de temperatuur mogelijk voor de ZUBADAN flash injection-functie zoals wordt weergegeven in de onderstaande tabel.

SW9-3	SW9-4	Buitentemperatuur
OFF	OFF	3°C of minder (Standaardinstelling)
OFF	ON	0°C of minder
ON	OFF	-3°C of minder
ON	ON	-6°C of minder

10. Het systeem controleren

10.1. Airconditioners

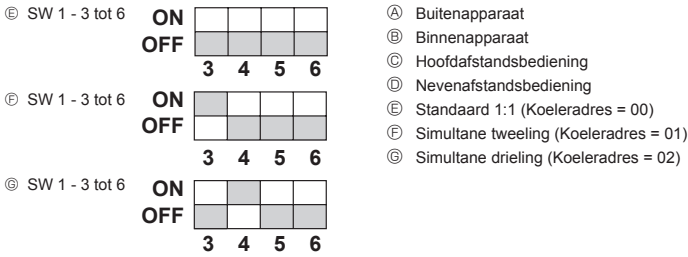
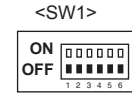


Fig. 10-1

* Stel het koeleradres in met de minischakelaar van het buitenapparaat.
 ① Draden vanaf de afstandsbediening
 Deze draad wordt bevestigd aan TB5 (aansluitpaneel van de afstandsbediening van het binnenapparaat (niet polair).
 ② Als een andere koelsysteemgroepering wordt gebruikt.
 Met de dunne MA afstandsbediening kunnen tot 16 koelsystemen als één groep worden bediend.

Opmerking:
 Bij een enkelvoudig koelsysteem (tweeling/drieling), heeft geen overdrachtskabel te worden aangelegd ②.

SW1
 Functietabel



	Functie	Bedrijf in overeenstemming met de schakelaarinstelling	
		ON	OFF
Functie-instellingen van SW1	1 Gedwongen ontdooien	Start	Normal
	2 Fouthistorie gewist	Clear	Normal
	3 Adresinstelling koelsysteem	Adresinstellingen voor de buitenapparaten 0 t/m 15	
	4		
	5		
	6		

10.2. Lucht-waterwarmtepomp

Stel het koelstofadres met de Dip-schakelaar van de buitenapparaat in.

SW1 functie-instelling

SW1 instelling	Koelstof-adres	SW1 instelling	Koelstof-adres
ON OFF □ □ □ □ □ □ □ □ 3 4 5 6 7	00	ON OFF □ □ □ □ □ □ □ □ 3 4 5 6 7	03
ON OFF □ □ □ □ □ □ □ □ 3 4 5 6 7	01	ON OFF □ □ □ □ □ □ □ □ 3 4 5 6 7	04
ON OFF □ □ □ □ □ □ □ □ 3 4 5 6 7	02	ON OFF □ □ □ □ □ □ □ □ 3 4 5 6 7	05

Opmerking:
 a) Er kunnen maximaal 6 units worden verbonden.
 b) Kies één model voor alle units.
 c) Zie de installatiehandleiding van de binnenunit voor de instelling van de Dip-schakelaar voor de binnenunit.

11. Specificaties

Geluidsniveau (gemeten onder de nominale bedrijfsfrequentie.)

			SHW80VHA	SHW112Y/VHA	SHW140YHA	SHW230YKA2
SPL	Verwarming	dB(A)	51	52	52	59
	Koeling	dB(A)	50	51	51	58
PWL	Verwarming	dB(A)	69	70	70	75

Contenido

1. Medidas de Seguridad.....	46	7. Trabajo eléctrico	52
2. Lugar en que se instalará	47	8. Prueba de funcionamiento (solo para aires acondicionados).....	54
3. Instalación de la unidad exterior.....	49	9. Funciones especiales.....	55
4. Instalación de los tubos del refrigerante.....	49	10. Sistema de control.....	56
5. Tubería de drenaje	52	11. Especificaciones.....	56
6. Trabajo de colocación de las tuberías de agua (solo para bomba de calor ACS)	52		

Nota: Este símbolo sólo es aplicable para la UE.

Este símbolo es de conformidad con la Directiva 2012/19/EU, Artículo 14: Información para los usuarios, y el Anexo IX.

Su producto MITSUBISHI ELECTRIC está diseñado y fabricado con materiales y componentes de alta calidad que pueden ser reciclados y reutilizados. Este símbolo significa que el aparato eléctrico y electrónico, al final de su ciclo de vida, se debe tirar separadamente del resto de sus residuos domésticos. Por favor, deposite este aparato en el centro de recogida/reciclado de residuos de su comunidad local cuando quiera tirarlo. En la Unión Europea existen sistemas de recogida específicos para productos eléctricos y electrónicos usados. ¡Ayúdenos a conservar el medio ambiente!



⚠ Cuidado:

- No expulse R410A a la atmósfera:

1. Medidas de Seguridad

- ▶ Antes de instalar la unidad, asegúrese de haber leído el capítulo de "Medidas de seguridad".
- ▶ Antes de conectar el sistema, informe al servicio de suministro o pídale permiso para efectuar la conexión.
- ▶ PUAZ-SHW230YKA2
"Este equipo cumple la norma IEC 61000-3-12 siempre que la corriente de cortocircuito (S_{sc}) de potencia de cortocircuito sea mayor o igual que la S_{sc} (*1) en el punto de interfaz entre la alimentación del usuario y el sistema público. Es responsabilidad del instalador o usuario del equipo garantizar, consultando al operador de la red de distribución si fuera necesario, que el equipo se conectará únicamente a una fuente de alimentación con S_{sc} mayor o igual que la S_{sc} (*1)"

S_{sc} (*1)

Modelo	S_{sc} (MVA)
PUAZ-SHW230YKA2	1,35

⚠ Atención:

Describe las precauciones que deben tenerse en cuenta para evitar el riesgo de lesiones o muerte del usuario.

⚠ Cuidado:

Describe las precauciones que deben tenerse en cuenta para evitar daños en la unidad.

Después de terminar la instalación, explique las "Medidas de Seguridad", funcionamiento y mantenimiento de la unidad al cliente según el Manual de instrucciones y realice una prueba para asegurarse de que funciona correctamente. Entregue una copia del Manual de instalación y del Manual de instrucciones al usuario. Estos manuales deben pasar a usuarios posteriores del equipo.



: Indica una pieza que debe estar conectada a tierra.

⚠ Atención:

Lea atentamente las etiquetas adheridas a la unidad principal.

⚠ Atención:

- El usuario no debe instalar la unidad. La instalación del aire acondicionado debe correr a cargo del distribuidor o técnico autorizado. La instalación incorrecta de la unidad puede provocar escapes de agua, descargas eléctricas o incendios.
- Para la instalación, siga las instrucciones del Manual de instalación y utilice las herramientas y piezas de fontanería específicamente diseñados para utilizar con el refrigerante R410A. El refrigerante R410A en el sistema de HFC puede asimilar una presión 1,6 veces superior a la de los refrigerantes convencionales. Si los accesorios de fontanería que se instalan no están fabricados para el refrigerante R410A, los tubos se pueden quemar y causar daños o lesiones. Además, pueden producirse escapes de agua, descargas eléctricas o incendios.
- La unidad debe instalarse según las instrucciones para reducir posibles daños en caso de terremoto, huracán o vientos fuertes. Si no se instala correctamente, la unidad podría caerse y provocar daños o lesiones.
- La unidad debe instalarse firmemente sobre una estructura capaz de soportar su peso. Si la unidad se instala sobre una estructura inestable, podría caerse y provocar daños o lesiones.
- Si la unidad exterior se instala en una sala pequeña, deberán tomarse medidas para prevenir que la concentración de refrigerante exceda los límites de seguridad en caso de fugas. Pregunte a un distribuidor por las medidas adecuadas para evitar que la concentración exceda los límites. Si se produce una fuga de refrigerante que sobrepase los límites de concentración, la estancia en la sala puede ser peligrosa por falta de oxígeno.
- Si se produce una fuga de refrigerante durante el funcionamiento, ventile la sala. Si el refrigerante entra en contacto con una llama, se desprenderán gases nocivos.
- Todas las conexiones eléctricas deberán ser realizadas por un técnico cualificado según la normativa local y las instrucciones de este manual. Cada unidad debe tener su línea eléctrica y se deben usar disyuntores y un voltaje correcto. El uso de líneas eléctricas con una capacidad insuficiente o una conexión eléctrica incorrecta puede provocar descargas eléctricas o incendios.
- Utilice tubos de cobre fosforoso del tipo C1220 y tubos de aleación de cobre sin costuras para conectar los tubos del refrigerante. Si los tubos no se conectan correctamente, la unidad no estará bien puesta a tierra y puede provocar descargas eléctricas.

- Utilice solo cables especificados para el cableado. Las conexiones del cableado se deben realizar con seguridad sin que se ejerza tensión en las conexiones de los terminales. Asimismo, no empalme nunca los cables al realizar el cableado (a menos que se indique lo contrario en este documento). El hecho de no seguir estas instrucciones puede provocar un sobrecalentamiento o un incendio.
- La cubierta del bloque de terminales de la unidad exterior tiene que estar bien sujeta. Si la cubierta no se instala correctamente y el polvo y la humedad entran en la unidad, se pueden producir una descarga eléctrica o un incendio.
- Cuando instale o cambie de sitio la unidad exterior, o al realizar tareas de mantenimiento, utilice únicamente el refrigerante indicado (R410A) para cargar los tubos del refrigerante. No lo mezcle con otro tipo de refrigerante y vacíe completamente de aire los tubos. Si el aire se mezcla con el refrigerante, podría producir una tensión anormalmente alta en el tubo del refrigerante y ocasionar una explosión u otros peligros. Usar un refrigerante distinto al indicado para el sistema provocará un fallo mecánico, un funcionamiento defectuoso del sistema o la avería de la unidad. En el peor de los casos, podría suponer un grave impedimento para garantizar la seguridad del producto.
- Utilice sólo accesorios autorizados por Mitsubishi Electric y pida a su distribuidor o a un técnico autorizado que se los instale. Si los accesorios no se instalan correctamente, pueden producirse escapes de agua, descargas eléctricas o incendios.
- No modifique la unidad. Para las reparaciones, acuda a su distribuidor. Si las modificaciones o las reparaciones no se realizan correctamente, pueden producirse escapes de agua, descargas eléctricas o incendios.
- El usuario nunca debe intentar reparar la unidad o moverla de sitio. Si la unidad no se instala correctamente, pueden producirse escapes de agua, descargas eléctricas o incendios. Si debe reparar o mover la unidad exterior, acuda a un distribuidor o técnico autorizado.
- Tras haber realizado la instalación, compruebe si hay fugas de refrigerante. Si en caso de fuga el refrigerante entra en contacto con las llamas de un calentador o de un equipo de cocina portátil, se desprenderán gases nocivos.

1.1. Cuestiones previas a la instalación

⚠ Cuidado:

- No utilice la unidad en un ambiente enrarecido. Esta unidad exterior no se puede instalar en áreas expuestas a vapor, aceite esencial (incluido el aceite para máquinas) o gas sulfúrico, ni en áreas con alto contenido en sal, como playas, o en zonas donde la nieve pueda cubrir la unidad, ya que pueden reducir significativamente su rendimiento y dañar las piezas internas.
- No instale la unidad donde se puedan verter, producir, circular o acumular gases inflamables. Si se acumula gas inflamable en zonas próximas a la unidad, se podría producir un incendio o una explosión.

- La unidad exterior produce condensación cuando funciona como calefacción. Asegúrese de habilitar drenaje alrededor de la unidad exterior si la condensación puede provocar daños.
- Si instala la unidad en un hospital o en un centro de comunicaciones, recuerde que la unidad produce ruidos e interferencias electrónicas. Los conmutadores, aparatos domésticos, equipos médicos de alta frecuencia y equipos de comunicaciones de radio pueden provocar un mal funcionamiento o la avería de la unidad exterior. La unidad exterior también puede producir efectos en los equipos médicos, e interferir en los cuidados médicos, y en los equipos de comunicaciones, dañando la calidad de la visualización en la pantalla.

1. Medidas de Seguridad

1.2. Cuestiones previas a la instalación (reubicación)

⚠ Cuidado:

- Extremar las precauciones al transportar o instalar las unidades. Se necesitan dos o más personas para llevar la unidad porque pesa 20 kg o más. No la sujete por las bandas de embalaje. Utilice guantes protectores para sacar la unidad de la caja y para moverla, ya que se podría lastimar las manos con las aletas o con los bordes de alguna de las piezas.
- Guarde los embalajes en un lugar seguro. Los materiales de embalaje, como clavos y otras piezas de metal o de madera pueden producir pinchazos y otras lesiones.
- La base y los aditamentos de fijación de la unidad exterior deben comprobarse periódicamente para detectar posibles roturas, tuercas flojas o cualquier otro daño que hayan podido sufrir. Si no se solucionan esos problemas, la unidad podría caerse y causar daños o lesiones.
- No limpie la unidad exterior con agua. Puede sufrir una descarga eléctrica.
- Apriete las tuercas de abocardado a los niveles recomendados mediante una llave dinamométrica. Si las aprieta demasiado, se pueden romper al cabo de un tiempo y producirse fugas de refrigerante.

1.3. Antes de la instalación eléctrica

⚠ Cuidado:

- Asegúrese de instalar disyuntores. Si no se instalan, se podrían producir descargas eléctricas.
- Use cables estándar de suficiente capacidad para las líneas eléctricas. Si no lo hace así, se podría producir un cortocircuito, un sobrecalentamiento o un incendio.
- Cuando instale las líneas eléctricas, los cables no deben tener corriente. Si las conexiones se aflojan, los cables se podrían cruzar o romper y se podría producir un incendio o un sobrecalentamiento.
- Asegúrese de instalar una toma de tierra. No conecte el cable de tierra a las tomas de tierra de las tuberías de gas o de agua, de postes de iluminación o de teléfono. Si la unidad no está bien conectada a la línea de tierra, se puede producir una descarga eléctrica.
- Utilice disyuntores (interruptor de falta de tierra, interruptor aislante (+fusible B) e interruptores en caja moldeada) con la potencia especificada. Si la potencia del interruptor es mayor que la especificada, puede ocurrir un incendio o una avería.

1.4. Antes de realizar las pruebas de funcionamiento (solo para aires acondicionados)

⚠ Cuidado:

- Conecte la corriente al menos 12 horas antes de que empiece a funcionar el equipo. Si se acciona inmediatamente después de haberlo conectado a la corriente, pueden producirse daños graves en las piezas internas. Mantenga la unidad conectada a la corriente durante la temporada de funcionamiento.
- Antes de que comience a funcionar el equipo, compruebe que todos los paneles y protectores están instalados correctamente. Las piezas giratorias, calientes o de alto voltaje pueden provocar lesiones.
- No toque ningún interruptor con las manos mojadas. Puede sufrir una descarga eléctrica.
- No toque la tubería del refrigerante sin guantes mientras durante el funcionamiento. La tubería del refrigerante está caliente o frío según las condiciones de la corriente de refrigerante. Si toca la tubería puede sufrir quemaduras por el calor o por el frío.
- Una vez deje de funcionar el aparato, espere cinco minutos antes de apagar el interruptor principal. De lo contrario, se puede producir un goteo de agua o una avería.

1.5. Utilizar el refrigerante R410A en la unidad exterior

⚠ Cuidado:

- Utilice tubos de cobre fosforoso del tipo C1220 y tubos de aleación de cobre sin costuras para conectar los tubos del refrigerante. Asegúrese de que el interior de las tuberías está limpio y que no contienen ningún contaminante dañino como compuestos sulfúricos, oxidantes, impurezas o polvo. Utilice tuberías con el grosor especificado. (Consulte la sección 4.1.) Tenga en cuenta lo siguiente si reutiliza tuberías que contenían refrigerante R22.
- Sustituya las tuercas de abocardado existentes y vuelva a abocardar las secciones abocardadas.
- No use tuberías de poco grosor. (Consulte la sección 4.1.)
- Almacene las tuberías que se deban instalar en el interior y mantenga los orificios tapados hasta el momento de instalarlas. (Deje las juntas articuladas y otras piezas en sus embalajes.) Si el polvo, los restos o la humedad entran en las tuberías de refrigeración, se puede producir el deterioro del aceite o una avería en el aparato.
- Utilice aceite de éster, de éter o alquilobenceno (en pequeñas cantidades) para recubrir las secciones abocardadas. Si se mezcla aceite mineral con aceite de refrigeración se puede deteriorar el aceite.
- No utilice otro refrigerante que no sea R410A. Si utiliza otro refrigerante, el cloro provocará el deterioro del aceite.
- Utilice las siguientes herramientas especialmente diseñadas para usar con el refrigerante R410A. Se necesitan las siguientes herramientas para utilizar el refrigerante R410A. Si tiene alguna duda, consulte con su distribuidor más cercano.

Herramientas (para R410A)	
Manómetro	Abocardador
Manguera de carga	Ajustador del tamaño
Detector de fugas de gas	Adaptador de la bomba de vacío
Llave dinamométrica	Báscula electrónica de carga del refrigerante

- Asegúrese de utilizar las herramientas adecuadas. Si el polvo, los restos o la humedad entran en las tuberías de refrigeración, se puede producir el deterioro del aceite de refrigeración.
- No utilice un cilindro de carga. Si utiliza un cilindro de carga, variará la composición del refrigerante y no será tan eficaz.

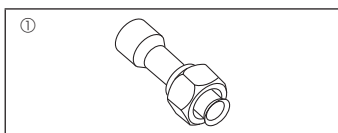


Fig. 1-1

1.6. Accesorios de la unidad exterior (Fig. 1-1) (SHW230)

Las piezas que se muestran en la figura de la izquierda son los accesorios de esta unidad, que están fijados en el interior del panel de servicio.

- ① Tubo de empalme.....x1

2. Lugar en que se instalará

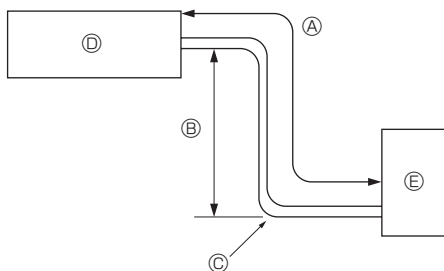


Fig. 2-1

2.1. Tubería de refrigerante (Fig. 2-1)

- Compruebe que la diferencia de altura entre las unidades interior y exterior, la longitud del tubo de refrigerante y la cantidad de codos en la tubería se encuentren dentro de los límites que se indican a continuación.

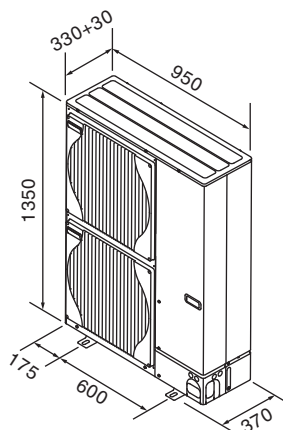
Modelos	Ⓐ Longitud de las tuberías (un sentido)	Ⓑ Diferencia de altura	Ⓒ Número de codos (un sentido)
SHW80, 112, 140	2 m - 75 m	Máx. 30 m	Máx. 15
SHW230	2 m - 80 m	Máx. 30 m	Máx. 15

- La limitación de diferencia de altura se define independientemente de qué unidad, ya sea interior o exterior, esté situada a mayor altura.

- Ⓓ Unidad interior
- Ⓔ Unidad exterior

2. Lugar en que se instalará

■ SHW80, 112, 140



■ SHW230

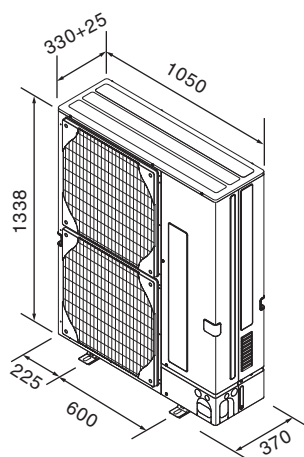


Fig. 2-2

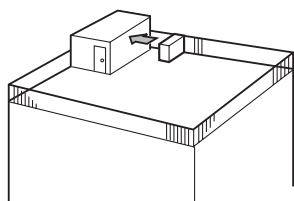


Fig. 2-3

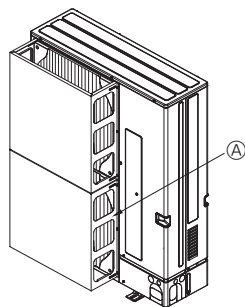


Fig. 2-4

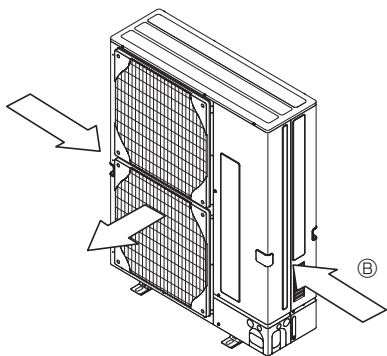


Fig. 2-5

2.2. Elección del lugar de instalación de la unidad exterior

- No instale la unidad en lugares expuestos directamente al sol o a otras fuentes de calor.
- Escoja un lugar donde el ruido de la unidad no moleste a los vecinos.
- Escoja un lugar donde sea fácil instalar el cableado y las tuberías y acceder a la fuente de alimentación y a la unidad exterior.
- No instale la unidad donde se puedan verter, producir, circular o acumular gases inflamables.
- Durante el funcionamiento, la unidad puede perder agua.
- Escoja un lugar nivelado que pueda soportar el peso y la vibración de la unidad.
- No instale la unidad en lugares donde la pueda cubrir la nieve. En zonas propensas a las nevadas intensas, se deben tomar medidas de precaución, como por ejemplo, situar la unidad elevada o instalar una protección en la entrada de aire para evitar que la nieve la obstruya o fluya directamente contra ésta. Esto reduce la corriente de aire e impide que la unidad funcione correctamente.
- No instale la unidad en lugares expuestos a aceite, vapor o humo sulfúrico.
- Utilice las asas de transporte de la unidad exterior para transportarla. Si transporta la unidad tomándola por la parte inferior se podría lesionar las manos o los dedos.

2.3. Dimensiones exteriores (Unidad exterior) (Fig. 2-2)

2.4. Ventilación y espacio de servicio

2.4.1. Instalación en lugares expuestos al viento

Cuando instale una unidad en el tejado o en otros lugares desprotegidos del viento, la salida de aire de la unidad no debe quedar expuesta directamente al viento fuerte. Si el viento fuerte entra en la salida de aire puede impedir la circulación normal del aire y causar un mal funcionamiento.

A continuación se muestran tres ejemplos de precauciones a tomar contra el viento fuerte.

- ① Coloque la salida de aire de frente a la pared más próxima a una distancia de unos 50 cm de ella. (Fig. 2-3)
- ② Si la unidad está situada en un lugar expuesto a vientos fuertes como huracanes, etc. que puedan entrar en la salida de aire, coloque una guía opcional de aire. (Fig. 2-4)
 - Ⓐ Guía de protección del aire
- ③ Coloque la unidad de manera que la salida de aire sople en dirección perpendicular a la dirección estacional del viento, si la conoce. (Fig. 2-5)
 - Ⓑ Dirección del viento

2.4.2. Cuando se instala una unidad exterior simple (Consulte la página anterior)

Las dimensiones mínimas son las siguientes, excepto para máx. (dimensiones máximas), las cuales también están indicadas.

Consulte los números correspondientes para cada caso.

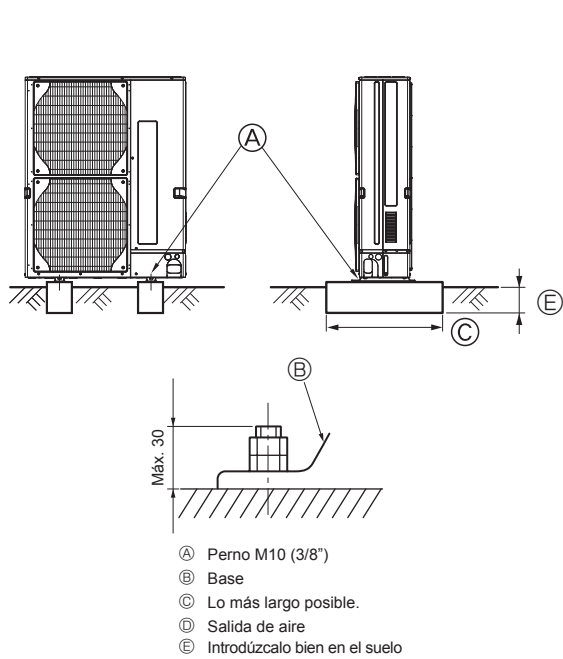
- ① Obstáculos sólo en la parte trasera (Fig. 2-6)
- ② Obstáculos sólo en la parte trasera y superior (Fig. 2-7)
- ③ Obstáculos sólo en la parte trasera y los laterales (Fig. 2-8)
- ④ Obstáculos sólo en la parte delantera (Fig. 2-9)
 - * Si utiliza las guías para salida de aire opcional, el espacio libre deberá ser de 500 mm o más.
- ⑤ Obstáculos sólo en la parte delantera y trasera (Fig. 2-10)
 - * Si utiliza las guías para salida de aire opcional, el espacio libre deberá ser de 500 mm o más.
- ⑥ Obstáculos sólo en la parte trasera, los laterales y superior (Fig. 2-11)
 - * No utilice las guías para salida de aire opcionales para corriente de aire hacia arriba.

2.4.3. Cuando instale varias unidades exteriores (Consulte la página anterior)

Deje un espacio de 10 mm o más entre las unidades.

- ① Obstáculos sólo en la parte trasera (Fig. 2-12)
- ② Obstáculos sólo en la parte trasera y superior (Fig. 2-13)
 - * No se deben instalar más de tres unidades correlativas. Además, se debe dejar el espacio indicado.
 - * No utilice las guías para salida de aire opcionales para corriente de aire hacia arriba.
- ③ Obstáculos sólo en la parte delantera (Fig. 2-14)
 - * Si utiliza las guías para salida de aire opcional, el espacio libre deberá ser de 1000 mm o más.
- ④ Obstáculos sólo en la parte delantera y trasera (Fig. 2-15)
 - * Si utiliza las guías para salida de aire opcional, el espacio libre deberá ser de 1000 mm o más.
- ⑤ Disposición en paralelo de unidades simples (Fig. 2-16)
 - * Si utiliza las guías para salida de aire opcional instalada para que el aire salga hacia arriba, el espacio libre debe ser de 1000 mm o más.
- ⑥ Disposición en paralelo de varias unidades (Fig. 2-17)
 - * Si utiliza las guías para salida de aire opcional instalada para que el aire salga hacia arriba, el espacio libre debe ser de 1500 mm o más.
- ⑦ Disposición de unidad apilada (Fig. 2-18)
 - * Se pueden apilar hasta dos unidades de altura.
 - * No se deben instalar más de dos unidades correlativas. Además, se debe dejar el espacio indicado.

3. Instalación de la unidad exterior



- Cerciórese de instalar la unidad en una superficie robusta y nivelada para evitar los ruidos de traqueteo durante la operación. (Fig. 3-1)

<Especificaciones de la cimentación>

Perno de cimentación	M10 (3/8")
Grosor del hormigón	120 mm
Longitud del perno	70 mm
Capacidad de soporte de peso	320 kg

- Cerciórese de que la longitud del perno de cimentación esté dentro de 30 mm de la superficie inferior de la base.
- Asegure firmemente la base de la unidad con cuatro pernos de cimentación M10 en lugares robustos.

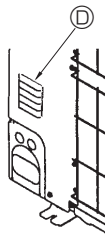
Instalación de la unidad exterior

- No obstruya la salida de aire. Si se obstruye la salida de aire, se puede dificultar el funcionamiento del aparato y puede causar una avería.
- Además de la base de la unidad, utilice los orificios de instalación situados en la parte trasera de la unidad para añadirle cables u otros elementos necesarios para instalar la unidad. Utilice tirafondos (ø5 × 15 mm o menos) para instalar el equipo.

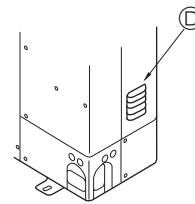
⚠ Atención:

- La unidad debe instalarse firmemente sobre una estructura capaz de soportar su peso. Si la unidad se instala sobre una estructura inestable, podría caerse y provocar daños o lesiones.
- La unidad debe instalarse según las instrucciones para reducir posibles daños en caso de terremoto, huracán o vientos fuertes. Si no se instala correctamente, la unidad podría caerse y provocar daños o lesiones.

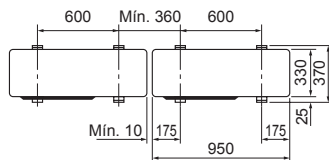
■ SHW80, 112, 140



■ SHW230



■ SHW80, 112, 140



■ SHW230

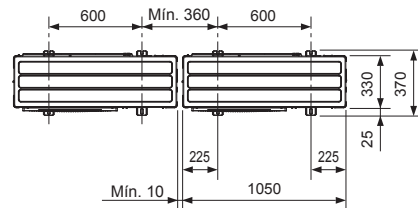


Fig. 3-1

4. Instalación de los tubos del refrigerante

4.1. Precauciones a tomar en equipos que utilicen el refrigerante R410A

- Consulte la sección 1.5. para conocer otras precauciones que se deben seguir para las unidades exteriores que utilicen el refrigerante R410A.
 - Utilice aceite de éster, de éter o alquilbenceno (en pequeñas cantidades) para recubrir las secciones abocardadas.
 - Utilice tubos de cobre fosforoso del tipo C1220 y tubos de aleación de cobre sin costuras para conectar los tubos del refrigerante. Utilice tuberías para refrigerante del grosor especificado en la tabla siguiente. Asegúrese de que el interior de las tuberías está limpio y que no contienen ningún contaminante nocivo como compuestos sulfúricos, oxidantes, restos o polvo.
- Al soldar los tubos, realice siempre una soldadura no oxidante; de lo contrario, el compresor sufrirá daños.

⚠ Atención:

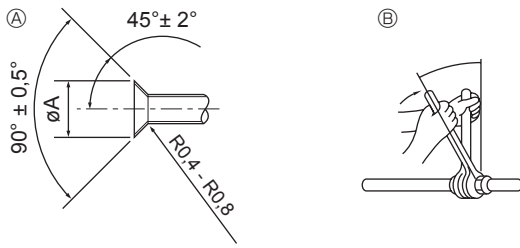
Cuando instale o cambie de sitio la unidad exterior, o al realizar tareas de mantenimiento, utilice únicamente el refrigerante indicado (R410A) para cargar los tubos del refrigerante. No lo mezcle con otro tipo de refrigerante y vacíe completamente de aire los tubos.

Si el aire se mezcla con el refrigerante, podría producir una tensión anormalmente alta en el tubo del refrigerante y ocasionar una explosión u otros peligros. Usar un refrigerante distinto al indicado para el sistema provocará un fallo mecánico, un funcionamiento defectuoso del sistema o la avería de la unidad. En el peor de los casos, podría suponer un grave impedimento para garantizar la seguridad del producto.

Tamaño de la tubería (mm)	ø6,35	ø9,52	ø12,7	ø15,88	ø19,05	ø22,2	ø25,4	ø28,58
Grosor (mm)	0,8	0,8	0,8	1,0	1,0	1,0	1,0	1,0

- No utilice tubos con un grosor menor del especificado a continuación.
- Utilice tubos en forma de H o media H si el diámetro es de 19,05 mm o mayor.

4. Instalación de los tubos del refrigerante



Ⓐ Dimensiones del corte abocinado
Ⓑ Torsión de apriete de la tuerca abocardada

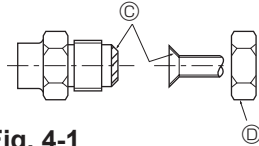


Fig. 4-1

Ⓐ (Fig. 4-1)

Tubo de cobre O.D. (mm)	Dimensiones de abocinado dimensiones ϕA (mm)
$\phi 6,35$	8,7 - 9,1
$\phi 9,52$	12,8 - 13,2
$\phi 12,7$	16,2 - 16,6
$\phi 15,88$	19,3 - 19,7
$\phi 19,05$	23,6 - 24,0

Ⓑ (Fig. 4-1)

Tubo de cobre O.D. (mm)	Tuerca de abocardado O.D. (mm)	Torsión de apriete (N·m)
$\phi 6,35$	17	14 - 18
$\phi 6,35$	22	34 - 42
$\phi 9,52$	22	34 - 42
$\phi 12,7$	26	49 - 61
$\phi 12,7$	29	68 - 82
$\phi 15,88$	29	68 - 82
$\phi 15,88$	36	100 - 120
$\phi 19,05$	36	100 - 120

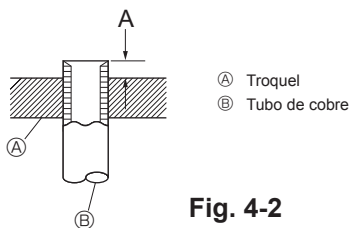


Fig. 4-2

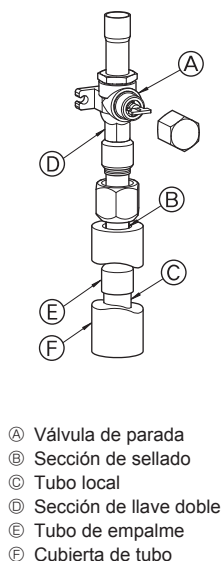


Fig. 4-3

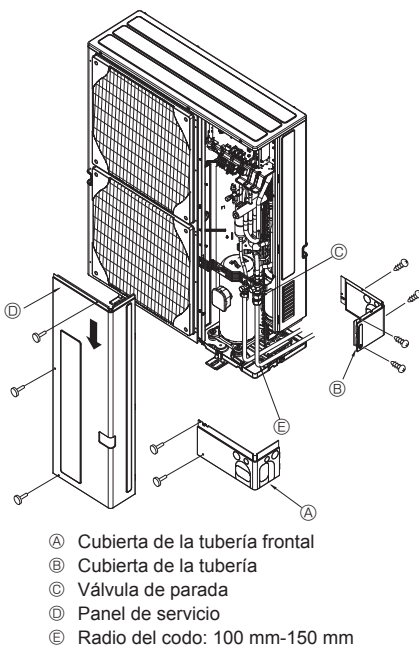


Fig. 4-4

4.2. Tubos de conexión (Fig. 4-1)

- Si se utilizan tubos de cobre convencionales, envuelva los tubos de gas y líquido con materiales aislantes (resistente al calor hasta 100°C o más, espesor de 12 mm o más).
- Asegúrese de poner aislamiento térmico por separado en las tuberías del gas y del líquido refrigerante.
- Las piezas interiores del tubo de drenaje tienen que estar envueltas en materiales aislantes de espuma de polietileno (gravedad específica de 0,03 y espesor de 9 mm o más).
- Aplique una capa delgada de aceite refrigerante a la superficie tubo y de la junta de asiento antes de apretar la tuerca de abocardado. Ⓐ
- Utilice 2 llaves de apriete para apretar las conexiones de los tubos. Ⓑ
- Utilice un detector de fugas o agua jabonosa para comprobar posibles fugas de gas una vez realizadas las conexiones.
- Aplique aceite refrigerante para máquinas en toda la superficie abocinada. Ⓒ
- Utilice las tuercas abocardadas para el siguiente tamaño de tubería. Ⓓ

		SHW80, 112, 140	SHW230
Lado de gas	Tamaño de la tubería (mm)	$\phi 15,88$	$\phi 25,4$
Lado de líquido	Tamaño de la tubería (mm)	$\phi 9,52$	$\phi 12,7$

- Cuando doble los tubos, tenga cuidado de no romperlos. Un radio de curvatura de 100 mm a 150 mm es suficiente.
- Asegúrese de que las tuberías no tocan el compresor. Podría producir ruidos o vibraciones extrañas.
- ① Las tuberías se deben conectar empezando por la unidad interior. Las tuercas abocardadas se deben apretar con una llave dinamométrica.
- ② Caliente el tubo de líquido y el tubo de gas y aplique una fina capa de aceite de refrigeración (aplicado directamente).
- Cuando utilice un sellador de tubos normal, consulte la Tabla 1 para abocardar tuberías para refrigerante R410A. Para confirmar las medidas de A se puede utilizar el ajustador del tamaño.

Tabla 1 (Fig. 4-2)

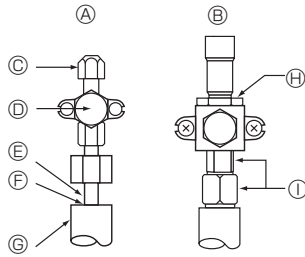
Tubo de cobre O.D. (mm)	A (mm)	
	Herramienta abocinada para R410A	Herramienta abocinada para R22·R407C
	Tipo gancho	
$\phi 6,35$ (1/4")	0 - 0,5	1,0 - 1,5
$\phi 9,52$ (3/8")	0 - 0,5	1,0 - 1,5
$\phi 12,7$ (1/2")	0 - 0,5	1,0 - 1,5
$\phi 15,88$ (5/8")	0 - 0,5	1,0 - 1,5
$\phi 19,05$ (3/4")	0 - 0,5	1,0 - 1,5

- ③ Utilice el siguiente procedimientos para conectar el tubo del lado de gas. (Fig. 4-3) (SHW230)
- 1 Suelde el tubo de empalme Ⓔ suministrado a la unidad exterior utilizando materiales de soldadura adquiridos localmente y el tubo local Ⓒ sin oxígeno.
- 2 Conecte el tubo de empalme Ⓔ a la válvula de parada del lado de gas. Utilice dos llaves para apretar la tuerca abocardada.
* Si el orden se invierte, podrían producirse escapes de refrigerante por daños en la pieza provocados por la llama de soldadura.

4.3. Tubos de refrigerante (Fig. 4-4)

- Quite el panel de servicio Ⓓ (3 tornillos) y la cubierta de la tubería frontal Ⓐ (2 tornillos) y cubierta de la tubería posterior Ⓑ (2 tornillos: SHW80 - 140) (4 tornillos: SHW230).
- ① Realice las conexiones de los tubos de refrigerante de la unidad interior/exterior con la válvula de parada de la unidad exterior completamente cerrada.
- ② Purgue el aire del sistema por succión en la unidad interior y tubos de conexión.
- ③ Tras conectar las tuberías de refrigerante con la unidad interior, compruebe que no haya fugas de gas. (Consulte apartado 4.4. Prueba de fuga de gas del tubo de refrigerante.)
- ④ En el puerto de servicio de la válvula de parada se utiliza una bomba de vacío de alto rendimiento que permite mantener el vacío durante un tiempo adecuado (al menos una hora tras alcanzar -101 kPa (5 milímetros de mercurio)) para secar por vacío el interior de las tuberías. Siempre compruebe el grado de vacío en el manómetro. Si queda humedad en la tubería, en ciertos casos no se alcanzará el nivel de vacío aplicando vacío durante poco tiempo. Tras el secado por vacío, abra completamente las válvulas de parada (tanto las de líquido como las de gas) de la unidad exterior. Esta operación le permitirá conectar completamente las líneas refrigerantes de las unidades interiores y exteriores.
- Si el secado por vacío es inadecuado, podría quedar aire y vapor de agua en los circuitos de refrigeración, lo que provocaría un aumento anómalo de la alta presión, una caída anómala de la baja presión, el deterioro del aceite de la máquina refrigerante debido a la humedad, etc.
- Si deja cerradas las válvulas de parada y pone en marcha la unidad, el compresor y la válvula de control sufrirán daños.
- Utilice un detector de fugas o jabón y agua para detectar las fugas de gas en las juntas de las conexiones de los tubos de la unidad exterior.
- No utilice el refrigerante desde la unidad para purgar el aire de las líneas de refrigerante.
- Tras haber realizado los trabajos en las válvulas, ajuste las tuercas de las válvulas a la presión adecuada: 20 a 25 N·m (200 a 250 kgf·cm). Si no sustituye o aprieta bien las tuercas puede provocar una fuga de refrigerante. Además, evite dañar el interior de las válvulas ya que funcionan como selladoras para evitar fugas de refrigerante.
- ⑤ Utilice un sellador para proteger las conexiones de los tubos y los extremos del material aislante no se impregnen de agua.

4. Instalación de los tubos del refrigerante



- A Válvula de retención <Lado de líquido>
- B Válvula de retención <Lado de gas>
- C Puerto de servicio
- D Sección Abierto/Cerrado
- E Tubo local
- F Sellado, igual para lado de gas
- G Cubierta del tubo
- H No utilice una llave aquí. Podría producirse una pérdida de refrigerante.
- I Utilice 2 llaves aquí.

Fig. 4-5

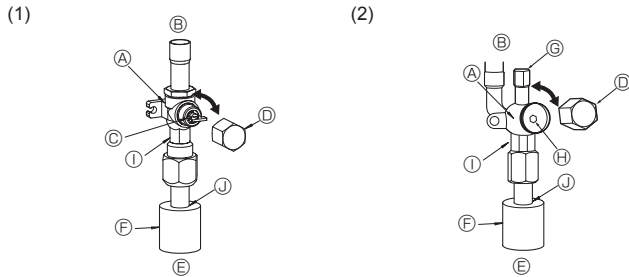


Fig. 4-6

Fig. 4-7

- A Válvula
- B Lado de la unidad
- C Manivela
- D Tapa
- E Lado del tubo local
- F Cubierta del tubo
- G Puerto de servicio
- H Orificio de llave
- I Sección de llave doble (No utilice una llave en ninguna otra sección. De hacerlo podría provocar fugas de refrigerante.)
- J Sección de sellado (Selle el extremo del material termoaislante en la sección de conexión del tubo con cualquier material sellante disponible, de modo que el agua no se filtre a través del material termoaislante.)

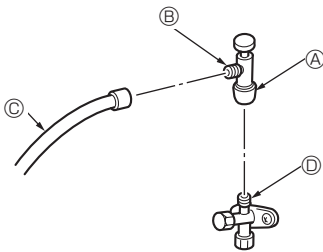


Fig. 4-8

- * La figura de la izquierda no es más que un ejemplo. La forma de la válvula de parada, la posición del puerto de servicio, etc. pueden variar en función del modelo.
- * Gire únicamente la sección A. (No siga apretando las secciones A y B juntas.)
- C Manguera de carga
- D Puerto de servicio

4.4. Prueba de fuga de gas del tubo de refrigerante (Fig. 4-5)

- (1) Conecte las herramientas para pruebas.
 - Asegúrese de que las válvulas de parada A B están cerradas y no las abra.
 - Añada presión a las líneas de refrigerante a través del punto C para reparaciones de válvula de parada de líquido A.
- (2) No añada presión al nivel especificado de golpe; hágalo poco a poco.
 - ① Presurice a 0,5 MPa (5 kgf/cm²G), espere cinco minutos y compruebe que la presión no se ha reducido.
 - ② Presurice a 1,5 MPa (15 kgf/cm²G), espere cinco minutos y compruebe que la presión no se ha reducido.
 - ③ Presurice a 4,15 MPa (41,5 kgf/cm²G) y tome la temperatura ambiental y la presión del refrigerante.
- (3) Si la presión especificada se mantiene estable durante un día y no se reduce, las tuberías han pasado la prueba y no existe riesgo de fugas.
 - Si la temperatura ambiental cambia 1 °C, la presión variará unos 0,01 MPa (0,1 kgf/cm²G). Haga las correcciones necesarias.
- (4) Si la presión se reduce en los pasos (2) o (3), hay una fuga de gas. Busque el punto de fuga del gas.

4.5. Método de apertura de la válvula de retención

El método de apertura de la válvula de retención varía según el modelo de unidad exterior. Utilice el método adecuado para abrir las válvulas de retención.

- (1) Lado del gas (Fig. 4-6)
 - ① Quite la tapa, tire de la manivela hacia usted y gire 1/4 de vuelta hacia la izquierda para abrir.
 - ② Cerciórese de que la válvula de parada esté completamente abierta, empuje la manivela y enrosque la tapa en su posición original.
- (2) Lado de líquido (Fig. 4-7)
 - ① Abra la tapa y gire la varilla de válvula hacia la izquierda hasta su tope, utilizando una llave hexagonal de 4 mm. Deje de girar cuando llega al tope. (ø9,52: Aproximadamente 10 revoluciones)
 - ② Cerciórese de que la válvula de parada esté completamente abierta, empuje la manivela y enrosque la tapa en su posición original.

Las tuberías de refrigerante están envueltas con una protección

- Los tubos se pueden envolver para su protección hasta un diámetro de ø90 antes de conectar los tubos. Corte la tapa del tubo siguiendo la guía y envuelva los tubos.

Hueco de entrada de la tubería

- Utilice masilla de minio o un sellador para sellar el extremo del tubo alrededor del tubo para que no queden espacios vacíos. (Si no se tapan los vacíos, se puede producir ruido o puede entrar agua o polvo y la unidad se podría averiar).

Precauciones al utilizar la válvula de carga (Fig. 4-8)

No apriete demasiado el puerto de servicio cuando lo instale, de lo contrario, el núcleo de la válvula podría deformarse y quedar suelto, provocando fugas de gas. Tras situar la sección B en la dirección deseada, gire únicamente la sección A y apriéte-la.

No siga apretando las secciones A y B juntas tras apretar la sección A.

⚠ Atención:

Al instalar la unidad, conecte firmemente las tuberías de refrigerante antes de poner en marcha el compresor.

4.6. Añadido de refrigerante

- Para esta unidad no hace falta una carga adicional si el tubo no tiene más de 30 m.
- Si el tubo tiene más de 30 m, cargue la unidad con refrigerante R410A adicional según las longitudes del tubo permitidas en la siguiente tabla.

* Con la unidad parada, cárguela con el refrigerante adicional a través de la válvula de parada de líquido después de haber aspirado los tubos y la unidad interior. Si la unidad está en marcha, añada refrigerante a la válvula de retención de gas con un cargador seguro. No añada refrigerante líquido directamente a la válvula de retención.

* Después de haber cargado la unidad con refrigerante, apunte la cantidad de refrigerante añadida en la etiqueta de mantenimiento (adjunta a la unidad). Para más información, consulte la sección "1.5. Utilizar el refrigerante R410A en la unidad exterior".

- Tenga cuidado cuando instale varias unidades. Si conecta los tubos a una unidad interior incorrecta puede provocar una presión elevada anormal y ocasionar graves problemas al funcionamiento.

Modelo	Distancia de tubo permitida	Diferencia vertical permitida	Cantidad de refrigerante para la carga inicial	Cantidad de carga de refrigerante adicional			
				31 - 40 m	41 - 50 m	51 - 60 m	61 - 75 m
SHW80, 112, 140	2 m - 75 m	Máx. 30 m	5,5 kg	0,6 kg	1,2 kg	1,8 kg	2,4 kg

Modelo	Distancia de tubo permitida	Diferencia vertical permitida	Cantidad de refrigerante para la carga inicial	Método de funcionamiento	Tamaño del tubo de líquido	Cantidad de carga de refrigerante adicional					
						21 - 30 m	31 - 40 m	41 - 50 m	51 - 60 m	61 - 70 m	71 - 80 m
SHW230	2 m - 80 m*1	Máx. 30 m	7,1 kg	ATA / AHU	ø 12,7	-	1,4 kg	2,8 kg	4,2 kg	5,6 kg	7,0 kg
						ø 9,52	-	-	0,8 kg	1,7 kg	2,6 kg
					ø 12,7	1,4 kg	2,8 kg	4,2 kg	5,6 kg	7,0 kg	8,4 kg
						ø 9,52	-	0,8 kg	1,7 kg	2,6 kg	3,5 kg

*1. Ponga el cuadro de control SW8-2 en ON cuando la distancia de tubo sea de 10 m o menos (SHW230YKA2R2 o posteriores).

4. Instalación de los tubos del refrigerante

<Límites de la instalación de tubos de refrigeración>

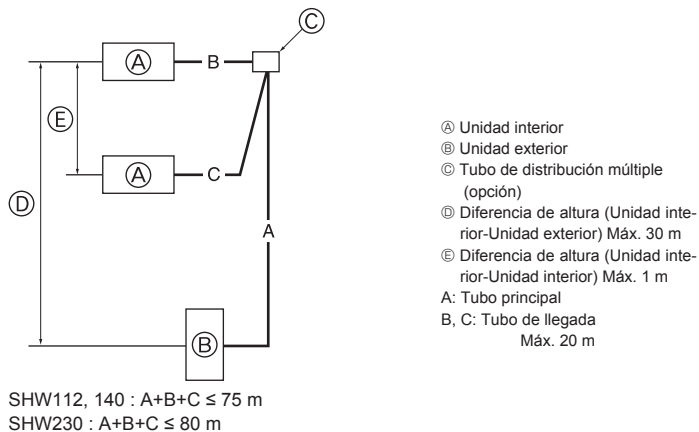


Fig. 4-9

4.7. Para combinación doble/triple/cuádruple (Fig. 4-9) (solo para aires acondicionados)

- Cuando esta unidad se utiliza como un sistema INDEPENDIENTE DE COMPONENTES MÚLTIPLES, instale los tubos de refrigeración con las restricciones que se indican en el diagrama de la izquierda. Además, si se sobrepasan dichas restricciones, o si se va a instalar una combinación de unidades internas y externas, consulte las instrucciones de instalación de la unidad interna para obtener más detalles.

Unidad exterior	Longitud total de tubos permisible A+B+C	Longitud total sin carga A+B+C
SHW112, 140	75 m o menos	30 m o menos
SHW230	80 m o menos	30 m o menos
Unidad exterior	B-C	Nº de codos
SHW112, 140, 230	8 m o menos	Dentro de 15

5. Tubería de drenaje

Conexión de la tubería de drenaje con la unidad exterior

La serie PUHZ-SHW no puede conectarse a una tubería de drenaje, debido a las especificaciones para distritos fríos.

6. Trabajo de colocación de las tuberías de agua (solo para bomba de calor ACS)

Cantidad mínima de agua

En el circuito hidráulico se requiere la siguiente cantidad de agua.

Modelo	Cantidad mínima de agua (L)
SHW80	34
SHW112	48
SHW140	60
SHW230	99

Tome siempre medidas de protección contra la congelación, como por ejemplo aplicar un producto anticongelante, cuando utilice la unidad en modo de refrigeración con una temperatura ambiente baja (por debajo de los 0 °C).

7. Trabajo eléctrico

7.1. Unidad exterior (Fig. 7-1, Fig. 7-2)

- ① Extraiga el panel de servicio.
- ② Tienda los cables de acuerdo con la Fig. 7-1 y Fig. 7-2.

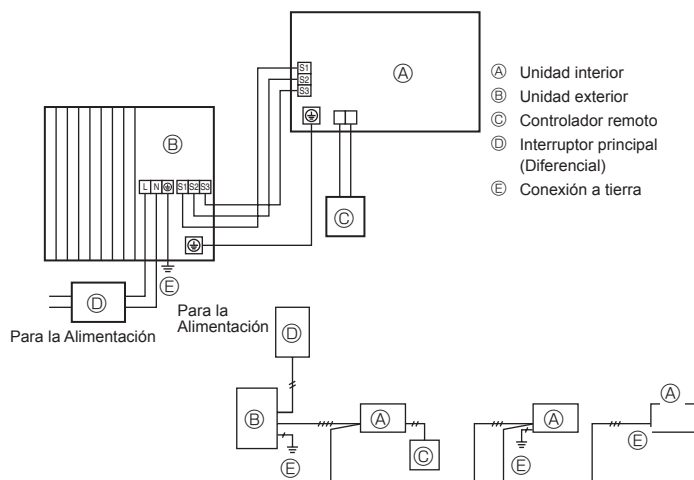
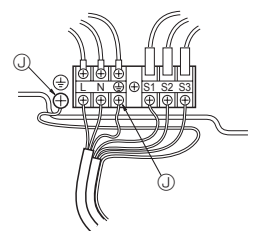


Fig. 7-1

■ SHW80, 112V



■ SHW112 - 230V

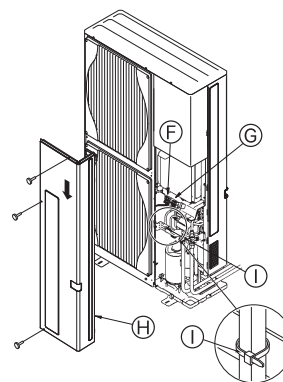
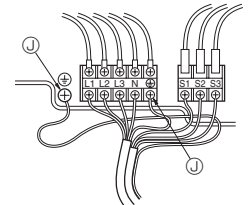


Fig. 7-2

- F Bloque de terminales
- G Bloque de terminales de la conexión interior/externa (S1, S2, S3)
- H Panel de servicio
- I Grapa
- J Tierra del terminal
- * Sujete los cables de forma que no entren en contacto con el centro del panel de servicio o la válvula de gas.

Nota:

Si durante el servicio ha tenido que quitar la tapa protectora de la caja eléctrica, debe volver a colocarla.

⚠ Cuidado:

Asegúrese de instalar la línea-N. Sin la línea-N la unidad podría resultar dañada.

Nota: Solo para bomba de calor ACS
Cuando múltiples unidades interiores (cajas Hydro) estén conectadas a la unidad exterior, conecte la tarjeta de circuito impreso de cualquier unidad interior y la unidad exterior (S1, S2, S3).

Es imposible conectar las tarjetas de circuito impreso de múltiples unidades interiores a la unidad exterior.

7. Trabajo eléctrico

7.2. Conexión eléctrica de campo

Modelo de la unidad exterior		SHW80V	SHW112V	SHW112, 140Y	SHW230Y
Unidad exterior alimentación		~N (Monofase), 50 Hz, 230 V	~N (Monofase), 50 Hz, 230 V	3N~ (4 cables 3 fases), 50 Hz, 400 V	3N~ (4 cables 3 fases), 50 Hz, 400 V
Capacidad de entrada de la unidad exterior		32 A	40 A	16 A	25 A
Interruptor principal (Diferencial)	*1				
Cableado Cable n° x tamaño (mm²)	Unidad exterior alimentación	3 x Mín. 4	3 x Mín. 6	5 x Mín. 1,5	5 x Mín. 4
	Unidad interior-unidad exterior	*2 3 x 1,5 (Polar)	3 x 1,5 (Polar)	3 x 1,5 (Polar)	Longitud del cable 50 m: 3 x 4 (Polar) Longitud del cable 80 m: 3 x 6 (Polar)
	Cable a tierra de la unidad interior y de la unidad exterior	*2 1 x Mín. 1,5	1 x Mín. 1,5	1 x Mín. 1,5	1 x Mín. 2,5
	Control remoto - unidad interior	*3 2 x 0,3 (No-polar)	2 x 0,3 (No-polar)	2 x 0,3 (No-polar)	2 x 0,3 (No-polar)
Rango del circuito	Unidad exterior L-N (Monofase)	*4 230 VCA	230 VCA	230 VCA	230 VCA
	Unidad exterior L1-N, L2-N, L3-N (3 fases)	*4 230 VCA	230 VCA	230 VCA	230 VCA
	Unidad interior-unidad exterior S1-S2	*4 24 VCC	24 VCC	24 VCC	24 VCC
	Unidad interior-unidad exterior S2-S3	*4 12 VCC	12 VCC	12 VCC	12 VCC

*1. Utilice un disyuntor automático de fugas a tierra (NV) con una separación mínima de contacto de 3,0 mm en cada uno de los polos. Asegúrese de que el disyuntor de corriente es compatible con corrientes armónicas más altas. Utilice siempre un disyuntor de corriente compatible con corrientes armónicas más altas ya que esta unidad está equipada con un conmutador. El uso de un disyuntor inadecuado puede hacer que el conmutador no funcione correctamente.

*2. (SHW80 - 140)

Máx. 45 m

Si se utiliza cable de 2,5 mm², máx. 50 m

Si se utiliza cable de 2,5 mm² y S3 por separado, máx. 80 m

(SHW230)

Máx. 80 m El Máx. Total incluyendo todo el cableado de conexión de las unidades interiores/ interiores es de 80 m.

* Utilice un cable para S1 y S2 y otro para S3 tal y como muestra la ilustración.

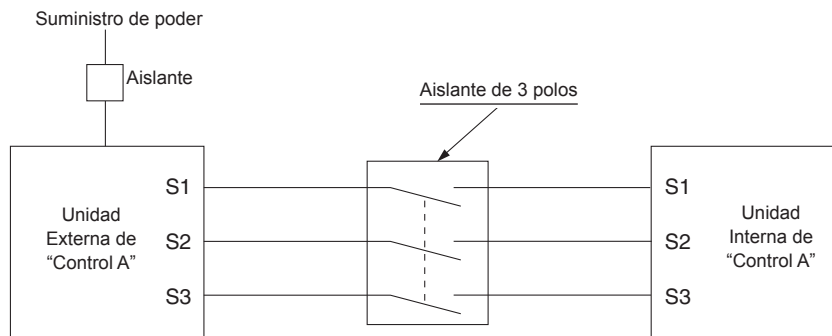
*3. Se coloca un cable de 10 m al accesorio del controlador remoto.

*4. Los valores NO siempre se aplican a la toma a tierra.

El terminal S3 dispone de 24 VCC frente al terminal S2. Entre S3 y S1, estos terminales NO están aislados eléctricamente por el transformador u otro dispositivo.



- Notas:**
1. El diámetro de los cables debe cumplir la normativa local y nacional.
 2. Los cables de alimentación y los que conectan la unidad interior y la exterior deben tener una resistencia mínima equiparable a los cables flexibles revestidos de policloropreno. (Diseño 60245 IEC 57)
 3. Utilice un cable a tierra más largo que los demás cables de modo que no pueda desconectarse cuando se ejerza tensión.



⚠ Atención:

- Si hay un cableado de control A habrá un alto voltaje potencial en el terminal S3 causado por un diseño de circuito eléctrico que no incluye aislamiento entre la línea de alimentación y la línea de señal de comunicación. Por ello es necesario que desconecte la alimentación principal antes de reparar la unidad. No toque nunca los terminales S1, S2 y S3 mientras esté conectada la alimentación eléctrica. Si debe utilizar el aislante entre la unidad interior y la unidad exterior, utilice el tipo de aislante de 3 polos.
- A -20°C, son necesarias al menos 12 horas de reposo antes de entrar en funcionamiento para que se calienten los componentes eléctricos.

No empalme nunca el cable de corriente o el cable de la conexión interior-exterior, de lo contrario se podrían provocar humo, un incendio o un fallo en la comunicación.

CABLE DE CONEXIÓN DE LAS UNIDADES INTERIORES/EXTERIORES (SHW230)

Corte transversal del cable	Tamaño del cable (mm²)	Número de cables	Polaridad	L (m)*6
Redondo	2,5	3	Hacia la derecha : S1-S2-S3 * Preste atención a la banda amarilla y verde	(30) *2
Plano	2,5	3	No se aplica (Porque el cable central no tiene revestimiento)	No se aplica *5
Plano	1,5	4	De izquierda a derecha : S1-Abierto-S2-S3	(18) *3
Redondo	2,5	4	Hacia la derecha : S1-S2-S3- Abierto * Conecte S1 y S3 en el ángulo opuesto	(30) *4

*1 : Los cables de alimentación de los aparatos no deben ser más livianos que los cables de diseño 60245 IEC o 227 IEC.

*2 : En caso de que se disponga de cable con banda amarilla y verde.

*3 : En caso de conexión con polaridad regular (S1-S2-S3), el tamaño de cable es de 1,5 mm².

*4 : En caso de conexión con polaridad regular (S1-S2-S3).

*5 : En caso de que los cables planos estén conectados según esta imagen, puede utilizarse hasta 30 m.

*6 : La longitud de cable indicada sólo tiene un valor de referencia.

Puede ser diferente dependiendo de las condiciones de instalación, humedad o materiales, etc.



Asegúrese de conectar directamente los cables de conexión interior- exterior a las unidades (no hay conexiones intermedias).

Las conexiones intermedias pueden dar lugar a errores de comunicación si entra agua en los cables y ocasionar que el aislamiento a tierra sea insuficiente o que el contacto eléctrico sea deficiente en el punto de conexión intermedio.

8. Prueba de funcionamiento (solo para aires acondicionados)

8.1. Antes de realizar las pruebas

- ▶ Después de la instalación de tubos y cables en las unidades interior y exterior, compruebe que no haya escapes de refrigerante, que no se haya aflojado ni la fuente de alimentación ni el cableado de control, que la polaridad no sea errónea y que no se haya desconectado ninguna fase de la alimentación.
- ▶ Utilice un megohmmetro de 500 V para comprobar que la resistencia entre los bornes de alimentación y la tierra es como mínimo de 1 MΩ.
- ▶ No efectúe esta prueba en los bornes de los cables de control (circuito de bajo voltaje).

⚠ Atención:

No utilice la unidad exterior si la resistencia de aislamiento es inferior a 1 MΩ.

Resistencia del aislamiento

Después de la instalación, o después de un prolongado período de desconexión del aparato, la resistencia del aislamiento será inferior a 1 MΩ debido a la acumulación de refrigerante en el compresor. Esto no es una avería. Siga los siguientes pasos:

1. Retire los cables del compresor y mida la resistencia del aislamiento del compresor.
2. Si la resistencia del aislamiento es menor de 1 MΩ, el compresor está dañado o la resistencia ha descendido por la acumulación de refrigerante en el compresor.
3. Después de conectar los cables al compresor, éste empezará a calentarse después de volver a restablecerse el suministro de corriente. Después de restablecer la corriente según los intervalos que se detallan a continuación, vuelva a medir la resistencia del aislamiento.

- La resistencia del aislamiento se reduce debido a la acumulación de refrigerante en el compresor. La resistencia volverá a subir por encima de 1 MΩ después de que el compresor haya funcionado durante 4 horas. (El tiempo requerido para calentar el compresor varía según las condiciones atmosféricas y la acumulación de refrigerante.)
 - Para hacer funcionar un compresor con refrigerante acumulado, se debe calentar durante al menos 12 horas para evitar que se averíe.
4. Si la resistencia del aislamiento es superior a 1 MΩ, el compresor no está averiado.

⚠ Precaución:

- El compresor no funcionará a menos que la conexión de fase de la fuente de alimentación sea correcta.
- Conecte la corriente al menos 12 horas antes de que empiece a funcionar el equipo.
- Si se acciona inmediatamente después de haberlo conectado a la corriente, pueden producirse daños graves en las piezas internas. Mantenga la unidad conectada a la corriente durante la temporada de funcionamiento.

▶ También debe comprobar lo siguiente.

- La unidad exterior no está averiada. Los indicadores LED1 y LED2 del cuadro de control parpadean cuando la unidad exterior está averiada.
- Tanto las válvulas de gas como las de líquido están completamente abiertas.
- La superficie del panel de los conmutadores Dip del cuadro de control de la unidad exterior está protegida por una tapa. Quite la tapa protectora para manejar los conmutadores Dip fácilmente.

8.2. Prueba de funcionamiento

8.2.1. Al usar SW4 en la unidad exterior

SW4-1	ON	Funcionamiento del enfriamiento
SW4-2	OFF	
SW4-1	ON	Funcionamiento del de la calefacción
SW4-2	ON	

- * Después de la realización de las pruebas, ponga SW4-1 en OFF.
- Después de conectar la corriente, se puede oír un pequeño "clic" del interior de la unidad exterior. La válvula electrónica de expansión se irá abriendo y cerrando. La unidad no está averiada.
- A los pocos segundos de funcionar el compresor, se puede oír un pequeño sonido metálico del interior de la unidad exterior. El sonido lo produce la válvula de retención por la pequeña diferencia de presión de las tuberías. La unidad no está averiada.

El modo de prueba de funcionamiento no se puede cambiar por el conmutador Dip SW4-2 durante la prueba. (Para cambiar el modo de prueba de funcionamiento durante la prueba, pare la prueba con el conmutador Dip SW4-1. Después de cambiar el modo de prueba de funcionamiento, reanude la prueba con el conmutador SW4-1.)

8.2.2. Uso del control remoto

Consulte el manual de instalación de la unidad interior.

Nota :

Puede que ocasionalmente, el vapor que se libera con la descongelación aparezca como si fuera humo saliendo de la unidad exterior.

9. Funciones especiales

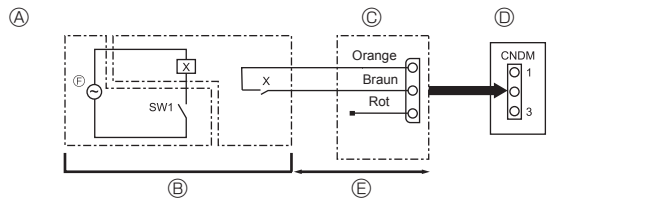


Fig. 9-1

- A Ejemplo de diagrama de circuito (modo de reducción del ruido)
 B Arreglo in situ
 C Adaptador de contacto externo (PAC-SC36NA-E)
 X: Relé
 D Cuadro de control de la unidad exterior
 E Máx. 10 m
 F Fuente de alimentación del relé

9.1. Modo de reducción del ruido (modificación in situ) (Fig. 9-1)

Si lleva a cabo las siguientes modificaciones, puede reducir el ruido de la unidad exterior en 3 o 4 dB.

El modo de reducción del ruido se activará cuando añada un programador (disponible en los comercios) o si al conector CNDM (opcional) del cuadro de control de la unidad exterior se le añade una entrada por contacto de un interruptor de Endendido/Apagado.

- La disponibilidad varía según la temperatura exterior, las condiciones atmosféricas, etc.
- ① Complete el circuito como se muestra utilizando el adaptador de contacto externo (PAC-SC36NA-E). (Opcional)
- ② SW1 en posición ON: Modo de reducción del ruido
SW1 en posición OFF: Funcionamiento normal

Nota:

Quando los conmutadores Dip SW7-1 y SW9-1 del cuadro de control de la unidad exterior esté en ON, ajuste los conmutadores Dip SW7-1 y SW9-1 a OFF. (Este modo no puede utilizarse junto con la función de demanda).

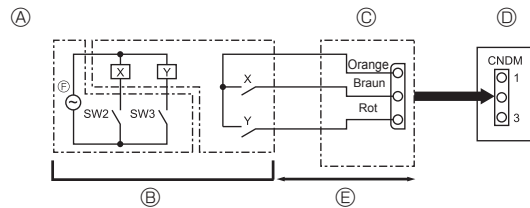


Fig. 9-2

- A Ejemplo de diagrama de circuito (Función de demanda)
 B Arreglo in situ
 C Adaptador de contacto externo (PAC-SC36NA-E)
 X, Y: Relé
 D Cuadro de control de la unidad exterior
 E Máx. 10 m
 F Fuente de alimentación del relé

9.2. Función de demanda (modificación in situ) (Fig. 9-2) (solo para aires acondicionados)

Si lleva a cabo la siguiente modificación, el consumo de energía se puede reducir a 0-100% del consumo normal.

La función de demanda se activará al agregar un temporizador comercial o la entrada de contacto de un interruptor ON/OFF al conector CNDM (opcional) del panel de control de la unidad exterior.

- ① Complete el circuito como se muestra utilizando el adaptador de contacto externo (PAC-SC36NA-E). (Opcional)
- ② Si se ajustan los interruptores SW7-1 del panel de control de la unidad exterior, el consumo de energía (en comparación con el consumo normal) podrá limitarse tal y como se muestra más abajo.

	SW7-1	SW2	SW3	Consumo de energía
Función de demanda	ON	OFF	OFF	100%
		ON	OFF	75%
		ON	ON	50%
		OFF	ON	0% (detenido)

9.3. Recuperación del refrigerante (vaciado)

Cuando traslade la unidad interior/externa o se deshaga de ella, bombee para vaciar el sistema siguiendo el procedimiento indicado a continuación para que el refrigerante no se escape a la atmósfera.

- ① Desconecte la fuente de alimentación (disyuntor).
- ② Conecte la válvula de baja presión del manómetro al conector de carga (lado de baja presión) de la unidad exterior.
- ③ Cierre por completo la válvula de parada de líquido.
- ④ Fuente de alimentación (disyuntor).
 - * Cuando haya restablecido la corriente, asegúrese de que en la pantalla del controlador remoto no aparece "CENTRALLY CONTROLLED". Si aparece "CENTRALLY CONTROLLED" no se puede recuperar el refrigerante (vaciado) de manera normal.
 - * La comunicación entre la unidad interior y exterior se inicia aproximadamente 3 minutos después de conectar la alimentación (disyuntor). Inicie la operación de vaciado entre 3 y 4 minutos después de que se haya conectado la alimentación (disyuntor).
- ⑤ Lleve a cabo la operación de recuperación del refrigerante (prueba de funcionamiento de la refrigeración).
 - * Pulse el interruptor SWP de vaciado (tipo pulsador) en el panel de control de la unidad exterior. El compresor y los ventiladores (unidades interior y exterior) se ponen en marcha (empieza la operación de recuperación del refrigerante). (El indicador LED1 y el indicador LED2 del panel de control de la unidad exterior están iluminados).
 - * Pulse el interruptor SWP de vaciado sólo si la unidad está parada. No obstante, aunque la unidad esté parada y el interruptor SWP de vaciado esté pulsado menos de 3 minutos después de que el compresor se haya parado, la operación de recuperación del refrigerante no se puede realizar. Espere a que el compresor haya estado parado durante 3 minutos y luego vuelva a pulsar el interruptor SWP de vaciado.
- ⑥ Cierre por completo la válvula esférica en el lado de la tubería de gas de la unidad exterior cuando el indicador de presión del manómetro indique de 0,05 a 0 MPa [Indicador] (aproximadamente de 0,5 a 0 kgf/cm²) y detenga rápidamente la unidad exterior.

- * Si vuelve a pulsar el interruptor SWP de vaciado, la unidad se para.
- * Dado que la unidad se para automáticamente en unos 3 minutos una vez completada la operación de recuperación del refrigerante (el indicador LED1 está apagado y el indicador LED2 iluminado), cierre siempre rápidamente la válvula esférica de gas. No obstante, si el indicador LED1 está iluminado, el indicador LED2 está apagado y la unidad está parada, abra por completo la válvula de parada de líquido, ciérrala por completo una vez transcurridos como mínimo 3 minutos, y luego repita el paso ⑤. (Abra por completo la válvula esférica de gas).
- * Si la operación de recuperación del refrigerante se ha completado con éxito (el indicador LED1 está apagado y el indicador LED2 encendido), la unidad continuará parada hasta que se corte la corriente.
- * Tenga en cuenta que cuando la tubería de extensión es muy larga y contiene una gran cantidad de refrigerante, es posible que no se pueda realizar una operación de bombeo. En ese caso, utilice un equipo de recuperación de refrigerante para recuperar todo el refrigerante del sistema.
- ⑦ Desconecte la fuente de alimentación (disyuntor), retire el manómetro y, a continuación, desconecte las tuberías de refrigerante.

⚠ Atención:

Al realizar el vaciado del refrigerante, detenga el compresor antes de desconectar las tuberías de refrigerante.

- Si las tuberías de refrigerante se desconectan estando el compresor en funcionamiento y la válvula de retención (válvula de bola) está abierta, la presión del ciclo de refrigeración podría aumentar excesivamente si entra aire y hacer que revienten las tuberías o provocar lesiones, etc.

9.4 Ajuste de la temperatura de la función "ZUBADAN flash injection"

La función "ZUBADAN flash injection" alcanza un alto rendimiento de calentamiento con temperaturas exteriores bajas.

- Los interruptores SW9-3 y SW9-4 del panel de control de la unidad exterior le permiten ajustar la temperatura disponible para la función "ZUBADAN flash injection" como se muestra en la tabla a continuación.

SW9-3	SW9-4	Temperatura exterior
OFF	OFF	3°C o menos (Ajuste por defecto)
OFF	ON	0°C o menos
ON	OFF	-3°C o menos
ON	ON	-6°C o menos

10. Sistema de control

10.1. Aires acondicionados

③ SW 1 - 3 a 6
 ON OFF
 3 4 5 6

④ SW 1 - 3 a 6
 ON OFF
 3 4 5 6

⑤ SW 1 - 3 a 6
 ON OFF
 3 4 5 6

① Unidad exterior
 ② Unidad interior
 ③ Control remoto principal
 ④ Control remoto secundario
 ⑤ Estándar 1:1 (Dirección de refrigerante = 00)
 ⑥ Doble simultáneo (Dirección de refrigerante = 01)
 ⑦ Triple simultáneo (Dirección de refrigerante = 02)

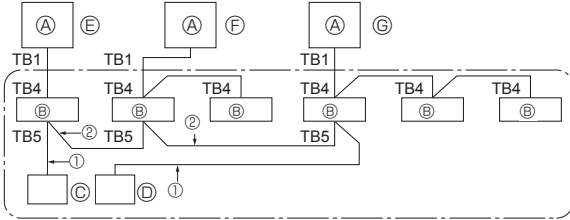


Fig. 10-1

* Ajuste la dirección de refrigerante utilizando el interruptor Dip de la unidad exterior.

① Cableado desde el control remoto

Este cable se conecta a TB5 (bloque de terminales del control remoto) de la unidad interior (sin polaridad).

② Cuando esté utilizando un agrupamiento de sistemas de refrigerante diferente Utilizando un control remoto fino MA podrán controlarse como un grupo hasta 16 sistemas de refrigerante.

Nota:

Si se utiliza un único sistema refrigerante (doble/triple) no es necesario llevar cable a ②.

SW1
Tabla de funciones
<SW1>



	Función	Funcionamiento según el ajuste del interruptor	
		Activado	Desactivado
SW1 Ajustes de función	1 Desescarchado obligatorio	Iniciar	Normal
	2 Borrado del registro histórico de errores	Borrar	Normal
	3 Ajuste de la dirección del sistema refrigerante	Ajustes de las direcciones 0 a 15 de la unidad exterior	
	4		
	5		
	6		

10.2. Bomba de calor ACS

Ajuste la dirección del refrigerante usando el interruptor Dip de la unidad exterior.

Configuración de función SW1

Configuración de SW1	Dirección de refrigerante	Configuración de SW1	Dirección de refrigerante
ON OFF 3 4 5 6 7	00	ON OFF 3 4 5 6 7	03
ON OFF 3 4 5 6 7	01	ON OFF 3 4 5 6 7	04
ON OFF 3 4 5 6 7	02	ON OFF 3 4 5 6 7	05

Nota:

a) Se pueden conectar hasta 6 unidades.

b) Seleccione un modelo único para todas las unidades.

c) Para la configuración del interruptor Dip para la unidad interior, consulte el manual de instalación de la unidad interior.

11. Especificaciones

Nivel sonoro (medido en una frecuencia tasada de funcionamiento.)

			SHW80VHA	SHW112Y/VHA	SHW140YHA	SHW230YKA2
SPL	Calefacción	dB(A)	51	52	52	59
	Refrigeración	dB(A)	50	51	51	58
PWL	Calefacción	dB(A)	69	70	70	75

Indice

1. Misure di sicurezza.....	57	7. Collegamenti elettrici.....	63
2. Luogo in cui installare.....	58	8. Prova di funzionamento (solo per condizionatori d'aria).....	65
3. Installazione della sezione esterna.....	60	9. Funzioni speciali.....	66
4. Installazione della tubazione del refrigerante.....	60	10. Controllo del sistema.....	67
5. Installazione della tubazione di drenaggio.....	63	11. Specifiche.....	67
6. Lavoro sulle tubazioni dell'acqua (solo per la pompa di calore aria - acqua).....	63		



Nota: Questo simbolo è destinato solo ai paesi dell'UE.

Questo simbolo è conforme alla direttiva 2012/19/EU, Articolo 14, Informazioni per gli utenti, e all'Allegato IX.

Questo prodotto MITSUBISHI ELECTRIC è stato fabbricato con materiali e componenti di alta qualità, che possono essere riciclati e riutilizzati. Questo simbolo significa che i prodotti elettrici ed elettronici devono essere smaltiti separatamente dai rifiuti casalinghi alla fine della loro vita di servizio. Per disfarsi di questo prodotto, portarlo al centro di raccolta/riciclaggio dei rifiuti solidi urbani locale. Nell'Unione Europea ci sono sistemi di raccolta differenziata per i prodotti elettrici ed elettronici usati. Aiutateci a conservare l'ambiente in cui viviamo!

⚠ Cautela:

- Non scaricare R410A nell'atmosfera:

1. Misure di sicurezza

- ▶ Leggere attentamente la sezione "Misure di sicurezza" prima di far funzionare l'unità.
- ▶ Prima di collegare l'equipaggiamento alla rete di alimentazione, contattare o chiedere l'autorizzazione dell'autorità competente.
- ▶ PUAH-SHW230YKA2
"Questa apparecchiatura è conforme alla norma IEC 61000-3-12, a condizione che la potenza di cortocircuito S_{sc} sia superiore o uguale alla $S_{sc}^{(*)1}$ al punto di interfaccia tra la sorgente di alimentazione dell'utente e la rete pubblica. Spetta all'installatore o all'utente dell'apparecchiatura assicurare, se necessario dopo aver consultato l'operatore della rete di distribuzione, che l'apparecchiatura stessa sia collegata esclusivamente ad una fonte di alimentazione con potenza di cortocircuito S_{sc} uguale o superiore a $S_{sc}^{(*)1}$ "

$S_{sc}^{(*)1}$

Modello	S_{sc} (MVA)
PUAH-SHW230YKA2	1,35

⚠ Avvertenza:

Descrive le precauzioni da prendere per evitare il rischio di lesioni, anche mortali, per l'utente.

⚠ Cautela:

Descrive le precauzioni da prendere per evitare il danneggiamento dell'unità.

Terminata l'installazione, spiegare le "Misure di sicurezza", l'uso e la manutenzione dell'unità al cliente conformemente alle informazioni riportate nel manuale d'uso ed eseguire il ciclo di prova per accertare che l'impianto funzioni normalmente. Consegnare il Manuale d'uso ed il Manuale di installazione al cliente, che li dovrà conservare e, in futuro, consegnarli ad eventuali nuovi utenti.

⚡ : Indica la necessità di collegare un componente a massa.

⚠ Avvertenza:

Leggere attentamente le etichette attaccate all'unità principale.

⚠ Avvertenza:

- L'unità non deve essere montata dall'utente. Richiedere ad un rivenditore o ad un tecnico autorizzato di provvedere all'installazione. Un montaggio scorretto dell'unità può essere causa di perdite di acqua, scosse elettriche o incendi.
- Per eseguire l'installazione, seguire quanto indicato nel Manuale d'installazione e utilizzare gli strumenti e i componenti dei tubi specificatamente previsti per il refrigerante R410A. Il R410A presente nel sistema a idrofluorocarburi è pressurizzato con una pressione pari a 1,6 volte quella dei refrigeranti tradizionali. L'utilizzo di componenti dei tubi non adatti al refrigerante di tipo R410A e un'installazione scorretta dell'unità possono causare lo scoppio dei tubi, provocando danni e lesioni. Inoltre, si possono verificare perdite di acqua, scosse elettriche o incendi.
- L'unità deve essere montata conformemente alle istruzioni, riducendo al minimo il rischio di possibili danni causati da terremoti, tifoni o forti raffiche di vento. Se installata in maniera scorretta, può cadere e provocare danni e lesioni.
- Installare l'unità in maniera sicura su una struttura in grado di sostenerne il peso. Se montata su una struttura instabile, l'unità potrebbe cadere e provocare danni e lesioni.
- Qualora l'unità esterna venga installata in un ambiente piccolo, è necessario prendere i dovuti accorgimenti per evitare che nella stanza, in caso di perdite di refrigerante, si formi una concentrazione di refrigerante superiore ai limiti di sicurezza. Per maggiori informazioni sulle misure adatte ad evitare il superamento dei limiti di concentrazione stabiliti, consultare un rivenditore. Eventuali perdite di refrigerante o il superamento dei limiti di concentrazione possono causare situazioni di pericolo imputabili alla mancanza di ossigeno nella stanza.
- In presenza di perdite di refrigerante durante il funzionamento, aereare la stanza. A contatto con una fiamma, il refrigerante può rilasciare gas tossici.
- Tutti gli interventi elettrici devono essere eseguiti da un tecnico qualificato, rispettando le normative locali e le istruzioni riportate nel presente manuale. Le unità devono essere alimentate da linee elettriche dedicate e con il voltaggio corretto; è inoltre necessario utilizzare appositi interruttori di circuito. Le linee elettriche con una capacità insufficiente o un'attività elettrica non idonee possono provocare scosse elettriche o incendi.
- Per tutti i tubi continui in rame e lega di rame, per collegare i tubi di refrigerazione, utilizzare rame fosforoso C1220. Nel caso di errato collegamento dei tubi, l'unità non sarà messa a terra correttamente, con un conseguente rischio di scossa elettrica.

- Utilizzare esclusivamente i cablaggi specificati. I collegamenti devono essere fatti in condizioni di sicurezza, senza tensione sui connettori. Inoltre, non giuntare mai i cablaggi (se non diversamente indicato nel presente documento). La mancata osservanza di queste istruzioni può essere causa di surriscaldamento o incendio.
- Il pannello di copertura della morsettiera dell'unità esterna deve essere fissato saldamente. Se il pannello di copertura non è montato correttamente e nell'unità penetrano polvere ed umidità, vi è il rischio di scosse elettriche o di incendio.
- Quando l'unità esterna viene installata o spostata, oppure sottoposta a manutenzione, per caricare i tubi del refrigerante utilizzare esclusivamente il refrigerante specificato (R410A). Non mescolarlo con nessun altro tipo di refrigerante e non consentire all'aria di restare all'interno dei tubi. Qualora dell'aria si mescoli con il refrigerante, potrebbe far innalzare in modo anomalo la pressione nel tubo del refrigerante, il che potrebbe provocare un'esplosione o altri pericoli. L'uso di refrigeranti diversi da quello specificato per il sistema provocherà guasti meccanici, malfunzionamenti del sistema o la rottura dell'unità. Nel peggiore dei casi, questo potrebbe impedire seriamente di garantire la messa in sicurezza del prodotto.
- Utilizzare soltanto gli accessori autorizzati dalla Mitsubishi Electric e richiedere a un rivenditore o a un tecnico autorizzato di provvedere all'installazione. Un montaggio non corretto degli accessori può causare perdite di acqua, scosse elettriche o incendi.
- Non modificare la struttura dell'unità. Per le riparazioni, consultare un rivenditore. Eventuali modifiche o riparazioni non eseguite correttamente possono provocare perdite di acqua, scosse elettriche o incendi.
- L'utente non dovrebbe mai tentare di riparare l'unità o spostarla in un'altra sede. Un montaggio scorretto dell'unità può essere causa di perdite di acqua, scosse elettriche o incendi. Per riparare o spostare l'unità esterna, rivolgersi al rivenditore o ad un tecnico specializzato.
- Terminata l'installazione, accertarsi che non vi siano perdite di refrigerante. Eventuali perdite di refrigerante nella stanza a contatto con una fiamma possono causare la formazione di gas tossici.

1.1. Prima dell'installazione

⚠ Cautela:

- Non utilizzare l'unità in un ambiente insolito. Se l'unità esterna viene installata in zone esposte a vapore, olio volatile (compreso l'olio per macchine) o gas solfureo, in zone a elevato contenuto salino, come le località marittime o in aree in cui rischia di venire ricoperta dalla neve, le sue prestazioni potrebbero risultare notevolmente ridotte ed i componenti interni potrebbero danneggiarsi.
- Non installare l'unità dove si possono verificare perdite, produzione, flusso o accumulo di gas. Nel caso di accumulo di gas attorno all'unità, si possono verificare incendi ed esplosioni.

- Durante la fase di riscaldamento, l'unità esterna produce condensa. Provvedere a un apposito sistema di scarico attorno all'unità esterna nel caso questa condensa possa provocare dei danni.
- Qualora l'unità venisse installata in un ospedale o in uffici aperti al pubblico, considerare che essa potrà essere fonte di rumorosità ed interferenze con le apparecchiature elettroniche. Inverter, elettrodomestici, attrezzature mediche ad alta frequenza ed apparecchiature di radiocomunicazione possono provocare problemi di funzionamento o guasti dell'unità esterna. L'unità esterna può inoltre influire sul funzionamento e sulle prestazioni di attrezzature mediche, nonché sul funzionamento di apparecchiature di comunicazione, pregiudicando la qualità di visualizzazione dello schermo.

1. Misure di sicurezza

1.2. Prima dell'installazione (spostamento)

⚠ Cautela:

- Durante il trasporto o l'installazione delle unità, prestare estrema attenzione. L'unità pesa oltre 20 kg, quindi per poterla maneggiare sono necessarie due o più persone. Non afferrare l'unità dai nastri di imballaggio. Per estrarre l'unità dalla confezione e per spostarla indossare appositi guanti protettivi, per scongiurare il ferimento dei palmi delle mani o di altre estremità del corpo.
- Smaltire in maniera sicura il materiale di imballaggio. Il materiale di imballaggio, tra cui i chiodi e altre parti in metallo o legno, possono causare ferite da punta o altri tipi di lesione.

- La base e gli elementi di fissaggio dell'unità esterna devono essere sottoposti a controlli periodici, accertando che non siano allentati, fessurati o danneggiati in altro modo. Se non si eliminano questi difetti, l'unità può cadere e causare danni e lesioni.
- Non pulire l'unità esterna con acqua. Rischio di scossa elettrica.
- Stringere tutti i dadi svasati utilizzando una chiave dinamometrica. Se stretto troppo, il dado svasato dopo un periodo prolungato si può rompere, causando una perdita di refrigerante.

1.3. Prima dell'esecuzione degli interventi elettrici

⚠ Cautela:

- Accertarsi di aver installato gli interruttori di circuito. In caso contrario, esiste il rischio di scossa elettrica.
- Per le linee di alimentazione utilizzare cavi standard di capacità sufficiente. In caso contrario, rischio di cortocircuito, surriscaldamento o incendio.
- Durante l'installazione delle linee di alimentazione, non mettere i cavi sotto tensione. In presenza di connessioni lente, i cavi possono fuoriuscire e rompersi, causando surriscaldamento o incendio.

- Mettere a terra l'unità. Non collegare il cavo di messa a terra alle linee del gas o dell'acqua, ai parafulmini o alle linee di messa a terra telefoniche. Se non messa a terra correttamente, l'unità può causare scosse elettriche.
- Usare interruttori di circuito (interruttore di guasti a terra, sezionatore (fusibile +B) e interruttore di circuito a corpo sagomato) con la capacità specificata. Una capacità dell'interruttore di circuito superiore a quella specificata può causare guasti o incendi.

1.4. Prima di iniziare il ciclo di prova (solo per condizionatori d'aria)

⚠ Cautela:

- Azionare l'interruttore principale almeno 12 ore prima di avviare l'impianto. L'avvio dell'impianto immediatamente dopo l'azionamento dell'interruttore principale può danneggiare gravemente le parti interne. Mantenere l'interruttore principale azionato per l'intera stagione operativa.
- Prima di avviare l'impianto, accertarsi che tutti i pannelli, le protezioni ed altri elementi di sicurezza siano installati correttamente. Gli elementi rotanti, caldi o ad alta tensione possono provocare lesioni.

- Non toccare nessun interruttore con le mani umide. Rischio di scossa elettrica.
- Non toccare i tubi del refrigerante a mani nude durante il funzionamento. I tubi del refrigerante possono essere estremamente caldi o freddi, secondo le condizioni del flusso del refrigerante. Il contatto con i tubi può quindi provocare ustioni o congelamento.
- A funzionamento terminato, attendere almeno cinque minuti prima di spegnere l'interruttore principale. Diversamente, si possono verificare perdite di acqua o guasti.

1.5. Utilizzo dell'unità esterna caricata con refrigerante R410A

⚠ Cautela:

- Per tutti i tubi continui in rame e lega di rame, per collegare i tubi di refrigerazione, utilizzare rame fosforoso C1220. Accertarsi che le parti interne dei tubi siano pulite e che non contengano agenti contaminanti dannosi, tra cui composti zolfo, ossidanti, detriti o polvere. Usare tubi dello spessore specificato. (Vedere a 4.1.) Nel caso si intenda riutilizzare i tubi già esistenti con i quali sia stato utilizzato il refrigerante R22, notare quanto segue.
 - Sostituire i dadi svasati presenti e svasare nuovamente le sezioni svasate.
 - Non utilizzare tubi sottili. (Vedere a 4.1.)
- Conservare i tubi da utilizzare durante l'installazione in un ambiente chiuso e mantenere sigillate entrambe le estremità dei tubi fino a poco prima di procedere con la brasatura. (Lasciare le giunzioni a gomito ecc. nella confezione.) La presenza di polvere, detriti o umidità nelle linee dei refrigeranti, può causare il deterioramento dell'olio e guastare il compressore.
- Come olio di refrigerazione da applicare alle sezioni svasate, usare olio esterico, eterico, olio di alchilbenzolo (in quantità limitate). Mescolando l'olio minerale con l'olio di refrigerazione si può provocare un deterioramento dell'olio.

- Non utilizzare altri refrigeranti diversi dal tipo R410A. Utilizzando un refrigerante diverso, il cloro provoca un deterioramento dell'olio.
- Per il refrigerante R410A, usare i seguenti strumenti appositi. Con il refrigerante R410A sono richiesti i seguenti strumenti. Per qualsiasi informazione aggiuntiva, contattare il rivenditore più vicino.

Strumenti (per R410A)	
Calibro tubo	Utensile di svasatura
Tubo di caricamento	Calibro di regolazione misura
Rilevatore di perdite di gas	Adattatore pompa a vuoto
Chiave dinamometrica	Bilancia elettronica di caricamento refrigerante

- Accertarsi di utilizzare gli strumenti adatti. La presenza di polvere, detriti o umidità nelle linee dei refrigeranti, può causare il deterioramento dell'olio.
- Non utilizzare un cilindro di caricamento. L'impiego di un cilindro di caricamento può modificare la composizione del refrigerante ed abbassare il livello di efficienza.

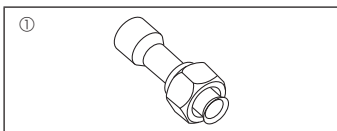


Fig. 1-1

1.6. Accessori dell'unità esterna (Fig. 1-1) (SHW230)

Le parti mostrate a sinistra sono gli accessori di questa unità, situati all'interno del pannello di servizio.

- ① Tubazione lineare.....x1

2. Luogo in cui installare

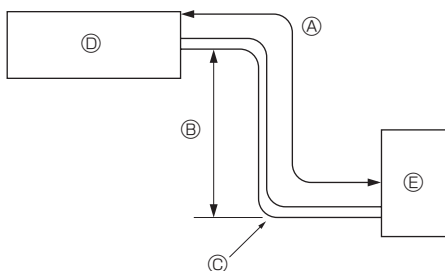


Fig. 2-1

2.1. Tubazione del refrigerante (Fig. 2-1)

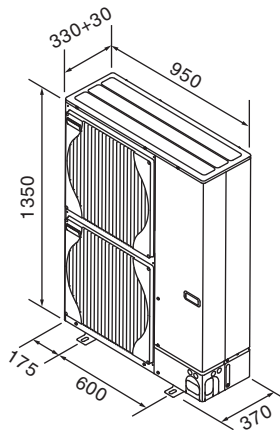
- ▶ Verificare che il dislivello fra le sezioni interna ed esterna, la lunghezza della tubazione del refrigerante ed il numero di pieghe sulla stessa siano entro i limiti indicati nella tabella sottostante.

Modelli	Ⓐ Lunghezza della tubazione (una direzione)	Ⓑ Dislivello	Ⓒ Numero di pieghe (una direzione)
SHW80, 112, 140	2 m - 75 m	Max. 30 m	Max. 15
SHW230	2 m - 80 m	Max. 30 m	Max. 15

- Il limite della differenza di altezza viene definito indipendentemente dall'unità, interna o esterna, posizionata più in alto.
 - Ⓓ Sezione interna
 - Ⓔ Sezione esterna

2. Luogo in cui installare

■ SHW80, 112, 140



■ SHW230

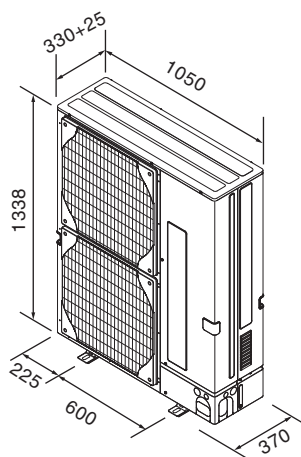


Fig. 2-2

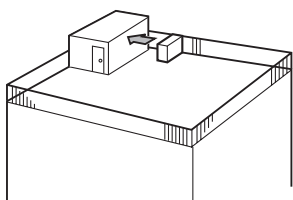


Fig. 2-3

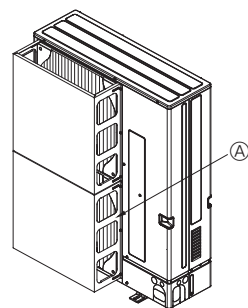


Fig. 2-4

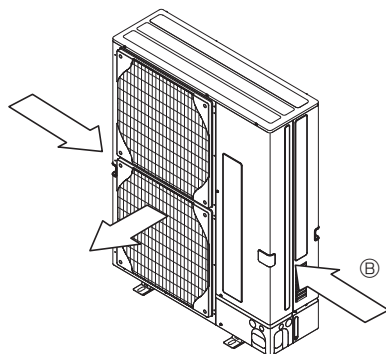


Fig. 2-5

2.2. Scelta del luogo di installazione dell'unità esterna

- Evitare i luoghi esposti alla luce solare diretta o altre fonti di calore.
- Scegliere un luogo dove il rumore emesso dall'unità non disturbi i vicini.
- Scegliere un luogo che consenta di eseguire facilmente i cablaggi ed accedere ai tubi della fonte di alimentazione e dell'unità interna.
- Evitare i luoghi dove si possono verificare perdite, produzione, flusso o accumulo di gas.
- Notare che durante il funzionamento si possono verificare perdite di acqua dall'unità.
- Scegliere un luogo piano in grado di supportare il peso e le vibrazioni dell'unità.
- Evitare di installare l'unità dove possa venire ricoperta dalla neve. Nelle zone in cui le precipitazioni nevose vengono previste in anticipo, prendere particolari precauzioni, ad esempio aumentando l'altezza di installazione o installando un cappuccio nella presa d'aria, in modo da evitare che la neve possa ostruire la presa d'aria o possa soffiare direttamente contro di essa. Questi fenomeni possono ridurre il flusso dell'aria e causare anomalie.
- Evitare i luoghi esposti agli schizzi di olio, vapore o al gas solfureo.
- Per trasportare l'unità usare le apposite maniglie dell'unità esterna. Trasportando l'unità dal fondo, mani o dita possono rimanere schiacciate.

2.3. Dimensioni (Sezione esterna) (Fig. 2-2)

2.4. Ventilazione e spazio di servizio

2.4.1. Installazione in una posizione ventosa

Nel caso l'unità esterna venisse montata in cima a un tetto o in un altro punto non protetto dal vento, posizionare l'uscita dell'aria dell'unità in modo da non esporla direttamente ai venti forti. Eventuali raffiche di vento, penetrando nella bocca di uscita dell'aria, possono impedire il normale flusso dell'aria e causare anomalie.

Le istruzioni riportate di seguito illustrano tre esempi di misure di protezione dai venti forti.

- ① Posizionare la bocca di uscita dell'aria verso la parete più vicina, mantenendola a circa 50 cm di distanza dalla parete. (Fig. 2-3)
- ② Installare una guida per la bocca di uscita dell'aria opzionale nel caso l'unità venga installata in un luogo dove vento forte causato da tifoni o da fenomeni simili possono penetrare direttamente nella bocca di uscita dell'aria. (Fig. 2-4)
 - Ⓐ Guida di protezione dall'aria
- ③ Se possibile, posizionare l'unità in modo che la bocca di uscita soffi perpendicolarmente alla direzione del vento stagionale. (Fig. 2-5)
 - Ⓑ Direzione del vento

2.4.2. Installazione di un'unica unità esterna (Consultare l'ultima pagina)

Le dimensioni minime sono le seguenti, eccetto per i valori Max., i quali indicano le dimensioni massime.

Fare riferimento alle figure per ciascun caso.

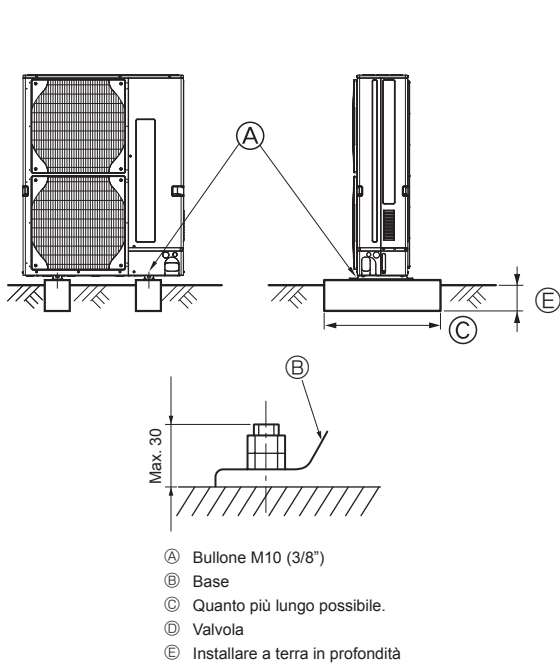
- ① Solo ostacoli posteriori (Fig. 2-6)
- ② Solo ostacoli posteriori e superiori (Fig. 2-7)
- ③ Solo ostacoli posteriori e laterali (Fig. 2-8)
- ④ Solo ostacoli anteriori (Fig. 2-9)
 - * Quando si utilizza le guide opzionali di uscita aria, lo spazio è di almeno 500 mm.
- ⑤ Solo ostacoli anteriori e posteriori (Fig. 2-10)
 - * Quando si utilizza le guide opzionali di uscita aria, lo spazio è di almeno 500 mm.
- ⑥ Solo ostacoli posteriori, laterali e superiori (Fig. 2-11)
 - * Non utilizzare le guide per la bocca di uscita opzionale per il flusso dell'aria verso l'alto.

2.4.3. Installazione di diverse unità esterne (Consultare l'ultima pagina)

Lasciare almeno 10 mm di spazio tra le unità.

- ① Solo ostacoli posteriori (Fig. 2-12)
- ② Solo ostacoli posteriori e superiori (Fig. 2-13)
 - Non affiancare più di tre unità. Inoltre lasciare lo spazio indicato.
 - Non utilizzare le guide per la bocca di uscita opzionale per il flusso dell'aria verso l'alto.
- ③ Solo ostacoli anteriori (Fig. 2-14)
 - * Quando si utilizza le guide opzionali di uscita aria, lo spazio è di almeno 1000 mm.
- ④ Solo ostacoli anteriori e posteriori (Fig. 2-15)
 - * Quando si utilizza le guide opzionali di uscita aria, lo spazio è di almeno 1000 mm.
- ⑤ Disposizione di unità singole parallele (Fig. 2-16)
 - * Nel caso si utilizzi le guide della bocca di uscita aria opzionale installata per il flusso verso l'alto, il gioco previsto è di almeno 1000 mm.
- ⑥ Disposizione di diverse unità parallele (Fig. 2-17)
 - * Nel caso si utilizzi le guide della bocca di uscita aria opzionale, il gioco previsto è di almeno 1500 mm.
- ⑦ Disposizione unità sovrapposte (Fig. 2-18)
 - È consentito sovrapporre al massimo due unità.
 - Non affiancare più di due unità sovrapposte. Inoltre lasciare lo spazio indicato.

3. Installazione della sezione esterna



(mm)

- Assicurarsi di installare l'unità su una superficie solida e in piano, per evitare rumori di sbattimento durante il funzionamento. (Fig. 3-1)

<Specifiche delle fondamenta>

Bullone fondamenta	M10 (3/8")
Spessore del cemento	120 mm
Lunghezza del bullone	70 mm
Capacità di carico	320 kg

- Assicurarsi che la lunghezza del bullone fondamenta non superi 30 mm rispetto alla superficie inferiore della base.
- Assicurare saldamente la base dell'unità con quattro bulloni fondamenta M10 in punti sufficientemente solidi.

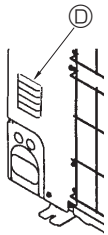
Installazione dell'unità esterna

- Non bloccare la valvola. Il blocco della valvola può impedire il funzionamento dell'impianto e provocare guasti.
- Oltre alla base dell'unità, utilizzare i fori di installazione previsti sul retro dell'unità per collegare i cavi ecc., se necessario per installare l'unità. Utilizzare viti autofillettanti ($\phi 5 \times 15$ mm o meno) ed eseguire l'installazione sul posto.

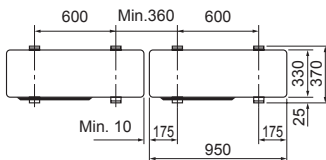
⚠ Avvertenza:

- L'unità deve essere installata in maniera sicura su una struttura in grado di sostenerne il peso. Se montata su una struttura instabile, l'unità potrebbe cadere e causare danni e lesioni.
- L'unità deve essere montata conformemente alle istruzioni, riducendo al minimo il rischio di possibili danni causati da terremoti, tifoni o forti raffiche di vento. Se installata in maniera scorretta, un'unità può cadere e causare danni e lesioni.

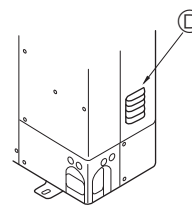
■ SHW80, 112, 140



■ SHW80, 112, 140



■ SHW230



■ SHW230

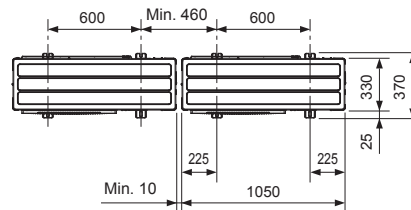


Fig. 3-1

4. Installazione della tubazione del refrigerante

4.1. Precauzioni per gli impianti che utilizzano il refrigerante tipo R410A

- Per ulteriori precauzioni non riportate di seguito sull'impiego dell'unità esterna con refrigerante R410A, vedere il punto 1.5.
 - Come olio di refrigerazione da applicare alle sezioni svasate, usare olio eterico, eterico, olio di alchilbenzolo (in quantità limitate).
 - Per tutti i tubi continui in rame e lega di rame, per collegare i tubi di refrigerazione, utilizzare rame fosforoso C1220. Usare i tubi del refrigerante dello spessore specificato nella tabella in basso. Accertarsi che le parti interne dei tubi siano pulite e che non contengano agenti contaminanti dannosi, tra cui composti solfurei, ossidanti, detriti o polvere.
- Per evitare di danneggiare il compressore, procedere ad una brasatura dei tubi che non produca ossidazione.

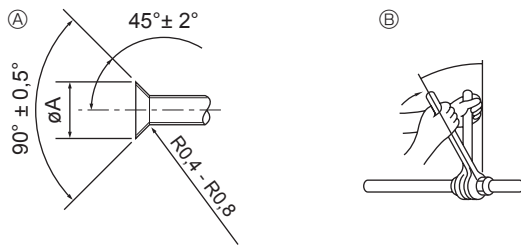
⚠ Avvertenza:

Quando l'unità esterna viene installata o spostata, oppure sottoposta a manutenzione, per caricare i tubi del refrigerante utilizzare esclusivamente il refrigerante specificato (R410A). Non mescolarlo con nessun altro tipo di refrigerante e non consentire all'aria di restare all'interno dei tubi. Qualora dell'aria si mescoli con il refrigerante, potrebbe far innalzare in modo anomalo la pressione nel tubo del refrigerante, il che potrebbe provocare un'esplosione o altri pericoli. L'uso di refrigeranti diversi da quello specificato per il sistema provocherà guasti meccanici, malfunzionamenti del sistema o la rottura dell'unità. Nel peggiore dei casi, questo potrebbe impedire seriamente di garantire la messa in sicurezza del prodotto.

Dimensione tubo (mm)	$\phi 6,35$	$\phi 9,52$	$\phi 12,7$	$\phi 15,88$	$\phi 19,05$	$\phi 22,2$	$\phi 25,4$	$\phi 28,58$
Spessore (mm)	0,8	0,8	0,8	1,0	1,0	1,0	1,0	1,0

- Non utilizzare tubi più sottili di quanto specificato in precedenza.
- Se il diametro è uguale o superiore a 19,05 mm, utilizzare tubi 1/2 H o H.

4. Installazione della tubazione del refrigerante



Ⓐ Dimensioni di taglio per raccordo a cartella
Ⓑ Coppia di serraggio del dado a cartella

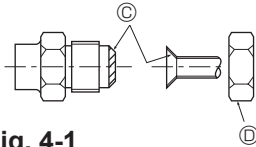


Fig. 4-1

Ⓐ (Fig. 4-1)

D.E. del tubo di rame (mm)	Dimensioni cartella dimensioni ϕA (mm)
$\phi 6,35$	8,7 - 9,1
$\phi 9,52$	12,8 - 13,2
$\phi 12,7$	16,2 - 16,6
$\phi 15,88$	19,3 - 19,7
$\phi 19,05$	23,6 - 24,0

Ⓑ (Fig. 4-1)

D.E. del tubo di rame (mm)	D.E. del dado a cartella (mm)	Coppia di serraggio (N·m)
$\phi 6,35$	17	14 - 18
$\phi 6,35$	22	34 - 42
$\phi 9,52$	22	34 - 42
$\phi 12,7$	26	49 - 61
$\phi 12,7$	29	68 - 82
$\phi 15,88$	29	68 - 82
$\phi 15,88$	36	100 - 120
$\phi 19,05$	36	100 - 120

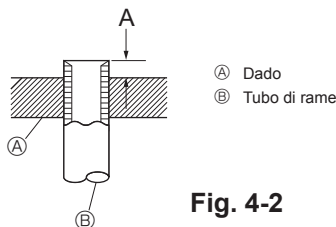
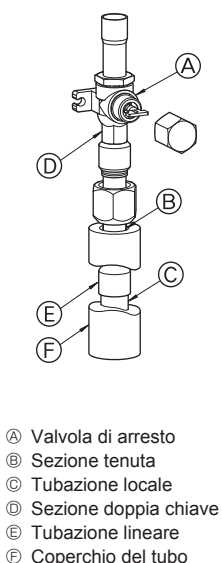
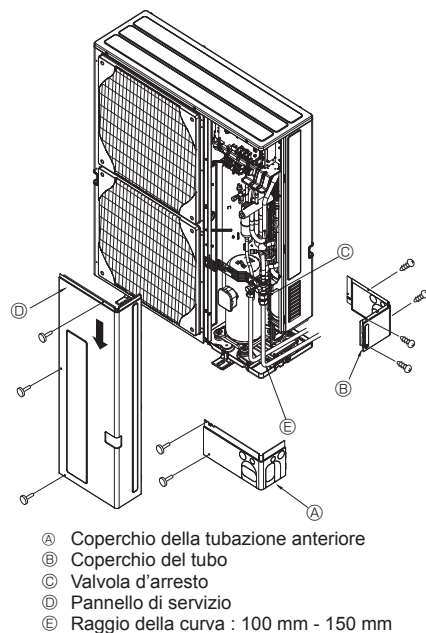


Fig. 4-2



Ⓐ Valvola di arresto
Ⓑ Sezione tenuta
Ⓒ Tubazione locale
Ⓓ Sezione doppia chiave
Ⓔ Tubazione lineare
Ⓕ Coperchio del tubo

Fig. 4-3



Ⓐ Coperchio della tubazione anteriore
Ⓑ Coperchio del tubo
Ⓒ Valvola d'arresto
Ⓓ Pannello di servizio
Ⓔ Raggio della curva : 100 mm - 150 mm

Fig. 4-4

4.2. Collegamento dei tubi (Fig. 4-1)

- Se vengono utilizzati dei tubi di rame disponibili in commercio, avvolgere del materiale di isolamento, disponibile in commercio, attorno ai tubi del liquido e del gas (resistente alla temperatura di 100°C o superiore, spessore di almeno 12 mm).
- Accertarsi di effettuare un isolamento termico distinto sui tubi del gas e su quelli del liquido refrigerante.
- Le parti interne del tubo di drenaggio devono essere ricoperte di materiale di isolamento in schiuma di polietilene (gravità specifica di 0,03, spessore di almeno 9 mm).
- Stendere uno strato sottile di oliorefrigerante sul tubo e collegare la superficie di appoggio prima di serrare il dado a cartella. Ⓐ
- Serrare i raccordi dei tubi usando 2 chiavi. Ⓑ
- Una volta terminato il collegamento, usare un rivelatore di perdite di gas od una soluzione di acqua e sapone per controllare la presenza di eventuali perdite di gas.
- Applicare olio adatto alle macchine di refrigerazione sull'intera superficie di alloggiamento svasata. Ⓒ
- Utilizzare i dadi a cartella per le seguenti dimensioni di tubazioni. Ⓓ

	SHW80, 112, 140	SHW230
Lato gas	Dimensioni tubo (mm) $\phi 15,88$	$\phi 25,4$
Lato liquidi	Dimensioni tubo (mm) $\phi 9,52$	$\phi 12,7$

- Nel caso si dovessero piegare i tubi, fare attenzione a non romperli. I raggi di piegatura compresi tra 100 mm e 150 mm sono sufficienti.
- Accertarsi che i tubi non vengano a contatto con il compressore. Possibili conseguenze sono una rumorosità anomala e vibrazioni.

- Collegare i tubi partendo dall'unità interna. Stringere le viti svasate con una chiave dinamometrica.
- Svasare i tubi del liquido e del gas ed applicare un sottile strato di olio di refrigerazione (da applicare in loco).
- Nel caso si utilizzi un sistema di sigillatura dei tubi tradizionale, per maggiori indicazioni sulla svasatura dei tubi del refrigerante R410A, vedere la tabella 1. Il calibro di regolazione misura può essere utilizzato per confermare le misure A.

Tabella 1 (Fig. 4-2)

D.E. del tubo di rame (mm)	A (mm)	
	Attrezzo per raccordi a cartella per R410A	Attrezzo per raccordi a cartella per für R22-R407C
	Tipo a innesto	
$\phi 6,35$ (1/4")	0 - 0,5	1,0 - 1,5
$\phi 9,52$ (3/8")	0 - 0,5	1,0 - 1,5
$\phi 12,7$ (1/2")	0 - 0,5	1,0 - 1,5
$\phi 15,88$ (5/8")	0 - 0,5	1,0 - 1,5
$\phi 19,05$ (3/4")	0 - 0,5	1,0 - 1,5

- Per il collegamento delle tubazioni lato gas, procedere nel modo seguente. (Fig. 4-3) (SHW230)
 - Brasare la tubazione lineare Ⓒ per l'unità esterna con materiale di brasatura da procurarsi e la tubazione locale Ⓓ senza ossigeno.
 - Collegare la tubazione lineare Ⓒ alla valvola di arresto lato gas. Serrare il dado svasato con due chiavi.
 - Se si inverte l'ordine, si produce una perdita di refrigerante a causa dei danni provocati alla parte dalla fiamma di brasatura.

4.3. Tubazione del refrigerante (Fig. 4-4)

Rimuovere il pannello di servizio Ⓓ (3 viti) e il coperchio della tubazione anteriore Ⓐ (2 viti) e il coperchio della tubazione posteriore Ⓑ (2 viti: SHW80 - 140) (4 viti: SHW230).

- Esegui i collegamenti delle tubazioni refrigerante per l'unità interna/esterna quando la valvola d'arresto dell'unità esterna è completamente chiusa.
- Vuotare l'aria dalla sezione interna e dalla tubazione di collegamento.
- Dopo aver collegato i tubi del refrigerante, controllare gli altri tubi collegati e l'unità interna per verificare la presenza di eventuali perdite di gas. (Consultare il punto 4.4 Tubo del refrigerante e metodo di verifica tenuta.)
- Una pompa a vuoto ad elevate prestazioni è usata all'apertura di servizio della valvola di arresto per mantenere il vuoto per un tempo adeguato (almeno un'ora dopo aver raggiunto -101 kPa (5 Torr)) al fine di asciugare a vuoto l'interno dei tubi. Controllare sempre il grado di vuoto presso il collettore strumenti. Nel caso sia rimasta umidità nel tubo, il grado di vuoto talvolta non è raggiunto applicando il vuoto per breve tempo. Dopo l'asciugatura a vuoto, aprire completamente le valvole di arresto (liquido e gas) per l'unità esterna. Questo permette di collegare completamente le linee refrigeranti interna ed esterna.
 - Se l'asciugatura a vuoto non è adeguata, all'interno delle linee potrebbero rimanere aria e vapore acqueo con la possibile conseguenza di un aumento anomalo dell'alta pressione, un abbassamento anomalo della bassa pressione, un deterioramento dell'olio refrigerante a causa dell'umidità, ecc.
 - Lasciando chiuse le valvole di arresto e mettendo in funzione l'unità, si rischia di danneggiare il compressore e le valvole di controllo.
 - Utilizzare un rivelatore di perdite o acqua saponata per verificare la presenza di eventuali perdite di gas nelle sezioni di giunzione dei tubi dell'unità esterna.
 - Non utilizzare il refrigerante dell'unità per spurgare l'aria dai tubi del refrigerante.
 - Terminato il lavoro con le valvole, stringere i cappucci delle valvole con la coppia di serraggio corretta: da 20 a 25 N·m (da 200 a 250 kgf·cm). Se i cappucci non vengono sostituiti o stretti come previsto, si possono verificare perdite di refrigerante. Inoltre, non danneggiare la parte interna dei cappucci in quanto essi fungono da tenuta per prevenire eventuali perdite di refrigerante.
- Utilizzare il sigillante per sigillare le estremità dell'isolamento termico attorno alle sezioni di giunzione dei tubi per prevenire la penetrazione dell'acqua nell'isolamento termico.

4. Installazione della tubazione del refrigerante

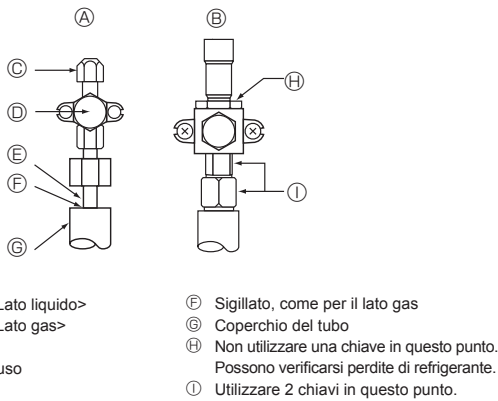


Fig. 4-5

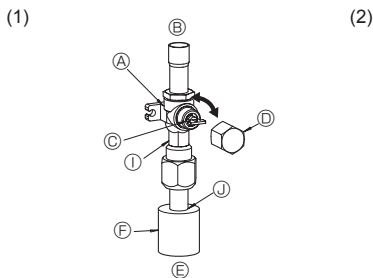


Fig. 4-6

- Ⓐ Valvola
- Ⓑ Lato unità
- Ⓒ Maniglia
- Ⓓ Cappuccio
- Ⓔ Lato tubazione locale
- Ⓕ Coperchio della tubazione
- Ⓖ Attacco di servizio
- Ⓗ Foro per la chiave

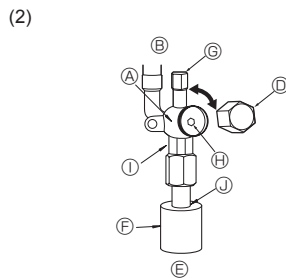


Fig. 4-7

- Ⓛ Sezione doppia chiave
(Non utilizzare una chiave se non in questo punto. Potrebbero verificarsi perdite di refrigerante.)
- Ⓜ Sezione tenuta
(Sigillare l'estremità del materiale isolante termico nel punto di collegamento delle tubazioni con qualsiasi materiale sigillante a disposizione, in modo che l'acqua non s'infiltri nel materiale termico isolante.)

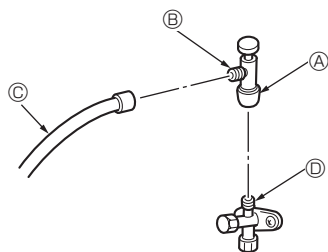


Fig. 4-8

- * La figura a sinistra costituisce un semplice esempio. La forma della valvola di arresto, la posizione dell'apertura di servizio, ecc., possono variare in funzione del modello.
- * Ruotare solo la parte Ⓐ. (Non serrare ulteriormente le parti Ⓐ e Ⓑ l'una con l'altra.)
- Ⓒ Tubo di caricamento
- Ⓓ Apertura di servizio

4.4. Tubo del refrigerante e metodo di verifica tenuta (Fig. 4-5)

- (1) Collegare gli strumenti di verifica.
 - Accertarsi che le valvole di arresto Ⓐ e Ⓑ siano chiuse e non aprirle.
 - Aggiungere pressione alle linee del refrigerante attraverso il punto per interventi di servizio Ⓒ della valvola di arresto del liquido Ⓐ.
- (2) Aggiungere gradualmente la pressione alla pressione specificata.
 - ① Pressurizzare a 0,5 MPa (5 kgf/cm²G), attendere cinque minuti ed accertarsi che la pressione non scenda.
 - ② Pressurizzare a 1,5 MPa (15 kgf/cm²G), attendere cinque minuti ed accertarsi che la pressione non scenda.
 - ③ Pressurizzare a 4,15 MPa (41,5 kgf/cm²G), attendere cinque minuti e misurare la temperatura circostante e la pressione del refrigerante.
- (3) Se la pressione specificata viene mantenuta per circa un giorno senza diminuire, significa che i tubi hanno superato la prova e non ci sono perdite.
 - Se la temperatura circostante cambia di 1°C, la pressione tende a cambiare di circa 0,01 MPa (0,1 kgf/cm²G). Apportare le modifiche necessarie.
- (4) Un calo di pressione nelle fasi (2) o (3) indica una perdita di gas. Cercare le cause della perdita.

4.5. Metodo di apertura della valvola di arresto

La modalità di aperture della valvola di arresto varia a seconda del modello dell'unità esterna. Utilizzare la modalità corretta per aprire le valvole di arresto.

- (1) Lato gas (Fig. 4-6)
 - ① Rimuovere il cappuccio, tirare la maniglia verso di sé e ruotare di 1/4 di giro in senso antiorario per aprire.
 - ② Assicurarsi che la valvola d'arresto sia completamente aperta, spingere in dentro la maniglia e riportare il cappuccio alla posizione originale.
- (2) Lato liquido (Fig. 4-7)
 - ① Togliere il cappuccio e girare fino a quando è possibile l'asta della valvola in senso antiorario utilizzando una chiave esagonale du 4 mm. Smettere di girare quando si urta l'otturatore. (ø9,52: circa 10 giri)
 - ② Assicurarsi che la valvola d'arresto sia completamente aperta, spingere in dentro la maniglia e riportare il cappuccio alla posizione originale.

I tubi del refrigerante sono avvolti in un materiale protettivo

- I tubi possono essere avvolti in un materiale protettivo fino ad un diametro di ø90 prima e dopo la connessione. Tagliare il foro di uscita nel coperchio del tubo dopo il solco ed avvolgere i tubi.

Spazio libero di ingresso del tubo

- Con del sigillante o del mastice sigillare la bocca di ingresso dei tubi in modo da non far rimanere nessuno spazio libero.

(La mancata chiusura degli spazi liberi può essere causa di rumorosità o perdite di acqua, nonché consentire la penetrazione dell'acqua con conseguenti guasti all'impianto.)

Precauzioni per l'utilizzo della valvola di caricamento (Fig. 4-8)

Non stringere eccessivamente l'apertura di servizio al momento dell'installazione, altrimenti il nucleo della valvola può deformarsi ed allentarsi, con il rischio di perdite di gas.

Dopo aver posizionato la parte Ⓑ nella direzione desiderata, ruotare unicamente la parte Ⓐ e serrarla.

Dopo aver serrato la parte Ⓐ, non serrare ulteriormente le parti Ⓐ e Ⓑ l'una con l'altra.

⚠ Avvertenza:

Al momento dell'installazione dell'unità, collegare saldamente i tubi del refrigerante prima di azionare il compressore.

4.6. Aggiunta di refrigerante

- Per questa unità non è necessario un caricamento supplementare se la lunghezza del tubo non supera i 30 m.

- Se la lunghezza del tubo supera i 30 m, caricare l'unità con altro refrigerante R410A conformemente alle lunghezze dei tubi ammesse nel grafico in basso.

* Quando l'unità è ferma, caricare l'unità con altro refrigerante attraverso la valvola di arresto del liquido dopo aver creato il vuoto nei tubi di prolunga e nell'unità interna. Quando l'unità è in funzione, aggiungere il refrigerante alla valvola di controllo del gas utilizzando un caricatore di sicurezza. Non aggiungere il refrigerante liquido direttamente alla valvola di controllo.

- * Dopo aver caricato il refrigerante nell'unità, annotare la quantità di refrigerante aggiunta sull'etichetta di servizio (applicata sull'unità). Per maggiori informazioni, vedere "1.5. Utilizzo dell'unità esterna caricata con refrigerante R410A".

- Durante l'installazione di unità multiple, prestare estrema attenzione. Il collegamento ad un'unità interna sbagliata può causare un aumento anomalo della pressione, con gravi effetti sulle prestazioni dell'impianto.

Modello	Lunghezza del tubo consentita	Differenza verticale consentita	Quantità di refrigerante iniziale	Quantità di caricamento di refrigerante supplementare			
				31 - 40 m	41 - 50 m	51 - 60 m	61 - 75 m
SHW80, 112, 140	2 m - 75 m	Max. 30 m	5,5 kg	0,6 kg	1,2 kg	1,8 kg	2,4 kg

Modello	Lunghezza del tubo consentita	Differenza verticale consentita	Quantità di refrigerante iniziale	Metodo di funzionamento	Calibro tubo idraulico	Quantità di caricamento di refrigerante supplementare					
						21 - 30 m	31 - 40 m	41 - 50 m	51 - 60 m	61 - 70 m	71 - 80 m
SHW230	2 m - 80 m ^{*1}	Max. 30 m	7,1 kg	ATW	ø 12,7	–	1,4 kg	2,8 kg	4,2 kg	5,6 kg	7,0 kg
					ø 9,52	–	–	0,8 kg	1,7 kg	2,6 kg	3,5 kg
					ø 12,7	1,4 kg	2,8 kg	4,2 kg	5,6 kg	7,0 kg	8,4 kg
					ø 9,52	–	0,8 kg	1,7 kg	2,6 kg	3,5 kg	4,4 kg
				ATA / AHU							

*1. Se la lunghezza del tubo è di 10 m o meno (SHW230YKA2R2 o successive), impostare il pannello di controllo SW8-2 su ON.

4. Installazione della tubazione del refrigerante

<Limiti dell'installazione della tubazione del refrigerante>

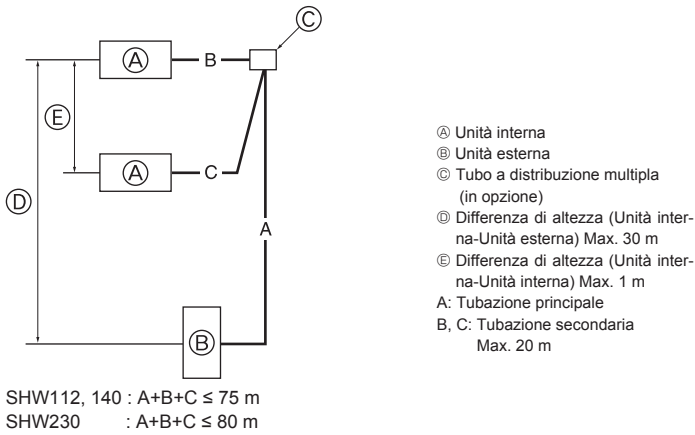


Fig. 4-9

5. Installazione della tubazione di drenaggio

Collegamento del tubo di drenaggio della sezione esterna

I modelli della serie PUHZ-SHW non possono essere collegati con un tubo di drenaggio a causa della specifica della cella frigorifera.

6. Lavoro sulle tubazioni dell'acqua (solo per la pompa di calore aria - acqua)

Quantità minima di acqua

Nel circuito idraulico è necessaria la quantità seguente di acqua.

Modello	Quantità minima di acqua (L)
SHW80	34
SHW112	48
SHW140	60
SHW230	99

Quando l'unità funziona in raffreddamento con bassa temperatura ambiente (inferiore a 0 °C), accertarsi di mettere in atto le misure antigelo, come l'applicazione della soluzione antigelo.

7. Collegamenti elettrici

7.1. Unità esterna (Fig. 7-1, Fig. 7-2)

- ① Rimuovere il pannello di servizio.
- ② Posizionare i cavi secondo la Fig. 7-1 e la Fig. 7-2.

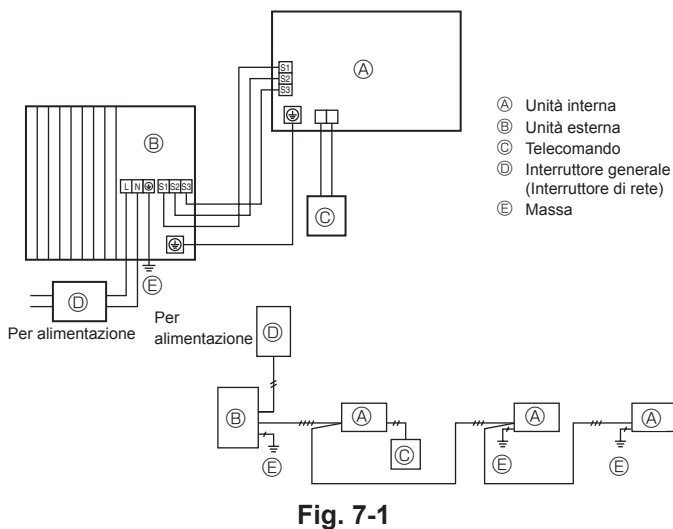


Fig. 7-1

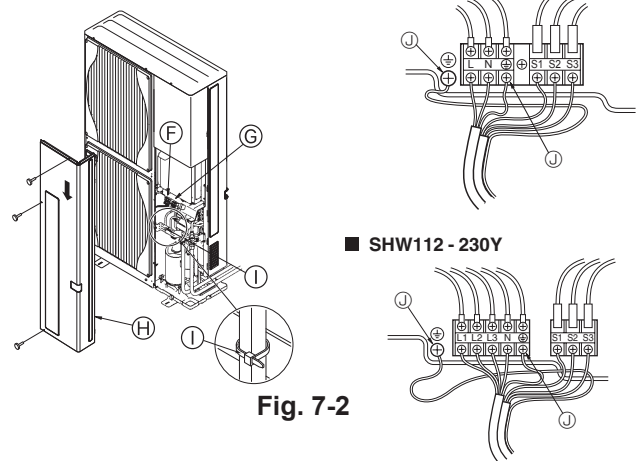


Fig. 7-2

- F Blocco terminale
 G Blocco terminale collegamento unità interna/esterna (S1, S2, S3)
 H Pannello di servizio
 I Fascetta serracavi
 J Morsetto di terra

* Fissare i cavi in modo che non tocchino il centro del pannello di servizio o la valvola del gas.

4.7. Per combinazione doppia/tripla/quadrupla (Fig. 4-9) (solo per condizionatori d'aria)

- Quando l'unità viene utilizzata come sistema MULTI SPLIT, installare la tubazione del refrigerante attenendosi alle limitazioni indicate nell'illustrazione a sinistra. Inoltre, se tali limitazioni verranno superate, o nel caso di combinazioni di unità interne ed esterne, fare riferimento alle istruzioni per l'installazione dell'unità interna per informazioni dettagliate sull'installazione.

Unità esterna	Lunghezza totale tubazione consentita A+B+C	Caricamento-meno lunghezza tubazione A+B+C
SHW112, 140	75 m o meno	30 m o meno
SHW230	80 m o meno	30 m o meno

Unità esterna	B-C	Numero di pieghe
SHW112, 140, 230	8 m o meno	Max. 15

Nota: Solo per la pompa di calore aria - acqua
 Se all'unità esterna viene collegata più di un'unità interna (hydrobox), collegare la scheda PCB di una sola unità interna all'unità esterna (S1, S2, S3).

Non è infatti possibile collegare le schede PCB di più di un'unità interna all'unità esterna.

Nota:
 Se il foglio di protezione della scatola dei componenti elettrici viene rimosso durante la manutenzione, accertarsi di ricollocarlo al suo posto.

⚠ Cautela:
 Assicurarsi di installare la linea N. Senza la linea N, potrebbero verificarsi danni all'unità.

7. Collegamenti elettrici

7.2. Collegamenti elettrici locali

Modello unità esterna		SHW80V	SHW112V	SHW112, 140Y	SHW230Y
Sezione esterna alimentazione		~N (Monofase), 50 Hz, 230 V	~N (Monofase), 50 Hz, 230 V	3N~ (3 fasi, 4 fili), 50 Hz, 400 V	3N~ (3 fasi, 4 fili), 50 Hz, 400 V
Capacità di ingresso unità esterna Interruttore principale *1 (Interruttore di rete)		32 A	40 A	16 A	25 A
Cablaggi N. filo x dimensio- ne (mm²)	Sezione esterna alimentazione	3 x Min. 4	3 x Min. 6	5 x Min. 1,5	5 x Min. 4
	Sezione interna-Sezione esterna *2	3 x 1,5 (Polar)	3 x 1,5 (Polar)	3 x 1,5 (Polar)	Lunghezza del cavo 50 m : 3 x 4 (Polarità) Lunghezza del cavo 80 m : 3 x 6 (Polarità)
	Messa a terra Sezione interna-Sezione esterna *2	1 x Min. 1,5	1 x Min. 1,5	1 x Min. 1,5	1 x Min. 2,5
	Collegamento comando a distanza/sezione interna *3	2 x 0,3 (Senza polarità)	2 x 0,3 (Senza polarità)	2 x 0,3 (Senza polarità)	2 x 0,3 (Senza polarità)
Capacità circuito	Sezione esterna L-N (Monofase)	*4	230 V CA	230 V CA	230 V CA
	Sezione esterna L1-N, L2-N, L3-N (3 fasi)	*4	230 V CA	230 V CA	230 V CA
	Sezione interna-Sezione esterna S1-S2	*4	24 V CC	24 V CC	24 V CC
	Sezione interna-Sezione esterna S2-S3	*4	12 V CC	12 V CC	12 V CC

*1. Utilizzare un interruttore automatico del circuito di dispersione a terra (NV) con una separazione dei contatti di almeno 3,0 mm in ogni polo.

Accertarsi che l'interruttore del circuito di dispersione sia compatibile con armoniche più alte.

Utilizzare sempre un interruttore del circuito di dispersione compatibile con armoniche più alte in quanto questa unità è dotata di inverter.

L'uso di un interruttore inadeguato può compromettere il funzionamento dell'inverter.

*2. (SHW80 - 140)

Max. 45 m

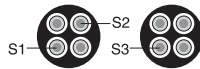
Se si utilizzano cavi da 2,5 mm², Max. 50 m

Se si utilizzano cavi da 2,5 mm² ed S3 distinti, Max. 80 m

(SHW230)

Lunghezza massima: 80 m. La lunghezza massima complessiva, compresi tutti i collegamenti interni/ esterni, è di 80 m.

• Utilizzare un cavo per S1 e S2 e l'altro cavo per S3, come mostrato nella figura.

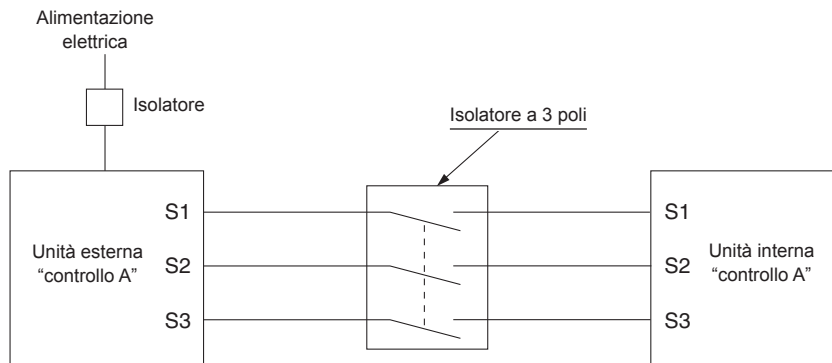


*3. Collegare un cavo da 10 m al controllore remoto.

*4. Questi valori NON vengono sempre applicati alla messa a terra.

La differenza di potenziale tra il terminale S3 e il terminale S2 è 24 V CC. Il collegamento tra i terminali S3 e S1 NON è isolato elettricamente dal trasformatore o da altri dispositivi.

- Nota:**
1. I collegamenti elettrici devono rispettare le pertinenti norme locali e nazionali.
 2. I cavi di alimentazione e di collegamento della sezione interna/esterna non devono essere più leggeri dei cavi flessibili rivestiti di policloroprene (modello 60245 IEC 57).
 3. Utilizzare un filo di messa a terra più lungo degli altri cavi, in modo che non si scollegli quando viene messo in tensione.



⚠ Avvertenza:

- Per i cavi di comando A, esiste un potenziale di alta tensione sul terminale S3, dovuto alla tipologia del circuito elettrico, che non dispone di isolamento elettrico tra la linea di alimentazione e la linea del segnale di comunicazione. Pertanto, quando si esegue la manutenzione, disinserire l'alimentazione principale. Inoltre, non toccare i terminali S1, S2, S3 quando è inserita l'alimentazione. Qualora sia necessario utilizzare un isolatore tra l'unità interna e l'unità esterna, utilizzare un isolatore di tipo a 3 poli.
- Quando la temperatura è inferiore a - 20°C, occorrono almeno 12 ore di funzionamento in standby perché le parti elettriche si riscaldino.

Non giuntare mai il cavo dell'alimentazione o il cavo di collegamento interno-esterno, diversamente ciò potrebbe essere causa di fumo, incendio o mancato collegamento.

CAVO DI COLLEGAMENTO SEZIONE INTERNA/ESTERNA (SHW230)

Sezione trasversale cavo	Dimensione cavo (mm ²)	Numero di cavi	Polarità	L (m)*6
Tonda	2,5	3	Senso orario : S1-S2-S3 * Fare attenzione alla striscia gialla e verde	(30) *2
Piatta	2,5	3	Non disponibile (Il conduttore centrale non è provvisto di guaina protettiva)	Non disponibile *5
Piatta	1,5	4	Da sinistra a destra : S1-Aperto-S2-S3	(18) *3
Tonda	2,5	4	Senso orario : S1-S2-S3-Aperto * Collegare S1 e S3 all'angolo opposto	(30) *4

*1: I cavi di alimentazione delle apparecchiature elettriche non devono essere più leggeri dei cavi 60245 IEC o 227 IEC.

*2: Se il cavo con la striscia gialla e verde è disponibile.

*3: In caso di collegamento con polarità normale (S1-S2-S3), la dimensione del cavo è 1,5 mm².

*4: In caso di collegamento con polarità normale (S1-S2-S3).

*5: Se i cavi piatti sono collegati come mostrato in figura, possono essere utilizzati per una lunghezza massima di 30 m.

*6: La lunghezza del cavo indicata è solo un valore di riferimento.

Potrebbe essere diversa a seconda delle condizioni di installazione, umidità, materiali, ecc.



Assicurarsi di collegare i cavi di collegamento esterni-interni direttamente alle unità (senza collegamenti intermedi).

I collegamenti intermedi possono provocare errori di comunicazione se dell'acqua penetra nei cavi e causare un insufficiente isolamento a terra o uno scarso contatto elettrico nel punto di collegamento intermedio.

8. Prova di funzionamento (solo per condizionatori d'aria)

8.1. Operazioni preliminari alla prova di funzionamento

- ▶ Dopo aver completato l'installazione, i collegamenti elettrici e le tubazioni delle sezioni interne ed esterne, verificare l'assenza di perdite di refrigerante, allentamenti dei cavi di alimentazione o di comando, errori di polarità e scollegamenti di una fase dell'alimentazione elettrica.
- ▶ Controllare, mediante un megaohmmetro da 500 volt, se la resistenza fra i morsetti dell'alimentazione e la massa è di almeno 1 MΩ.
- ▶ Non eseguire questa prova sui morsetti del cablaggio di controllo (circuito a bassa tensione).

⚠ Avvertenza:

Non utilizzare l'unità esterna se la resistenza dell'isolamento è inferiore a 1 MΩ.

Resistenza d'isolamento

Terminata l'installazione o dopo aver staccato l'alimentazione dell'unità per un periodo prolungato, la resistenza d'isolamento scende ad un valore inferiore a 1 MΩ a causa dell'accumulo di refrigerante nel compressore. Non si tratta di un'anomalia. Procedere nel seguente modo.

1. Staccare i cavi dal compressore e misurare la resistenza d'isolamento del compressore.
2. Se la resistenza d'isolamento risulta inferiore a 1 MΩ, significa che il compressore è difettoso o che la resistenza è scesa a causa di un accumulo di refrigerante nel compressore.
3. Dopo aver collegato i cavi al compressore, quest'ultimo inizia a riscaldarsi una volta attivata l'alimentazione. Dopo aver erogato la corrente di alimentazione per gli intervalli indicati di seguito, misurare nuovamente la resistenza d'isolamento.

- La resistenza d'isolamento scende a causa di un accumulo di refrigerante nel compressore. La resistenza sale oltre 1 MΩ dopo che il compressore è stato riscaldato per 4 ore.
(Il tempo necessario per riscaldare il compressore varia in base alle condizioni atmosferiche e all'accumulo di refrigerante.)
 - Per far funzionare il compressore con il refrigerante accumulato nel compressore e per evitare possibili guasti, quest'ultimo deve essere riscaldato per almeno 12 ore.
4. Se la resistenza d'isolamento sale oltre 1 MΩ, il compressore non è difettoso.

⚠ Cautela:

- Il compressore non si avvierà se la connessione della fase di alimentazione non è corretta.
- Accendere l'interruttore di alimentazione principale almeno dodici ore prima dell'avvio dell'unità.
- Un immediato avvio dell'unità dopo l'accensione di questo interruttore può danneggiare le parti interne della stessa. Tenere acceso l'interruttore di alimentazione principale durante la stagione di funzionamento.

▶ Controllare anche i seguenti punti.

- L'unità esterna non è difettosa. I LED1 e LED2 sul pannello di comando dell'unità esterna lampeggiano quando l'unità esterna è difettosa.
- Le valvole di arresto del gas e del liquido sono completamente aperte.
- Una pellicola protettiva copre la superficie del pannello dei Dip switch sul pannello di comando dell'unità interna. Togliere la pellicola protettiva per poter agire facilmente sui Dip switch.

8.2. Prova di funzionamento

8.2.1. Uso dell'SW4 nell'unità esterna

SW4-1	ON	Funzionamento del raffreddamento
SW4-2	OFF	
SW4-1	ON	Funzionamento del riscaldamento
SW4-2	ON	

- * Dopo aver eseguito la prova di funzionamento, portare SW4-1 su OFF.
- Dopo aver alimentato la corrente, si potrebbe sentire un piccolo rumore di scatto dall'interno dell'unità esterna. La valvola di espansione elettronica si sta aprendo e chiudendo. L'unità non è difettosa.

- Alcuni secondi dopo l'avvio del compressore, si potrebbe sentire un rumore sferragliante dall'interno dell'unità esterna. Questo rumore viene prodotto dalla valvola di controllo a causa della piccola differenza di pressione nei tubi. L'unità non è difettosa.
- La modalità di esecuzione del ciclo di prova non può essere modificata dal Dip switch SW4-2 durante il ciclo di prova. (Per modificare la modalità di esecuzione del ciclo di prova durante il ciclo stesso, fermare il ciclo di prova con il Dip switch SW4-1. Dopo aver modificato la modalità di esecuzione del ciclo di prova, riprendere il ciclo di prova azionando lo switch SW4-1).**

8.2.2. Uso del comando a distanza

Fare riferimento al manuale d'installazione dell'unità esterna.

Nota :

Talvolta, il vapore generato dall'operazione di scongelamento può sembrare fumo che fuoriesce dall'unità esterna.

9. Funzioni speciali

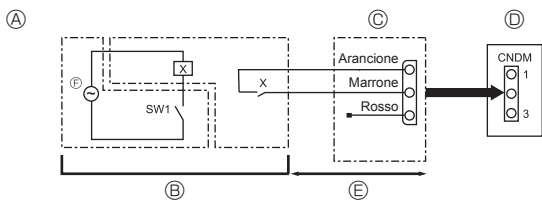


Fig. 9-1

- ④ Esempio di schema del circuito (modalità bassa rumorosità)
 ⑤ Disposizione in loco
 ⑥ Adattatore di input esterno (PAC-SC36NA-E)
 X: Relè
- ④ Pannello di comando dell'unità esterna
 ⑤ Max. 10 m
 ⑥ Alimentazione per relè

9.1. Modalità bassa rumorosità (modifica in loco) (Fig. 9-1)

Eseguito la seguente modifica, la rumorosità dell'unità esterna può essere ridotta di circa 3-4 dB.

La modalità a bassa rumorosità viene attivata aggiungendo un timer disponibile in commercio o un'entrata di contatto di un interruttore ON/OFF sul connettore CNDM (optional) sul pannello di comando dell'unità esterna.

• La capacità dipende dalla temperatura e dalle condizioni esterne, ecc.

- ① Completare il circuito come illustrato utilizzando l'adattatore di entrata esterno (PAC-SC36NA-E) (optional).
- ② SW1 ON: Modalità bassa rumorosità
SW1 OFF: Funzionamento normale

Nota:

Se il Dip SW7-1 e SW9-1 sul pannello di comando dell'unità esterna sono impostati su ON, impostare il Dip SW7-1 e SW9-1 su OFF. (Questa modalità non può essere utilizzata insieme alla funzione a richiesta).

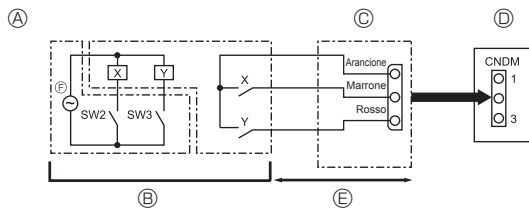


Fig. 9-2

- ④ Esempio di schema del circuito (Funzione a richiesta)
 ⑤ Disposizione in loco
 ⑥ Adattatore di input esterno (PAC-SC36NA-E)
 X, Y: Relè
- ④ Pannello di comando dell'unità esterna
 ⑤ Max. 10 m
 ⑥ Alimentazione per relè

9.2. Funzione a richiesta (modifica in loco) (Fig. 9-2) (solo per condizionatori d'aria)

Con la seguente modifica, è possibile ridurre il consumo di energia a 0-100% rispetto al consumo normale.

La funzione a richiesta verrà attivata quando un timer disponibile in commercio o l'ingresso di contatto di uno switch ON/OFF viene aggiunto al connettore CNDM (opzionale) sulla scheda di controllo dell'unità esterna.

- ① Completare il circuito come illustrato utilizzando l'adattatore di entrata esterno (PAC-SC36NA-E) (optional).
- ② Impostando SW7-1 sulla scheda di controllo dell'unità esterna, il consumo di energia può essere limitato (rispetto al consumo normale) come indicato qui di seguito.

	SW7-1	SW2	SW3	Consumo di energia
Funzione a richiesta	ON	OFF	OFF	100%
		ON	OFF	75%
		ON	ON	50%
		OFF	ON	0% (Stop)

9.3. Recupero del refrigerante (Pompaggio)

Quando si desidera spostare o eliminare l'unità interna/esterna, eseguire il pompaggio del sistema attenendosi alla procedura riportata di seguito, affinché non venga emesso refrigerante nell'atmosfera.

- ① Disattivare l'alimentazione (interruttore di circuito).
- ② Collegare la valvola bassa pressione del collettore alla presa di caricamento (lato bassa pressione) sull'unità esterna.
- ③ Chiudere completamente la valvola di arresto del liquido.
- ④ Alimentare l'impianto (interruttore automatico).
 - * Quando l'impianto viene alimentato, accertare che il messaggio "CENTRALLY CONTROLLED" non sia visualizzato sul telecomando. Se il messaggio "CENTRALLY CONTROLLED" fosse visualizzato, il recupero del refrigerante non può essere eseguito normalmente.
 - * La comunicazione tra unità interna ed esterna si avvia circa 3 minuti dopo l'accensione (interruttore di circuito). Avviare il pompaggio 3 o 4 minuti dopo l'accensione (interruttore di circuito su ON).
- ⑤ Eseguire l'operazione di raccolta del refrigerante (prova di funzionamento in raffreddamento).
 - * Premere l'interruttore di pompaggio SWP (del tipo a pulsante) sul pannello di comando dell'unità esterna. Il compressore ed i ventilatori (unità interna ed esterna) iniziano a funzionare (ha inizio l'operazione di recupero del refrigerante). (Il LED1 ed il LED2 sul pannello di comando sono accesi.)
 - * Premere l'interruttore di pompaggio SWP solo se l'unità è spenta. Tuttavia, anche se l'unità è spenta e si preme l'interruttore di pompaggio SWP meno di tre minuti dopo l'arresto del compressore, sarà impossibile eseguire il recupero del refrigerante. Attendere che il compressore sia spento da almeno 3 minuti, quindi premere di nuovo l'interruttore di pompaggio SWP.
- ⑥ Chiudere completamente la valvola a sfera sul lato del tubo del gas dell'unità esterna quando il manometro sul collettore indica da 0,05 a 0 MPa [Manometro] (da 0,5 a 0 kgf/cm² circa) ed arrestare rapidamente l'unità esterna.

- * Se si preme di nuovo l'interruttore di pompaggio SWP, l'unità si arresta.
 - * Poiché l'unità si arresta automaticamente circa 3 minuti dopo il recupero del refrigerante (LED1 spento, LED2 acceso), chiudere rapidamente la valvola a sfera del gas. Tuttavia, se il LED1 è acceso, il LED2 è spento, e l'unità è spenta, aprire completamente la valvola di arresto del liquido, chiudere completamente la valvola una volta trascorsi almeno 3 minuti, quindi ripetere l'operazione ⑤. (Aprire completamente la valvola a sfera del gas.)
 - * Se il recupero del refrigerante è stato eseguito normalmente (LED1 spento, LED2 acceso), l'unità rimane spenta finché l'alimentazione è scollegata.
 - * Tenere presente che quando i tubi di prolunga sono molto lunghi e vi è una grande quantità di refrigerante, può accadere che non si riesca ad eseguire l'operazione di pompaggio. In questo caso, per raccogliere tutto il refrigerante che si trova all'interno del sistema, utilizzare un dispositivo di recupero refrigerante.
- ⑦ Disattivare l'alimentazione (interruttore di circuito), rimuovere il collettore, quindi staccare i tubi del refrigerante.

⚠ Avvertenza:

Quando si esegue il pompaggio del refrigerante, arrestare il compressore prima di scollegare i tubi del refrigerante.

- Se si scollegano i tubi del refrigerante mentre il compressore è in funzione e la valvola di arresto (valvola a sfera) è aperta, durante il ciclo frigorifero la pressione potrebbe giungere ad un livello estremamente alto in caso di aspirazione di aria, con il rischio di scoppio dei tubi e conseguenti lesioni personali, ecc.

9.4 Impostazione della temperatura della funzione di flash injection ZUBADAN

La funzione di flash injection ZUBADAN raggiunge alte prestazioni di riscaldamento a basse temperature esterne.

- Gli interruttori SW9-3 e SW9-4 che si trovano sulla scheda di controllo dell'unità esterna consentono l'impostazione della temperatura disponibile per la funzione di flash injection ZUBADAN come illustrato nella tabella indicata di seguito.

SW9-3	SW9-4	Temperatura esterna
OFF	OFF	3°C o meno (Impostazione predefinita)
OFF	ON	0°C o meno
ON	OFF	-3°C o meno
ON	ON	-6°C o meno

10. Controllo del sistema

10.1. Condizionatori d'aria

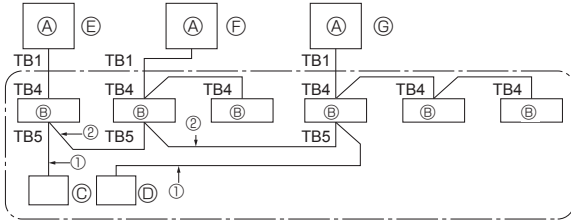
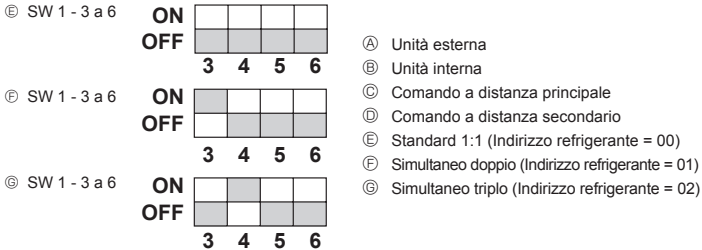


Fig. 10-1

* Impostare l'indirizzo refrigerante usando l'interruttore Dip dell'unità esterna.
 ① Collegamento dal comando a distanza
 Questo filo è collegato a TB5 (blocco terminali per comando a distanza) dell'unità interna (non polare).
 ② Quando si usano diversi raggruppamenti di sistema refrigerante.
 Si possono controllare come gruppo unico fino a 16 sistemi refrigerante usando il comando a distanza Slim MA.

Nota:

In un sistema con un unico refrigerante (doppio/triplo), non occorre il cablaggio ②.

SW1
 Tabella delle
 funzioni
 <SW1>



Funzione	Funzionamento secondo l'impostazione dell'interruttore	
	ON	OFF
1 Sbrinamento obbligatorio	Avvio	Normale
2 Azzeramento cronistoria errore	Azzeramento	Normale
3 Impostazione indirizzo sistema refrigerante	Impostazioni per gli indirizzi unità esterna da 0 a 15	
4		
5		
6		

10.2. Pompa di calore aria - acqua

Impostare l'indirizzo del refrigerante utilizzando il Dip switch dell'unità esterna.

Impostazioni della funzione di SW1

Impostazioni SW1	Indirizzo refrigerante	Impostazioni SW1	Indirizzo refrigerante
ON OFF 3 4 5 6 7	00	ON OFF 3 4 5 6 7	03
ON OFF 3 4 5 6 7	01	ON OFF 3 4 5 6 7	04
ON OFF 3 4 5 6 7	02	ON OFF 3 4 5 6 7	05

Nota:

a) È possibile collegare fino a 6 unità.

b) Le unità devono essere tutte dello stesso modello.

c) Per le impostazioni dei Dip switch dell'unità interna, consultare il manuale di installazione dell'unità interna.

11. Specifiche

Livello sonoro (misurato alla frequenza operativa nominale.)

			SHW80VHA	SHW112Y/VHA	SHW140YHA	SHW230YKA2
SPL	Riscaldamento	dB(A)	51	52	52	59
	Raffreddamento	dB(A)	50	51	51	58
PWL	Riscaldamento	dB(A)	69	70	70	75

1. Προφυλακτικά Μέτρα Ασφαλείας

1.2. Προετοιμασία για την εγκατάσταση (μεταφορά)

⚠ Προσοχή:

- Να είστε ιδιαίτερα προσεκτικοί κατά την μεταφορά ή την εγκατάσταση των μονάδων. Για τη μεταφορά της μονάδας, η οποία ζυγίζει τουλάχιστον 20 kg, χρειάζονται δύο ή και περισσότερα άτομα. Μην τη σηκώνετε από τις ταινίες συσκευασίας. Να φοράτε προστατευτικά γάντια κατά την αφαίρεση της μονάδας από την συσκευασία και κατά την μεταφορά της, επειδή μπορεί να τραυματίσετε τα χέρια σας πάνω στα πτερύγια ή στα άκρα άλλων εξαρτημάτων.
- Βεβαιωθείτε ότι τα υλικά συσκευασίας έχουν πεταχτεί σε ασφαλές μέρος. Τα υλικά συσκευασίας, όπως τα καρφιά και άλλα μεταλλικά ή ξύλινα μέρη, μπορεί να προκαλέσουν κοψίματα ή άλλους τραυματισμούς.

- Η βάση και τα σημεία στήριξης της εξωτερικής μονάδας πρέπει να ελέγχονται περιοδικά μήπως έχουν χαλαρώσει, σπάσει ή έχουν υποστεί άλλη ζημιά. Αν δεν διορθώσετε τις ζημιές αυτές, η μονάδα μπορεί να πέσει προκαλώντας ζημιά ή τραυματισμούς.
- Μην καθαρίζετε την εξωτερική μονάδα με νερό. Μπορεί να πάθετε ηλεκτροπληξία.
- Σφίξτε όλα τα περικόχλια εκχείλωσης σύμφωνα με τις προδιαγραφές χρησιμοποιώντας ένα δυναμόκλειδο. Αν τα σφίξτε πάρα πολύ, μπορεί να σπάσουν μετά από ορισμένο χρονικό διάστημα και να σημειωθεί διαρροή ψυκτικού.

1.3. Προετοιμασία για τις ηλεκτρικές εργασίες

⚠ Προσοχή:

- Φροντίστε να τοποθετήσετε διακόπτες κυκλώματος. Διαφορετικά, μπορεί να προκληθεί ηλεκτροπληξία.
- Για τις γραμμές τροφοδοσίας, χρησιμοποιήστε καλώδια του εμπορίου επαρκούς ισχύος. Διαφορετικά, μπορεί να προκληθεί βραχυκύκλωμα, υπερθέρμανση ή πυρκαγιά.
- Όταν συνδέετε τις γραμμές τροφοδοσίας, μην τεντώνετε υπερβολικά τα καλώδια. Αν οι συνδέσεις χαλαρώσουν, τα καλώδια μπορεί να σπάσουν με συνέπεια να προκληθεί υπερθέρμανση ή πυρκαγιά.

- Φροντίστε να γειώσετε τη μονάδα. Μην συνδέετε το καλώδιο γείωσης σε σωλήνες αερίου ή υγρού, κολώνες ρεύματος ή τηλεφωνικές γραμμές. Αν η μονάδα δεν είναι κατάλληλα γειωμένη, μπορεί να προκληθεί ηλεκτροπληξία.
- Χρησιμοποιήστε διακόπτες κυκλώματος (διακόπτης κυκλώματος βλάβης γείωσης, διακόπτης απομόνωσης κυκλώματος (ασφάλεια +B), και διακόπτης κυκλώματος σε χυτευτό κουτί) με την ενδεδειγμένη χωρητικότητα. Αν η χωρητικότητα του διακόπτη κυκλώματος είναι μεγαλύτερη από την ενδεδειγμένη, μπορεί να προκληθεί βλάβη ή πυρκαγιά.

1.4. Πριν τη δοκιμαστική λειτουργία (μόνο για κλιματιστικά)

⚠ Προσοχή:

- Ανοίξτε τον κεντρικό διακόπτη τροφοδοσίας 12 ώρες τουλάχιστον πριν την έναρξη της λειτουργίας. Η έναρξη λειτουργίας της μονάδας αμέσως αφού ανοίξετε τον κεντρικό διακόπτη τροφοδοσίας μπορεί να προκαλέσει σοβαρή ζημιά στα εσωτερικά της μέρη. Μην κλείνετε τον κεντρικό διακόπτη τροφοδοσίας την περίοδο λειτουργίας του κλιματιστικού.
- Πριν την έναρξη της λειτουργίας, ελέγξτε ότι όλα τα πλαίσια, οι διατάξεις ασφαλείας και άλλα προστατευτικά μέρη είναι σωστά τοποθετημένα. Μέρη που περιστρέφονται, έχουν υψηλή θερμοκρασία ή υψηλή τάση μπορεί να προκαλέσουν τραυματισμούς.

- Μην αγγίζετε τους διακόπτες με βρεγμένα χέρια. Μπορεί να πάθετε ηλεκτροπληξία.
- Μην αγγίζετε τους σωλήνες ψυκτικού με γυμνά χέρια όταν λειτουργεί το κλιματιστικό. Οι σωλήνες ψυκτικού είναι πολύ ζεστοί ή πολύ κρύοι ανάλογα με την κατάσταση του κυκλοφορούντος ψυκτικού μέσου. Αν αγγίξετε τους σωλήνες, μπορεί να πάθετε εγκαύματα ή κρουπαγήματα.
- Αφού σταματήσει να λειτουργεί το κλιματιστικό, περιμένετε τουλάχιστον πέντε λεπτά πριν κλείσετε τον κεντρικό διακόπτη τροφοδοσίας. Διαφορετικά, μπορεί να προκληθεί διαρροή ή βλάβη.

1.5. Χρήση εξωτερικής μονάδας με ψυκτικό R410A

⚠ Προσοχή:

- Χρησιμοποιήστε φωσφορούχο κρατέρωμα C1220 για τη σύνδεση των σωληνώσεων ψυκτικού, όταν έχετε χαλκοσωλήνες και σωλήνες κράματος χαλκού χωρίς ενώσεις. Βεβαιωθείτε ότι οι εσωτερικές επιφάνειες των σωλήνων είναι καθαρές και δεν περιέχουν επικίνδυνες προσμίξεις όπως θειικές ενώσεις, οξειδωτικά, ρινίσματα ή σκόνη. Χρησιμοποιείτε σωλήνες με το συνιστώμενο πάχος. (Ανατρέξτε στη 4.1.) Αν πρόκειται να χρησιμοποιήσετε ξανά παλιούς σωλήνες που περιείχαν ψυκτικό R22, προσέξτε τα παρακάτω.
- Αντικαταστήστε τα παλιά περικόχλια εκχείλωσης και εκχειλώστε ξανά τα διαπλατυσμένα τμήματα.
- Μην χρησιμοποιείτε σωλήνες με πολύ μικρό πάχος. (Ανατρέξτε στη 4.1.)
- Φυλάξτε τους σωλήνες που θα χρησιμοποιήσετε στην εγκατάσταση σε εσωτερικό χώρο και σφραγίστε και τα δύο άκρα των σωλήνων μέχρι να εκτελέσετε τις εργασίες χαλκοκόλλησης. (Μην βγάλετε τα γωνιακά ρακόρ κτλ. από τη συσκευασία τους.) Αν στις σωληνώσεις ψυκτικού μπου σκόνη, ρινίσματα ή υγρασία, υπάρχει κίνδυνος να προκληθεί αλλοίωση της ποιότητας του λαδιού ή βλάβη του συμπιεστή.
- Χρησιμοποιήστε λάδι εστέρα, λάδι αιθέρα ή αλκυλιοβενζόλη (μικρή ποσότητα) σαν ψυκτικό λάδι για την εφαρμογή στα διαπλατυσμένα τμήματα. Το ψυκτικό λάδι αν αναμιχθεί με ορυκτέλαιο, θα αλλοιωθεί.

- Μην χρησιμοποιείτε άλλο ψυκτικό από το R410A. Αν χρησιμοποιήσετε άλλο ψυκτικό, το χλώριο στο ψυκτικό μπορεί να προκαλέσει αλλοίωση στην ποιότητα του λαδιού.
- Χρησιμοποιήστε τα παρακάτω εργαλεία που προορίζονται ειδικά για χρήση με το ψυκτικό R410A. Τα παρακάτω εργαλεία είναι απαραίτητα για τη χρήση ψυκτικού R410A. Για τυχόν απορίες, απευθυνθείτε στον πλησιέστερο αντιπρόσωπο.

Εργαλεία (για R410A)	
Πολλαπλός μετρητής	Εργαλείο διαπλάτυσης
Σωλήνας πλήρωσης	Μετρητής διαστάσεων
Ανιχνευτής διαρροής αερίου	Σωλήνας αντλίας κενού
Δυναμόκλειδο	Ηλεκτρονικός ζυγός πλήρωσης ψυκτικού

- Χρησιμοποιείτε πάντα τα κατάλληλα εργαλεία. Αν στις σωληνώσεις ψυκτικού μπου σκόνη, ρινίσματα ή υγρασία, υπάρχει κίνδυνος να προκληθεί αλλοίωση του ψυκτικού λαδιού.
- Μην χρησιμοποιείτε κύλινδρο γόμωσης. Αν χρησιμοποιήσετε κύλινδρο γόμωσης, η σύνθεση του ψυκτικού μέσου θα αλλάξει και θα μειωθεί η απόδοσή του.

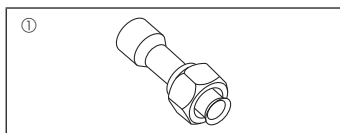


Fig. 1-1

1.6. Εξαρτήματα εξωτερικής μονάδας (Fig. 1-1) (SHW230)

Τα τμήματα που απεικονίζονται αριστερά είναι εξαρτήματα αυτής της μονάδας, τα οποία είναι επικολλημένα στο εσωτερικό από το καπάκι εξυπηρέτησης.

- ① Σύνδεσμος σωλήνα.....*1

2. Χώρος εγκατάστασης

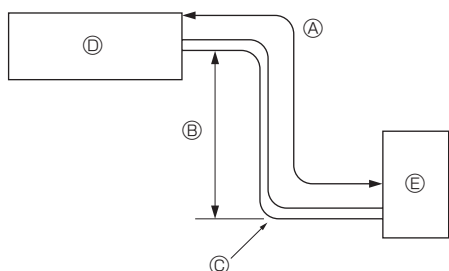


Fig. 2-1

2.1. Σωλήνες ψυκτικού (Fig. 2-1)

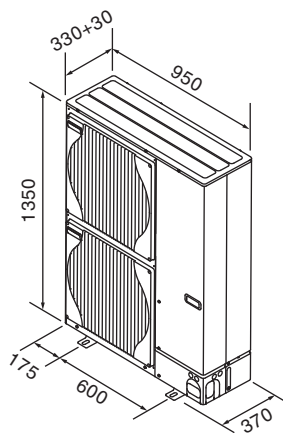
► Ελέγξτε ότι η υψομετρική διαφορά μεταξύ της εσωτερικής και της εξωτερικής μονάδας, το μήκος της σωληνώσεως για το ψυκτικό και ο αριθμός όπου κάμπτονται οι σωληνώσεις, βρίσκονται εντός των ορίων που καθορίζονται στον πίνακα πιο κάτω.

Μοντέλα	Ⓐ Μήκος σωληνώσεως (μία κατεύθυνση)	Ⓑ Υψομετρική διαφορά	Ⓒ Αριθμός κάμψεων (μία κατεύθυνση)
SHW80, 112, 140	2 m - 75 m	Μέγ. 30 m	Μέγ. 15
SHW230	2 m - 80 m	Μέγ. 30 m	Μέγ. 15

- Ο περιορισμός στη διαφορά ύψους καθορίζεται ανεξάρτητα από το ποια μονάδα, εσωτερική ή εξωτερική, έχει τοποθετηθεί υψηλότερα.
 - ⓐ Εσωτερική μονάδα
 - ⓑ Εξωτερική μονάδα

2. Χώρος εγκατάστασης

■ SHW80, 112, 140



■ SHW230

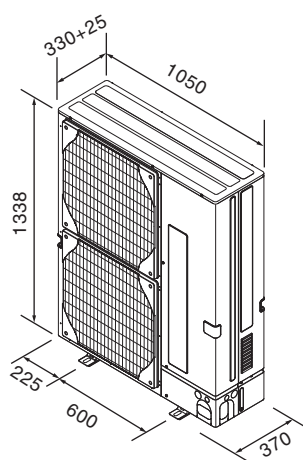


Fig. 2-2

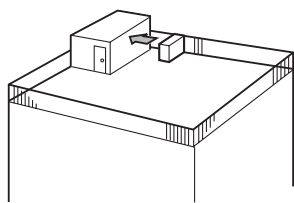


Fig. 2-3

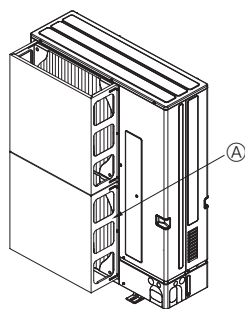


Fig. 2-4

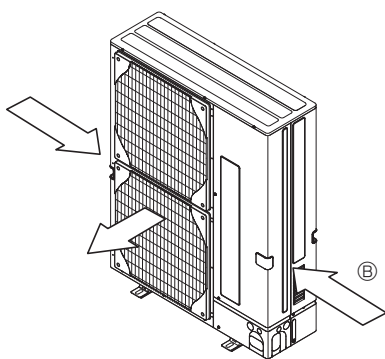


Fig. 2-5

2.2. Επιλογή σημείου εγκατάστασης εξωτερικής μονάδας

- Αποφύγετε σημεία άμεσα εκτεθειμένα στην ηλιακή ακτινοβολία ή σε άλλες πηγές θερμότητας.
- Επιλέξτε ένα σημείο στο οποίο ο θόρυβος που εκπέμπεται από τη μονάδα να μην ενοχλεί τους γείτονες.
- Επιλέξτε μια θέση που επιτρέπει την εύκολη σύνδεση των καλωδίων και των σωλήνων στην πηγή τροφοδοσίας και στην εσωτερική μονάδα.
- Αποφύγετε σημεία όπου υπάρχει κίνδυνος διαρροής, απελευθέρωσης, κυκλοφορίας ή συγκέντρωσης εύφλεκτων αερίων.
- Έχετε υπόψη σας ότι κατά τη λειτουργία του κλιματιστικού, μπορεί να τρέχει νερό από τη μονάδα.
- Επιλέξτε μια επίπεδη επιφάνεια η οποία να μπορεί να αντέξει το βάρος και τους κραδασμούς της μονάδας.
- Αποφύγετε σημεία όπου η μονάδα μπορεί να σκεπαστεί με χιόνι. Σε περιοχές όπου σημειώνονται δυνατές χιονοπτώσεις, πρέπει να παίρνετε ειδικές προφυλάξεις, όπως η ανύψωση της θέσης εγκατάστασης ή η τοποθέτηση κουκούλας στη θυρίδα εισαγωγής του αέρα, ώστε να μην μπλοκάρει με χιόνι και να αποφεύγεται η απευθείας πτώση του χιονιού. Σε αντίθετη περίπτωση, μπορεί να μειωθεί η ποσότητα της ροής του αέρα και να προκληθεί βλάβη.
- Αποφύγετε μέρη εκτεθειμένα σε λάδια, ατμούς ή θειικά αέρια.
- Χρησιμοποιείτε τις λαβές μεταφοράς της εξωτερικής μονάδας όταν πρόκειται να μετακινήσετε τη μονάδα. Αν μεταφέρετε τη μονάδα κρατώντας την από την κάτω πλευρά της, μπορεί να τραυματιστούν τα δάχτυλα ή τα χέρια σας.

2.3. Εξωτερικές διαστάσεις (Εξωτερική μονάδα) (Fig. 2-2)

2.4. Εξαερισμός και χώρος συντήρησης

2.4.1. Εγκατάσταση σε σημείο εκτεθειμένο στον άνεμο

Όταν η εγκατάσταση της εξωτερικής μονάδας γίνεται σε στέγη ή σε άλλη θέση που δεν είναι προστατευμένη από τον άνεμο, τα στόμια εξαγωγής του αέρα πρέπει να τοποθετούνται με τρόπο ώστε να μην είναι άμεσα εκτεθειμένα σε δυνατούς ανέμους. Όταν δυνατός αέρας φυσά απευθείας στο στόμιο εξαγωγής του αέρα, εμποδίζεται η κανονική ροή του αέρα και υπάρχει κίνδυνος βλάβης.

Στη συνέχεια, βλέπετε τρία παραδείγματα προφυλάξεων από δυνατούς ανέμους.

- ① Τοποθετήστε τη μονάδα ώστε το στόμιο εξαγωγής του αέρα να είναι στραμμένο προς τον πλησιέστερο διαθέσιμο τοίχο και να απέχει περίπου 50 cm. (Fig. 2-3)
- ② Τοποθετήστε έναν προαιρετικό οδηγό αέρα, αν πρόκειται να εγκαταστήσετε τη μονάδα σε σημεία όπου υπάρχει το ενδεχόμενο να φυσούν απευθείας στο στόμιο εξαγωγής του αέρα πολύ δυνατοί άνεμοι κτλ. (Fig. 2-4)
 - Ⓐ Οδηγός προστατευτικού αέρα
- ③ Εγκαταστήστε τη μονάδα με τρόπο ώστε ο αέρας που βγαίνει από το στόμιο εξαγωγής να φυσά κάτω σε σχέση με την κατεύθυνση του ανέμου, εάν αυτό είναι δυνατό. (Fig. 2-5)
 - Ⓑ Κατεύθυνση ανέμου

2.4.2. Εγκατάσταση μονής εξωτερικής μονάδας (Ανατρέξτε στην τελευταία σελίδα)

Οι ελάχιστες διαστάσεις έχουν ως εξής, εκτός αν επισημαίνεται η μέγ., που σημαίνει μέγιστες διαστάσεις.

Για κάθε περίπτωση ανατρέξτε στους αριθμούς.

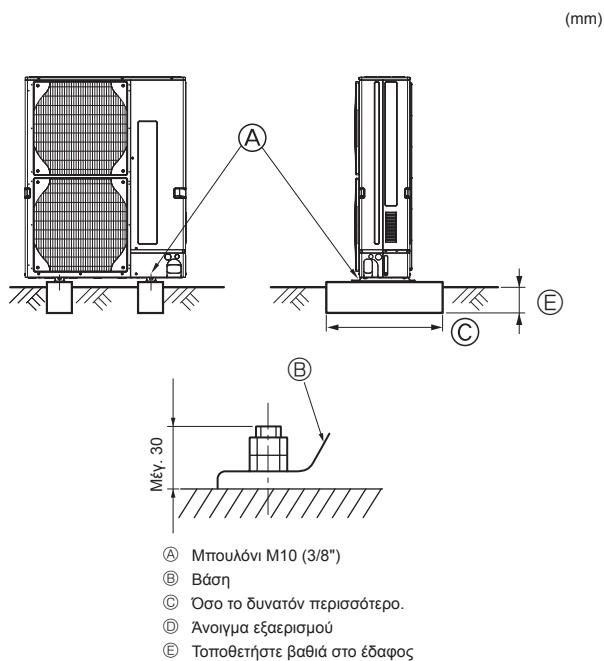
- ① Εμπόδια στην πίσω πλευρά μόνο (Fig. 2-6)
- ② Εμπόδια στην πίσω και επάνω πλευρά μόνο (Fig. 2-7)
- ③ Εμπόδια στην πίσω και στις δύο πλάινές πλευρές μόνο (Fig. 2-8)
- ④ Εμπόδια στην μπροστινή πλευρά μόνο (Fig. 2-9)
 - * Όταν χρησιμοποιείτε τους προαιρετικούς οδηγούς στο στόμιο εξαγωγής του αέρα, η απόσταση πρέπει να 500 mm ή περισσότερο.
- ⑤ Εμπόδια στην μπροστινή και την πίσω πλευρά μόνο (Fig. 2-10)
 - * Όταν χρησιμοποιείτε τους προαιρετικούς οδηγούς στο στόμιο εξαγωγής του αέρα, η απόσταση πρέπει να 500 mm ή περισσότερο.
- ⑥ Εμπόδια στην πίσω, στις δύο πλάινές και στην επάνω πλευρά μόνο (Fig. 2-11)
 - * Μην χρησιμοποιείτε τους προαιρετικούς οδηγούς στο στόμιο εξαγωγής του αέρα για κατεύθυνση της ροής προς τα πάνω.

2.4.3. Εγκατάσταση πολλαπλών εξωτερικών μονάδων (Ανατρέξτε στην τελευταία σελίδα)

Αφήστε ελεύθερο χώρο 10 mm ή περισσότερο μεταξύ των μονάδων.

- ① Εμπόδια στην πίσω πλευρά μόνο (Fig. 2-12)
- ② Εμπόδια στην πίσω και επάνω πλευρά μόνο (Fig. 2-13)
 - * Δεν πρέπει να εγκαθιστάτε περισσότερες από τρεις μονάδες στη σειρά. Επιπλέον, πρέπει να αφήνετε ελεύθερο χώρο μεταξύ τους όπως δείχνει η εικόνα.
 - * Μην χρησιμοποιείτε τους προαιρετικούς οδηγούς στο στόμιο εξαγωγής του αέρα για κατεύθυνση της ροής προς τα πάνω.
- ③ Εμπόδια στην μπροστινή πλευρά μόνο (Fig. 2-14)
 - * Όταν χρησιμοποιείτε τους προαιρετικούς οδηγούς στο στόμιο εξαγωγής του αέρα, η απόσταση πρέπει να 1000 mm ή περισσότερο.
- ④ Εμπόδια στην μπροστινή και την πίσω πλευρά μόνο (Fig. 2-15)
 - * Όταν χρησιμοποιείτε τους προαιρετικούς οδηγούς στο στόμιο εξαγωγής του αέρα, η απόσταση πρέπει να 1000 mm ή περισσότερο.
- ⑤ Απλή παράλληλη διάταξη μονάδων (Fig. 2-16)
 - * Όταν χρησιμοποιείτε τους προαιρετικούς οδηγούς στο στόμιο εξαγωγής του αέρα για κατεύθυνση της ροής προς τα πάνω, η απόσταση είναι 1000 mm ή περισσότερο.
- ⑥ Πολλαπλή παράλληλη διάταξη μονάδων (Fig. 2-17)
 - * Όταν χρησιμοποιείτε τους προαιρετικούς οδηγούς στο στόμιο εξαγωγής του αέρα για κατεύθυνση της ροής προς τα πάνω, η απόσταση είναι 1500 mm ή περισσότερο.
- ⑦ Διάταξη μονάδων σε στοίβα (Fig. 2-18)
 - * Οι μονάδες μπορούν να τοποθετηθούν και σε στοίβα (μέχρι δύο μονάδες).
 - * Δεν μπορείτε να τοποθετήσετε στη σειρά περισσότερες από δύο στοίβες. Επιπλέον, πρέπει να αφήνετε ελεύθερο χώρο μεταξύ τους όπως δείχνει η εικόνα.

3. Εγκατάσταση της εξωτερικής μονάδας



• Η μονάδα πρέπει να τοποθετηθεί σε σταθερή και επίπεδη επιφάνεια για την αποφυγή θορύβων κατά τη λειτουργία. (Fig. 3-1)

<Χαρακτηριστικά θεμελίωσης>

Μπουλόνι θεμελίωσης	M10 (3/8")
Πάχος σκυροδέματος	120 mm
Μήκος μπουλονιού	70 mm
Βάρος-ικανότητα συγκράτησης	320 kg

- Βεβαιωθείτε ότι το μήκος του μπουλονιού θεμελίωσης είναι το πολύ 30 mm από την κάτω επιφάνεια της βάσης.
- Στερεώστε καλά τη βάση της μονάδας με τέσσερα μπουλόνια θεμελίωσης M10 σε σταθερή επιφάνεια.

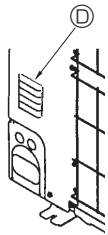
Εγκατάσταση της εξωτερικής μονάδας

- Μην φράσσετε το άνοιγμα εξαερισμού. Σε αντίθετη περίπτωση, η λειτουργία της μονάδας παρεμποδίζεται και μπορεί να προκληθεί ζημιά.
- Εκτός από τη βάση της μονάδας, χρησιμοποιήστε και τις οπές στην πίσω πλευρά της μονάδας για τη σύνδεση συρμάτων στερέωσης κτλ., εφόσον χρειάζεται για την εγκατάσταση της μονάδας. Χρησιμοποιήστε λαμαρινόβιδες (Ø5 × 15 mm ή λιγώτερο) και κάντε την εγκατάσταση επιτόπου.

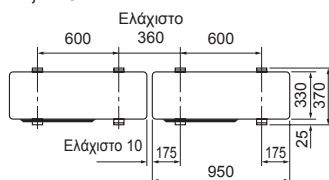
⚠ Προειδοποίηση:

- Η μονάδα πρέπει να εγκατασταθεί και να στερεωθεί καλά σε μια επιφάνεια που μπορεί να αντέξει το βάρος της. Αν η μονάδα τοποθετηθεί σε ασταθή επιφάνεια, μπορεί να πέσει και να προκαλέσει τραυματισμούς.
- Η εγκατάσταση της μονάδας πρέπει να γίνει σύμφωνα με τις οδηγίες προκειμένου να ελαχιστοποιηθεί ο κίνδυνος ζημιάς από σεισμούς, τυφώνες ή δυνατούς ανέμους. Όταν η μονάδα δεν είναι σωστά εγκατεστημένη, μπορεί να πέσει και να προκαλέσει ζημιά ή τραυματισμό.

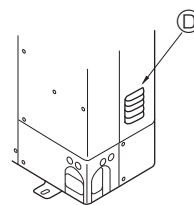
■ SHW80, 112, 140



■ SHW80, 112, 140



■ SHW230



■ SHW230

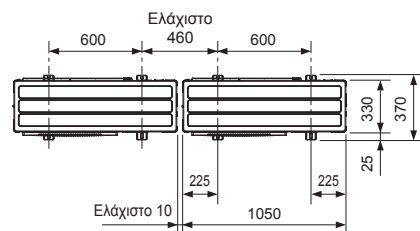


Fig. 3-1

4. Εγκατάσταση της σωλήνωσης ψυκτικού υγρού

4.1. Προφυλάξεις για τις συσκευές που χρησιμοποιούν ψυκτικό R410A

- Ανατρέξτε στην ενότητα 1.5. για προφυλάξεις που δεν περιλαμβάνονται παρακάτω σχετικά με τη χρήση εξωτερικής μονάδας με ψυκτικό R410A.
- Χρησιμοποιήστε λάδι εστέρα, λάδι αιθέρα ή αλκυλιοβενζόλη (μικρή ποσότητα) σαν ψυκτικό λάδι για την εφαρμογή στα διαπλατυσμένα τμήματα.
- Χρησιμοποιήστε φωσφορούχο κρατέρωμα C1220 για τη σύνδεση των σωληνώσεων ψυκτικού, όταν έχετε χαλκοσωλήνες και σωλήνες κράματος χαλκού χωρίς ενώσεις. Χρησιμοποιείτε σωλήνες ψυκτικού με πάχος σύμφωνα με τις προδιαγραφές στον παρακάτω πίνακα. Βεβαιωθείτε ότι οι εσωτερικές επιφάνειες των σωληνών είναι καθαρές και δεν περιέχουν επικίνδυνες προσμίξεις όπως θεικές ενώσεις, οξειδωτικά, ρινίσματα ή σκόνη. Να εφαρμόζεται πάντα μη οξειδωτική χαλκοκόλληση κατά τη χαλκοκόλληση των σωληνών, διαφορετικά θα καταστραφεί ο συμπιεστής.

⚠ Προειδοποίηση:

Κατά την εγκατάσταση ή τη μετακίνηση ή κατά τη συντήρηση της εξωτερικής μονάδας, χρησιμοποιείτε μόνο το ενδεδειγμένο ψυκτικό (R410A) για την πλήρωση των σωληνών ψυκτικού. Μην το αναμιγνύετε με άλλο ψυκτικό μέσο και μην αφήνετε τον αέρα να παραμένει μέσα στις γραμμές. Εάν αναμιχθεί αέρας με το ψυκτικό, ενδέχεται να προκαλέσει ασυνήθιστα υψηλή πίεση στη γραμμή ψυκτικού, με ενδεχόμενο έκρηξης και άλλους κινδύνους. Η χρήση ψυκτικού διαφορετικού από αυτό που καθορίζεται για το σύστημα θα προκαλέσει μηχανική βλάβη ή δυσλειτουργία του συστήματος ή ζημιά στο σύστημα. Στη χειρότερη περίπτωση, μια τέτοια ενέργεια ενδέχεται να υπονομεύσει την ασφάλεια του προϊόντος.

Μέγεθος σωλήνα (mm)	φ6,35	φ9,52	φ12,7	φ15,88	φ19,05	φ22,2	φ25,4	φ28,58
Πάχος (mm)	0,8	0,8	0,8	1,0	1,0	1,0	1,0	1,0

- Μην χρησιμοποιείτε σωλήνες με πάχος μικρότερο από τις προδιαγραφές του παραπάνω πίνακα.
- Χρησιμοποιήστε σωλήνες 1/2 Η ή Η εάν η διάμετρος είναι 19,05 mm ή μεγαλύτερη.

4. Εγκατάσταση της σωληνώσεως ψυκτικού υγρού

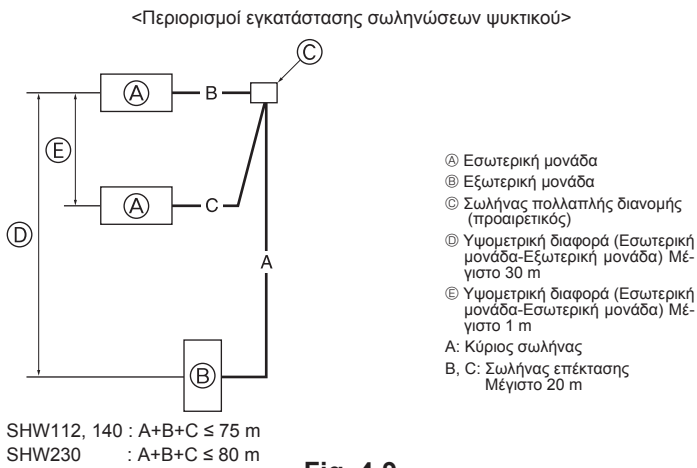


Fig. 4-9

5. Εργασίες Σωληνώσεων Αποχέτευσης

Σύνδεση σωλήνα αποχέτευσης εξωτερικής μονάδας

Η σειρά PUHZ-SHW δεν μπορεί να συνδεθεί με σωλήνα αποχέτευσης λόγω των προδιαγραφών περί ψυχρών περιοχών.

6. Σωληνώσεις νερού (μόνο για αντλία θερμότητας αέρα-νερού)

Ελάχιστη ποσότητα νερού

Η ακόλουθη ποσότητα νερού είναι απαραίτητη στο κύκλωμα νερού.

Μοντέλο	Ελάχιστη ποσότητα νερού (L)
SHW80	34
SHW112	48
SHW140	60
SHW230	99

Μην ξεχάσετε να λάβετε μέτρα προστασίας από τον παγετό, όπως είναι η χρήση αντιψυκτικού διαλύματος, κατά τη χρήση της μονάδας στη λειτουργία ψύξης σε περιβάλλον με χαμηλή θερμοκρασία (κάτω από τους 0 °C).

7. Ηλεκτρικές εργασίες

7.1. Εξωτερική μονάδα (Fig. 7-1, Fig. 7-2)

- 1 Αφαιρέστε το πλαίσιο συντήρησης.
- 2 Συνδέστε τα καλώδια που αναφέρονται στην Fig. 7-1 και στην Fig. 7-2.

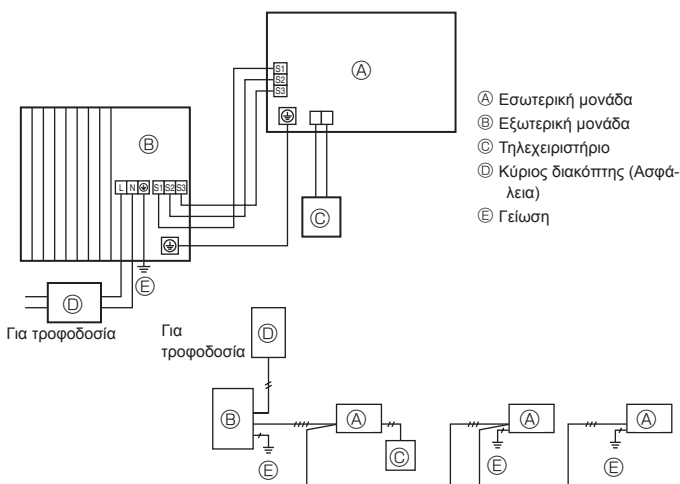


Fig. 7-1

Σημείωση: Μόνο για αντλία θερμότητας αέρα-νερού
 Όταν συνδέονται πολλαπλές εσωτερικές μονάδες (Hydro boxes-Κουτιά μεταφοράς θερμότητας) στην εξωτερική μονάδα, καλωδιώστε το PCB (πλακέτα τυπωμένου κυκλώματος) της κάθε εσωτερικής μονάδας με την εξωτερική μονάδα (S1, S2, S3).

Δεν είναι δυνατή η σύνδεση των PCBs (πλακέτες τυπωμένου κυκλώματος) πολλαπλών εσωτερικών μονάδων στην εξωτερική μονάδα.

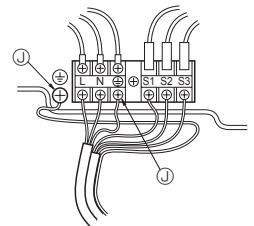
4.7. Για διπλή/τριπλή/τετραπλή εγκατάσταση (Fig. 4-9) (μόνο για κλιματιστικά)

- Όταν αυτή η μονάδα χρησιμοποιείται ως "ΠΟΛΥΔΙΑΙΡΟΥΜΕΝΟ ΣΥΣΤΗΜΑ", εγκαταστήστε τις σωληνώσεις ψυκτικού συνυπολογίζοντας τους περιορισμούς που αναγράφονται στο σχέδιο στα αριστερά. Επιπλέον, αν πρόκειται να υπερβείτε τους περιορισμούς ή αν πρόκειται να γίνουν συνδυασμοί εσωτερικών και εξωτερικών μονάδων, ανατρέξτε στις οδηγίες εγκατάστασης της εσωτερικής μονάδας για λεπτομέρειες σχετικά με την εγκατάσταση.

Εξωτερική μονάδα	Επιτρεπόμενο συνολικό μήκος σωληνώσεων A+B+C	Μήκος σωληνώσεων χωρίς πλήρωση A+B+C
SHW112, 140	75 m ή λιγότερο	30 m ή λιγότερο
SHW230	80 m ή λιγότερο	30 m ή λιγότερο

Εξωτερική μονάδα	B-C	Αριθμός κάμψεων
SHW112, 140, 230	8 m ή λιγότερο	Innerhalb 15

■ SHW80, 112V



■ SHW112 - 230V

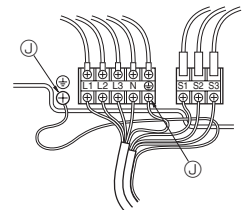


Fig. 7-2

- Ⓕ Πίνακας ακροδεκτών
 Ⓖ Πίνακας ακροδεκτών σύνδεσης εσωτερικής/εξωτερικής μονάδας (S1, S2, S3)
 Ⓗ Κάλυμμα εξυπηρέτησης
 Ⓙ Σφικτήρας
 Ⓚ Ακροδέκτης γείωσης

* Συνδέστε τα καλώδια ώστε να μην έρχονται σε επαφή με το κέντρο του καλύμματος συντήρησης ή με το βαλβίδα αερίου.

Σημείωση:

Αν αφαιρεθεί το προστατευτικό φύλλο του πίνακα ηλεκτρικών συνδέσεων κατά την επισκευή ή τη συντήρηση, μην ξεχάσετε να το επανατοποθετήσετε.

⚠ Προσοχή:

Φροντίστε να εγκαταστήσετε την Γραμμή-N. Χωρίς την Γραμμή-N μπορεί να προκληθεί βλάβη στη μονάδα.

7. Ηλεκτρικές εργασίες

7.2. Υπαίθρια καλωδίωση

Μοντέλο εξωτερικής μονάδας	SHW80V	SHW112V	SHW112, 140Y	SHW230Y	
Εξωτερική μονάδα Ηλεκτρική παροχή	~N (Μονή), 50 Hz, 230 V	~N (Μονή), 50 Hz, 230 V	3N~ (3 φάσεων - 4 καλώδια), 50 Hz, 400 V	3N~ (3 φάσεων - 4 καλώδια), 50 Hz, 400 V	
Ικανότητα εισόδου εξωτερικής μονάδας Κεντρικός διακόπτης (Ασφάλεια)	*1 32 A	40 A	16 A	25 A	
Καλωδίωση Καλώδιωση No. x μέγεθος (mm²)	Εξωτερική μονάδα Ηλεκτρική παροχή	3 x Ελάχιστο. 4	5 x Ελάχιστο. 1,5	5 x Ελάχιστο. 4	
	Εσωτερική μονάδα-Εξωτερική μονάδα	*2 3 x 1,5 (πολικότητα)	3 x 1,5 (πολικότητα)	3 x 1,5 (πολικότητα) Καλώδιο μήκους 50 m : 3 x 4 (πολικότητα)/ Καλώδιο μήκους 80 m : 3 x 6 (πολικότητα)	
	Γείωση εσωτερικής μονάδας - εξωτερικής μονάδας	*2 1 x Ελάχιστο. 1,5	1 x Ελάχιστο. 1,5	1 x Ελάχιστο. 1,5	1 x Ελάχιστο. 2,5
	Σύνδεση τηλεχειριστήριου/εσωτερικής μονάδας	*3 2 x 0,3 (χωρίς πολικότητα)	2 x 0,3 (χωρίς πολικότητα)	2 x 0,3 (χωρίς πολικότητα)	2 x 0,3 (χωρίς πολικότητα)
Ονομαστική ισχύς κυκλώματος	Εξωτερική μονάδα L-N (Μονή)	*4 230 VAC	230 VAC	230 VAC	
	Εξωτερική μονάδα L1-N, L2-N, L3-N (3 φάσεων)	*4 230 VAC	230 VAC	230 VAC	
	Εσωτερική μονάδα-Εξωτερική μονάδα S1-S2	*4 230 VAC	230 VAC	230 VAC	
	Εσωτερική μονάδα-Εξωτερική μονάδα S2-S3	*4 24 VDC	24 VDC	24 VDC	
Σύνδεση τηλεχειριστήριου/εσωτερικής μονάδας	*4 12 VDC	12 VDC	12 VDC	12 VDC	

*1. Χρησιμοποιήστε διακόπτη διαρροής προς γη (NV) με διάκενο τουλάχιστον 3,0 mm σε κάθε πόλο. Βεβαιωθείτε ότι ο διακόπτης διαρροής είναι συμβατός με υψηλές συχνότητες. Πάντα να χρησιμοποιείτε διακόπτη διαρροής συμβατό με υψηλές συχνότητες καθώς αυτή η μονάδα είναι εξοπλισμένη με αναστροφή. Η χρήση ανεπαρκούς διακόπτη ενδέχεται να οδηγήσει σε λανθασμένη λειτουργία του αναστροφέα.

*2. (SHW80 - 140)

Μέγ. 45 m

Εάν χρησιμοποιείτε 2,5 mm², Μέγ. 50 m

Εάν χρησιμοποιείτε 2,5 mm² και S3 ξεχωριστά, Μέγ. 80 m

(SHW230)

Μέγιστο 80 m Το μέγιστο συνολικό μήκος συμπεριλαμβανομένων όλων των εσωτερικών/ εσωτερικών συνδέσεων είναι 80 m.

* Χρησιμοποιήστε ένα καλώδιο για τους ακροδέκτες S1 και S2 και ένα άλλο για τον ακροδέκτη S3 όπως φαίνεται στην εικόνα.

*3. Το τηλεχειριστήριο παραδίδεται με καλώδιο μήκους 10 m.

*4. Οι τιμές ΔΕΝ λαμβάνονται πάντοτε ως προς τη γείωση.

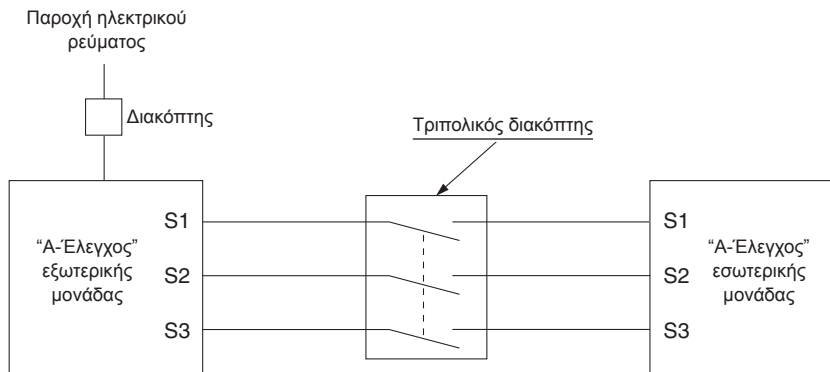
Ο ακροδέκτης S3 έχει διαφορά τάσης 24 VDC ως προς τον ακροδέκτη S2. Μεταξύ των ακροδεκτών S3 και S1, δεν υπάρχει ηλεκτρική μόνωση από το μετασχηματιστή ή άλλη συσκευή.



Σημειώσεις: 1. Οι διαστάσεις των καλωδίων πρέπει να συμμορφώνονται με τον ισχύοντα τοπικό και εθνικό κώδικα.

2. Το καλώδιο τροφοδοσίας και τα καλώδια σύνδεσης εσωτερικής/εξωτερικής μονάδας δεν θα πρέπει να είναι το ίδιο ή περισσότερο ελαφριά από το εύκαμπτο καλώδιο με περίβλημα πολυχλωροπρενίου (σχέδιο 60245 IEC 57).

3. Χρησιμοποιήστε καλώδιο γείωσης μεγαλύτερο μήκους από τα άλλα καλώδια ώστε να μην αποσυνδέεται σε περίπτωση που τεντωθεί.



⚠ Προειδοποίηση:

- Σε περίπτωση καλωδίωσης ελέγχου Α, υπάρχει υψηλό δυναμικό τάσης στον ακροδέκτη S3 που προκαλείται από τη σχεδίαση του ηλεκτρικού κυκλώματος που δεν παρέχει μόνωση μεταξύ της γραμμής τροφοδοσίας και της γραμμής μετάδοσης του σήματος. Επομένως, κλείνετε πάντα την κεντρική τροφοδοσία πριν την εκτέλεση εργασιών συντήρησης. Και μην αγγίζετε τους ακροδέκτες S1, S2, S3 όταν αποκατασταθεί η τροφοδοσία. Εάν πρέπει να χρησιμοποιηθεί αποδέκτης μεταξύ της εσωτερικής και της εξωτερικής μονάδας, χρησιμοποιήστε αποδέκτη 3 πόλων.
- Αν η θερμοκρασία είναι - 20°C χρειάζονται τουλάχιστον 12 ώρες σε κατάσταση αναμονής για να μπορέσει να λειτουργήσει, ώστε να ζεσταθούν οι ηλεκτρικές συνδέσεις.

Ποτέ μη συγκολλήσετε το καλώδιο τροφοδοσίας ή το καλώδιο σύνδεσης εσωτερικής-εξωτερικής μονάδας, διαφορετικά μπορεί να προκληθεί καπνός, πυρκαγιά ή σφάλμα επικοινωνίας.

ΚΑΛΩΔΙΟ ΣΥΝΔΕΣΗΣ ΕΣΩΤΕΡΙΚΗΣ-ΕΞΩΤΕΡΙΚΗΣ ΜΟΝΑΔΑΣ (SHW230)

Διατομή καλωδίου	Μέγεθος κλώνου (mm²)	Πλήθος κλώνων	Πολικότητα	L (m)*6
Κυκλικό	2,5	3	Δεξιόστροφα : S1-S2-S3 * Προσέξτε την κίτρινη και πράσινη ράβδωση	(30) *2
Επίπεδο	2,5	3	Δεν ισχύει (Επειδή ο κεντρικός κλώνος δεν έχει περίβλημα)	Δεν ισχύει *5
Επίπεδο	1,5	4	Από αριστερά προς τα δεξιά : S1-S2-S3	(18) *3
Κυκλικό	2,5	4	Δεξιόστροφα : S1-S2-S3-Ανοικτό * Συνδέστε τα S1 και S3 στην αντίθετη γωνία	(30) *4

*1 : Τα καλώδια ηλεκτρικής παροχής των συσκευών δεν πρέπει να έχουν μικρότερο βάρος από τις προδιαγραφές των προτύπων 60245 IEC ή 227 IEC.

*2 : Στην περίπτωση που υπάρχει διαθέσιμο καλώδιο με κίτρινη και πράσινη ράβδωση.

*3 : Σε περίπτωση σύνδεσης με κανονική πολικότητα (S1-S2-S3), το μέγεθος κλώ- νου είναι 1,5 mm².

*4 : Σε περίπτωση σύνδεσης με κανονική πολικότητα (S1-S2-S3).

*5 : Εάν τα επίπεδα καλώδια είναι συνδεδεμένα όπως σε αυτή την εικόνα, μπορούν να έχουν μήκος μέχρι 30 μέτρα.

*6 : Το αναφερόμενο μήκος καλωδίου χρησιμεύει μόνο για αναφορά.

Μπορεί να διαφέρει ανάλογα με τις συνθήκες της εγκατάστασης, υγρασία ή υλι- κά κτλ.



Προσέξτε να συνδέσετε τα εσωτερικά-εξωτερικά καλώδια σύνδεσης κατευθύνοντας τις μονάδες (χωρίς ενδιάμεση σύνδεση).

Οι ενδιάμεσες συνδέσεις μπορεί να οδηγήσουν σε σφάλματα επικοινωνίας αν εισχωρήσει νερό στα καλώδια και προκαλέσει ανεπαρκή μόνωση γείωσης ή κακή ηλεκτρική επαφή στο σημείο της ενδιάμεσης σύνδεσης.

8. Δοκιμαστική λειτουργία (μόνο για κλιματιστικά)

8.1. Πριν από τη δοκιμαστική λειτουργία

- ▶ Μετά την εγκατάσταση και αφού τελειώσετε με την καλωδίωση και τη σωλήνωση της εσωτερικής και της εξωτερικής μονάδας, ελέγξτε για τυχόν διαρροή ψυκτικού, χαλαρά καλώδια ηλεκτρικής παροχής ή καλωδίωσης ελέγχου, λανθασμένη πολικότητα ή αποσύνδεση μίας από τις φάσεις της παροχής.
- ▶ Χρησιμοποιήστε ένα μεγόμετρο τάσης 500 V για να ελέγξετε ότι η αντίσταση μεταξύ των τερματικών της ηλεκτρικής παροχής και της γείωσης είναι τουλάχιστο 1 MΩ (μεγαώμ).
- ▶ Μην εκτελέσετε αυτή τη δοκιμή στα τερματικά της καλωδίωσης ελέγχου (κύκλωμα χαμηλής τάσης).

⚠ Προειδοποίηση:

Μη χρησιμοποιήσετε την εξωτερική μονάδα αν η αντίσταση μόνωσης είναι μικρότερη από 1 MΩ.

Αντίσταση μόνωσης

Μετά την εγκατάσταση ή αφού έχετε αποσυνδέσει το κλιματιστικό από την πηγή τροφοδοσίας για μεγάλο χρονικό διάστημα, η αντίσταση της μόνωσης θα πέσει κάτω από 1 MΩ εξαιτίας της συσσώρευσης ψυκτικού στο συμπιεστή. Αυτό δεν αποτελεί βλάβη. Εκτελέστε τις παρακάτω εργασίες.

1. Απομακρύνετε τα καλώδια από το συμπιεστή και μετρήστε την αντίσταση μόνωσης του συμπιεστή.
2. Αν η αντίσταση της μόνωσης είναι κάτω από 1 MΩ, ο συμπιεστής έχει βλάβη ή η αντίσταση έπεσε εξαιτίας της συσσώρευσης ψυκτικού στο συμπιεστή.
3. Αφού συνδέσετε τα καλώδια στο συμπιεστή, ο συμπιεστής θα αρχίσει να θερμαίνεται μόλις τροφοδοτηθεί με ρεύμα. Αφού τροφοδοτηθεί με ρεύμα για τους χρόνους που αναφέρονται παρακάτω, μετρήστε ξανά την αντίσταση της μόνωσης.

- Η αντίσταση μόνωσης πέφτει εξαιτίας της συσσώρευσης ψυκτικού στο συμπιεστή. Η αντίσταση θα ανέβει και πάλι πάνω από 1 MΩ αφού ο συμπιεστής θερμανθεί για 4 ώρες. (Ο χρόνος που απαιτείται για τη θέρμανση του συμπιεστή ποικίλλει ανάλογα με τις συνθήκες του περιβάλλοντος και τη συσσώρευση ψυκτικού.)
 - Για να δουλέψει ο συμπιεστής με συσσωρευμένο ψυκτικό, πρέπει πρώτα να θερμανθεί τουλάχιστον 12 ώρες για να αποτραπεί ο κίνδυνος βλάβης.
4. Αν η αντίσταση της μόνωσης ανέβει πάνω 1 MΩ, ο συμπιεστής δεν έχει βλάβη.

⚠ Προσοχή:

- Ο συμπιεστής δεν θα λειτουργήσει εάν η φάση της ηλεκτρικής παροχής δεν είναι σωστή.
- Ανοίξτε τον διακόπτη τροφοδοσίας τουλάχιστον 12 ώρες πριν την έναρξη λειτουργίας.
- Αρχίζοντας τη λειτουργία της συσκευής αμέσως μετά το άνοιγμα του κεντρικού διακόπτη τροφοδοσίας, ενδέχεται να προκληθεί σοβαρή ζημιά σε εσωτερικά τμήματα. Κατά την εποχή διάρκειας λειτουργίας της συσκευής, αφήστε τον διακόπτη τροφοδοσίας αναμμένο.

▶ Πρέπει επίσης να ελέγξετε τα παρακάτω.

- Η εξωτερική μονάδα δεν έχει βλάβη. Οι ενδεικτικές λυχνίες LED1 και LED2 στον πίνακα ελέγχου της εξωτερικής μονάδας αναβοσβήνουν όταν η εξωτερική μονάδα παρουσιάζει βλάβη.
- Οι ανασταλτικές βαλβίδες και της γραμμής υγρού και της γραμμής αερίου είναι εντελώς ανοικτές.
- Ένα προστατευτικό φύλλο καλύπτει την επιφάνεια των κωδικοδιακοπών στον πίνακα ελέγχου της εξωτερικής μονάδας. Αφαιρέστε το προστατευτικό φύλλο για να μπορείτε να αλλάξετε ευκολότερα θέση στους διακόπτες.

8.2. Δοκιμαστική λειτουργία

8.2.1. Χρησιμοποιώντας SW4 στην εξωτερική μονάδα

SW4-1	ON	Λειτουργία ψύξης
SW4-2	OFF	
SW4-1	ON	Λειτουργία θέρμανσης
SW4-2	ON	

* Αιού κάνετε τη δοκιμαστική λειτουργία, ρυθμίστε τον διακόπτη SW4-1 στη θέση OFF.

- Μετά την τροφοδοσία με ρεύμα, ίσως ακουστεί ένας σιγανός ήχος κλικ από την εσωτερική μονάδα. Η ηλεκτρονική βαλβίδα εκτόνωσης ανοίγει και κλείνει. Αυτό δεν σημαίνει ότι η μονάδα έχει βλάβη.
- Λίγα δευτερόλεπτα μετά τη λειτουργία του συμπιεστή, ίσως ακουστεί ένας μεταλλικός ήχος από την εσωτερική μονάδα. Ο ήχος αυτός προέρχεται από τη βαλβίδα ελέγχου εξαιτίας της μικρής διαφοράς πίεσης στους σωλήνες. Αυτό δεν σημαίνει ότι η μονάδα έχει βλάβη.

Ο τρόπος λειτουργίας της μονάδας κατά τη δοκιμαστική λειτουργία δεν αλλάζει με τον κωδικοδιακόπτη SW4-2 ενώ εκτελείται η δοκιμαστική λειτουργία. (Για να αλλάξετε τον τρόπο λειτουργίας της μονάδας κατά τη δοκιμαστική λειτουργία, διακόψτε τη δοκιμαστική λειτουργία με το διακόπτη SW4-1. Αφού αλλάξετε τον τρόπο λειτουργίας, επαναλάβετε τη δοκιμαστική λειτουργία της μονάδας με το διακόπτη SW4-1.)

8.2.2. Χρήση του τηλεχειριστηρίου

Ανατρέξτε στο εγχειρίδιο εγκατάστασης της εσωτερικής μονάδας.

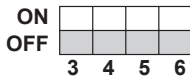
Σημείωση :

Περιστσιακά, ο ατμός που παράγεται από την διαδικασία της απόψυξης μπορεί να φαίνεται ότι βγαίνει ως καπνός από την εξωτερική μονάδα.

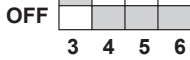
10. Έλεγχος συστήματος

10.1. Κλιματιστικά

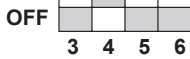
Ⓒ SW 1 - 3 έως 6



Ⓔ SW 1 - 3 έως 6



Ⓒ SW 1 - 3 έως 6



- Ⓐ Εξωτερική μονάδα
- Ⓑ Εσωτερική μονάδα
- Ⓒ Κεντρικό τηλεχειριστήριο
- Ⓓ Δευτερεύων τηλεχειριστήριο
- Ⓔ Στάνταρ 1:1 (Διεύθυνση ψυκτικού = 00)
- Ⓕ Ταυτόχρονη διπλή (Διεύθυνση ψυκτικού υγρού = 01)
- Ⓖ Ταυτόχρονη τριπλή (Διεύθυνση ψυκτικού υγρού = 02)

* Ρυθμίστε τη διεύθυνση του ψυκτικού υγρού με το διακόπτη συσκευασίας της εξωτερικής μονάδας.

① Σύνδεση με καλώδιο από το Τηλεχειριστήριο
Το καλώδιο αυτό συνδέεται με το TB5 (πλακίδιο ακροδεκτών του τηλεχειριστηρίου) της εσωτερικής μονάδας (μη πολικό).

② Όταν γίνεται χρήση ενός διαφορετικού συστήματος ψυκτικού υγρού. Μπορούν να ελέγχονται μέχρι 16 συστήματα ψυκτικού υγρού, ως μία ομάδα, χρησιμοποιώντας το λεπτό τηλεχειριστήριο MA.

Παρατήρηση:

Σε απλό σύστημα ψυκτικού (διπλό/τριπλό), δεν υπάρχει ανάγκη καλωδίωσης ②.

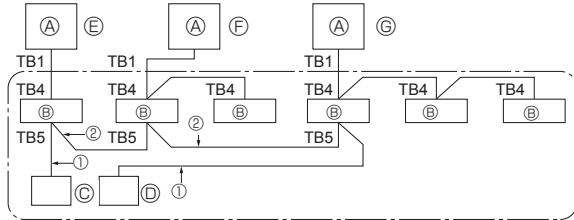
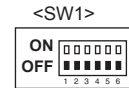


Fig. 10-1

SW1
Πίνακας
Λειτουργιών



	Λειτουργία	Λειτουργία ανάλογα με τη ρύθμιση του διακόπτη	
		ON	OFF
Ρυθμίσεις λειτουργίας SW1	1 Υποχρεωτική απόψυξη	Έναρξη	Φυσιολογική
	2 Διαγραφή ιστορικού σφαλμάτων	Διαγραφή	Φυσιολογική
	3 Ορισμός διεύθυνσης συστήματος ψυκτικού	Ρυθμίσεις για τις διευθύνσεις εξωτερικής μονάδας 0 έως 15	
	4		
	5		
	6		

10.2. Αντλία θερμότητας αέρα-νερού

Ρυθμίστε τη διεύθυνση ψυκτικού χρησιμοποιώντας το διακόπτη Dip της εξωτερικής μονάδας.

Ρύθμιση λειτουργίας SW1

Ρύθμιση SW1	Διεύθυνση ψυκτικού	Ρύθμιση SW1	Διεύθυνση ψυκτικού
ON OFF 3 4 5 6 7	00	ON OFF 3 4 5 6 7	03
ON OFF 3 4 5 6 7	01	ON OFF 3 4 5 6 7	04
ON OFF 3 4 5 6 7	02	ON OFF 3 4 5 6 7	05

Σημείωση:

a) Μπορούν να συνδεθούν μέχρι 6 μονάδες.

b) Επιλέξτε ένα μοντέλο για όλες τις μονάδες.

c) Για ρυθμίσεις διακόπτη Dip για εσωτερική μονάδα, ανατρέξτε στο εγχειρίδιο εγκατάστασης της εσωτερικής μονάδας.

11. Προδιαγραφές

Στάθμη ήχου (Μετρήθηκε με την ονομαστική συχνότητα λειτουργίας.)

			SHW80VHA	SHW112Y/VHA	SHW140YHA	SHW230YKA2
SPL	Θέρμανση	dB(A)	51	52	52	59
	Ψύξη	dB(A)	50	51	51	58
PWL	Θέρμανση	dB(A)	69	70	70	75

Índice

1. Precauções de Segurança	79	7. Trabalho de electricidade	85
2. Localização da instalação	80	8. Ensaio (Apenas para ares condicionados).....	87
3. Instalação da unidade exterior	82	9. Funções especiais	88
4. Instalação da tubagem do refrigerante.....	82	10. Controlo do sistema	89
5. Trabalho de tubagem de drenagem	85	11. Especificações.....	89
6. Trabalho de tubagem da água (Apenas para bomba de calefação ar/água)	85		

Nota: Este símbolo destina-se apenas aos países da UE.

Este símbolo está em conformidade com o artigo 14º da directiva 2012/19/EU de informação aos utilizadores e Anexo IX.



O seu produto MITSUBISHI ELECTRIC foi concebido e produzido com materiais e componentes de alta qualidade que podem ser reciclados e reutilizados.
Este símbolo significa que o equipamento eléctrico e electrónico no final da sua vida útil deve ser deitado fora separadamente do lixo doméstico. Por favor, entregue este equipamento no seu ponto local de recolha/reciclagem.
Na União Europeia existem sistemas de recolha separados para produtos eléctricos e electrónicos usados.
Por favor, ajude-nos a conservar o ambiente em que vivemos!

⚠ Cuidado:

- Não libertar o R410A para a atmosfera:

1. Precauções de Segurança

- ▶ Antes de instalar a unidade, leia atentamente as “Precauções de Segurança”.
- ▶ Reporte-se ou peça autorização à autoridade responsável pelo fornecimento antes de proceder à ligação do sistema.
- ▶ PUAZ-SHW230YKA2

“Este equipamento está em conformidade com a norma IEC 61000-3-12, desde que a potência de curto-circuito S_{sc} seja igual ou superior à S_{sc} (*1) no ponto de interface entre a alimentação usada pelo utilizador e o sistema público. Cabe ao instalador ou utilizador do equipamento assegurar, se necessário consultando o operador da rede de distribuição, que o equipamento é ligado exclusivamente a um tipo de alimentação com uma potência de curto-circuito S_{sc} igual ou superior à S_{sc} (*1)”

S_{sc} (*1)

Modelo	S_{sc} (MVA)
PUAZ-SHW230YKA2	1,35

⚠ Aviso:

Descreve as precauções a observar para evitar riscos de ferimentos ou morte ao utilizador.

⚠ Cuidado:

Descreve os cuidados a ter para não danificar a unidade.

Após ter concluído a instalação, explique as “Precauções de Segurança”, a utilização e a manutenção da unidade ao cliente, de acordo com as informações do Manual de Funcionamento, e efectue um ensaio para verificar se a unidade está a funcionar correctamente. O Manual de Instalação e o Manual de Funcionamento devem ser fornecidos ao utilizador, para que este os guarde. Os referidos manuais deverão ser fornecidos a utilizadores futuros.

⚡ : Indica uma peça a ligar à terra.

⚠ Aviso:

Leia atentamente os rótulos afixados na unidade principal.

⚠ Aviso:

- A unidade não deve ser instalada pelo utilizador. Peça a um concessionário ou electricista qualificado que a instale. Se a unidade não for instalada correctamente, podem ocorrer fugas de água, choques eléctricos ou incêndios.
- Para proceder à instalação, siga as instruções do Manual de Instruções e utilize ferramentas e componentes da tubagem especificamente concebidos para utilização com o refrigerante R410A. O refrigerante R410A no sistema HFC é comprimido 1,6 vezes mais do que a pressão dos refrigerantes comuns. Se forem utilizados componentes da tubagem que não tenham sido concebidos especificamente para o refrigerante R410A ou se a unidade não tiver sido instalada correctamente, a tubagem pode rebentar e provocar danos ou ferimentos. Para além disso, podem ainda ocorrer fugas de água, choques eléctricos ou incêndios.
- A unidade deve ser instalada de acordo com as instruções, para minimizar o risco de danos sofridos devido a tremores de terra ou ventos fortes. Uma unidade instalada incorrectamente pode cair e provocar danos ou ferimentos.
- A unidade deve ser instalada com segurança numa estrutura que suporte o seu peso. Se a unidade for montada numa estrutura instável, poderá cair e provocar danos ou ferimentos.
- Se a unidade exterior for instalada num compartimento pequeno, deverão ser tomadas medidas por forma a evitar que a concentração do refrigerante exceda o limite de segurança em caso de fuga de refrigerante. Consulte um concessionário relativamente às medidas a adoptar no sentido de evitar que a concentração permitida seja excedida. Em caso de fuga de refrigerante e de ultrapassagem do limite de concentração, poderá haver potenciais perigos devido à falta de oxigénio no compartimento.
- Ventile o compartimento em caso de fuga de refrigerante durante o funcionamento. Se o refrigerante entrar em contacto com fogo, serão libertados gases tóxicos.
- Todos os trabalhos de electricidade devem ser levados a cabo por um electricista qualificado e em conformidade com a regulamentação local e as instruções fornecidas neste manual. As unidades devem ser alimentadas através de cabos de alimentação dedicados e deve utilizar-se a voltagem correcta e os disjuntores adequados. Caso sejam usados cabos de alimentação com capacidade insuficiente ou haja trabalhos de electricidade mal efectuados, tal poderá originar choques eléctricos ou incêndios.

- Utilize fósforo de cobre C1220, para tubagens de cobre ou de liga de cobre sem juntas, para ligar a tubagem do refrigerante. Se a tubagem não for ligada correctamente, a unidade não será devidamente ligada à terra, o que poderá provocar choques eléctricos.
- Utilize apenas os cabos eléctricos indicados. As ligações devem ser efectuadas de modo seguro e sem tensão nos terminais. Do mesmo modo, nunca una os cabos para ligação (salvo especificado em contrário neste documento). A inobservância destas instruções pode resultar num sobreaquecimento ou num incêndio.
- O painel da tampa do bloco terminal da unidade externa deve estar bem fixo. Se o painel da tampa for montado incorrectamente e entrar poeira e humidade na unidade, podem ocorrer choques eléctricos ou incêndio.
- Ao instalar, mudar de sítio ou efectuar manutenção à unidade exterior, utilize apenas o refrigerante especificado (R410A) para carregar as linhas de refrigerante. Não o misture com qualquer outro refrigerante e assegure-se de que não fica ar nas linhas.
Se o ar for misturado com o refrigerante, tal pode causar uma pressão alta anómala na linha do refrigerante, o que pode resultar numa explosão e outros perigos. O uso de qualquer refrigerante diferente do especificado para o sistema causará uma falha mecânica ou avaria do sistema ou falta da unidade. No pior dos casos, isto pode comprometer seriamente a segurança do produto.
- Utilize só acessórios autorizados pela Mitsubishi Electric e peça ao seu distribuidor ou a uma empresa autorizada que os instale. Se os acessórios não forem correctamente instalados, podem ocorrer fugas de água, choques eléctricos ou incêndios.
- Não modifique a unidade. Consulte um distribuidor caso seja necessário proceder a reparações. Se as modificações ou reparações não forem devidamente efectuadas, podem ocorrer fugas de água, choques eléctricos ou incêndios.
- O utilizador nunca deve tentar reparar a unidade ou transferi-la para outro local. Se a unidade for instalada incorrectamente, podem ocorrer fugas de água, choques eléctricos ou incêndios. Se a unidade exterior tiver de ser reparada ou deslocada, contacte um revendedor ou um técnico autorizado.
- Depois de a instalação estar concluída, verifique se não existem fugas de refrigerante. Se ocorrer uma fuga de refrigerante no compartimento e entrar em contacto com uma chama proveniente de outro dispositivo, serão libertados gases tóxicos.

1.1. Antes da instalação

⚠ Cuidado:

- Não utilize a unidade num ambiente invulgar. Se a unidade exterior for instalada em áreas expostas a vapor, óleo volátil (incluindo óleo de máquinas) ou a gás sulfúrico, áreas expostas a uma grande concentração de sal, tal como à beira-mar, ou áreas onde a unidade possa ser coberta por neve, o rendimento poderá ser significativamente reduzido e as peças internas podem ser danificadas.
- Não instale a unidade onde possam ocorrer fugas, produção, fluxo ou acumulação de gases combustíveis. Em caso de acumulação de gás combustível em torno da unidade, podem ocorrer incêndios ou explosões.

- A unidade exterior produz condensação durante a operação de aquecimento. Assegure-se de que existe drenagem suficiente em torno da unidade exterior caso a referida condensação possa causar danos.
- Ao instalar a unidade num hospital ou gabinete de comunicações, não estranhe se se verificar ruído e interferência eléctrica. Inversores, electrodomésticos, equipamento médico de alta frequência e equipamento de comunicação por rádio podem provocar mau funcionamento ou avaria da unidade exterior. A unidade exterior também pode afectar equipamento médico, perturbando a prestação dos serviços médicos, e equipamento de comunicações, comprometendo a qualidade da imagem de ecrãs.

1. Precauções de Segurança

1.2. Antes da instalação (transferência)

⚠ Cuidado:

- Ter muito cuidado durante o transporte ou instalação das unidades. São precisas duas ou mais pessoas para transportar a unidade, uma vez que esta pesa 20 kg ou mais. Não agarre nas bandas da embalagem. Usar luvas de protecção para retirar a unidade da respectiva embalagem e deslocá-la, pois pode ferir as mãos nas alhetas ou nas arestas de outros componentes.
- Assegure-se de que elimina com segurança os materiais de embalagem. Materiais de embalagem tais como pregos e outras peças em metal ou madeira podem provocar cortes ou outros ferimentos.

- A base e os acessórios da unidade exterior devem ser verificados periodicamente, a fim de detectar possíveis folgas, fendas ou outros danos. Se tais danos não forem corrigidos, a unidade poderá cair e provocar acidentes ou ferimentos.
- Não limpar a unidade exterior com água. Poderá provocar choques eléctricos.
- Aperte bem todas as porcas afuniladas, utilizando uma chave dinamómetro. Se as porcas forem demasiadamente apertadas, podem quebrar passado algum tempo e originar uma fuga de refrigerante.

1.3. Antes do trabalho de electricidade

⚠ Cuidado:

- Assegure-se de que instala disjuntores. Se não forem instalados disjuntores, podem ocorrer choques eléctricos.
- Para as linhas de alta tensão, utilize cabos normalizados de capacidade suficiente. De outro modo, poderá ocorrer um curto-circuito, sobreaquecimento ou incêndio.
- Ao instalar as linhas de alimentação, não aplique tensão nos cabos. Se existir mau contacto nas ligações, os cabos podem rebentar ou partir, originando sobreaquecimento ou incêndio.

- Assegure-se de que liga a unidade à terra. Não ligue o fio terra a canos de gás ou de água, pára-raios ou linhas telefónicas de ligação à terra. Se a unidade não for devidamente ligada à terra, poderão ocorrer choques eléctricos.
- Utilize disjuntores (interruptor de falha de ligação à terra, interruptor de isolamento (fusível +B) e disjuntor com protecção moldada) com a capacidade especificada. Se a capacidade do disjuntor for superior à capacidade especificada, podem ocorrer avarias ou incêndios.

1.4. Antes de iniciar o ensaio (Apenas para ares condicionados)

⚠ Cuidado:

- Ligue o interruptor principal de corrente mais de doze horas antes de dar início ao funcionamento. Se o funcionamento tiver início imediatamente depois de ligar o interruptor principal, tal poderá danificar seriamente as peças internas. Mantenha o interruptor ligado durante a estação operacional.
- Antes de o funcionamento ter início, verifique se todos os painéis e outras peças de protecção foram correctamente instalados. Peças rotativas, quentes ou de alta tensão podem causar ferimentos.
- Não toque em nenhum interruptor com as mãos molhadas. Poderá provocar choques eléctricos.

- Quando o aparelho de ar condicionado estiver a funcionar, não toque nos tubos do refrigerante sem qualquer protecção nas mãos. Os tubos do refrigerante podem estar quentes ou frios, dependendo do estado do refrigerante em circulação. Se tocar nos tubos, poderá sofrer queimaduras.
- Após interromper o funcionamento, espere pelo menos cinco minutos antes de desligar o interruptor principal. De outro modo, poderá originar fugas de água ou avarias.

1.5. Utilizar o refrigerante R410A na unidade exterior

⚠ Cuidado:

- Utilize fósforo de cobre C1220, para tubagens de cobre ou de liga de cobre sem juntas, para ligar a tubagem do refrigerante. Certifique-se de que o interior da tubagem está limpo e não contém substâncias tóxicas, tais como compostos de enxofre, oxidantes, sujidade ou poeira. Utilize tubos com a espessura indicada. (Consulte a 4.1.) Considere as indicações que se seguem se reutilizar tubos que transportavam refrigerante R22.
- Substitua as porcas afuniladas existentes e afunile as secções apertadas novamente.
- Não utilize tubos finos. (Consulte a 4.1.)
- Mantenha os tubos a utilizar na instalação protegidos e ambas as extremidades tapadas até ao momento de serem soldadas. (Deixe as juntas curvas, etc., na embalagem.) Se entrar poeira, sujidade ou humidade nas linhas do refrigerante, poderá ocorrer deterioração do óleo ou avaria do compressor.
- Utilize óleo de éster, de éter ou de alquilbenzeno (pequenas quantidades) como óleo de refrigeração para revestir as secções afuniladas. Se se misturar óleo mineral com o óleo de refrigeração, pode ocorrer uma deterioração do óleo.
- Utilize unicamente refrigerante R410A. Se utilizar outro refrigerante, o cloro provocará a deterioração do óleo.
- Utilize as ferramentas que se seguem, especificamente concebidas para serem utilizadas com o refrigerante R410A. As ferramentas que se seguem são necessárias para a utilização do refrigerante R410A. Contacte o seu distribuidor caso tenha alguma questão a colocar.

Ferramentas (para R410A)	
Colector do manómetro	Instrumento de afunilamento
Tubo flexível de carga	Manómetro de ajuste de tamanho
Detector de fugas de gás	Adaptador da bomba de vácuo
Chave dinamómetro	Escala electrónica de abastecimento de refrigerante

- Assegure-se de que utiliza as ferramentas correctas. Se entrar poeira, sujidade ou humidade nas linhas do refrigerante, poderá ocorrer deterioração do óleo de refrigeração.
- Não utilize uma botija de abastecimento. Se utilizar uma botija de abastecimento, a composição do refrigerante será alterada e o grau de eficiência será inferior.

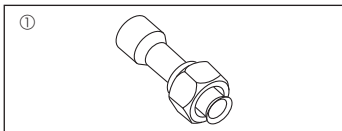


Fig. 1-1

2. Localização da instalação

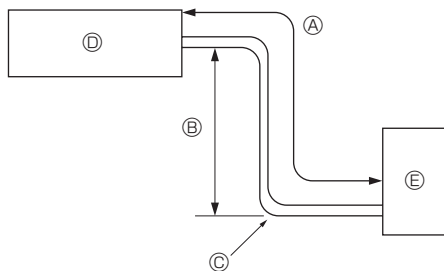


Fig. 2-1

1.6. Acessórios da unidade exterior (Fig. 1-1) (SHW230)

As peças ilustradas à esquerda são os acessórios desta unidade, que se encontram na parte interior do painel de manutenção.

- ① Tubo de junção.....x1

2.1. Tubo de refrigerante (Fig. 2-1)

- ▶ Verifique se a diferença entre as alturas das unidades interior e exterior, o comprimento da tubagem de refrigeração e o número de curvas na tubagem se encontram dentro dos limites abaixo indicados.

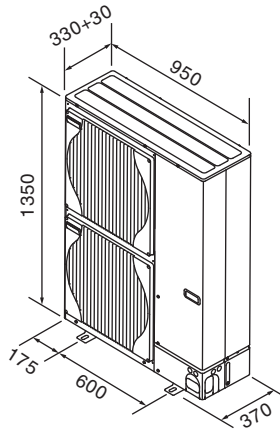
Modelos	Ⓐ Comprimento da tubagem (um só sentido)	Ⓑ Diferença de altura	Ⓒ Número de curvas (um só sentido)
SHW80, 112, 140	2 m - 75 m	Máx. 30 m	Máx. 15
SHW230	2 m - 80 m	Máx. 30 m	Máx. 15

- Os limites de diferença de altura são definidos independentemente de qual das unidades, interior ou exterior, estiver colocada mais alto.

- Ⓓ Unidade interior
- Ⓔ Unidade exterior

2. Localização da instalação

■ SHW80, 112, 140



■ SHW230

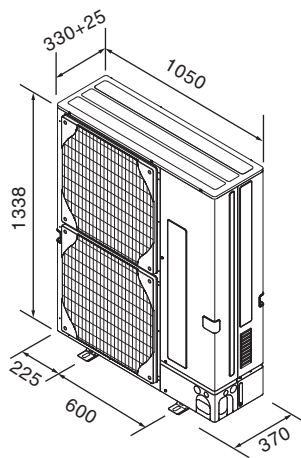


Fig. 2-2

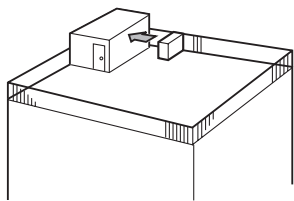


Fig. 2-3

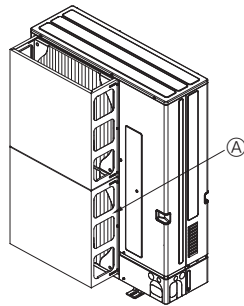


Fig. 2-4

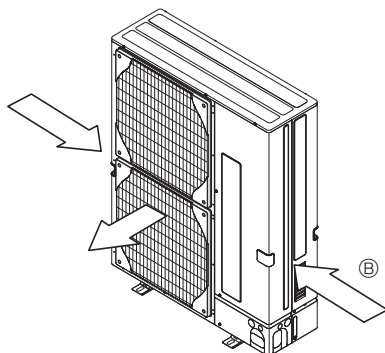


Fig. 2-5

2.2. Selecção do local de instalação da unidade exterior

- Evite locais sujeitos a luz solar directa ou outras fontes de calor.
- Seleccione um local onde o ruído produzido pela unidade não incomode os vizinhos.
- Seleccione um local que permita um acesso fácil dos cabos e tubos à fonte de alimentação e unidade interior.
- Evite locais onde possam ocorrer fugas, produção, fluxo ou acumulação de gases combustíveis.
- Lembre-se que poderá ocorrer gotejamento de água durante o funcionamento.
- Seleccione um local capaz de sustentar o peso e a vibração da unidade.
- Evite locais onde a unidade possa ser coberta por neve. Em áreas em que costume nevar muito, devem tomar-se precauções especiais, tais como elevar o local de instalação ou instalar uma tampa no orifício de admissão de ar, no sentido de evitar que a neve impeça a admissão de ar ou caia directamente sobre o orifício de admissão de ar. Este facto poderá reduzir o fluxo de ar, causando uma avaria.
- Evite locais expostos a óleo, vapor ou gás sulfúrico.
- Utilize as pegas de transporte da unidade exterior para transportar a unidade. Se a unidade for transportada pegando por baixo, as mãos ou os dedos poderão ser trilhados.

2.3. Dimensões globais (Unidade exterior) (Fig. 2-2)

2.4. Ventilação e espaço de manutenção

2.4.1. Instalação em locais sujeitos a ventos

Ao instalar a unidade exterior num telhado ou noutro local desprotegido do vento, situe a saída de ar da unidade de modo a que não esteja exposta directamente a ventos fortes. A entrada de vento na saída de ar poderá impedir o normal fluxo de ar e provocar avarias. Apresentam-se abaixo três exemplos de precauções que se podem tomar contra os ventos fortes.

- ① Direcione a saída de ar para a parede mais próxima a uma distância de cerca de 50 cm. (Fig. 2-3)
- ② Instale uma guia de ar opcional se a unidade estiver instalada num local sujeito a fortes ventos, que podem entrar directamente na saída de ar. (Fig. 2-4)
 - Ⓐ Guia de protecção de ar
- ③ Posicione a unidade de forma a que o ar seja libertado perpendicularmente à direcção do vento, se possível. (Fig. 2-5)
 - Ⓑ Direcção do vento

2.4.2. Quando instalar uma só unidade exterior (Consulte a última página)

As dimensões mínimas são as seguintes, excepto para máx. (dimensões máximas), as quais também estão indicadas.

Para cada caso consulte as figuras.

- ① Obstáculos apenas na parte de trás (Fig. 2-6)
- ② Obstáculos apenas na parte de trás e por cima (Fig. 2-7)
- ③ Obstáculos apenas na parte de trás e nos lados (Fig. 2-8)
- ④ Obstáculos apenas na parte da frente (Fig. 2-9)
 - * Quando se utiliza as guias de saída de ar opcional, a folga deve ser de 500 mm ou mais.
- ⑤ Obstáculos apenas na parte da frente e de trás (Fig. 2-10)
 - * Quando se utiliza as guias de saída de ar opcional, a folga deve ser de 500 mm ou mais.
- ⑥ Obstáculos apenas na parte de trás, nos lados e por cima (Fig. 2-11)
 - * Não utilize as guias de saída opcionais para o fluxo de ar ascendente.

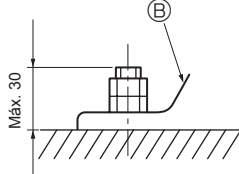
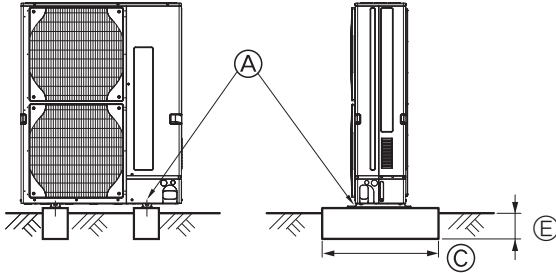
2.4.3. Quando instalar várias unidades exteriores (Consulte a última página)

Deixe uma distância de 10 mm ou mais entre as unidades.

- ① Obstáculos apenas na parte de trás (Fig. 2-12)
- ② Obstáculos apenas na parte de trás e por cima (Fig. 2-13)
 - Não devem ser instaladas mais de três unidades lado a lado. Para além disso, deve deixar distância entre elas, tal como se demonstra.
 - Não utilize as guias de saída opcionais para o fluxo de ar ascendente.
- ③ Obstáculos apenas na parte da frente (Fig. 2-14)
 - * Quando se utiliza as guias de saída de ar opcional, a folga deve ser de 1000 mm ou mais.
- ④ Obstáculos apenas na parte da frente e de trás (Fig. 2-15)
 - * Quando se utiliza as guias de saída de ar opcional, a folga deve ser de 1000 mm ou mais.
- ⑤ Disposição de uma unidade em paralelo (Fig. 2-16)
 - * Quando se utiliza as guias de saída de ar opcional instalada para fluxo de ar ascendente, a folga é de 1000 mm ou mais.
- ⑥ Disposição de várias unidades em paralelo (Fig. 2-17)
 - * Quando se utiliza as guias de saída de ar opcional instalada para fluxo de ar ascendente, a folga é de 1500 mm ou mais.
- ⑦ Disposição de unidades sobrepostas (Fig. 2-18)
 - Podem ser sobrepostas até duas unidades.
 - Não devem ser instaladas mais de duas unidades sobrepostas lado a lado. Para além disso, deve deixar distância entre elas, tal como se demonstra.

3. Instalação da unidade exterior

(mm)



- Ⓐ Parafuso M10 (3/8")
- Ⓑ Base
- Ⓒ O mais longo possível.
- Ⓓ Abertura
- Ⓔ Instalar profundamente no solo

- Certifique-se de instalar a unidade numa superfície firme e nivelada para evitar estrepidos durante a operação. (Fig. 3-1)

<Especificações de fundação>

Parafuso da fundação	M10 (3/8")
Espessura do betão	120 mm
Comprimento do parafuso	70 mm
Capacidade de carga	320 kg

- Certifique-se de que o comprimento do parafuso da fundação esteja dentro de 30 mm da superfície inferior da base.
- Fixe a base da unidade firmemente com quatro parafusos de fundação M10 em locais resistentes.

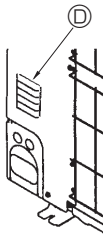
Instalação da unidade exterior

- Não tape a abertura. Se a abertura for tapada, o funcionamento será impedido, o que poderá provocar uma avaria.
- Para além da base da unidade, utilize os furos de instalação na parte posterior da unidade para prender fios, etc., se for necessário para instalar a unidade. Utilize parafusos roscados ($\varnothing 5 \times 15$ mm ou menos) e instale no local.

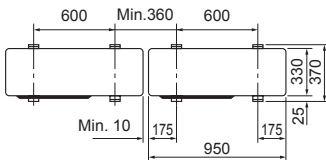
⚠ Aviso:

- A unidade deve ser instalada com segurança numa estrutura que suporte o seu peso. Se a unidade for montada numa estrutura instável, poderá cair e provocar danos ou ferimentos.
- A unidade deve ser instalada de acordo com as instruções, para minimizar o risco de danos sofridos devido a tremores de terra ou ventos fortes. Uma unidade instalada incorrectamente pode cair e provocar danos ou ferimentos.

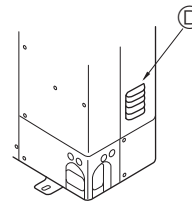
■ SHW80, 112, 140



■ SHW80, 112, 140



■ SHW230



■ SHW230

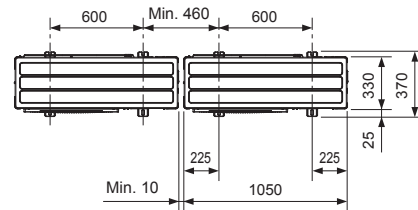


Fig. 3-1

4. Instalação da tubagem do refrigerante

4.1. Precauções para dispositivos que utilizam o refrigerante R410A

- Consulte a secção 1.5. que contém outras precauções relativamente à utilização da unidade exterior com o refrigerante R410A.
- Utilize óleo de éster, de éter ou de alquilbenzeno (pequenas quantidades) como óleo de refrigeração para revestir as secções afuniladas.
- Utilize fósforo de cobre C1220, para tubagens de cobre ou de liga de cobre sem juntas, para ligar a tubagem do refrigerante. Utilize tubos de refrigerante com a espessura especificada na tabela. Certifique-se de que o interior da tubagem está limpo e não contém substâncias tóxicas, tais como compostos de enxofre, oxidantes, sujidade ou poeira. Aplicar sempre soldadura inoxidável para soldar os tubos, pois de outra forma o compressor sofrerá danos.

⚠ Aviso:

Ao instalar, mudar de sítio ou efectuar manutenção à unidade exterior, utilize apenas o refrigerante especificado (R410A) para carregar as linhas de refrigerante. Não o misture com qualquer outro refrigerante e assegure-se de que não fica ar nas linhas.

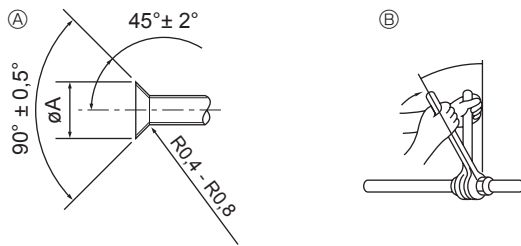
Se o ar for misturado com o refrigerante, tal pode causar uma pressão alta anómala na linha do refrigerante, o que pode resultar numa explosão e outros perigos.

O uso de qualquer refrigerante diferente do especificado para o sistema causará uma falha mecânica ou avaria do sistema ou falta da unidade. No pior dos casos, isto pode comprometer seriamente a segurança do produto.

Tamanho do tubo (mm)	$\varnothing 6,35$	$\varnothing 9,52$	$\varnothing 12,7$	$\varnothing 15,88$	$\varnothing 19,05$	$\varnothing 22,2$	$\varnothing 25,4$	$\varnothing 28,58$
Espessura (mm)	0,8	0,8	0,8	1,0	1,0	1,0	1,0	1,0

- Não utilize tubos com uma espessura menor do que a indicada.
- Utilize tubos 1/2 H ou H se o diâmetro for de 19,05 mm ou maior.

4. Instalação da tubagem do refrigerante



Ⓐ Dimensões do corte de afunilamento
Ⓑ Binário de aperto da porca afunilada

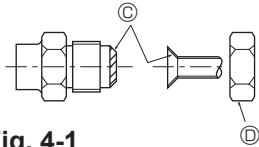


Fig. 4-1

Ⓐ (Fig. 4-1)

Tubo de cobre O.D. (mm)	Dimensões de afunilamento ϕA dimensões (mm)
$\phi 6,35$	8,7 - 9,1
$\phi 9,52$	12,8 - 13,2
$\phi 12,7$	16,2 - 16,6
$\phi 15,88$	19,3 - 19,7
$\phi 19,05$	23,6 - 24,0

Ⓑ (Fig. 4-1)

Tubo de cobre O.D. (mm)	Porca afunilada O.D. (mm)	Binário de Aperto (N·m)
$\phi 6,35$	17	14 - 18
$\phi 6,35$	22	34 - 42
$\phi 9,52$	22	34 - 42
$\phi 12,7$	26	49 - 61
$\phi 12,7$	29	68 - 82
$\phi 15,88$	29	68 - 82
$\phi 15,88$	36	100 - 120
$\phi 19,05$	36	100 - 120

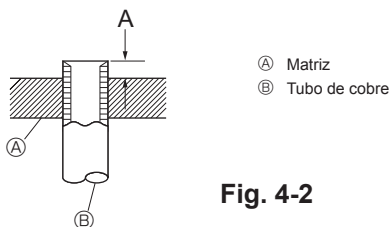


Fig. 4-2

Ⓐ Matriz
Ⓑ Tubo de cobre

4.2. Tubos de ligação (Fig. 4-1)

- Se forem utilizados tubos de cobre comercialmente disponíveis, limpe os tubos de líquido e de gás com materiais de isolamento comercialmente disponíveis (resistentes ao calor de 100°C ou mais, com uma espessura de 12 mm ou mais).
- Certifique-se de que coloca isolante separadamente nos tubos de gás e líquido refrigerante.
- As peças internas do tubo de drenagem devem ser limpas com materiais de isolamento de espuma de polietileno (gravidade específica de 0,03 de espessura de 9 mm ou mais).
- Aplique uma fina camada de óleo refrigerante ao tubo e à superfície de costura da junta antes de apertar a porca do tubo. Ⓐ
- Aperte os tubos de ligação com 2 chaves. Ⓑ
- Depois de feitas as ligações, utilize um detector de fugas ou água de sabão para se certificar de que não há fugas de gás.
- Aplique óleo de máquina refrigerante em toda a superfície de encaixe de afunilamento. Ⓒ
- Utilize as porcas afuniladas para o tamanho de tubo que se segue. Ⓓ

		SHW80, 112, 140	SHW230
Lado do gás	Tamanho do tubo (mm)	$\phi 15,88$	$\phi 25,4$
Lado do líquido	Tamanho do tubo (mm)	$\phi 9,52$	$\phi 12,7$

- Ao dobrar os tubos, tenha cuidado para não os partir. Níveis de curvatura de 100 mm a 150 mm são suficientes.
- Assegure-se de que os tubos não entram em contacto com o compressor. Tal pode provocar ruído ou vibrações.

- Os tubos devem ser ligados começando pela unidade interior. As porcas de afunilamento devem ser apertadas utilizando uma chave dinamómetro.
- Afunile os tubos de líquido e os tubos de gás e aplique uma camada fina de óleo de refrigeração (aplicado no local).
- Quando utilizar um isolante de tubos normal, consulte a Tabela 1 relativamente ao afunilamento de tubos de refrigerante R410A. O manómetro de ajuste de tamanho pode ser utilizado para confirmar as medidas A.

Tabela 1 (Fig. 4-2)

Tubo de cobre O.D. (mm)	A (mm)	
	Ferramenta de afunilamento para R410A	Ferramenta de afunilamento para R22-R407C
	Tipo de alavanca	
$\phi 6,35$ (1/4")	0 - 0,5	1,0 - 1,5
$\phi 9,52$ (3/8")	0 - 0,5	1,0 - 1,5
$\phi 12,7$ (1/2")	0 - 0,5	1,0 - 1,5
$\phi 15,88$ (5/8")	0 - 0,5	1,0 - 1,5
$\phi 19,05$ (3/4")	0 - 0,5	1,0 - 1,5

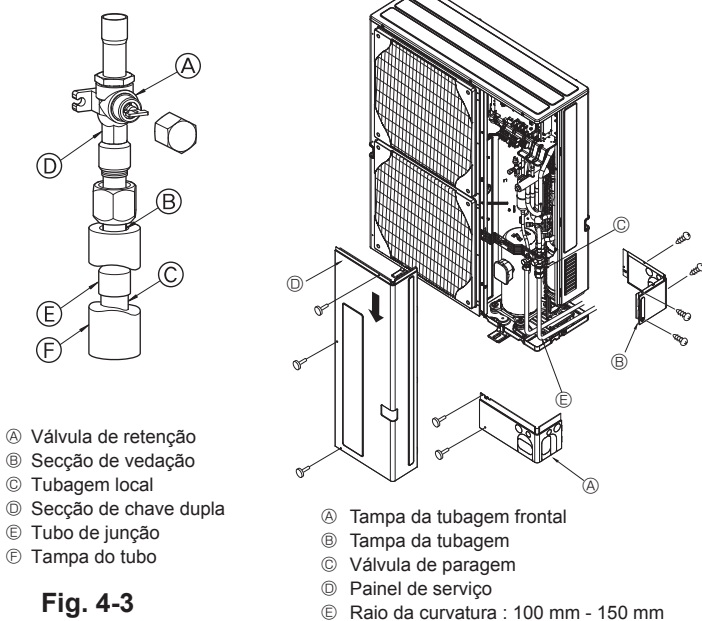
- Utilize o seguinte procedimento para ligar a tubagem do lado do gás. (Fig. 4-3) (SHW230)

- Solde o tubo de junção Ⓔ fornecido à unidade exterior, utilizando materiais de soldadura adquiridos localmente, e a tubagem local Ⓒ, sem oxigénio.
- Ligue o tubo de junção Ⓔ à válvula de retenção do lado do gás. Use duas chaves para apertar a porca afunilada.
* Se a ordem for invertida, poderão ocorrer fugas de refrigerante devido aos danos provocados nas peças pela chama de soldadura.

4.3. Refrigerant piping (Fig. 4-4)

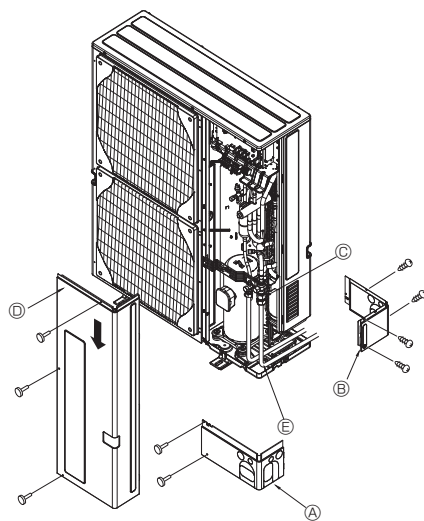
Remove o painel de manutenção Ⓓ (3 parafusos) e a tampa da tubagem frontal Ⓐ (2 parafusos) e a tampa da tubagem traseira Ⓑ (2 parafusos: SHW80 - 140) (4 parafusos: SHW230).

- Execute as ligações da tubagem de refrigerante para a unidade interior/exterior quando a válvula de paragem da unidade exterior estiver completamente fechada.
- Purgue o ar da unidade interior e da tubagem de ligação.
- Após ter efectuado a ligação dos tubos de refrigerante, verifique se não existem fugas de gás nos tubos ligados e na unidade interior. (Consulte 4.4. Teste de vedação ao ar do tubo de refrigerante.)
- Na porta de serviço das válvulas de retenção, utiliza-se uma bomba de vácuo de elevado desempenho para manter o vácuo durante o tempo necessário (pelo menos uma hora depois de atingir -101 kPa (5 Torr)), de forma a efectuar a secagem por vácuo do interior da tubagem. Verifique sempre o nível de vácuo no manómetro do colectador. Se se verificar a existência de humidade na tubagem, o nível de vácuo por vezes não é atingido na aplicação de vácuo de curta duração. Após a secagem por vácuo, abra completamente as válvulas de retenção (de líquido e de gás) para a unidade exterior. Desta forma, os circuitos de refrigeração internos e externos ficarão completamente ligados.
 - Se a secagem por vácuo não for realizada correctamente, ar e água permanecerão nos circuitos refrigerantes, podendo provocar uma subida anormal dos níveis de alta pressão e uma descida anormal dos níveis de baixa pressão, bem como a deterioração do óleo da máquina de congelação devido à humidade, etc.
 - Se as válvulas de retenção forem deixadas fechadas e a unidade for ligada, o compressor e as válvulas de controlo serão danificados.
 - Utilize um detector de fugas ou água com uma solução de sabão para verificar se existem fugas de gás nas secções de ligação dos tubos da unidade exterior.
 - Não utilize o refrigerante da unidade para purgar o ar das linhas de refrigerante.
 - Depois de a operação da válvula estar concluída, aperte as tampas da válvula até à pressão adequada: 20 a 25 N·m (200 a 250 kgf·cm). Se as tampas não forem substituídas e apertadas, podem ocorrer fugas de refrigerante. Para além disso, não danifique o interior das tampas das válvulas, pois funcionam como vedante para evitar fugas de refrigerante.
- Utilize vedante para vedar as extremidades do isolamento térmico em torno das secções de ligação dos tubos, para evitar a entrada de água no isolamento térmico.



Ⓐ Válvula de retenção
Ⓑ Secção de vedação
Ⓒ Tubagem local
Ⓓ Secção de chave dupla
Ⓔ Tubo de junção
Ⓕ Tampa do tubo

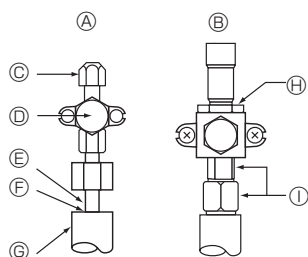
Fig. 4-3



Ⓐ Tampa da tubagem frontal
Ⓑ Tampa da tubagem
Ⓒ Válvula de paragem
Ⓓ Painel de serviço
Ⓔ Raio da curvatura : 100 mm - 150 mm

Fig. 4-4

4. Instalação da tubagem do refrigerante



- (A) Válvula de paragem <Lado do líquido>
 (B) Válvula de paragem <Lado do gás>
 (C) Porta de manutenção
 (D) Secção Abrir/Fechar
 (E) Tubo local
 (F) Vedado, tal como para o lado do gás
 (G) Cobertura do tubo
 (H) Não use a chave aqui. Pode provocar fuga de refrigerante.
 (I) Use aqui 2 chaves.

Fig. 4-5

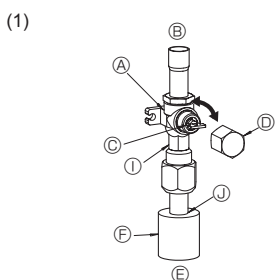


Fig. 4-6

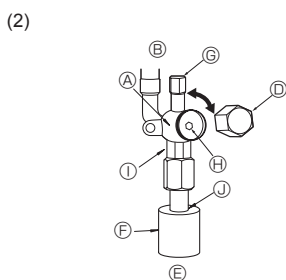


Fig. 4-7

- (A) Válvula
 (B) Lado da unidade
 (C) Alavanca
 (D) Cápsula
 (E) Lado do tubo local
 (F) Tampa do tubo
 (G) Porta de manutenção
 (H) Furo da chave
 (I) Secção de chave dupla (Não aplique uma chave dupla noutra secção que não esta. Se o fizer, pode provocar fugas de líquido refrigerante)
 (J) Secção de vedação (Vede a extremidade do material termo-isolante na secção de ligação do tubo, utilizando para o efeito qualquer material vedante, de forma a evitar a infiltração de água no material termo-isolante.)

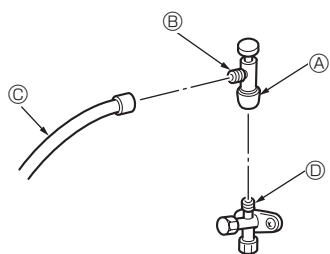


Fig. 4-8

- * A imagem à esquerda é apenas um exemplo. A forma da válvula de retenção, a posição da porta de serviço, etc., pode variar de acordo com o modelo.
 * Rodar apenas a secção (A). (Não apertar mais as secções (A) e (B) em conjunto.)
 (C) Tubo flexível de carga
 (D) Porta de serviço

4.4. Teste de vedação ao ar do tubo de refrigerante (Fig. 4-5)

(1) Ligue as ferramentas de teste.

- Certifique-se de que as válvulas de retenção (A) (B) estão fechadas e não as abra.
- Adicione pressão às linhas de refrigerante através da porta de serviço (C) da válvula de retenção do líquido (A).

(2) Não adicione pressão na quantidade especificada de uma só vez; adicione pressão aos poucos.

- ① Pressurize até 0,5 MPa (5 kgf/cm²G), aguarde cinco minutos e assegure-se de que a pressão não diminui.
- ② Pressurize até 1,5 MPa (15 kgf/cm²G), aguarde cinco minutos e assegure-se de que a pressão não diminui.
- ③ Pressurize até 4,15 MPa (41,5 kgf/cm²G) e meça a temperatura ambiente e a temperatura do refrigerante.

(3) Se a pressão especificada se mantiver durante cerca de um dia e não diminuir, os tubos terão passado no teste e não existem fugas.

- Se a temperatura ambiente se alterar em 1°C, a pressão irá alterar-se em cerca de 0,01 MPa (0,1 kgf/cm²G). Efectue as correcções necessárias.

(4) Se a pressão diminuir nos passos (2) ou (3), existe uma fuga de gás. Procure descobrir a causa da fuga de gás.

4.5. Método de abertura da válvula de paragem

O método de abertura da válvula de retenção varia consoante o modelo de unidade exterior. Utilize o método adequado para abrir as válvulas de retenção.

(1) Lado do gás (Fig. 4-6)

- ① Remova a cápsula, puxe a alavanca na sua direcção e gire 1/4 de volta no sentido contrário aos ponteiros do relógio para abrir.
- ② Certifique-se de que a válvula de paragem esteja completamente aberta, empurre a alavanca e gire a cápsula de volta à sua posição original.

(2) Lado do líquido (Fig. 4-7)

- ① Retire a tampa e rode a válvula para a esquerda o máximo que puder com uma chave sextavada de 4 mm. Pare de rodar quando esta alcançar o batente. (ø9,52: Aproximadamente 10 rotações)
- ② Certifique-se de que a válvula de paragem esteja completamente aberta, empurre a alavanca e gire a cápsula de volta à sua posição original.

Os tubos de refrigerante são revestidos de forma segura

- Os tubos podem ser revestidos de forma segura até um diâmetro de ø90 antes ou depois de efectuar a ligação dos tubos. Corte o recorte na tampa do tubo, seguindo a ranhura, e revista os tubos.

Intervalo de entrada do tubo

- Utilize pasta ou vedante para vedar a entrada do tubo em torno dos tubos, para que não existam intervalos. (Se os intervalos não forem eliminados, pode verificar-se a emissão de ruído ou a entrada de poeira na unidade, provocando avarias.)

Precauções de utilização da válvula de carga (Fig. 4-8)

Quando instalar a porta de serviço não a aperte demasiado, pois se apertar demasiado, o núcleo da válvula pode ficar deformado e soltar-se, provocando uma fuga de gás.

Depois de posicionar a secção (B) na direcção pretendida, rode apenas a secção (A) e aperte-a.

Depois de apertar a secção (A) não aperte mais as secções (A) e (B) em conjunto.

⚠ Aviso:

Quando instalar a unidade, ligue os tubos de refrigerante firmemente antes de ligar o compressor.

4.6. Adição de refrigerante

- Se o comprimento do tubo não exceder os 30 m, não é necessário um abastecimento adicional para esta unidade.
- Se o comprimento do tubo exceder os 30 m, adicione refrigerante R410A à unidade de acordo com os comprimentos do tubo permitidos na tabela abaixo.

* Quando a unidade estiver desligada, abasteça-a com o refrigerante adicional através da válvula de retenção de líquido depois das extensões do tubo e unidade interior terem sido aspiradas.

Quando a unidade estiver a funcionar, adicione refrigerante na válvula de retenção de gás utilizando um carregador de segurança. Não adicione líquido refrigerante directamente na válvula de retenção.

* Após abastecer a unidade com refrigerante, anote a quantidade de refrigerante adicionada na etiqueta da manutenção (colada à unidade). Consulte a secção "1.5. Utilizar o refrigerante R410A na unidade exterior" para obter mais informações.

- Tenha cuidado quando instalar várias unidades. A ligação a uma unidade interior incorrecta pode provocar uma pressão involuntariamente elevada e ter um efeito negativo no rendimento da unidade.

Modelo	Comprimento de tubo permitido	Diferença vertical permitida	Quantidade de refrigerante de carga inicial	Quantidade de refrigerante adicional			
				31 - 40 m	41 - 50 m	51 - 60 m	61 - 75 m
SHW80, 112, 140	2 m - 75 m	Máx. 30 m	5,5 kg	0,6 kg	1,2 kg	1,8 kg	2,4 kg

Modelo	Comprimento de tubo permitido	Diferença vertical permitida	Quantidade de refrigerante de carga inicial	Método de operação	Tamanho do tubo de líquido	Quantidade de refrigerante adicional						
						21 - 30 m	31 - 40 m	41 - 50 m	51 - 60 m	61 - 70 m	71 - 80 m	
SHW230	2 m - 80 m ^{*1}	Máx. 30 m	7,1 kg	ATA / AHU	ø 12,7	—	1,4 kg	2,8 kg	4,2 kg	5,6 kg	7,0 kg	
						ø 9,52	—	—	0,8 kg	1,7 kg	2,6 kg	3,5 kg
						ø 12,7	1,4 kg	2,8 kg	4,2 kg	5,6 kg	7,0 kg	8,4 kg
						ø 9,52	—	0,8 kg	1,7 kg	2,6 kg	3,5 kg	4,4 kg

*1. Coloque o painel de controlo SW8-2 em ON quando o comprimento do tubo for igual ou inferior a 10m (SHW230YKA2R2 ou posterior).

4. Instalação da tubagem do refrigerante

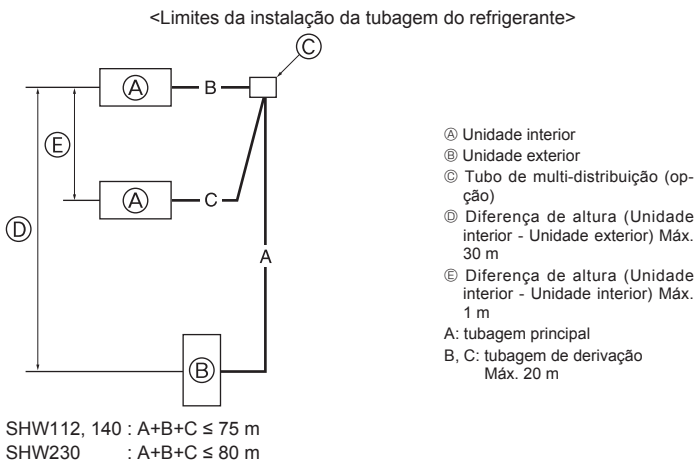


Fig. 4-9

5. Trabalho de tubagem de drenagem

Ligação do tubo de drenagem da unidade exterior

A série PUGHZ-SHW não pode ser ligada a um tubo de drenagem, devido à especificação para zonas frias.

6. Trabalho de tubagem da água (Apenas para bomba de calefação ar/água)

Quantidade de água mínima

A quantidade de água indicada a seguir é necessária no circuito de água.

Modelo	Quantidade mínima de água (l)
SHW80	34
SHW112	48
SHW140	60
SHW230	99

Certifique-se de que toma uma medida de protecção contra a congelação, como aplicar solução anticongelante quando utilizar a unidade no modo de refrigeração a uma temperatura ambiente baixa (inferior a 0 °C).

7. Trabalho de electricidade

7.1. Unidade exterior (Fig. 7-1, Fig. 7-2)

- ① Remova o painel de manutenção.
- ② Ligue os cabos consultando a Fig. 7-1 e a Fig. 7-2.

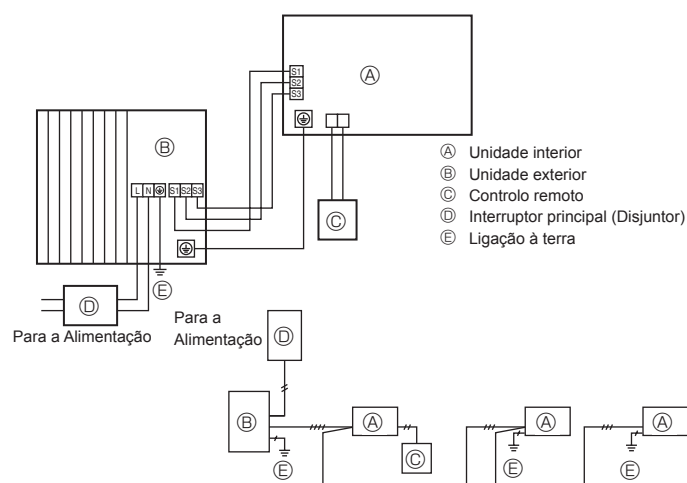


Fig. 7-1

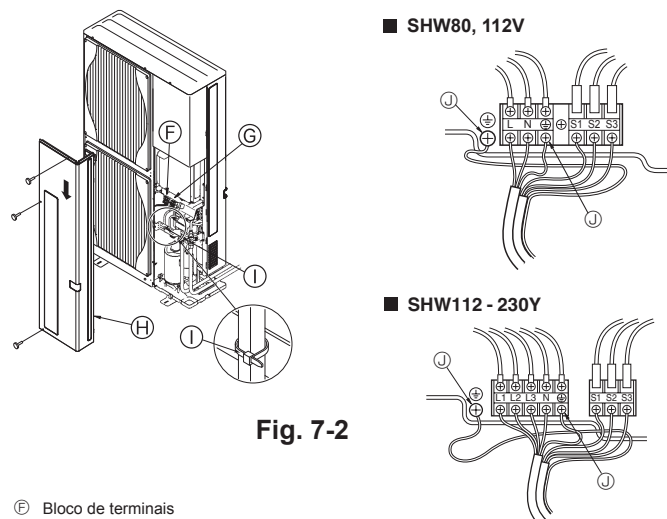


Fig. 7-2

- Ⓕ Bloco de terminais
 Ⓖ Bloco de terminais de ligação interior/exterior (S1, S2, S3)
 Ⓗ Painel de manutenção
 Ⓘ Grampo
 Ⓝ Borne de terra
 * Prenda os cabos para que não fiquem em contacto com o centro do painel de manutenção nem com a válvula do gás.

Nota: Se a chapa de protecção da caixa eléctrica for retirada durante os serviços de manutenção, não se esqueça de a reinstalar.

⚠ Cuidado: Certifique-se de que instala a linha N. Sem a linha N, a unidade poderá ficar danificada.

Nota: Apenas para bomba de calefação ar/água
Quando várias unidades interiores (caixas Hidro) são ligadas à unidade exterior, ligue a placa de circuito impresso de uma das unidades interiores da unidade exterior (S1, S2, S3).

É impossível ligar as placas de circuito impresso de várias unidades interiores à unidade exterior.

7. Trabalho de electricidade

7.2. Cablagem eléctrica

Modelo da unidade exterior		SHW80V	SHW112V	SHW112, 140Y	SHW230Y
Unidade exterior corrente		~N (Monofásica), 50 Hz, 230 V	~N (Monofásica), 50 Hz, 230 V	3N~ (3 fases 4 fios), 400 V	3N~ (3 fases 4 fios), 50 Hz, 400 V
Capacidade de entrada da unidade exterior	*1	32 A	40 A	16 A	25 A
Interruptor principal (Disjuntor)					
Cablagem Fio n.º x secção (mm²)	Unidade exterior corrente	3 x Min. 4	3 x Min. 6	5 x Min. 1,5	5 x Min. 4
	Unidade interior/unidade exterior	*2	3 x 1,5 (Polar)	3 x 1,5 (Polar)	3 x 1,5 (Polar)
	Terra da unidade interior-unidade exterior	*2	1 x Min. 1,5	1 x Min. 1,5	1 x Min. 1,5
	Ligação do controlador remoto/unidade interior	*3	2 x 0,3 (Não polar)	2 x 0,3 (Não polar)	2 x 0,3 (Não polar)
Potência nominal do circuito	Unidade exterior L-N (Monofásica)	*4	230 V CA	230 V CA	230 V CA
	Unidade exterior L1-N, L2-N, L3-N (3 fases)	*4	230 V CA	230 V CA	230 V CA
	Unidade interior/unidade exterior S1-S2	*4	230 V CA	230 V CA	230 V CA
	Unidade interior/unidade exterior S2-S3	*4	24 V CC	24 V CC	24 V CC
Ligação do controlador remoto/unidade interior	*4	12 V CC	12 V CC	12 V CC	12 V CC

*1. Utilize um disjuntor de fuga à terra (NV) com uma separação de, pelo menos, 3,0 mm entre os contactos dos pólos. Certifique-se de que o disjuntor de corrente de fuga é compatível com harmónicos mais altos. Utilize sempre um disjuntor de corrente de fuga que seja compatível com harmónicos mais altos, uma vez que esta unidade está equipada com um inversor. A utilização de um disjuntor inadequado pode provocar o mau funcionamento do inversor.

*2. (SHW80 - 140)

Máx. 45 m

Se forem utilizados 2,5 mm², máx. 50 m

Se forem utilizados 2,5 mm² e S3 separado, máx. 80 m

(SHW230)

Máx. 80 m Total máx. incluindo toda a ligação interior/ exterior é de 80 m.

* Utilize um cabo para S1 e S2 e outro para S3 como indicado na figura.



*3. Existe um fio de 10 m ligado ao acessório do controlo remoto.

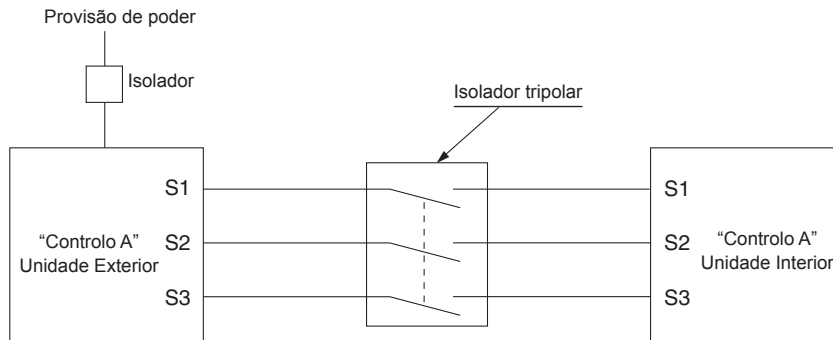
*4. Os valores NÃO se aplicam sempre em relação à terra.

O terminal S3 tem uma diferença de 24 V CC em relação ao terminal S2. Entre os terminais S3 e S1, a ligação NÃO está isolada electricamente pelo transformador ou outro dispositivo.

Notas: 1. A dimensão da cablagem deve estar em conformidade com as regulamentações nacionais e locais aplicáveis.

2. Os cabos de alimentação e os cabos de ligação de ligação da unidade interior/exterior não devem ser inferiores a cabos flexíveis revestidos a policloropreno. (Tipo 60245 IEC 57)

3. Utilize um fio terra que seja maior do que os outros fios, para que não se desligue quando é aplicada tensão.



⚠ Aviso:

- No caso da ligação eléctrica de controlo A, existe a possibilidade de alta tensão no terminal S3, causada por um circuito eléctrico que não possui isolamento eléctrico entre a linha de alta tensão e a linha de sinal de comunicação. Por conseguinte, desligue a fonte de alimentação principal ao fazer qualquer reparação. Além disso, não toque nos terminais S1, S2 e S3 enquanto a corrente estiver ligada. Se tiver de utilizar o isolador entre a unidade interior e a exterior, utilize um do tipo tripolar.
- Com temperaturas inferiores a -20°C, são necessárias, pelo menos, 12 horas em espera para entrar em funcionamento, para que as partes eléctricas aqueçam.

Nunca una o cabo de alimentação ou o cabo de ligação interior-exterior, caso contrário pode resultar em fumo, incêndio ou uma falha de comunicação.

CABO DE LIGAÇÃO INTERIOR-EXTERIOR (SHW230)

Perfil transversal do cabo	Tamanho do fio (mm²)	Número de fios	Polaridade	L (m)*6
Redondo	2,5	3	Sentido dos ponteiros do relógio : S1-S2-S3 * Preste atenção às riscas amarela e verde	(30) *2
Plano	2,5	3	Não aplicável (Porque o fio central não tem cobertura de acabamento)	Não aplicável *5
Plano	1,5	4	Da esquerda para a direita : S1-Aberto-S2-S3	(18) *3
Redondo	2,5	4	Sentido dos ponteiros do relógio : S1-S2-S3-Aberto * Ligue S1 e S3 ao ângulo oposto	(30) *4

*1 : Os cabos de alimentação dos dispositivos não devem ser mais leves do que o design 60245 IEC ou 227 IEC.

*2 : Caso o cabo com riscas amarela e verde esteja disponível.

*3 : Em caso de ligação de polaridade regular (S1-S2-S3), o tamanho do fio é de 1,5 mm².

*4 : Em caso de ligação de polaridade regular (S1-S2-S3).

*5 : Caso os cabos planos sejam ligados conforme indicado nesta figura, estes podem ser usados até 30 m.

*6 : O comprimento do cabo referido serve apenas como referência.

Pode ser diferente, dependendo das condições de instalação, humidade ou materiais, etc.



Certifique-se de que liga os cabos de ligação interior/ exterior directamente às unidades (sem ligações intermédias).

As ligações intermédias podem provocar erros de comunicação caso se dê a entrada de água nos cabos e provocar isolamento à terra insuficiente ou um mau contacto eléctrico no ponto de ligação intermédio.

8. Ensaio (Apenas para ares condicionados)

8.1. Antes do ensaio

- ▶ Depois de concluir a instalação, a cablagem e a tubagem das unidades interior e exterior, verifique se não há fugas de refrigerante, maus contactos na fonte de alimentação ou na cablagem de controlo, polaridade errada e se não foi desligada qualquer fase na alimentação.
- ▶ Utilize um megóhmetro de 500 V para verificar se a resistência entre os terminais da fonte de alimentação e o solo são de pelo menos 1 MΩ.
- ▶ Não execute este ensaio nos terminais da cablagem de controlo (circuito de baixa voltagem).

⚠ Aviso:

Não utilize a unidade exterior se a resistência de isolamento for inferior a 1 MΩ.

Resistência de isolamento

Após a instalação ou após a fonte de alimentação da unidade ter sido cortada durante um período longo, a resistência de isolamento vai diminuir até menos de 1 MΩ, devido à acumulação de refrigerante no compressor. Este facto não representa uma avaria. Efectue as acções que se seguem.

1. Retire os fios do compressor e meça a resistência de isolamento do mesmo.
2. Se a resistência de isolamento estiver abaixo de 1 MΩ, o compressor está a falhar ou a resistência diminuiu devido à acumulação de refrigerante no compressor.
3. Depois de ligar os fios ao compressor, este começará a aquecer assim que a fonte de alimentação for restituída. Depois de fornecer energia para os períodos indicados abaixo, meça a resistência de isolamento novamente.

- A resistência de isolamento diminui devido à acumulação de refrigerante no compressor. A resistência irá subir acima de 1 MΩ depois de o compressor ter aquecido durante 4 horas.
(O tempo necessário para aquecer o compressor varia de acordo com as condições atmosféricas e com a acumulação de refrigerante.)
 - Para que o compressor funcione com acumulação de refrigerante, deve ser aquecido durante pelo menos 12 horas, para evitar avarias.
4. Se a resistência de isolamento subir acima de 1 MΩ, o compressor não está a falhar.

⚠ Cuidado:

- O compressor só funcionará se a ligação da fase da fonte de alimentação for correcta.
 - Ligue a electricidade pelo menos 12 horas antes de dar início à operação.
 - Se começar a operação imediatamente depois de ligar o interruptor principal poderá danificar seriamente peças internas. Mantenha o interruptor ligado durante a estação operacional.
- ▶ Deverá também ser verificado o seguinte.
- A unidade exterior não está a falhar. O LED1 e o LED2 no painel de controlo da unidade exterior ficam intermitentes quando a unidade exterior está a falhar.
 - As válvulas de retenção de gás e de líquido estão completamente abertas.
 - Há uma chapa de protecção que cobre a superfície do painel do interruptor Dip no painel de controlo da unidade exterior. Retire a chapa de protecção para utilizar os interruptores Dip facilmente.

8.2. Ensaio

8.2.1. Utilizar o SW4 na unidade exterior

SW4-1	ON (ligado)	Operação de refrigeração
SW4-2	OFF (desligado)	
SW4-1	ON	Operação de aquecimento
SW4-2	ON	

- * Após realizar o teste de funcionamento coloque SW4-1 em OFF.
- Depois de fornecer energia, pode ouvir-se um "clique" proveniente do interior da unidade exterior. Significa que a válvula de expansão electrónica está a abrir e fechar. A unidade não está a falhar.
- Alguns segundos depois de o compressor começar a funcionar, pode ouvir-se um som metálico proveniente do interior da unidade exterior. O ruído provém da válvula de retenção devido à pequena diferença de pressão nos tubos. A unidade não está a falhar.

O modo de ensaio não pode ser alterado pelo interruptor Dip SW4-2 durante o ensaio. (Para alterar o modo de ensaio durante o mesmo, interrompa-o através do interruptor Dip SW4-1. Depois de alterar o modo de ensaio, recomece o ensaio através do interruptor SW4-1.)

8.2.2. Utilização do controlo remoto

Consulte o manual da instalação da unidade interior.

Nota :

Ocasionalmente, o vapor gerado pela operação de descongelamento pode parecer fumo a sair da unidade exterior.

9. Funções especiais

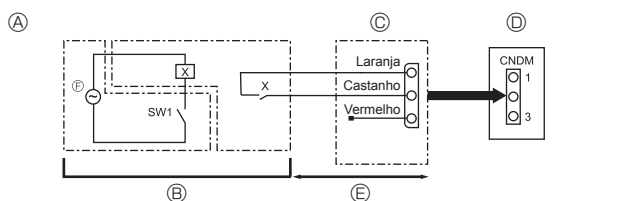


Fig. 9-1

- A Exemplo de diagrama de circuito (modo de baixo nível de ruído)
 B Disposição no local
 C Adaptador de entrada externo (PAC-SC36NA-E)
 X: Relé
 D Painel de controle da unidade exterior
 E Máx. 10 m
 F Alimentação para relé

9.1. Modo de baixo nível de ruído (modificação no local) (Fig. 9-1)

Ao efectuar a alteração que se segue, o ruído de funcionamento da unidade exterior pode ser reduzido em cerca de 3-4 dB.

O modo de baixo nível de ruído será activado quando se adicionar um temporizador à venda no mercado ou um interruptor ON/OFF ao conector CNDM (vendido separadamente) no painel de controlo da unidade exterior.

• A capacidade varia de acordo com a temperatura e condições exteriores.

- Complete o circuito, tal como demonstrado, ao utilizar o adaptador de entrada externo (PAC-SC36NA-E). (vendido separadamente)
- SW1 ligado (ON): Modo de baixo nível de ruído
SW1 desligado (OFF): Funcionamento normal

Nota:

Quando os interruptores Dip SW7-1 e SW9-1 no painel de controlo da unidade exterior estiverem na posição de ligado (ON), mude os interruptores Dip SW7-1 e SW9-1 para a posição de desligado (OFF). (Este modo não pode ser utilizado juntamente com a função de pedido.)

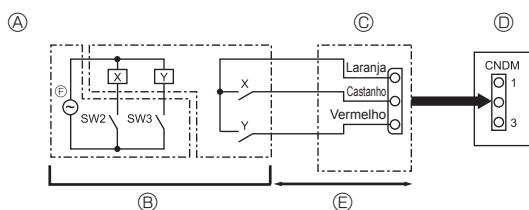


Fig. 9-2

- A Exemplo de diagrama de circuito (Função de pedido)
 B Disposição no local
 C Adaptador de entrada externo (PAC-SC36NA-E)
 X, Y: Relé
 D Painel de controle da unidade exterior
 E Máx. 10 m
 F Alimentação para relé

9.2. Função de pedido (modificação no local) (Fig. 9-2) (apenas para ares condicionados)

Ao efectuar a modificação que se segue, o consumo de energia pode ser reduzido para 0-100% do consumo normal.

A função de pedido será activada quando se adicionar um temporizador à venda no mercado ou um interruptor ON/OFF ao conector CNDM (opção) no painel de controlo da unidade exterior.

- Complete o circuito, tal como demonstrado, ao utilizar o adaptador de entrada externo (PAC-SC36NA-E). (vendido separadamente)
- Regulando SW7-1 no painel de controlo da unidade exterior, o consumo de energia (em relação ao consumo normal) pode ser limitado, conforme indicado abaixo.

	SW7-1	SW2	SW3	Consumo de energia
Função de pedido	ON	OFF	OFF	100%
		ON	OFF	75%
		ON	ON	50%
		OFF	ON	0% (Paragem)

9.3. Recuperação de refrigerante (bombagem)

Quando mudar a unidade interior/exterior de sítio ou quando se desfizer desta, bombeie o sistema efectuando o procedimento apresentado em seguida, de modo a que não seja libertado refrigerante para a atmosfera.

- Desligue a alimentação (disjuntor de circuito).
- Ligue a válvula de baixa pressão do manómetro à ficha de carga (lado da baixa pressão) da unidade exterior.
- Feche completamente a válvula de paragem de líquido.
- Ligue a fonte de alimentação (disjuntor).
 - * Quando for fornecida corrente, certifique-se de que não surge a indicação "CENTRALLY CONTROLLED" (controlado centralmente) no controlo remoto. Se a indicação "CENTRALLY CONTROLLED" surgir, a recuperação de refrigerante não poderá ser concluída normalmente.
 - * O arranque da comunicação interior-exterior demora cerca de 3 minutos após a ligação da fonte de alimentação (disjuntor). Inicie a operação de bombagem 3 a 4 minutos após a ligação da fonte de alimentação (disjuntor).
- Efectue a operação de recuperação de refrigerante (teste de refrigeração).
 - * Prima o interruptor SWP de bombagem (tipo botão de premir) no painel de controlo da unidade exterior. O compressor e os ventiladores (unidades interiores e exteriores) começam a funcionar (a operação de recuperação de refrigerante tem início). (O LED1 e o LED2 no painel de controlo da unidade exterior acendem.)
 - * Só prima o interruptor SWP de bombagem se a unidade estiver desligada. Contudo, mesmo que a unidade esteja desligada e o interruptor SWP de bombagem seja premido menos de 3 minutos depois de o compressor parar, não poderá ser efectuada a operação de recuperação de refrigerante. Aguarde até o compressor estar parado há 3 minutos e depois prima de novo o interruptor SWP de bombagem.
- Feche completamente a válvula esférica do lado do tubo de gás da unidade exterior quando o indicador de pressão do manómetro mostrar 0,05 a 0 MPa [Gauge] (aprox. 0,5 a 0 kgf/cm²) e pare rapidamente a unidade exterior.

- * Se o interruptor SWP de bombagem for premido de novo, a unidade pára.
 - * Uma vez que a unidade pára automaticamente cerca de 3 minutos após a operação de recuperação de refrigerante (LED1 apagado, LED2 aceso), certifique-se de que fecha imediatamente a válvula esférica de retenção de gás. Contudo, se o LED1 estiver aceso, o LED2 apagado e a unidade desligada, abra completamente a válvula de retenção de líquido, feche completamente a válvula após 3 minutos ou mais e, em seguida, repita o passo ⑤. (Abra completamente a válvula esférica de retenção de gás.)
 - * Se a operação de recuperação de refrigerante tiver sido concluída normalmente (LED1 apagado, LED2 aceso), a unidade permanecerá parada até que a fonte de alimentação seja desligada.
 - * Tenha em atenção que, quando a tubagem de extensão é demasiado comprida e existe uma grande quantidade de refrigerante, poderá não ser possível efectuar uma operação de bombagem. Neste caso, utilize um equipamento de recuperação de refrigerante para recuperar todo o refrigerante presente no sistema.
- Desligue a alimentação (disjuntor de circuito), retire o manómetro e desligue em seguida os tubos de refrigerante.

⚠ Aviso:

Quando proceder à bombagem do refrigerante, desligue o compressor antes de desligar os tubos de refrigerante.

- Se os tubos de refrigerante forem desligados durante o funcionamento do compressor com a válvula de paragem (válvula de esfera) aberta, a pressão no ciclo de refrigeração poderá aumentar excessivamente em caso de aspiração de ar e provocar o rebentamento dos tubos, ferimentos, etc.

9.4 Definição da temperatura da função de injeção flash ZUBADAN.

A função injeção flash ZUBADAN atinge um desempenho de aquecimento elevado com temperaturas exteriores baixas.

- O SW9-3 e o SW9-4 no painel de controlo da unidade exterior permitem a definição da temperatura disponível para a função injeção flash ZUBADAN, tal como indicado na tabela abaixo.

SW9-3	SW9-4	Temperatura exterior
OFF	OFF	3°C ou menos (Predefinição)
OFF	ON	0°C ou menos
ON	OFF	-3°C ou menos
ON	ON	-6°C ou menos

10. Controlo do sistema

10.1. Ar condicionado

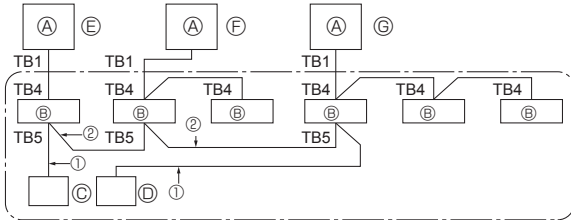
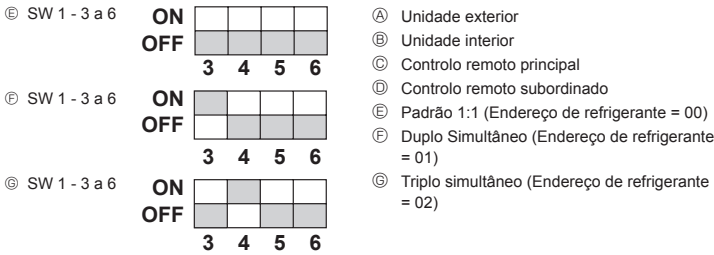


Fig. 10-1

* Ajuste o endereço de refrigerante usando o interruptor Dip da unidade exterior.

① Cablagem do controlo remoto

Este fio está ligado a TB5 (placa de terminais para controlo remoto) da unidade interior (não-polar).

② Quando um grupo de sistema de refrigeração diferente for utilizado.

Um total de 16 sistemas de refrigeração podem ser controlados como um grupo, por meio do controlo remoto MA fino.

Nota:

Num sistema de refrigeração único (twin/triple), não há necessidade de fios ②.

SW1
Tabela de
funções
<SW1>



	Função	Operação de acordo com a definição do interruptor	
		ON	OFF
SW1 Definições de função	1 Descongelação compulsória	Arranque	Normal
	2 Limpar historial de erros	Limpar	Normal
	3 Definição do endereço do sistema de refrigeração	Definições de endereço de 0 a 15 da unidade exterior	
	4		
	5		
	6		

10.2. Bomba de calefação ar/água

Programa o local do refrigerante utilizando o comutador Dip da unidade exterior.

Definição de função SW1

Definição SW1	Local do refrigerante	Definição SW1	Local do refrigerante																		
ON OFF <table border="1"><tr><td></td><td></td><td></td><td></td></tr><tr><td>3</td><td>4</td><td>5</td><td>6</td><td>7</td></tr></table>					3	4	5	6	7	00	ON OFF <table border="1"><tr><td></td><td></td><td></td><td></td></tr><tr><td>3</td><td>4</td><td>5</td><td>6</td><td>7</td></tr></table>					3	4	5	6	7	03
3	4	5	6	7																	
3	4	5	6	7																	
ON OFF <table border="1"><tr><td></td><td></td><td></td><td></td></tr><tr><td>3</td><td>4</td><td>5</td><td>6</td><td>7</td></tr></table>					3	4	5	6	7	01	ON OFF <table border="1"><tr><td></td><td></td><td></td><td></td></tr><tr><td>3</td><td>4</td><td>5</td><td>6</td><td>7</td></tr></table>					3	4	5	6	7	04
3	4	5	6	7																	
3	4	5	6	7																	
ON OFF <table border="1"><tr><td></td><td></td><td></td><td></td></tr><tr><td>3</td><td>4</td><td>5</td><td>6</td><td>7</td></tr></table>					3	4	5	6	7	02	ON OFF <table border="1"><tr><td></td><td></td><td></td><td></td></tr><tr><td>3</td><td>4</td><td>5</td><td>6</td><td>7</td></tr></table>					3	4	5	6	7	05
3	4	5	6	7																	
3	4	5	6	7																	

Nota:

a) Podem ser ligadas até 6 unidades.

b) Seleccione um único modelo para todas as unidades.

c) Para as definições do comutador Dip da unidade interior, consulte o manual de instalação da unidade interior.

11. Especificações

Nível sonoro (Medido sob frequência nominal de funcionamento.)

			SHW80VHA	SHW112Y/VHA	SHW140YHA	SHW230YKA2
SPL	Aquecimento	dB(A)	51	52	52	59
	Refrigeração	dB(A)	50	51	51	58
PWL	Aquecimento	dB(A)	69	70	70	75

Indholdsfortegnelse

1. Sikkerhedsforanstaltninger	90	7. Elektrisk arbejde	96
2. Montagested	91	8. Afprøvning (kun for klimaanlæg)	98
3. Montering af den udendørs enhed	93	9. Specielle funktioner	99
4. Montering af kølemiddelrør	93	10. Systemkontrol	100
5. Føring af drænrør	96	11. Specifikationer	100
6. Føring af vandrør (kun for luft til vand-varmepumpe)	96		



Bemærk: Dette symbol gælder kun for EU-lande.

Symbolet er i overensstemmelse med artikel 14 af direktiv 2012/19/EU Oplysninger til brugere og Tillæg IX.

Dit produkt fra MITSUBISHI ELECTRIC er designet og fremstillet med kvalitetsmaterialer og -komponenter, der kan genbruges.

Dette symbol viser, at elektrisk eller elektronisk udstyr ikke må bortskaffes sammen med almindeligt husholdningsaffald efter endt levetid.

Bortskaf dette udstyr på en lokal genbrugsplads.

I EU er der særskilte indsamlingsordninger for elektriske og elektroniske produkter.

Hjælp os med at bevare det miljø, vi lever i!

⚠ Forsigtig:

- Udluft ikke R410A til atmosfæren:

1. Sikkerhedsforanstaltninger

- ▶ Læs alle "Sikkerhedsforanstaltninger", før De installerer enheden.
- ▶ De skal forhøre Dem hos forsyningskilden før tilslutning til systemet.
- ▶ PUHZ-SHW230YKA2

"Dette udstyr er i overensstemmelse med IEC 61000-3-12, under forudsætning af at kortslutningsstrømmen S_{sc} er større end eller lig med S_{sc} (*1) ved interfacepunktet mellem brugerens forsyning og det offentlige system. Det er installatørens eller udstyrsbrugerens ansvar at sikre, evt. efter kontakt til forsyningselskabet, at udstyret kun sluttes til en forsyning med en kortslutningsstrøm S_{sc} , der er større end eller lig med S_{sc} (*1)"

S_{sc} (*1)

Modeller	S_{sc} (MVA)
PUHZ-SHW230YKA2	1,35

⚠ Advarsel:

Beskriver sikkerhedsforanstaltninger, der skal træffes, for at undgå personskade eller dødsfald.

⚠ Forsigtig:

Beskriver forholdsregler, der skal træffes, for at forhindre at enheden bliver beskadiget.

Efter afslutning af installationsarbejdet skal "Sikkerhedsforanstaltninger", brugen og vedligeholdelsen af enheden forklares for kunden ifølge betjeningsvejledningen. Desuden skal der foretages en testkørsel for at sikre normal funktion. Både installations- og betjeningsvejledningen skal overdrages til brugeren. Disse vejledninger skal gives videre til efterfølgende brugere.

⌚ : Angiver en del, der skal jordforbindes.

⚠ Advarsel:

Læs etiketterne på hovedenheden omhyggeligt.

⚠ Advarsel:

- Enheden må ikke installeres af brugeren. Lad en forhandler eller en autoriseret tekniker installere enheden. Hvis enheden ikke installeres korrekt, kan det resultere i vandlækage, elektrisk stød eller brand.
- Foretag installationen i overensstemmelse med installationsvejledningen, og brug værktøj og rørdel, der er specielt beregnet til anvendelse sammen med R410A kølemiddel. R410A kølemidlet i HFC-systemet er under 1,6 gange højere tryk end sædvanlige kølemidler. Hvis der anvendes rørdel, der ikke er konstrueret til R410A kølemiddel og enheden ikke installeres korrekt, kan rørene sprænges og forårsage beskadigelse eller kvæstelse. Der kan desuden opstå vandlækage, elektrisk stød eller brand.
- For at minimere risikoen for beskadigelse som følge af jordskælv, tyfoner eller kraftigt stormvejr skal enheden installeres ifølge vejledningen. En ukorrekt installeret enhed kan falde ned og forårsage beskadigelse eller kvæstelser.
- Enheden skal monteres fast og sikkert på en underkonstruktion, der kan bære dens vægt. Hvis enheden monteres på en ustabil konstruktion, kan den falde ned og forårsage beskadigelse og kvæstelser.
- Hvis udendørsenheden installeres i et lille rum, skal der tages forholdsregler for at forhindre, at kølemiddelkoncentrationen i rummet overstiger sikkerhedsgrensen i tilfælde af kølemiddellækage. Kontakt en forhandler mht. de passende forholdsregler til forhindring af, at den tilladte koncentration overskrides. Hvis der opstår lækage af kølemidlet, som forårsager overskridelse af koncentrationsgrænsen, kan der opstå livsfare på grund af manglende ilt i rummet.
- Ventil rummet hvis der opstår kølemiddellækage under driften. Hvis kølemidlet kommer i kontakt med åben ild, afgives der giftige gasser.
- Alle elinstallationsarbejder skal udføres af en faguddannet elinstallatør og ifølge de lokale bestemmelser og instruktionerne i denne vejledning. Enheden skal forsynes med strøm fra dertil beregnede forsyningsledninger og med den korrekte spænding og korrekte hovedafbrydere. Strømforsyningsledninger med utilstrækkelig kapacitet eller ukorrekt udført elinstallationsarbejde kan medføre elektrisk stød eller brand.
- Brug C1220 kobber-fosfor legering, for sømløse rør af kobber og kobberlegering, til at samle kølemiddelrør. Hvis rørene ikke samles korrekt, bliver enheden ikke ordentligt jordet, hvilket kan resultere i elektrisk stød.

- Brug kun de anviste kabler til kabelføring. Kabelforbindelserne skal være sikre, så der ikke er belastning af terminalforbindelserne. Undgå desuden at sammensplejse kabler til kabelføring (medmindre andet er anvist i dette dokument). Manglende overholdelse af disse instruktioner kan medføre overophedning eller brand.
- Klemkassens dæksel på den udvendige enhed skal skrues godt fast.
- Hvis dækslet monteres ukorrekt og der kommer støv og fugt ind i enheden, kan der opstå elektrisk stød eller brand.
- Ved installation eller omplacering eller udførelse af service på udendørsenheden, må der udelukkende anvendes kølemiddel (R410A) til at fylde kølemiddellinjerner. Det må ikke blandes med nogen anden type kølemiddel, og der må ikke være luft tilbage i rørene. Hvis der blandes luft sammen med kølemidlet, kan det forårsage et unormalt højt tryk i kølemiddelrøret og resultere i en eksplosion og andre farlige situationer. Hvis der bruges andre kølemidler end det, der er specificeret for systemet, forårsager det mekanisk driftssvigt eller funktionsfejl i systemet eller nedbrud af enheden. I værste fald kan det føre til en alvorlig hindring for produktsikkerheden.
- Brug kun tilbehør, der er godkendt af Mitsubishi Electric og lad en forhandler eller en autoriseret tekniker installere enheden. Hvis udendørsenheden skal repareres eller flyttes, skal det udføres af en forhandler eller en autoriseret tekniker.
- Der må ikke foretages ændringer på enheden. Lad en forhandler foretage reparationer. Hvis ændringer eller reparationer ikke udføres korrekt, kan det resultere i vandlækage, elektrisk stød eller brand.
- Brugeren bør aldrig forsøge at reparere enheden eller flytte den til en anden placering. Hvis enheden ikke installeres korrekt, kan det resultere i vandlækage, elektrisk stød eller brand. Hvis udendørsenheden skal repareres eller flyttes, skal det udføres af en forhandler eller en autoriseret tekniker.
- Når installationen er afsluttet, kontrolleres for kølemiddellækager. Hvis kølemiddel løber ud i rummet og kommer i kontakt med åben ild (f.eks. flammen på en opvarmningsenhed eller et transportabelt kogeudstyr), vil der opstå giftige gasser.

1.1. Inden installationen

⚠ Forsigtig:

- Brug ikke enheden i usædvanlige omgivelser. Hvis udendørsenheden installeres i områder, hvor den udsættes for damp, flygtig olie (inklusive maskinolie) eller svovlholdige gasser, områder med højt saltindhold, som f.eks. ved havet, eller områder, hvor enheden kan blive dækket af sne, kan ydelsen blive betydeligt nedsat, og de indvendige dele kan blive beskadiget.
- Installer ikke enheden på steder, hvor brændbare gasser kan slippe ud, opstå, strømme eller samle sig. Hvis der samler sig brændbare gasser omkring enheden, kan det medføre brand eller eksplosion.

- Udendørs enheden danner kondensvand under opvarmningsdriften. Sørg for at der er afløb omkring den udvendige enhed, hvis denne kondensdannelse kan forårsage skader.
- Hvis enheden installeres i et hospital eller et kommunikationsrum, skal man være forberedt på støj og elektronisk interferens. Omformere, husholdningsapparater, højfrekvent medicinsk udstyr og radiokommunikationsudstyr kan forårsage, at udendørsenheden fungerer forkert eller ødelægges. Udendørsenheden kan også påvirke medicinsk udstyr, kommunikationsudstyr, kvaliteten af skærbilleder og influere på medicinsk behandling.

1. Sikkerhedsforanstaltninger

1.2. Inden installation (flytning)

⚠ Forsigtig:

- Udvis stor omhyggelighed ved transport eller montering af enhederne. Der skal mindst to personer til at håndtere enheden, da den vejer 20 kg eller mere. Løft ikke i emballagebåndene. Anvend beskyttelseshandsker, når enheden tages ud af emballagen eller flyttes, da hænderne kan blive kvæstet af ribberne eller andre deles kanter.
- Sørg for at bortskaffe emballagen efter gældende regler. Emballagematerialer, som f.eks. søm og andre metal- eller trædele kan forårsage rifter eller andre kvæstelser.

- Grundenheden og tilbehør på udendørsenheden skal regelmæssigt kontrolleres for løse forbindelser, revner eller anden skade. Hvis sådanne defekter ikke repareres, kan enheden falde ned og forårsage skade eller kvæstelser.
- Udendørsenheden må ikke rengøres med vand. Dette kan medføre elektrisk stød.
- Spænd alle brystmøtrikker efter specifikationerne med en momentnøgle. Hvis den spændes for stramt, kan brystmøtrikken knække efter et stykke tid og kølemidlet kan løbe ud.

1.3. Inden el-arbejde

⚠ Forsigtig:

- Sørg for at installere hovedafbrydere. Hvis de ikke installeres, kan der opstå elektrisk stød.
- Brug standard kabler med tilstrækkelig kapacitet til forsyningsledningerne. Ellers kan der opstå kortslutning, overophedning eller brand.
- Ved installation af forsyningsledningerne må der ikke være træk i kablerne. Hvis tilslutningerne løsnes, kan kablerne springe tilbage eller knække, hvilket kan forårsage overophedning eller brand.

- Sørg for at jordforbinde enheden. Forbind ikke jordledningen til gas- eller vandrør, lynafledere eller telefonjordledninger. Hvis enheden ikke er korrekt jordet, kan det resultere i elektrisk stød.
- Brug mekaniske effektafbrydere (HFI-relæ, hovedafbryder (+B sikring) og effektafbryder i støbt hus) med den specificerede kapacitet. Hvis effektafbryderens kapacitet er større end den specificerede kapacitet, kan det resultere i nedbrud eller brand.

1.4. Inden start af testkørsel (kun for klimaanlæg)

⚠ Forsigtig:

- Tænd hovedafbryderen mere end 12 timer før start af driften. Hvis driften startes straks efter, at hovedafbryderen er tændt, kan der opstå alvorlige skader på de indvendige dele. Sørg for at hovedafbryderen er tændt i hele driftssæsonen.
- Inden start af driften skal det kontrolleres, at alle paneler, beskyttelsesdæksler og andre beskyttelsesdele er korrekt monteret. Roterende, varme eller højspændings dele kan forårsage kvæstelser.

- Rør ikke ved nogen kontakt med våde eller fugtige hænder. Dette kan medføre elektrisk stød.
- Berør ikke kølemiddelrørene med de bare hænder under driften. Kølemiddelrørene er varme eller kolde afhængig af tilstanden af det gennemstrømmende kølemiddel. Hvis rørene berøres, kan der opstå forbrændinger eller forfrysninger.
- Efter standsning af driften skal der ventes i mindst 5 minutter, inden der slukkes på hovedafbryderen. Ellers kan det resultere i vandlækage eller nedbrud.

1.5. Anvendelse af kølemidlet R410A i udendørsenheden

⚠ Forsigtig:

- Brug C1220 kobber-fosfor legering, for sømløse rør af kobber og kobberlegering, til at samle kølemiddelrør. Kontrollér at det indvendige af rørene er rene og ikke indeholder skadelige forureninger som f.eks. svovlholdige blandinger, oxidanter, affald eller støv. Brug rør med den specificerede tykkelse. (Se 4.1.) Bemærk følgende, hvis eksisterende rør, der har været brugt til R22 kølemiddel, genanvendes.
 - Udskift de eksisterende brystmøtrikker og opkrav de opkravede sektioner igen.
 - Anvend ikke tynde rør. (Se 4.1.)
- Opbevar de rør, der skal anvendes, indendørs og hold begge ender af rørene lukkede indtil lige før lodningen. (Lad knæsamlinger osv. forblive i deres emballage.) Hvis der kommer støv, affald eller fugt ind i kølemiddelrørene, kan det medføre forringelse af olien eller nedbrud af kompressoren.
- Brug ester-olie, ether-olie eller alkybenzen-olie (i lille mængde) som kølemiddelolie til at smøre på de opkravede sektioner. Hvis mineralolie blandes med kølemiddelolien, kan det forringe olien.
- Der må ikke anvendes andre kølemidler end R410A kølemiddel. Hvis der anvendes andre kølemidler, vil klorindholdet forringe olien.

- Brug følgende værktøj, der er specielt beregnet til anvendelse sammen med R410A kølemiddel. Følgende værktøj er nødvendigt ved anvendelse af R410A kølemiddel. Ved spørgsmål kontaktes den nærmeste forhandler.

Værktøj (til R410A)	
Målermanifold	Opkravningsværktøj
Påfyldningslange	Størrelsesmåler
Gaslækage detektor	Vakuumpumpeadapter
Momentnøgle	Elektronisk kølemiddelpåfyldningsskala

- Sørg for at anvende det korrekte værktøj. Hvis der kommer støv, affald eller fugt ind i kølemiddelrørene, kan det medføre forringelse af kølemiddelolien.
- Anvend ikke en påfyldningscylinder. Hvis der bruges en påfyldningscylinder, vil sammensætningen af kølemidlet blive ændret, hvilket vil nedsætte effektiviteten.

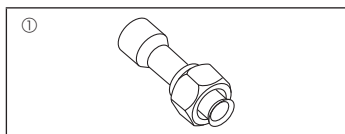


Fig. 1-1

1.6. Tilbehør til udvendig enhed (Fig. 1-1) (SHW230)

Delene, der vises til venstre, er tilbehør til denne enhed, som anbringes på indersiden af servicepanelet.

- ① Samlerør.....x1

2. Montagedsted

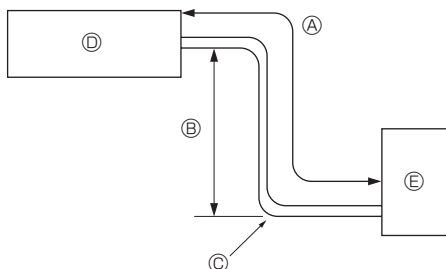


Fig. 2-1

2.1. Kølerør (Fig. 2-1)

- ▶ Kontroller, at forskellen mellem højden på den indendørs og den udendørs enhed, længden af kølerørføringen og antallet af bøjninger på rørføringen er indenfor de nedenfor viste grænser.

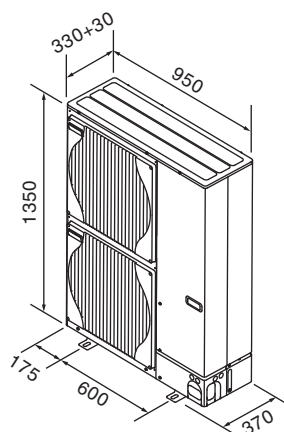
Modeller	Ⓐ Længde af rørføring (en vej)	Ⓑ Højdeforskel	Ⓒ Antal bøjninger (en vej)
SHW80, 112, 140	2 m - 75 m	Maks. 30 m	Maks. 15
SHW230	2 m - 80 m	Maks. 30 m	Maks. 15

- Grænserne for højdeforskel gælder, ligegyldigt hvilken enhed (den indendørs eller den udendørs), der er placeret højest.

- Ⓓ Indendørs enhed
- Ⓔ Udendørs enhed

2. Montagested

■ SHW80, 112, 140



■ SHW230

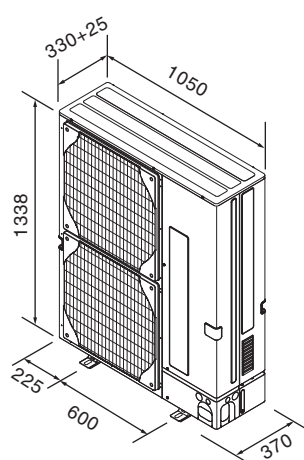


Fig. 2-2

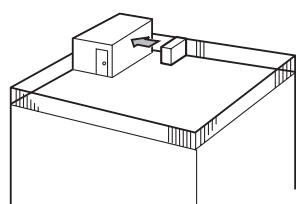


Fig. 2-3

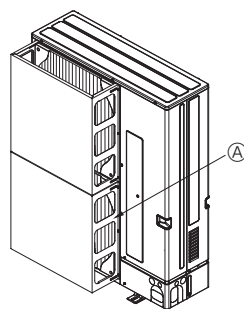


Fig. 2-4

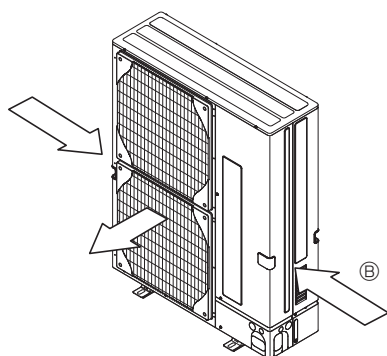


Fig. 2-5

2.2. Valg af placering af den udvendige enhed

- Undgå placeringer, der er udsat for direkte sollys eller andre varmekilder.
- Vælg en placering, hvor støj fra enheden ikke forstyrrer naboerne.
- Vælg en placering, der tillader nem adgang for rør- og ledningsføring til forsyningskilderne og til indendørs enheden.
- Undgå placeringer, hvor brændbare gasser kan lække, opstå, strømme eller samle sig.
- Vær opmærksom på, at der kan løbe vand fra enheden under driften.
- Vælg en vandret placering, der kan bære vægten af og modstå vibrationer fra enheden.
- Undgå placeringer, hvor enheden kan blive dækket af sne. I områder, hvor der kan forventes kraftigt snefald, skal der tages særlige forholdsregler som f.eks. at hæve placeringen af enheden eller montere en hætte på luftindtaget for at forhindre, at sneen blokerer luftindtaget eller blæser direkte imod det. Dette kan reducere luftstrømmen og medføre fejlfunktion.
- Undgå placeringer, der udsættes for olie, damp eller svovlholdige gasser.
- Brug transporthåndtagene på udendørs enheden, når den skal transporteres. Hvis enheden bæres i bunden, kan hænder eller fingre komme i klemme.

2.3. Udvendige mål (Udendørs enhed) (Fig. 2-2)

2.4. Plads til ventilation og service

2.4.1. Installation på et sted med megen blæst

Hvis udendørs enheden installeres på et tag eller et andet sted, hvor den er ubeskyttet imod blæsten, skal enhedens luftudblæsning anbringes, så den ikke udsættes direkte for kraftig blæst. Hvis stærk blæst kommer ind i luftudblæsningen, kan det hæmme den normale luftstrøm og medføre fejlfunktion.

I det følgende vises tre eksempler på forholdsregler imod stærk blæst.

- ① Anbring udblæsningen, så den vender imod den nærmeste væg og ca. 50 cm fra den. (Fig. 2-3)
- ② Montér en ekstra luftledeskærm på steder, hvor kraftig vind kan blæse direkte ind i luftudgangen (Fig. 2-4).
 - Ⓐ Luftledeskærm
- ③ Anbring om muligt enheden således, at luftudblæsningen blæser vinkelret på den fremherskende vindretning. (Fig. 2-5)
 - Ⓑ Vindretning

2.4.2. Ved installation af en enkelt udendørs enhed (Se sidste side)

Der er følgende minimumsmål, bortset fra angivne maks., der betyder maksimumsmål. Se disse henvisninger i hvert enkelt tilfælde.

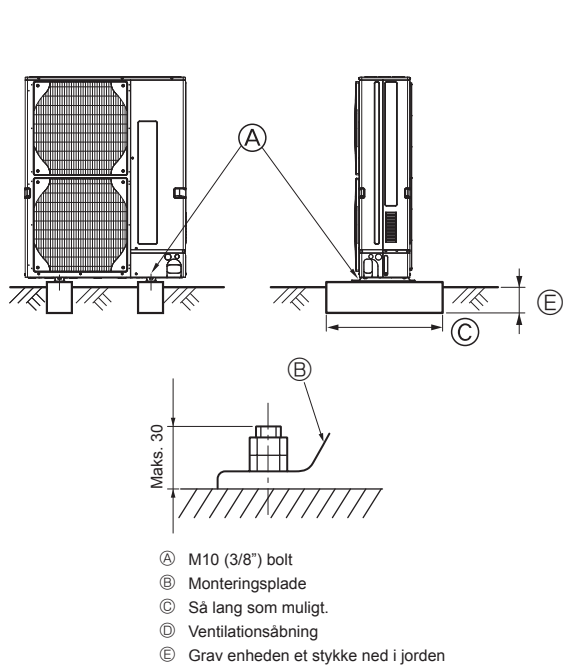
- ① Kun forhindringer bagved (Fig. 2-6)
- ② Kun forhindringer bagved og ovenover (Fig. 2-7)
- ③ Kun forhindringer bagved og i siderne (Fig. 2-8)
- ④ Kun forhindringer foran (Fig. 2-9)
 - * Når der bruges ledeskærm til luftudledning, er afstanden 500 mm eller derover.
- ⑤ Kun forhindringer foran og bagved (Fig. 2-10)
 - * Når der bruges ledeskærm til luftudledning, er afstanden 500 mm eller derover.
- ⑥ Kun forhindringer bagved, i siderne og ovenover (Fig. 2-11)
 - * Brug ikke udblæsningsledepladerne (ekstraudstyr) til luftstrøm opad.

2.4.3. Ved installation af flere udendørs enheder (Se sidste side)

Lad der være 10 mm eller derover mellem enhederne.

- ① Kun forhindringer bagved (Fig. 2-12)
- ② Kun forhindringer bagved og ovenover (Fig. 2-13)
 - Der må ikke installeres mere end tre enheder ved siden af hinanden. Der skal desuden være afstand som vist.
 - Brug ikke udblæsningsledepladerne (ekstraudstyr) til luftstrøm opad.
- ③ Kun forhindringer foran (Fig. 2-14)
 - * Når der bruges ledeskærm til luftudledning, er afstanden 1000 mm eller derover.
- ④ Kun forhindringer foran og bagved (Fig. 2-15)
 - * Når der bruges ledeskærm til luftudledning, er afstanden 1000 mm eller derover.
- ⑤ Enkelt parallel enhed arrangement (Fig. 2-16)
 - * Hvis der anvendes udblæsningsledeplade (ekstraudstyr) til luftstrøm opad, skal den fri afstand være 1000 mm eller mere.
- ⑥ Flere parallelle enheder arrangement (Fig. 2-17)
 - * Hvis der anvendes udblæsningsledeplade (ekstraudstyr) til luftstrøm opad, skal den fri afstand være 1500 mm eller mere.
- ⑦ Stablede enheder arrangement (Fig. 2-18)
 - Enhederne kan stables i op til 2 enheders højde.
 - Der må ikke installeres mere end 2 stablede enheder ved siden af hinanden. Der skal desuden være afstand som vist.

3. Montering af den udendørs enhed



(mm)

- Enheden skal monteres på en solid, plan overflade for at forhindre raslelyde under anvendelsen. (Fig. 3-1)

<Specifikationer for fundament>

Fundamentbolt	M10 (3/8")
Betontykkelse	120 mm
Boltlængde	70 mm
Belastningskapacitet	320 kg

- Kontroller at fundamentboltene er mindre end 30 mm fra monteringspladens bund.
- Fastgør monteringspladen omhyggeligt med fire M10-fundamentbolte på solide steder.

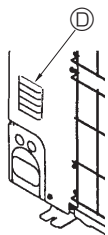
Installation af udendørs enheden

- Sørg for ikke at blokere ventilationsåbningen. Hvis ventilationsåbningen blokeres, vil driften blive forhindret og der kan opstå nedbrud.
- Udover enhedens underdel kan man om nødvendigt anvende installationshul- lerne på bagsiden, der er beregnet til ledninger mm., til installation af enheden. Brug selvskærende skruer (ø5 × 15 mm eller mindre) og monter på stedet.

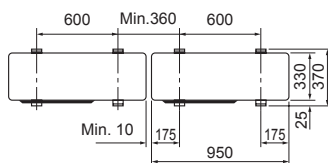
⚠ Advarsel:

- Enheden skal monteres fast og sikkert på en underkonstruktion, der kan bære dens vægt. Hvis enheden monteres på en ustabil konstruktion, kan den falde ned og forårsage beskadigelse og kvæstelser.
- For at minimere risikoen for beskadigelse som følge af jordskælv, tyfoner eller kraftigt stormvejr skal enheden installeres ifølge vejledningen. En ukorrekt installeret enhed kan falde ned og forårsage beskadigelse eller kvæstelser.

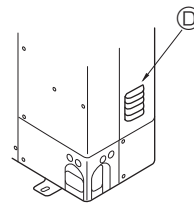
■ SHW80, 112, 140



■ SHW80, 112, 140



■ SHW230



■ SHW230

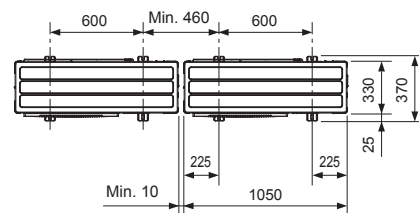


Fig. 3-1

4. Montering af kølemiddelrør

4.1. Forholdsregler for apparater der anvender R410A kølemiddel

- Se 1.5. for forholdsregler, der ikke er angivet nedenfor, vedrørende anvendelse af udendørsenheden med kølemidlet R410A.
- Brug ester-olie, ether-olie eller alkylbenzen-olie (i lille mængde) som kølemiddelolie til at smøre på de opravede sektioner.
- Brug C1220 kobber-fosfor legering, for sømløse rør af kobber og kobberlegering, til at samle kølemiddelrør. Brug kølemiddelrør med den tykkelse, der er angivet i skemaet nedenfor. Kontrollér at det indvendige af rørene er rene og ikke indeholder skadelige forureninger som f.eks. svovlholdige blandinger, oxidanter, affald eller støv. Anvend altid en ikke-oxiderende lodning ved lodning af rørene, ellers kan kompressoren tage skade.

⚠ Advarsel:

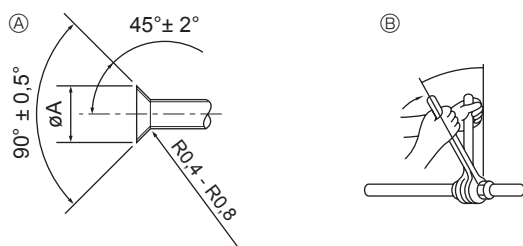
Ved installation eller omplacering eller udførelse af service på udendørsenheden, må der udelukkende anvendes kølemiddel (R410A) til at fylde kølemiddellinjerne. Det må ikke blandes med nogen anden type kølemiddel, og der må ikke være luft tilbage i rørene.

Hvis der blandes luft sammen med kølemidlet, kan det forårsage et unormalt højt tryk i kølemiddelrøret og resultere i en eksplosion og andre farlige situationer. Hvis der bruges andre kølemidler end det, der er specificeret for systemet, forårsager det mekanisk driftssvigt eller funktionsfejl i systemet eller nedbrud af enheden. I værste fald kan det føre til en alvorlig hindring for produktsikkerheden.

Rørstørrelse (mm)	ø6,35	ø9,52	ø12,7	ø15,88	ø19,05	ø22,2	ø25,4	ø28,58
Tykkelse (mm)	0,8	0,8	0,8	1,0	1,0	1,0	1,0	1,0

- Anvend ikke rør med mindre tykkelse end angivet ovenfor.
- Brug 1/2 H eller H rør, hvis diameteren er 19,05 mm eller større.

4. Montering af kølemiddelrør



- Ⓐ Skæremål for kraver
Ⓑ Tilspændingsmoment for omløbermøtrik

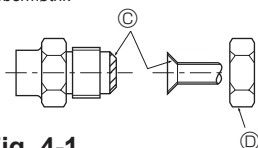


Fig. 4-1

Ⓐ (Fig. 4-1)

Kobberrør udv. dia (mm)	Kravemål ØA-mål (mm)
Ø6,35	8,7 - 9,1
Ø9,52	12,8 - 13,2
Ø12,7	16,2 - 16,6
Ø15,88	19,3 - 19,7
Ø19,05	23,6 - 24,0

Ⓑ (Fig. 4-1)

Kobberrør udv. dia (mm)	Omløbermøtrik, udv. dia (mm)	Tilspændingsmoment (N·m)
Ø6,35	17	14 - 18
Ø6,35	22	34 - 42
Ø9,52	22	34 - 42
Ø12,7	26	49 - 61
Ø12,7	29	68 - 82
Ø15,88	29	68 - 82
Ø15,88	36	100 - 120
Ø19,05	36	100 - 120

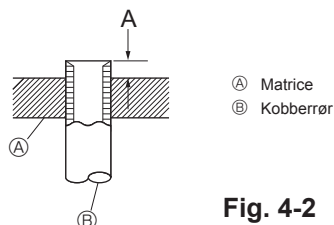


Fig. 4-2

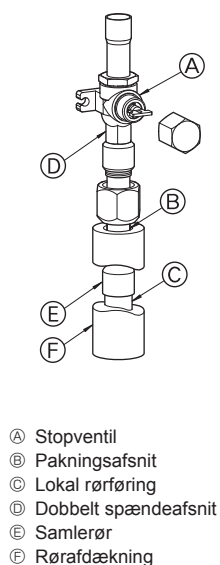


Fig. 4-3

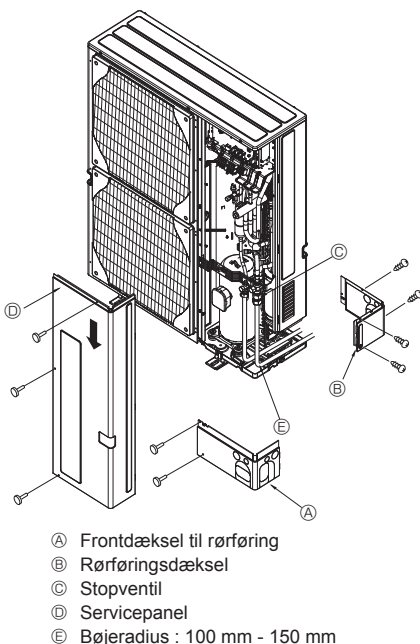


Fig. 4-4

4.2. Forbindelsesrør (Fig. 4-1)

- Når der anvendes almindelige kobberrør, pakkes væske- og gasrør ind i almindeligt isoleringsmateriale (varmebestandigt indtil 100°C eller derover, tykkelse 12 mm eller derover).
- Sørg for at placere termisk isolation separat på gas- og kølevæskerør.
- De indendørs dele af drænrøret skal pakkes ind i isoleringsmateriale af polyethylenskum (massefylde på 0,03, tykkelse på 9 mm eller derover).
- Kom et tyndt lag køleolie på rør og samlingsoverflade, før stramning af brystmøtrikken. Ⓐ
- Anvend 2 skruenøgler til at spænde rørforbindelserne. Ⓑ
- Anvend en lækagedetektor eller sæbevand til at kontrollere for gaslækager efter færdiggørelse af forbindelser.
- Påfør kølemaskineolie på hele opkravningssædets overflade. Ⓒ
- Brug koniske møtrikker til følgende rørstørrelse. Ⓓ

		SHW80, 112, 140	SHW230
Gasside	Rørstørrelse (mm)	Ø15,88	Ø25,4
Væskeside	Rørstørrelse (mm)	Ø9,52	Ø12,7

- Pas på ikke at knække rørene, når de bøjes. Bøjningsradier på 100 mm til 150 mm er passende.
- Sørg for at rørene ikke rører kompressoren. Ellers kan der opstå unormal støj eller vibrationer.

- Tilslutning af rørene skal påbegyndes fra indendørs enheden. Brystmøtrikker skal fastspændes med en momentnøgle.
- Opkrav væskerørene og gasrørene og påfør et tyndt lag kølemiddelolie (påføres på stedet).
- Når der anvendes normal rørtætning, refereres til skema 1 for opkravning af R410A kølemiddelrør. Størrelsesmåleren kan anvendes til kontrol af A-mål.

Skema 1 (Fig. 4-2)

Kobberrør udv. dia (mm)	A (mm)	
	Kravenøgle til R410A	Kravenøgle til R22-R407C
	Koblingstype	
Ø6,35 (1/4")	0 - 0,5	1,0 - 1,5
Ø9,52 (3/8")	0 - 0,5	1,0 - 1,5
Ø12,7 (1/2")	0 - 0,5	1,0 - 1,5
Ø15,88 (5/8")	0 - 0,5	1,0 - 1,5
Ø19,05 (3/4")	0 - 0,5	1,0 - 1,5

- Følg nedenstående procedure for tilslutning af rør på gassiden. (Fig. 4-3) (SHW230)

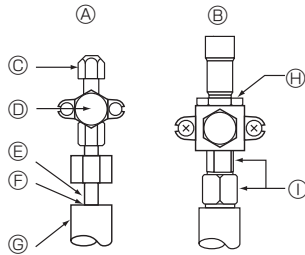
- Lod samlerøret Ⓒ på udendørsenheden vha. almindeligt lodmateriale og den lokale rørføring Ⓓ uden oxygen.
- Forbind samlerøret Ⓒ til stopventilen på gassiden. Brug to tænger til stramning af flangemøtrikken.
* Hvis dette udføres i omvendt rækkefølge, løber der kølemiddel ud, da delen beskadiges af loddevarmen.

4.3. Kølerør (Fig. 4-4)

Afmonter servicepanelet Ⓓ (3 skruer) og rørfafdækningen foran Ⓐ (2 skruer) og rørfafdækningen bagtil Ⓑ (2 skruer: SHW80 - 140) (4 skruer: SHW230).

- Tilslut kølemiddelrørene til den indendørs/udendørs enhed, når den udendørs enheds stopventil er lukket helt.
- Evakuér luft fra indendørsenheden og rørforbindelserne.
- Når kølemiddelrørene er forbundet, skal rørene og den indvendige enhed kontrolleres for gaslækage. (Se 4.4. Metode til lufttæthedstest for kølemiddelrør.)
- Der anvendes en højtydende vakuumpumpe ved stopventilens serviceport til opretholdelse af vakuum i et tilstrækkeligt tidsrum (min. en time, efter at -101 kPa (5 Torr) er nået for at vakuamtørre rørene indvendigt. Kontrollér altid vakuumnivået på målemanifolden. Hvis der stadig er fugt i røret, nås vakuumnivået ikke altid ved kortvarig påførsel af vakuum. Efter vakuumsugning skal stopventilerne (for både væske og gas) på udendørsenheden åbnes. Dermed forbindes det indendørs og det udendørs kølekredsløb helt.
 - Ved utilstrækkelig vakuumsugning står der luft og vanddamp tilbage i kølekredsløbene, hvilket kan forårsage en unormal stigning til højt tryk, et unormalt fald til lavt tryk, forringelse af frysemaskinens olie pga. fugt etc.
 - Hvis stopventilerne forbliver lukkede og enheden sættes i drift, vil kompressoren og kontrolventilen blive beskadiget.
 - Brug en lækage detektor eller sæbevand til at kontrollere for gaslækage på udendørs enhedens rørforbindelser.
 - Der må ikke foretages gennemskylning af kølemiddelrørene med kølemidlet fra enheden for at fjerne luft fra rørene.
 - Efter afslutning af ventilarbejdet fastspændes ventilhætterne med det korrekte moment: 20 til 25 N·m (200 til 250 kgf·cm). Hvis hætterne ikke sættes på igen og spændes, kan der opstå kølemiddel-lækage. Desuden må ventilhætterne ikke blive beskadiget indvendigt, da de fungerer som tætning for at forhindre kølemiddellækage.
- Brug tætningsmiddel til at tætte enderne af isoleringsmateriale omkring rørsektionerne for at forhindre, at der kommer vand ind i isoleringsmateriale.

4. Montering af kølemiddelrør



- A Stopventil <væskeside>
 B Stopventil <gasside>
 C Serviceport
 D Åbne/lukke-sektion
 E Pladsmonteret rør
 F Tætning, samme vej for gasside
 G Rørbeklædning
 H Her må der ikke bruges en nøgle.
 Risiko for kølemiddellækage.
 I Her skal bruges 2 nøgler.

Fig. 4-5

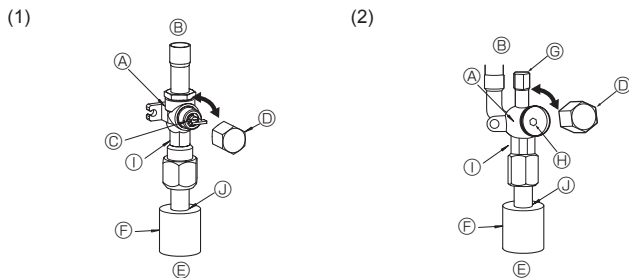
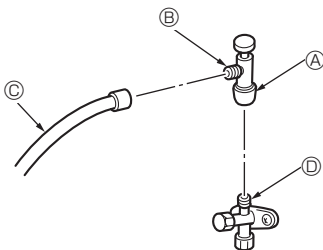


Fig. 4-6

Fig. 4-7

- A Ventil
 B Enhedsside
 C Håndtag
 D Slutmuffe
 E Pladsmonteret rørside
 F Slutmuffe
 G Serviceport
 H Hul til nøgle
 I Dobbelt nøgle
 (Anvend ikke andre nøgler på dette sted. Der kan opstå kølemiddellækager.)
 J Tætning
 (Tætn enden af det varmeisolerende materiale ved rørforbindelsen med forhåndværende tætningsmateriale, så der ikke trænger vand ind i det varmeisolerende materiale.)



- * Tallet til venstre er kun et eksempel. Stopventilens form, serviceportens placering etc. kan variere afhængigt af model.
 * Drej kun sektion A. (Spænd ikke sektionerne A og B yderligere sammen.)
 C Påfyldningsslange
 D Serviceport

Fig. 4-8

4.6. Tilsætning af kølemiddel

- Det er ikke nødvendigt med ekstra påfyldning af denne enhed, hvis rørlængden ikke overstiger 30 m.
- Hvis rørlængden er over 30 m, skal enheden påfyldes yderligere R410A-kølemiddel ud fra tallene for tilladte rørlængder i skemaet nedenfor.
 - * Når enheden er stoppet, påfyldes enheden med det ekstra kølemiddel gennem væskestopventilen, efter at rørforlængelserne og indendørs enheden er påført vakuum.
 - Når enheden er i drift, tilføres kølemiddel gennem gaskontrolventilen ved hjælp af en sikkerheds-påfyldningsenhed. Tilføj ikke kølemiddel i væskeform direkte gennem kontrolventilen.

Modeller	Tilladt rørlængde	Tilladt lodret difference	Indledende påfyldning af kølemiddel	Ekstra kølemiddelpåfyldningsmængde			
				31 - 40 m	41 - 50 m	51 - 60 m	61 - 75 m
SHW80, 112, 140	2 m - 75 m	Max. 30 m	5,5 kg	0,6 kg	1,2 kg	1,8 kg	2,4 kg

Modeller	Tilladt rørlængde	Tilladt lodret difference	Indledende påfyldning af kølemiddel	Betjeningsmetode	Væskerørrets størrelse	Ekstra kølemiddelpåfyldningsmængde					
						21 - 30 m	31 - 40 m	41 - 50 m	51 - 60 m	61 - 70 m	71 - 80 m
SHW230	2 m - 80 m ^{*1}	Max. 30 m	7,1 kg	ATW	∅ 12,7	–	1,4 kg	2,8 kg	4,2 kg	5,6 kg	7,0 kg
					∅ 9,52	–	–	0,8 kg	1,7 kg	2,6 kg	3,5 kg
				ATA / AHU	∅ 12,7	1,4 kg	2,8 kg	4,2 kg	5,6 kg	7,0 kg	8,4 kg
					∅ 9,52	–	0,8 kg	1,7 kg	2,6 kg	3,5 kg	4,4 kg

*1. Indstil kontrolpanelet SW8-2 til ON, når rørets længde er højst 10 m (SHW230YKA2R2 eller senere).

4.4. Metode til lufttæthedstest for kølemiddelrør (Fig. 4-5)

- (1) Tilslut testværktøjet.
 - Kontrollér at stopventilerne A og B er lukkede og sørg for ikke at åbne dem.
 - Påfør tryk på kølemiddelrørene gennem servicepunktet C på væskestopventilen A.
- (2) Påfør ikke hele det specificerede tryk på én gang, men lidt efter lidt.
 - 1 Påfør tryk til 0,5 MPa (5 kgf/cm²G), vent 5 minutter, og kontrollér at trykket ikke falder.
 - 2 Påfør tryk til 1,5 MPa (15 kgf/cm²G), vent 5 minutter, og kontrollér at trykket ikke falder.
 - 3 Påfør tryk til 4,15 MPa (41,5 kgf/cm²G) og mål den omgivende temperatur og kølemiddeltrykket.
- (3) Hvis det specificerede tryk holder i ca. 1 dag og ikke falder, er der ingen lækage og rørene kan godkendes.
 - Hvis den omgivende temperatur ændres med 1°C, vil trykket ændres med ca. 0,01 MPa (0,1 kgf/cm²G). Foretag de nødvendige korrektioner.
- (4) Hvis trykket falder i trin (2) eller (3), er der en gaslækage. Søg efter kilden til gaslækagen.

4.5. Stopventil, åbnemetode

Åbningsmetoden for stopventilen varierer afhængigt af udendørsenhedsmodel. Brug den relevante metode til åbning af stopventilerne.

- (1) Gasside (Fig. 4-6)
 - 1 Afmonter hættten, træk håndtaget hen imod Dem og drej en 1/4 omgang mod uret for at åbne.
 - 2 Kontrollér, at stopventilen er helt åben, skub håndtaget ind og drej hættten tilbage til den oprindelige position.
- (2) Væskeside (Fig. 4-7)
 - 1 Fjern dækslet, og drej ventilspindlen mod uret så langt som muligt vha. en 4 mm sekskantet skruenøgle. Stop med at dreje, når den når stopperen (∅9,52: ca. 10 omgang).
 - 2 Kontrollér, at stopventilen er helt åben, skub håndtaget ind og drej hættten tilbage til den oprindelige position.

Kølemiddelrør er forsynet med beskyttelsesbeklædning

- Rørene kan omvikles med beskyttelsesbeklædning op til en diameter på ∅90 før eller efter rørene forbindes. Skær udsparingen i rørbeklædningen ud ved at følge rillen og vikl beklædningen omkring rørene.

Rørindgangsåbning

- Brug kit eller tætningsmiddel til at tætn rørindgangsåbningen omkring rørene, så der ikke er nogen åben spalte.

(Hvis spalterne ikke lukkes, kan der blive udsendt støj eller der kan komme vand og støv ind i enheden, hvilket kan resultere i nedbrud.)

Forholdsregler ved brug af påfyldningsventilen (Fig. 4-8)

Spænd ikke serviceporten for kraftigt under installation. Ventilindsatsen kan blive deformet eller blive løs og forårsage udsivning af gas.

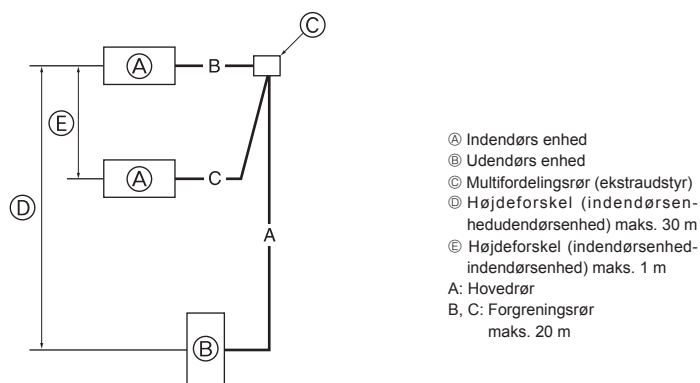
Når sektion B er placeret i den ønskede retning, drejes kun sektion A, hvorefter den spændes. Spænd ikke sektionerne A og B yderligere sammen, efter spænding af sektion A.

⚠ Advarsel:

Tilslut omhyggeligt rørene, før kompressoren startes, når enheden installeres.

4. Montering af kølemiddelrør

<Begrænsning for installation af kølemiddelrør>



SHW112, 140 : $A+B+C \leq 75$ m
SHW230 : $A+B+C \leq 80$ m

Fig. 4-9

4.7. For dobbelt/tredobbelt/firdobbelt kombination (Fig. 4-9) (kun for klima anlæg)

- Når denne enhed bruges som en FRIT SAMMENSAT FLERSYSTEMS-enhed, skal kølemiddelrørene installeres med de restriktioner, der er angivet på tegningen til venstre. Hvis restriktionerne derudover vil blive overskredet, eller hvis der skal være en kombination af indendørs og udendørs enheder, henvises til installationsinstruktionerne til den indendørs enhed for detaljer omkring installationen.

Udendørs enhed	Den tilladte totale rørlængde A+B+C	Påfyldning, mindre rørlængde A+B+C
SHW112, 140	75 m eller mindre	30 m eller mindre
SHW230	80 m eller mindre	30 m eller mindre

Udendørs enhed	B-C	Antal bøjninger
SHW112, 140, 230	8 m eller mindre	Inden for 15

5. Føring af drænrør

Udendørs enheds drænrørsforbindelser

PUHZ-SHW-serien kan ikke tilsluttes med et drænrør pga. specifikationen koldt område.

6. Føring af vandrør (kun for luft til vand-varmepumpe)

Minimumvandmængde

Den følgende vandmængde er krævet i vandkredsløbet.

Model	Minimumvandmængde (L)
SHW80	34
SHW112	48
SHW140	60
SHW230	99

Sørg for at beskytte mod frost, f.eks. ved at anvende et antifrostmiddel, når enheden bruges i køletilstand ved lave rumtemperaturer (under 0° C).

7. Elektrisk arbejde

7.1. Udendørs enhed (Fig. 7-1, Fig. 7-2)

- Afmonter servicepanelet.
- Før kablerne som angivet i Fig. 7-1 og Fig. 7-2

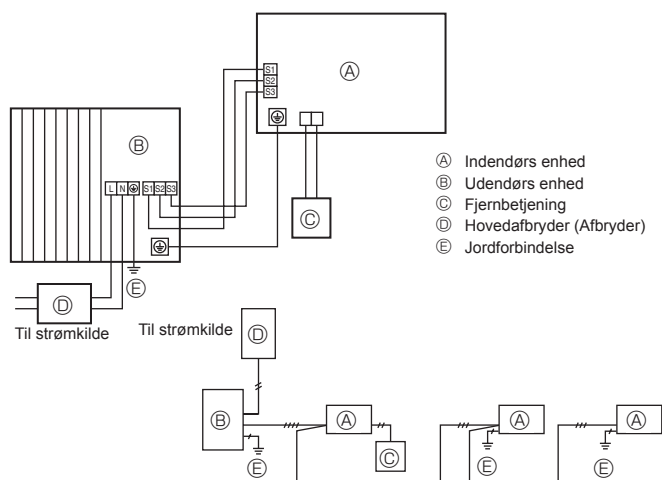
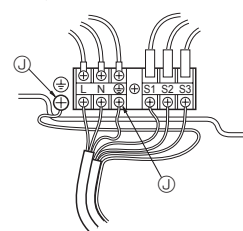


Fig. 7-1

SHW80, 112V



SHW112 - 230Y

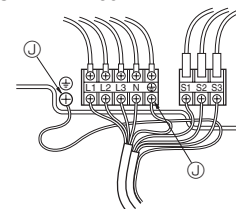
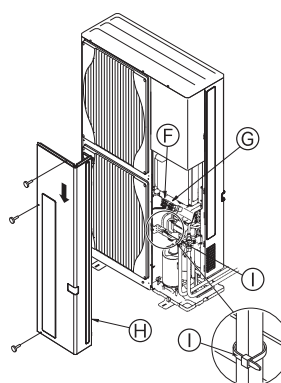


Fig. 7-2



- F: Klemkasse
- G: Indendørs/udendørs tilslutning til klemrække (S1, S2, S3)
- H: Servicepanel
- I: Klamme
- J: Jordforbindelsesklemme
- * Fastgør kablerne, så de ikke kan berøre midten af servicepanelet eller gasventilen.

Bemærkning: Kun for luft til vand-varmepumpe

Når flere indendørs enheder (hydrobokse) er sluttet til udendørs enheden, tilsluttes PCB'en én af indendørs enhederne og udendørs enheden (S1, S2, S3).

Det er ikke muligt at tilslutte PCB'er for flere indendørs enheder til udendørs enheden.

Bemærkning:

Hvis den beskyttende plade til den elektriske boks fjernes under udførelse af eftersyn, skal du sørge for at sætte den på igen.

⚠ Forsigtig:

Sørg for at installere N-ledningen. Uden N-ledningen kan enheden blive beskadiget.

7. Elektrisk arbejde

7.2. Elektrisk ledningsføring i marken

Model, udendørs enhed	SHW80V	SHW112V	SHW112, 140Y	SHW230Y
Udendørs enhed strømforsyning	~/N (Enkelt), 50 Hz, 230 V	~/N (Enkelt), 50 Hz, 230 V	3N~ (3-faset, 4-ledninger), 50 Hz, 400 V	3N~ (3-faset, 4-ledninger), 50 Hz, 400 V
Udendørsenheds indgangsstrømkapacitet Hovedkontakt (Afbryder)	*1 32 A	40 A	16 A	25 A
Ledningsføring Ledning nr. x størrelse (mm ²)	Udendørs enhed strømforsyning	3 x Min. 4	3 x Min. 6	5 x Min. 1,5
	Indendørs enhed-Udendørs enhed	*2 3 x 1,5 (Polær)	3 x 1,5 (Polær)	3 x 1,5 (Polær)
	Indendørs/udendørs enhed, jordforbindelse	*2 1 x Min. 1,5	1 x Min. 1,5	1 x Min. 1,5
	Fjernbetjening-indendørs enhed	*3 2 x 0,3 (Ikke-polær)	2 x 0,3 (Ikke-polær)	2 x 0,3 (Ikke-polær)
Kredsløbskapacitet	Udendørs enhed L-N (Enkelt)	*4 230 VAC	230 VAC	230 VAC
	Udendørs enhed L1-N, L2-N, L3-N (3-faset)	*4 230 VAC	230 VAC	230 VAC
	Indendørs enhed-Udendørs enhed S1-S2	*4 230 VAC	230 VAC	230 VAC
	Indendørs enhed-Udendørs enhed S2-S3	*4 24 VDC	24 VDC	24 VDC
	Fjernbetjening-indendørs enhed	*4 12 VDC	12 VDC	12 VDC

*1. Brug en jordafledningsafbryder (NV) med en kontaktadskillelse på mindst 3,0 mm på hver pol.

Sørg for, at strømlækageafbryderen er kompatibel med højere harmoni.

Brug altid en strømlækageafbryder, der er kompatibel med højere harmoni, da denne enhed er udstyret med en omformer.

Anvendelse af en utilstrækkelig afbryder kan forårsage ukorrekt funktion af veksleretrenen.

*2. (SHW80 - 140)

Maks. 45 m

Hvis der bruges 2,5 mm², maks. 50 m

Hvis der bruges 2,5 mm² og S3 separeret, maks. 80 m

(SHW230)

Maks. 80 m Samlet maks. inklusive al indendørs-/indendørsforbindelse er 80 m.

* Brug et kabel til S1 og S2 og et andet til S3 som vist på billedet.

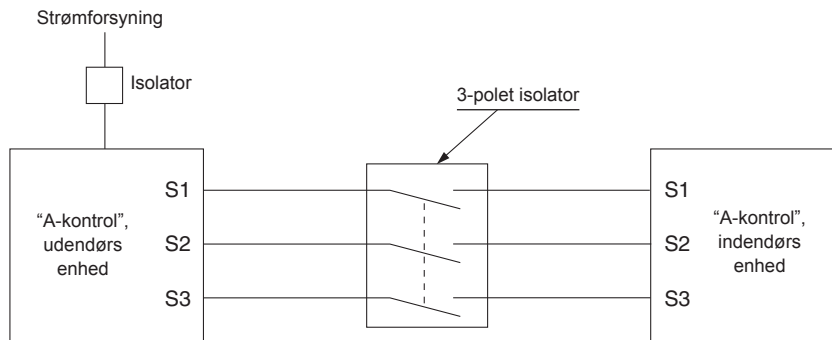
*3. Der er monteret en 10 m ledning til fjernbetjeningen.

*4. Tallene er IKKE altid i forhold til jorden.

S3-klemmen har 24 VDC i forhold til S2-klemmen. Mellem S3 og S1 er disse klemmer IKKE elektrisk isolerede af transformeren eller andre enheder.



- Bemærkninger:**
1. Ledningsdimensioner skal være i overensstemmelse med gældende lokale og nationale normer.
 2. Ledningerne mellem strømforsyningen og indendørs-/udendørsenheden må ikke være lettere end kappebeklædte, bøjelige polychlopropen-ledninger (60245 IEC 57).
 3. Brug en jordet ledning, som er længere end de andre, således at den ikke afbrydes, når der tilsluttes spænding.



⚠ Advarsel:

- I tilfælde af A-styringsledningsføring er der et højspændingspotential på S3-terminalen forårsaget af det elektriske kredsløbs design, der ikke har elektrisk isolering mellem højspændingsledningen og kommunikationssignalledningen. Sluk derfor for hovedstrømforsyningen under servicearbejde, og rør ikke ved terminal S1, S2 og S3, når strømforsyningen er aktiveret. Hvis der skal anvendes en ledningsadskiller mellem indendørsenhed og udendørsenhed, skal det være en 3-polet ledningsadskiller.
- Ved under -20°C skal den stå i standby i minimum 12 timer for at opvarme de elektriske dele.

Sammensplejs aldrig netkablet eller kablet til indendørs-udendørs-forbindelsen, da dette kan medføre røgudvikling, brand eller kommunikationsfejl.

INDENDØRS-UDENDØRS TILSLUTNINGSKABEL (SHW230)

Tværsnit af kabel	Lederstørrelse (mm ²)	Antal ledere	Polaritet	L (m)*6
Rund	2,5	3	Med uret : S1-S2-S3 * Vær opmærksom på gul og grøn stribe	(30) *2
Flad	2,5	3	Ikke anvendelig (Fordi midterlederen ikke har overfladefinish)	Ikke anvendelig *5
Flad	1,5	4	Fra venstre mod højre : S1-Åben-S2-S3	(18) *3
Rund	2,5	4	Med uret : S1-S2-S3-Åben * Forbind S1 og S3 til den modsatte vinkel	(30) *4

*1 : Strømforsyningsledninger til apparater må ikke være mindre end konstruktion 60245 IEC eller 227 IEC.

*2 : I tilfælde af, at kabel med gul og grøn stribe er tilgængeligt.

*3 : I tilfælde af normal polaritetstilslutning (S1-S2-S3), lederstørrelse er 1,5 mm².

*4 : I tilfælde af normal polaritetstilslutning (S1-S2-S3).

*5 : Hvis de flade kabler tilsluttes som angivet i dette billede, kan de anvendes op til 30 m.

*6 : Den angivne kabellængde er kun en referenceværdi.

Den kan være forskellig afhængig af installationen, fugtighed eller materialer m.m.



Sørg for at forbinde indendørs-udendørs forbindelseskablerne direkte til enhederne (ingen mellemliggende forbindelser).

Mellemliggende forbindelser kan medføre kommunikationsfejl, hvis der kommer vand ind i kablerne og forårsager utilstrækkelig isolering imod jord eller ringe elektrisk kontakt ved det mellemliggende forbindelsespunkt.

8. Afprøvning (kun for klimaanlæg)

8.1. Før afprøvning

- ▶ Efter installation, ledningsføring og rørføring af indendørs og udendørs enheder er afsluttet, kontroller da for udsivning af kølemiddel, om ledningsføring til strømforsyning eller styring er løs og for fejlagtig polaritet, samt at der ikke er afbrydelse af én fase i strømforsyningen.
- ▶ Brug et 500-Volts megaohmmeter for at kontrollere at modstanden mellem strømforsyningsklemmerne og jordforbindelsen er mindst 1 MΩ.
- ▶ Udfør ikke denne test på styreledningsføringen (lavspændingskredsløb) klemmer.

⚠ Advarsel:

Brug ikke udendørsenheden, hvis isoleringsmaterialets modstand er mindre end 1 MΩ.

Isoleringsmodstand

Efter installationen eller efter at strømforsyningen har være afbrudt i længere tid, vil isoleringsmodstanden falde til under 1 MΩ på grund af akkumulering af kølemiddel i kompressoren. Dette er ikke en fejlfunktion. Udfør følgende procedurer.

1. Afmonter ledningerne fra kompressoren og mål kompressorens isoleringsmodstand.
2. Hvis isoleringsmodstanden er under 1 MΩ, er der fejl ved kompressoren eller modstanden er faldet på grund af akkumuleringen af kølemiddel i kompressoren.
3. Når ledningerne er tilsluttet til kompressoren igen, vil kompressoren begynde at varme op, efter at strømmen er tilsluttet. Efter at have tilført strøm i de tider, der angivet nedenfor, måles isoleringsmodstanden igen.

- Isoleringsmodstanden falder på grund af akkumuleringen af kølemiddel i kompressoren. Modstanden vil stige til over 1 MΩ efter at kompressoren har varmet op i 4 timer.
(Den nødvendige tid til opvarmning af kompressoren varierer afhængig af de atmosfæriske betingelser og akkumuleringen af kølemiddel).
 - For at drive kompressoren med akkumuleret kølemiddel i kompressoren, skal den varmes op i mindst 12 timer for at forhindre nedbrud.
4. Hvis isoleringsmodstanden stiger over 1 MΩ, er der ingen fejl ved kompressoren.

⚠ Forsigtig:

- Kompressoren kører kun, hvis strømforsyningens faseforbindelse er korrekt.

▶ Tænd for anlægget mindst 12 timer før testkørslen.

- Start af driften lige efter, at der er tændt for anlægget, kan resultere i alvorlig skade på de interne dele. Strømkontakten skal stå på ON i hele driftsperioden.

▶ Følgende punkter skal desuden kontrolleres.

- Der er ingen fejl ved udendørs enheden. LED1 og LED2 på kontrolpanelet på udendørs enheden blinker, når der er fejl ved udendørs enheden.
- Både gas- og væskestopventilen er helt åben.
- Et beskyttelsesdæksel dækker overfladen af vippekontakt-panelet på kontrolpanelet på udendørs enheden. Fjern beskyttelsesdækslet for nemt at betjene vippekontakterne.

8.2. Afprøvning

8.2.1. Brug af SW4 på udendørs enhed

SW4-1	ON	Kølefunktion
SW4-2	OFF	
SW4-1	ON	Opvarmingsfunktion
SW4-2	ON	

- * Efter at have udført prøvekørslen, indstilles SW4-1 til OFF.
- Efter tilslutning af strøm kan der evt. høres en svag klikkelyd fra det indvendige af udendørs enheden. Den elektroniske ekspansionsventil åbner og lukker. Der er ingen fejl ved enheden.
- Nogle få sekunder efter at kompressoren er startet, kan der evt. høres en klirrende lyd fra det indvendige af udendørs enheden. Lyden kommer fra kontrolventilen på grund af en lille trykforskel i rørene. Der er ingen fejl ved enheden.

Testkørsels-modusen kan ikke ændres med vippekontakt SW4-2 under testkørslen. (For at ændre testkørsels-modusen under testkørslen, stoppes testkørslen ved hjælp af vippekontakt SW4-1. Efter ændring af testkørsels-modusen genoptages testkørslen med kontakt SW4-1.)

8.2.2. Brug af fjernstyringen

Referer til indendørs enhedens installationsmanual.

Bemærk:

Af og til kan den damp, der opstår ved afrimningen, få det til at se ud som om, at kommer røg fra den udendørs enhed.

9. Specielle funktioner

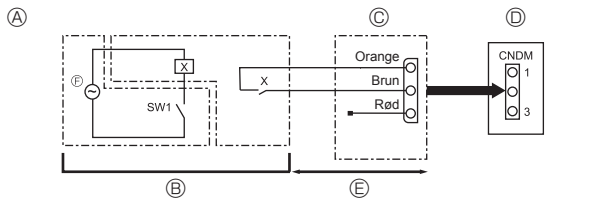


Fig. 9-1

- A Kredsdiagram eksempel ("Low noise" modus)
 B På-stedet arrangement
 C Ekstern inputadapter (PAC-SC36NA-E)
 X: Relæ
 D Udendørs enheds kontrolpanel
 E Maks. 10 m
 F Strømforsyning til relæ

9.1. Low noise modus (ændring på stedet) (Fig. 9-1)

Ved at udføre følgende ændring kan driftsstøjen fra udendørs enheden reduceres med ca. 3-4 dB.

"Low noise" modusen vil blive aktiveret, når en kommercielt tilgængelig timer eller kontaktinputtet fra en ON/OFF kontakt tilføjes til CNDM-stikket (sælges separat) på kontrolpanelet på udendørs enheden.

- Reduktionsevnen varierer med udendørstemperaturen, vejrtilstandene osv.

- ① Afslut kredsløbet som vist ved anvendelse af den eksterne inputadapter (PAC-SC36NA-E). (Sælges separat)
- ② SW1 ON: "Low noise" modus
SW1 OFF: Normal drift

Bemærk:

Når vippekontakt SW-7 og SW9-1 på kontrolpanelet på udendørsenheden er ON, indstilles vippekontakt SW7-1 og SW9-1 til OFF. (Denne modus kan ikke bruges sammen med behovsfunktionen).

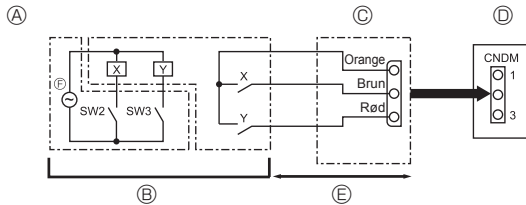


Fig. 9-2

- A Kredsdiagram eksempel (Behovsfunktion)
 B På-stedet arrangement
 C Ekstern inputadapter (PAC-SC36NA-E)
 X,Y: Relæ
 D Udendørs enheds kontrolpanel
 E Maks. 10 m
 F Strømforsyning til relæ

9.2. Behovsfunktion (modifikation på stedet) (Fig. 9-2) (kun for klimaanlæg)

Når følgende modifikation udføres, kan energiforbruget reduceres til 0-100% af det normale forbrug.

Behovsfunktionen aktiveres, når en almindelig timer eller kontaktindgangen fra en ON/OFF-kontakt tilføjes CNDM-stikket (sælges separat) på udendørsenhedens styrekort.

- ① Afslut kredsløbet som vist ved anvendelse af den eksterne inputadapter (PAC-SC36NA-E). (Sælges separat)
- ② Ved at indstille SW7-1 på udendørsenhedens styrekort kan energiforbruget begrænses (i forhold til det normale forbrug) som vist herunder.

	SW7-1	SW2	SW3	Energiforbrug
Behovsfunktion	ON	OFF	OFF	100%
		ON	OFF	75%
		ON	ON	50%
		OFF	ON	0% (Stop)

9.3. Opsamling af kølemiddel (nedpumpning)

Ved flytning eller bortskaffelse af indendørs-/udendørsenheden skal systemet tømmes ved hjælp af den følgende procedure, så der ikke udledes kølemiddel til atmosfæren.

- ① Sluk for strømforsyningen (afbryder).
- ② Slut lavtryksventilen på målermanifolden til påfyldningsproppen (lavtryksside) på udendørsenheden.
- ③ Luk væskestopventilen helt.
- ④ Tilslut strøm (hovedafbryder).
 - * Når strømmen er tilsluttet, skal det kontrolleres at "CENTRALLY CONTROL-LED" ikke vises på fjernbetjeningen. Hvis "CENTRALLY CONTROLLED" vises, kan opsamlingen af kølemiddel (nedsugning) ikke udføres normalt.
 - * Opstart af indendørs-udendørs-kommunikation tager ca. 3 minutter, efter at der er tændt for strømmen (hovedafbryder). Start nedpumpningsfunktionen 3 til 4 minutter efter, at der er tændt for strømmen (hovedafbryder).
- ⑤ Udfør opsamling af kølemidlet (testkørsel af køling).
 - * Tryk på nedpumpnings-SWP-kontakten (tryknøgle) på udendørsenhedens kontrolpanel. Kompressoren og ventilatorerne (indendørs- og udendørsenhed) idriftsættes (opsamling af kølemiddel starter). (LED1 og LED2 på udendørsenhedens kontrolpanel lyser.)
 - * Tryk kun på nedpumpnings-SWP-kontakten, hvis enheden er stoppet. Dog kan opsamling af kølemiddel ikke udføres, selvom enheden er stoppet, og der er trykket på nedpumpnings-SWP-kontakten mindre end 3 minutter efter, at kompressoren er stoppet. Vent, til kompressoren har været stoppet i 3 minutter, og tryk derefter på nedpumpnings-SWP-kontakten igen.
- ⑥ Luk kugleventilen på gasrørsiden af udendørsenheden, når trykmåleren på målermanifolden viser 0,05 til 0 MPa [Måler] (ca. 0,5 til 0 kgf/cm²), og stop hurtigt udendørsenheden.

- * Hvis der trykkes på nedpumpnings-SWP-kontakten igen, stopper enheden.
- * Luk hurtigt gaskugleventilen, da enheden automatisk stopper ca. 3 minutter efter, at kølemiddeloopsamlingen er gennemført (LED1 slukket, LED2 lyser). Hvis LED1 lyser, og LED2 er sluttet, og enheden er stoppet, skal væskestopventilen dog åbnes helt og ventilen lukkes helt efter 3 minutter eller mere, hvorefter trin ⑤ gentages. (Åbn gaskugleventilen helt).
- * Hvis opsamlingen af kølemiddel er gennemført normalt (LED1 slukket, LED2 lyser), forbliver enheden stoppet, til der slukkes for strømforsyningen.
- * Bemærk, at en nedpumpning muligvis ikke kan udføres, hvis forlængerrøret er meget langt og indeholder en stor mængde kølemiddel. I så fald skal du bruge opsamlingsudstyr til at opsamle alt kølemidlet i systemet.
- ⑦ Sluk for strømforsyningen (hovedafbryder), fjern målermanifolden, og frakobl kølemiddelrørene.

⚠ Advarsel:

Ved nedpumpning af kølemiddel skal kompressoren stoppes, før kølerørene afmonteres.

- Hvis kølerørene afmonteres, mens kompressoren er i drift, og stopventilen (kugleventil) er åben, kan trykket i afkølingscyklussen blive ekstremt højt, hvis der trækkes luft ind, hvilket kan medføre sprængte rør, personskader osv.

9.4 Indstilling af temperaturen for ZUBADAN flash injection-funktionen

Med ZUBADAN flash injection-funktionen kan der opnås høj opvarmningsdydeevne ved lave udendørs temperaturer.

- Med SW9-3 og SW9-4 på udendørsenhedens styrekort kan den tilgængelige temperatur for the ZUBADAN flash injection-funktionen indstilles som vist i skemaet nedenfor.

SW9-3	SW9-4	Udendørstemperatur
OFF	OFF	3°C eller mindre (Standardindstillinger)
OFF	ON	0°C eller mindre
ON	OFF	-3°C eller mindre
ON	ON	-6°C eller mindre

10. Systemkontrol

10.1. Klima anlæg

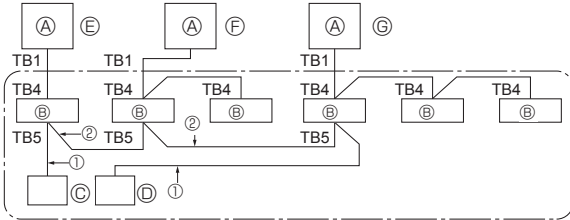
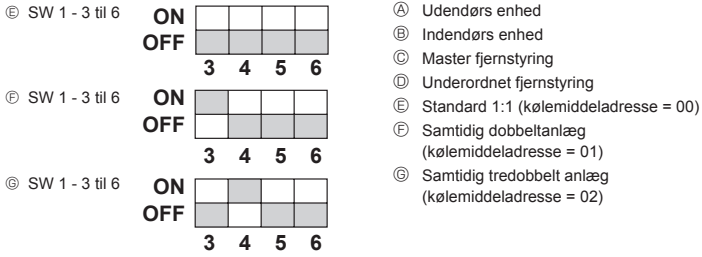


Fig. 10-1

* Indstil kølemiddeladressen ved hjælp af Dip-switchen på den udendørs enhed.

① Ledningsføring fra fjernstyringen

Denne ledning er tilsluttet TB5 (klemmerække til fjernstyring) på den indendørs enhed (ikke-polær).

② Når der anvendes en anden gruppering for kølemiddelsystemet.

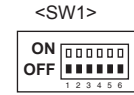
Indtil 16 kølemiddelsystemer kan styres som én gruppe ved hjælp af den smalle MA fjernstyring.

Bemærk:

I et enkelt kølemiddelsystem (to/tredobbelt) er ledningsføring ikke nødvendig ②.

SW1

Funktionsskema



	Funktion	Drift afhængig af kontaktindstilling	
		ON	OFF
SW1-funktion-sindstillinger	1 Obligatorisk afrimning	Start	Normal
	2 Sletning af fejloversigt	Slet	Normal
	3 Indstilling af adresse for kølemiddelsystem	Indstillinger af adresser 0 til 15 for udendørsenhed	
	4		
	5		
	6		

10.2. Luft til vand-varmepumpe

Angiv kølemiddeladressen ved at bruge kontakten på udendørsenheden.

SW1 Funktionsindstilling

SW1 Indstilling	Kølemiddel-adresse	SW1 Indstilling	Kølemiddel-adresse
ON <input type="checkbox"/> OFF <input type="checkbox"/>	00	ON <input type="checkbox"/> OFF <input type="checkbox"/>	03
ON <input type="checkbox"/> OFF <input type="checkbox"/>	01	ON <input type="checkbox"/> OFF <input type="checkbox"/>	04
ON <input type="checkbox"/> OFF <input type="checkbox"/>	02	ON <input type="checkbox"/> OFF <input type="checkbox"/>	05

Bemærk:

a) Der kan tilkobles op til 6 enheder.

b) Vælg én enkelt model til alle enheder.

c) Når det gælder indstillingen for kontakten til indendørsenheden, skal du se i instruktionsmanualen til indendørsenheden.

11. Specifikationer

Lydtryk (målt ved normeret driftsfrekvens.)

			SHW80VHA	SHW112Y/VHA	SHW140YHA	SHW230YKA2
SPL	Opvarmning	dB(A)	51	52	52	59
	Afkøling	dB(A)	50	51	51	58
PWL	Opvarmning	dB(A)	69	70	70	75

Innehåll

1. Säkerhetsåtgärder.....	101	7. Elektriska arbeten.....	107
2. Placering.....	102	8. Provkörning (endast för luftkonditioneringar).....	109
3. Installation av utomhusenhet.....	104	9. Specialfunktioner.....	110
4. Installera kylmedelsrör.....	104	10. Systemkontroll.....	111
5. Dräneringsrör.....	107	11. Specifikationer.....	111
6. Rörledningsarbeten för vatten (endast för luft/vatten-värmepump).....	107		

Obs: Den här symbolen gäller enbart EU-länder.

Symbolen är i enlighet med direktiv 2012/19/EU, artikel 14, Information för användare och bilaga IX.



Denna produkt från MITSUBISHI ELECTRIC är designad och tillverkad av material och komponenter med hög kvalitet som kan återvinnas och återanvändas.

Denna symbol betyder att elektriska och elektroniska produkter, efter slutanvändande, skall sorteras och hanteras separat från Ditt hushållsavfall. Var snäll och lämna denna produkt hos Din lokala mottagningsstation för avfall och återvinning.

Inom den Europeiska Unionen finns det separata insamlingssystem för begagnade elektriska och elektroniska produkter.

Var snäll och hjälp oss att bevara miljön vi lever i!

⚠ Försiktighet:

- Släpp inte ut R410A i atmosfären:

1. Säkerhetsåtgärder

- ▶ Innan du installerar enheten bör du läsa igenom samtliga "Säkerhetsåtgärder".
- ▶ Se till att elsystemets ansvarige underrättas och ger sitt godkännande innan systemet kopplas in.
- ▶ PUAH-SHW230YKA2

"Utrustningen uppfyller IEC 61000-3-12 förutsatt att kortslutningsströmmen S_{sc} är högre eller lika med $S_{sc} (*1)$ vid gränssnittspunkten mellan användarens strömförsörjning och det allmänna elnätet. Installatören eller användaren ansvarar för att se till att utrustningen är säker, kontakta eldistributören om det behövs, och att utrustningen endast ansluts till en strömförsörjning med en kortslutningsström S_{sc} som är högre eller lika med $S_{sc} (*1)$ "

$S_{sc} (*1)$

Modell	S_{sc} (MVA)
PUAH-SHW230YKA2	1,35

⚠ Varning:

Anger försiktighetsmått som bör vidtas för att förhindra att användaren utsätts för fara eller risk.

⚠ Försiktighet:

Beskriver säkerhetsåtgärder som bör följas för att undvika att enheten skadas.

När installationen är klar, förklara "Säkerhetsåtgärder" för enheten, hur den används och underhålls för kunden enligt informationen i bruksanvisningen och utför provkörningen för att kontrollera att den fungerar som den ska. Användaren ska behålla både installationsanvisningen och bruksanvisningen. Dessa manualer ska lämnas över till kommande användare.

⚡ : Indikerar en del som måste jordas.

⚠ Varning:

Läs noga texten på alla dekalerna på huvudenheten.

⚠ Varning:

- Enheten får inte installeras av användaren. Be en återförsäljare eller behörig tekniker installera enheten. Felaktig installation av enheten kan orsaka vattenläckage, elektriska stötar eller brand.
- Vid installationen, följ anvisningarna i installationsanvisningen och använd verktyg och rörkomponenter som är gjorda för att användas med köldmedlet R410A. Köldmedlet R410A i HFC-systemet är trycksatt till 1,6 gånger trycket hos vanliga köldmedel. Om man använder rörkomponenter som inte är konstruerade för köldmedlet R410A och enheterna inte installerats på rätt sätt, kan rören spricka och orsaka person- och maskinskador. Dessutom kan detta orsaka vattenläckage, elektriska stötar eller brand.
- Enheten ska installeras enligt anvisningarna för att risken för skador från jordbävningar, tyfoner och kraftig vind ska minimeras. En felaktigt installerad enhet kan falla ned och orsaka person- och maskinskador.
- Enheten måste fästas säkert på en konstruktion som kan bära dess vikt. Om enheten monteras på en instabil konstruktion, kan den falla ned och orsaka person- och maskinskador.
- Om utomhusenheten installeras i ett litet rum, måste man vidta åtgärder för att förhindra att köldmedelskoncentrationen i rummet överskrider säkerhetsgränsen i händelse av köldmedelsläckage. Rådfråga en återförsäljare om vilka åtgärder som måste vidtas för att förhindra att den tillåtna koncentrationen överskrider. Om köldmedlet läcker ut och gör att koncentrationen överskrider gränsen, kan risker uppstå på grund av syrebriest i rummet.
- Vädra rummet om köldmedel läcker ut vid drift. Om köldmedel kommer i kontakt med öppen låga kan giftiga gaser utvecklas.
- Alla elarbeten måste utföras av behörig tekniker enligt lokala föreskrifter och anvisningarna i denna manual. Enheterna måste matas via därför avsedda elledningar. Rätt spänning och överspanningsskydd måste användas. För klenta elledningar eller felaktiga elinstallationer kan orsaka elektriska stötar eller brand.
- Använd C1220 koppar/fosfor till skarvfria rör av koppar eller kopparlegering för anslutning av kylmedelsrören. Om rören inte ansluts på rätt sätt, blir enheten

inte ordentligt jordad och detta kan orsaka elektriska stötar.

- Använd endast angivna kablar för anslutningar. Anslutningarna måste göras på ett säkert sätt utan spänningar i terminalanslutningarna. Kablarna får aldrig skarvas (om inget annat anges i detta dokument). Om instruktionerna inte följs kan det leda till överhettning eller brand.
- Skyddet för kopplingsplinten på utomhusenheten måste fästas ordentligt. Om skyddet monteras på fel sätt och om damm och fukt tränger in i enheten, kan detta orsaka elektriska stötar eller brand.
- Vid installation, flytt eller service av utomhusenheten, använd endast angivet köldmedel (R410A) för att fylla på köldmedelsrören. Blanda inte med andra kylmedel och låt inte luft vara kvar i rören. Om luft blandas med kylmedel kan det orsaka onormalt högt tryck i kylmedelsrören, vilket kan leda till explosion och andra faror. Användning av annat kylmedel än det som specificeras för systemet orsakar mekaniska fel, systemfel eller haveri. I värsta fall kan det leda till en allvarlig brist som hotar produktens säkerhet.
- Använd endast tillbehör som är godkända av Mitsubishi Electric och be en återförsäljare eller behörig tekniker installera dem. Felaktig installation av tillbehör kan orsaka vattenläckage, elektriska stötar eller brand.
- Förändra inte enheten. Kontakta en återförsäljare för reparationer. Felaktiga ändringar och reparationer av enheten kan orsaka vattenläckage, elektriska stötar eller brand.
- Användaren ska aldrig försöka reparera eller flytta enheten själv. Felaktig installation av enheten kan orsaka vattenläckage, elektriska stötar eller brand. Om utomhusenheten måste repareras eller flyttas, be en återförsäljare eller behörig tekniker.
- När installationen är klar, kontrollera att det inte läcker ut köldmedel. Om det läcker ut köldmedel i rummet och det kommer i kontakt med lågan i en värmare eller campingkök, utvecklas giftiga gaser.

1.1. Före installationen

⚠ Försiktighet:

- Använd inte enheten på ovanliga ställen. Om utomhusenheten installeras på en plats som utsätts för ånga, flyktiga oljor (inklusive maskinolja) eller svavelhaltiga gaser, där saltkoncentrationen är hög som i kustområden, eller områden där enheten kommer att täckas av snö, kan dess prestanda försämrats avsevärt och dess inre delar kan skadas.
- Installera inte enheten där brännbara gaser kan läcka ut, skapas, strömma ut eller ansamlas. Om brännbara gaser ansamlas runt enheten kan det orsaka brand eller explosion.

- Utomhusenheten skapar kondens vid värmning. Se till att det finns dränering runt utomhusenheten om det finns risk för att sådan kondens orsakar skador.
- Vid installation av enheten i ett sjukhus eller där det finns datakommunikation, var beredd på störande ljud och elektriska störningar. Växelriktare, hushållsaparater, medicinsk högfrekvensutrustning och radiokommunikationsutrustning kan göra att utomhusenheten fungerar felaktigt eller havererar. Utomhusenheten kan också påverka medicinsk utrustning så att värden avbryts, och kommunikationsutrustning så att kvaliteten på skärmbilder försämrats.

1. Säkerhetsåtgärder

1.2. Före installationen (flyttning)

⚠ Försiktighet:

- Var mycket försiktig när du transporterar eller installerar enheter. Det krävs två eller flera personer för att hantera enheten, eftersom den väger 20 kg eller mer. Lyft inte i packbanden. Använd skyddshandskar för att ta ut enheten från emballaget och flytta den, då du kan skada dina händer på fenor eller kanterna på andra delar.
- Gör dig av med förpackningsmaterialet på ett säkert sätt. Förpackningsmaterial, som spikar och andra delar av metall eller trä, kan orsaka sticksår och andra skador.

- Utomhusenhetens fundament och fästen ska kontrolleras regelbundet så att de inte är lösa, har sprickor eller andra skador. Om sådana felaktigheter inte korrigeras, kan enheten falla ned och orsaka person- eller maskinskador.
- Rengör inte utomhusenheten med vatten. Det kan orsaka elektriska stötar.
- Dra åt alla flänsmuttrar med en momentnyckel enligt specifikationen. Om de dras åt för hårt, kan flänsmuttrarna gå sönder efter en tid och köldmedel kan läcka ut.

1.3. Före elarbeten

⚠ Försiktighet:

- Montera överspänningsskydd. Om sådana inte monteras, kan det orsaka elektriska stötar.
- Använd tillräckligt grova standardkablar för elledningarna. Annars kan det orsaka kortslutning, överhettning eller brand.
- Vid installation av elledningarna, belasta inte kablarna. Om anslutningarna lossas kan kablarna gå av och det kan orsaka överhettning eller brand.

- Jorda enheten. Anslut inte jordledningen till gas- eller vattenledningar, åskledare eller telefonens jordledning. Felaktig jordning av enheten kan orsaka elektriska stötar.
- Använd överspänningsskydd (jordfelsbrytare, fränkskiljare (+B-säkring) och helgjutna överspänningsskydd) med angiven kapacitet. Om kapaciteten för överspänningsskyddet är större än angiven kapacitet, kan detta orsaka haveri eller brand.

1.4. Innan du startar provkörningen (endast för luftkonditionering)

⚠ Försiktighet:

- Slå på strömmen minst 12 timmar innan provkörningen startas. Om provkörningen startas omedelbart efter det att strömmen slagits på, kan interna delar skadas allvarligt. Låt strömbrytaren vara inkopplad under driftssäsongen.
- Innan du startar provkörningen, kontrollera att alla paneler, skydd och annan skyddsutrustning är korrekt monterad. Roterande eller heta delar eller högspänningsdelar kan orsaka personskadorna.

- Rör inte vid några omkopplare med svettiga händer. Det kan orsaka elektriska stötar.
- Rör inte vid köldmedelsrören med bara händer när enheten är igång. Köldmedelsrören är varma eller kalla beroende på det köldmedel som strömmar genom dem. Om du rör vid rören kan du få frost- eller brännskador.
- Efter körningen, vänta minst fem minuter innan du slår från strömbrytaren. Annars kan det uppstå vattenläckage eller haveri.

1.5. Använda köldmedel R410A i utomhusenheten

⚠ Försiktighet:

- Använd C1220 koppar/fosfor till skarvfria rör av koppar eller kopparlegering för anslutning av kylmedelsrören. Kontrollera att rörens insidor är rena och inte innehåller skadliga föroreningar som svavelhaltiga föreningar, oxider, skräp eller damm. Använd rör med angiven tjocklek. (se 4.1.) Observera följande om du återanvänder befintliga rör som innehållit köldmedlet R22.
- Byt befintliga flänsmuttrar och flänsa ut flänsarna igen.
- Använd inte tunna rör. (Se 4.1.)
- Lagra de rör som ska användas vid installationen inomhus och håll båda ändarna av rören förseglade tills strax innan du ska löda dem. (Låt knärör osv ligga kvar i förpackningen.) Om damm, skräp eller fukt kommer in i köldmedelsrören, kan detta orsaka försämring av oljan eller kompressorhaveri.
- Använd olja med ester, eter, alkylbensen (liten mängd) som den köldmedelsolja som används på flänsarna. Om mineralolja blandas med köldmedelsoljan kan detta orsaka försämring av oljan.
- Använd inget annat köldmedel än R410A. Om något annat köldmedel används, gör kloreit att oljan försämras.

- Använd följande verktyg, som är specialkonstruerade för att användas med köldmedlet R410A. Det är nödvändigt att använda följande verktyg med köldmedlet R410A. Kontakta närmaste återförsäljare om du har några frågor.

Verktyg (till R410A)	
Mätklocka	Flänsverktyg
Påfyllningsslang	Instrument för storleksinställning
Gasläckagedetektor	Vakuumpumpadapter
Momentnyckel	Elektronisk väg för köldmedelspåfyllning

- Använd rätt verktyg. Om damm, skräp eller fukt kommer in i köldmedelsrören, kan detta orsaka försämring av köldmedelsoljan.
- Använd inte en påfyllningscylinder. Om en påfyllningscylinder används, ändras köldmedlets sammansättning och dess effektivitet minskar.

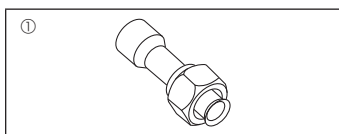


Fig. 1-1

1.6. Tillbehör till utomhusenheten (Fig. 1-1) (SHW230)

De delar som visas till vänster är tillbehör för denna enhet, och fästs på insidan av servicepanelen.

- ① Kopplingsrör.....x1

2. Placering

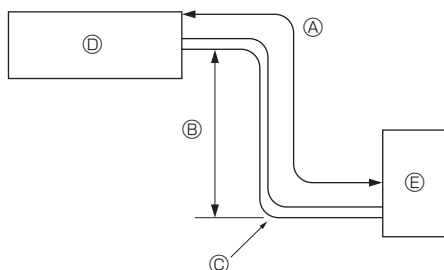


Fig. 2-1

2.1. Kylmedelsrör (Fig. 2-1)

- ▶ Kontrollera att höjdskillnaden mellan inomhus- och utomhusenheterna, längden på kylmedelsrören och antalet krökar på rören är inom de gränser som visas nedan.

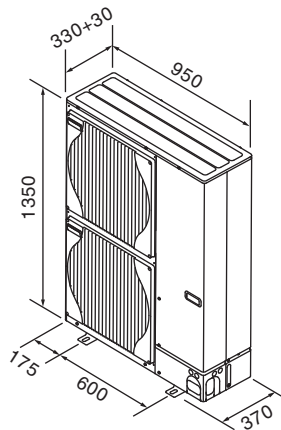
Modeller	Ⓐ Rörlängd (en riktning)	Ⓑ Höjdskillnad	Ⓒ Antal krökar (en riktning)
SHW80, 112, 140	2 m - 75 m	Max. 30 m	Max. 15
SHW230	2 m - 80 m	Max. 30 m	Max. 15

- Gränserna för höjdskillnaderna är definierade oavsett vilken enhet, inomhus- eller utomhusenheten, som är positionerad högst.

- Ⓓ Inomhusenhet
- Ⓔ Utomhusenhet

2. Placering

■ SHW80, 112, 140



■ SHW230

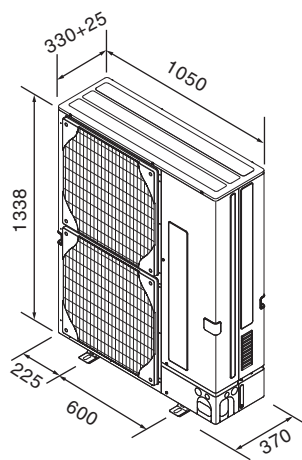


Fig. 2-2

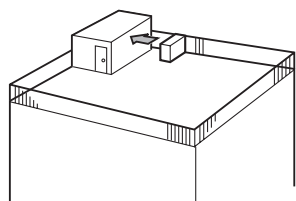


Fig. 2-3

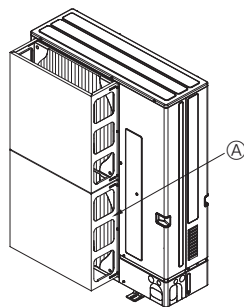


Fig. 2-4

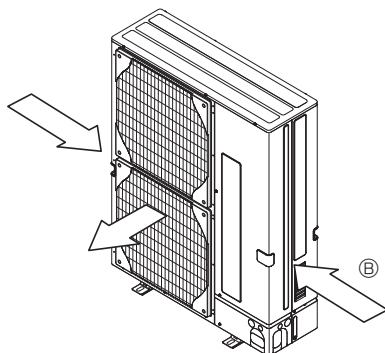


Fig. 2-5

2.2. Välja plats för utomhusenheten

- Undvik platser som utsätts för direkt solljus eller andra värmekällor.
- Välj en plats där det ljud som enheten avger inte stör grannarna.
- Välj en plats där det är enkelt att koppla in elledningar och att komma åt rören, spänningskällan och inomhusenheten.
- Undvik platser där brännbara gaser kan läcka ut, skapas, strömma ut eller ansamlas.
- Observera att vatten kan droppa från enheten under drift.
- Välj en vågrät plats som kan bära upp enhetens vikt och klara dess vibrationer.
- Undvik platser där enheten kan täckas av snö. I områden där man kan förvänta sig kraftiga snöfall, måste speciella åtgärder som att höja upp installationen eller installera en huv på luftintaget vidtas, för att förhindra att snön blockerar luftintaget eller blåser in direkt i det. Det kan minska luftflödet, vilket kan orsaka fel.
- Undvik platser som utsätts för olja, ånga eller svavelhaltiga gaser.
- Använd transporthandtagen på utomhusenheten för att transportera enheten. Om man bär enheten undertill, kan händer och fingrar klämmas.

2.3. Yttre dimensioner (Utomhusenhet) (Fig. 2-2)

2.4. Ventilation och utrymme för underhåll

2.4.1. Installation på blåsiga platser

Vid installation av utomhusenheten på tak eller andra platser som är utsatta för vinden, placera enhetens utblås så att det inte utsätts direkt för kraftig vind. Kraftig vind som kommer in i luftutblåset kan försämma det normala luftflödet, vilket kan orsaka fel.

Nedan följer tre exempel på åtgärder mot kraftig vind.

- ① Rikta luftutblåset mot närmaste vägg, cirka 50 cm från väggen. (Fig. 2-3)
- ② Montera en extra luftledare om enheten installeras på en plats där kraftig vind från tyfoner osv kan komma direkt in i luftutblåset. (Fig. 2-4)
 - Ⓐ Luftskyddsguide
- ③ Placera om det går enheten så att luftutblåset blåser vinkelrätt mot den säsongsbetingade vindriktningen. (Fig. 2-5)
 - Ⓑ Vindriktning

2.4.2. Vid installation av en enstaka utomhusenhet (Se sista sidan)

De minsta måtten är följande, utom där max. anges vilket står för maximala mått. Hänvisa till siffrorna i enskilda fall.

- ① Enbart hinder på baksidan (Fig. 2-6)
- ② Enbart hinder på baksidan och ovsidan (Fig. 2-7)
- ③ Enbart hinder på baksidan och sidorna (Fig. 2-8)
- ④ Enbart hinder på framsidan (Fig. 2-9)
 - * Vid användande av de extra styrningarna för luftutblåset, är avståndet 500 mm eller mer.
- ⑤ Enbart hinder på framsidan och baksidan (Fig. 2-10)
 - * Vid användande av de extra styrningarna för luftutblåset, är avståndet 500 mm eller mer.
- ⑥ Enbart hinder på baksidan, sidorna och ovsidan (Fig. 2-11)
 - * Använd inte de extra styrningarna för luftutblåset för luftflöden uppåt.

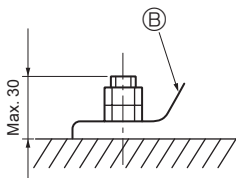
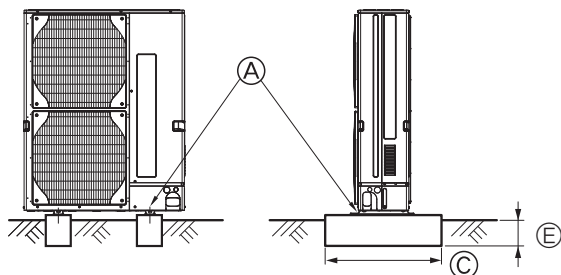
2.4.3. Vid installation av flera utomhusenheter (Se sista sidan)

Lämna minst 10 mm fritt utrymme mellan enheterna.

- ① Enbart hinder på baksidan (Fig. 2-12)
- ② Enbart hinder på baksidan och ovsidan (Fig. 2-13)
 - Installera inte fler än tre enheter bredvid varandra. Lämna dessutom avstånd mellan dem enligt bilden.
 - Använd inte de extra styrningarna för luftutblåset för luftflöden uppåt.
- ③ Enbart hinder på framsidan (Fig. 2-14)
 - * Vid användande av de extra styrningarna för luftutblåset, är avståndet 1000 mm eller mer.
- ④ Enbart hinder på framsidan och baksidan (Fig. 2-15)
 - * Vid användande av de extra styrningarna för luftutblåset, är avståndet 1000 mm eller mer.
- ⑤ Uppställning med en enstaka parallell enhet (Fig. 2-16)
 - * När de extra styrningarna för luftutblåset för luftflöden uppåt används, är avståndet 1000 mm eller mer.
- ⑥ Uppställning med flera parallella enheter (Fig. 2-17)
 - * När de extra styrningarna för luftutblåset för luftflöden uppåt används, är avståndet 1500 mm eller mer.
- ⑦ Uppställning med staplade enheter (Fig. 2-18)
 - Enheterna kan staplas upp till två på höjden.
 - Installera inte fler än två staplade enheter bredvid varandra. Lämna dessutom avstånd mellan dem enligt bilden.

3. Installation av utomhusenhet

(mm)



- Ⓐ M10 (3/8") bult
- Ⓑ Fundament
- Ⓒ Så långt som möjligt.
- Ⓓ Lufthål
- Ⓔ Placera djup ner i marken

- Se till att enheten monteras på ett stabilt och jämnt underlag för att förhindra skallrande ljud under pågående drift. (Fig. 3-1)

<Specifikationer för fundament>

Fundamentbult	M10 (3/8")
Betongtjocklek	120 mm
Bultlängd	70 mm
Viktberärande kapacitet	320 kg

- Se till att fundamentbultens längd ligger inom 30 mm av fundamentets bottenyta.
- Säkra enhetens fundament så det sitter säkert med fyra M10 fundamentbultar på stadiga platser.

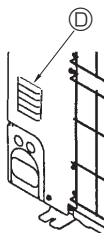
Installera utomhusenheten

- Blockera inte lufthålet. Om lufthålet blockeras, hindras driften och detta kan orsaka haveri.
- Förutom enhetens fundament kan man vid behov använda monteringshålen på enhetens baksida för att fästa ledningar osv. Använd självgående skruvar (ø5 × 15 mm eller mindre) och montera den på platsen.

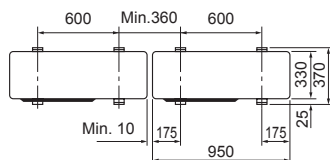
⚠ Varning:

- **Enheten måste fästas säkert på en konstruktion som kan bära dess vikt. Om enheten monteras på en instabil konstruktion, kan den falla ned och orsaka person- och maskinskador.**
- **Enheten ska installeras enligt anvisningarna för att risken för skador från jordbävningar, tyfoner och kraftig vind ska minimeras. En felaktigt installerad enhet kan falla ned och orsaka person- och maskinskador.**

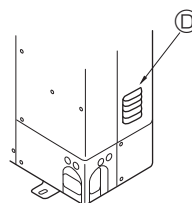
■ SHW80, 112, 140



■ SHW80, 112, 140



■ SHW230



■ SHW230

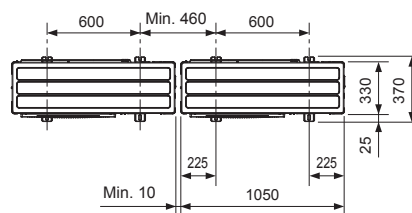


Fig. 3-1

4. Installera kylmedelsrör

4.1. Försiktighetsåtgärder för enheter som använder köldmedlet R410A

- Se 1.5. för försiktighetsåtgärder som inte finns med nedan när utomhusenheten används med köldmedlet R410A.
- Använd olja med ester, eter, alkylbensen (liten mängd) som den köldmedelsolja som används på flänsarna.
- Använd C1220 koppar/fosfor till skarvfria rör av koppar eller kopparlegering för anslutning av kylmedelsrören. Använd köldmedelsrör med den tjocklek som anges i tabellen nedan. Kontrollera att rörens insidor är rena och inte innehåller skadliga föroreningar som svavelhaltiga föreningar, oxider, skräp eller damm. Använd alltid icke-oxiderande hårdlödning när rören hårdlöds, annars kan kompressorn skadas.

⚠ Varning:

Vid installation, flytt eller service av utomhusenheten, använd endast angivet köldmedel (R410A) för att fylla på köldmedelsrören. Blanda inte med andra kylmedel och låt inte luft vara kvar i rören.

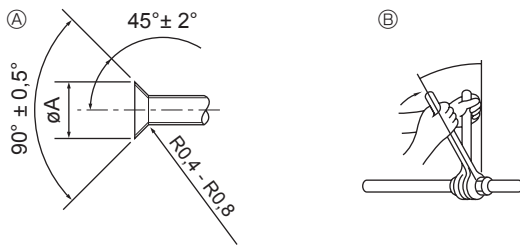
Om luft blandas med kylmedel kan det orsaka onormalt högt tryck i kylmedelsrören, vilket kan leda till explosion och andra faror.

Användning av annat kylmedel än det som specificeras för systemet orsakar mekaniska fel, systemfel eller haveri. I värsta fall kan det leda till en allvarlig brist som hotar produktens säkerhet.

Rörstorlek (mm)	ø6,35	ø9,52	ø12,7	ø15,88	ø19,05	ø22,2	ø25,4	ø28,58
Tjocklek (mm)	0,8	0,8	0,8	1,0	1,0	1,0	1,0	1,0

- Använd inte tunnare rör än dem som anges ovan.
- Använd 1/2 H- eller H-rör om diametern är 19,05 mm eller större.

4. Installera kylmedelsrör



- Ⓐ Mått för flänsning
Ⓑ Åtdragningsmoment för flänsmutter

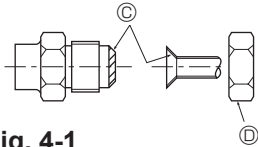


Fig. 4-1

Ⓐ (Fig. 4-1)

Kopparrör Y.D. (mm)	Flänsmått ϕA mått (mm)
$\phi 6,35$	8,7 - 9,1
$\phi 9,52$	12,8 - 13,2
$\phi 12,7$	16,2 - 16,6
$\phi 15,88$	19,3 - 19,7
$\phi 19,05$	23,6 - 24,0

Ⓑ (Fig. 4-1)

Kopparrör Y.D. (mm)	Flänsmutter Y.D. (mm)	Åtdragningsmoment (N·m)
$\phi 6,35$	17	14 - 18
$\phi 6,35$	22	34 - 42
$\phi 9,52$	22	34 - 42
$\phi 12,7$	26	49 - 61
$\phi 12,7$	29	68 - 82
$\phi 15,88$	29	68 - 82
$\phi 15,88$	36	100 - 120
$\phi 19,05$	36	100 - 120

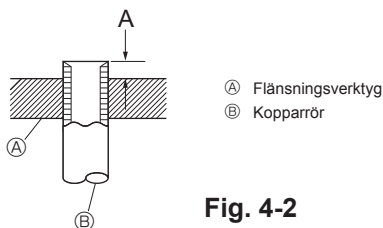
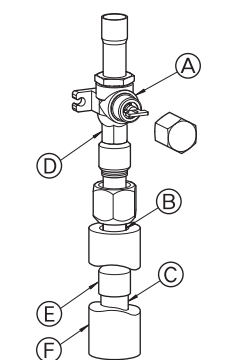
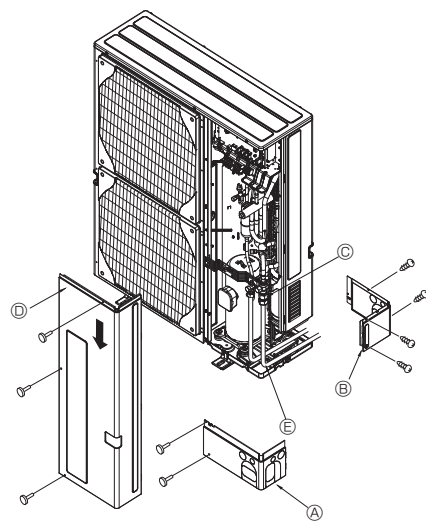


Fig. 4-2



- Ⓐ Stoppventil
Ⓑ Tätningssdel
Ⓒ Lokala rörledningar
Ⓓ Del för två skruvnycklar
Ⓔ Kopplingsrör
Ⓕ Rörskydd

Fig. 4-3



- Ⓐ Främre rörledningsskydd
Ⓑ Rörledningsskydd
Ⓒ Stoppventil
Ⓓ Servicepanel
Ⓔ Krökningradie : 100 mm - 150 mm

Fig. 4-4

4.2. Anslutningsrör (Fig. 4-1)

- Om kommersiellt tillgängliga kopparrör används bör vätske- och gasrör lindas med kommersiellt tillgängligt isoleringsmaterial (värmebeständig upp till 100°C eller mer, tjocklek 12 mm eller mer).
- Se till att sätta termal isolering separat på köldmedelsrör för gas och vätska.
- Inomhusdelarna på dräneringsröret bör lindas med isoleringsmaterial av polyetylenkum (specifik vikt 0,03, tjocklek 9 mm eller mer).
- Stryk på ett tunt lager av frysmaskinolja på röret och fogens tätningssyta innan den flänsade muttern dras åt. Ⓐ
- Använd 2 skruvnycklar för att dra åt röranslutningarna. Ⓑ
- När röranslutningarna avslutats, använd en läckdetektor eller en tvålvattenslösning för att kontrollera efter gasläckor.
- Sätt på köldmedelsolja på flänsens hela yta. Ⓒ
- Använd flänsmuttrar för följande rörstorlek. Ⓓ

		SHW80, 112, 140	SHW230
Gassida	Rörstorlek (mm)	$\phi 15,88$	$\phi 25,4$
Vätskesida	Rörstorlek (mm)	$\phi 9,52$	$\phi 12,7$

- När du böjer rören, se till att de inte går av. En böjningsradie på 100 mm till 150 mm räcker.
- Kontrollera att rören inte kommer i kontakt med kompressorn. Det kan orsaka onormalt ljud eller vibrationer.

- Rören ska anslutas med början från inomhusenheten. Flänsmuttrar ska alltid dras åt med momentnycklar.
- Flänsa rören för vätska och gasrören och sätt på ett tunt lager köldmedelsolja (på plats).
- När vanlig rörtätning används, se tabell 1 för flänsning av köldmedelsrör för R410A. Instrumentet för storleksinställning kan användas för kontroll av måtten A.

Tabell 1 (Fig. 4-2)

Kopparrör Y.D. (mm)	A (mm)	
	Flänsningsverktyg för R410A	Flänsningsverktyg för R22-R407C
	Kopplingstyp	
$\phi 6,35$ (1/4")	0 - 0,5	1,0 - 1,5
$\phi 9,52$ (3/8")	0 - 0,5	1,0 - 1,5
$\phi 12,7$ (1/2")	0 - 0,5	1,0 - 1,5
$\phi 15,88$ (5/8")	0 - 0,5	1,0 - 1,5
$\phi 19,05$ (3/4")	0 - 0,5	1,0 - 1,5

- Följ proceduren nedan när rör ansluts på gassidan. (Fig. 4-3) (SHW230)
1 Hårdlöd kopplingsrör Ⓔ på utomhusenheten med lokalt inhandlade material för hårdlödning och de lokala rören Ⓒ utan syre.
- Anslut kopplingsrör Ⓔ till stoppventilen på gassidan. Dra åt flänsmuttern med två skruvnycklar.
* Om proceduren utförs i omvänd ordning kan kylmedelsläckor uppstå på grund av att en del skadats av hårdlödningen.

4.3. Kylmedelsrör (Fig. 4-4)

- Ta bort servicepanelen Ⓓ (3 skruvar), det främre rörledningsskyddet Ⓐ (2 skruvar) och det bakre rörledningsskyddet Ⓑ (2 skruvar: SHW80 - 140) (4 skruvar: SHW230).
- Utför anslutning av kylmedelsrör för inomhus- och utomhusenheterna medan utomhusenhetens stoppventil är helt stängd.
 - Avlufta inomhusenheten och anslutningen av rörledningarna.
 - När köldmedelsrören anslutits, kontrollera om de anslutna rören och inomhusenheten läcker gas. (Se sidan 4.4. Provmotod för att kontrollera om köldmedelsrören är lufttäta.)
 - En högpresterande vakuumpump används vid stoppventilens serviceport för att bibehålla vakuum under lämplig tid (minst en timme efter att -101 kPa (5 Torr)) uppnåtts, för att vakuumtorka insidan av rörledningarna. Kontrollera alltid vakuumnivån vid vakuumanlutningen. Om fukt kvarstår i rörledningen kan vakuumnivån inte alltid uppnås med hjälp av vakuumpump under kort tid. Efter vakuumtorkningen ska utomhusenhetens stoppventiler (för både vätska och gas) öppnas helt. Detta kopplar ihop köldmedelskretsarna på inomhus- och utomhusenheterna helt.
 - Om vakuumtorkningen är otillräcklig finns det luft och vattenånga kvar i köldmedelskretsarna, vilket kan leda till onormalt högt tryck, onormalt lågt tryck, försämrade frysmaskinolja på grund av fukt, etc.
 - Om stoppventilerna lämnas öppna och enheten körs, skadas kompressorn och reglerventilerna.
 - Använd en läckagedetektor eller såpvatten för att leta efter gasläckor vid röranslutningarna på utomhusenheten.
 - Använd inte köldmedlet från enheten för att avlufta köldmedelsledningarna.
 - När du är klar med ventilerna, dra åt ventilhylsorna till rätt moment: 20 till 25 N·m (200 till 250 kgf·cm). Om hylsorna inte sätts tillbaka och dras åt kan detta orsaka köldmedelsläckage. Se dessutom till att inte skada ventilhylsornas insidor eftersom de fungerar som tätning för att förhindra köldmedelsläckage.
 - Använd tätningssmedel för att tätas ändarna på värmeisoleringen runt röranslutningarna för att förhindra att vatten kommer in i värmeisoleringen.

4. Installera kylmedelsrör

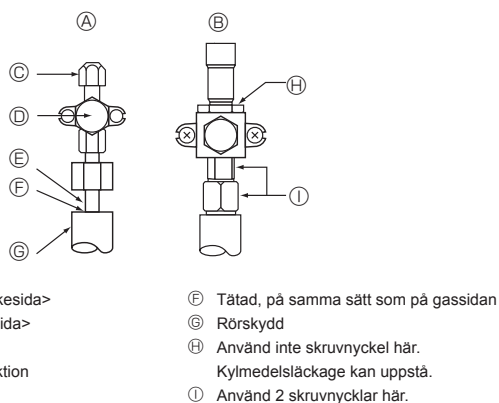


Fig. 4-5

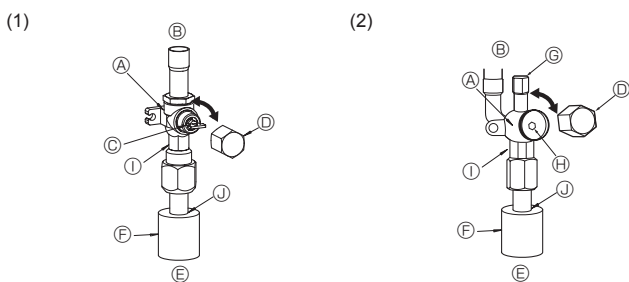


Fig. 4-6

Fig. 4-7

- (A) Ventil
(B) Enhetens sida
(C) Handtag
(D) Käpa
(E) Sida för lokalt rör
(F) Rörskydd
(G) Serviceöppning
(H) Skruvnyckelhål
- (I) Skruvnyckeldel
(Skruvnycklar får endast användas på denna del. Annan användning kan leda till köldmedelsläckor.)
(J) Tätningssdel (Täta änden på värmeisoleringen vid röranslutningen med tillgängligt tätningssmedel, för att förhindra att vatten kommer in i värmeisoleringen.)

4.4. Provmetod för att kontrollera om köldmedelsrören är lufttäta (Fig. 4-5)

- Anslut testverktygen.
 - Kontrollera att stoppventilerna (A) (B) är stängda, öppna dem inte.
 - Trycksätt köldmedelsledningarna via serviceöppning (C) på stoppventilen för vätska, (A).
- Trycksätt inte till det angivna trycket direkt, utan lägg på trycket lite i taget.
 - Trycksätt till 0,5 MPa (5 kgf/cm²G), vänta i fem minuter, och kontrollera att trycket inte minskar.
 - Trycksätt till 1,5 MPa (15 kgf/cm²G), vänta i fem minuter, och kontrollera att trycket inte minskar.
 - Trycksätt till 4,15 MPa (41,5 kgf/cm²G) och mät den omgivande temperaturen och köldmedelstrycket.
- Om det angivna trycket håller i ungefär en dag utan att minska, har rören klara testet och det finns inga läckor.
 - Om den omgivande temperaturen ändras med 1°C, ändras trycket med ungefär 0,01 MPa (0,1 kgf/cm²G). Gör nödvändiga ändringar.
- Om trycket minskar i steg (2) eller (3), finns det en gasläcka. Leta efter orsaken till denna gasläcka.

4.5. Öppningsmetod för stoppventil

Öppningsmetoden för stoppventiler varierar med olika modeller av utomhusenheter. Använd lämplig metod för att öppna stoppventilerna.

- Gassidan (Fig. 4-6)
 - Ta bort locket, dra handtaget mot dig och vrid motors 1/4 varv för att öppna.
 - Kontrollera att stoppventilen är helt öppen, tryck in handtaget och skruva på locket igen.
- Vätskesida (Fig. 4-7)
 - Ta bort kåpan och vrid ventilstången motsols så långt det går med en 4 mm sexkantsnyckel. Sluta när den når stoppet. (ø9,52: Ca. 10 varv)
 - Kontrollera att stoppventilen är helt öppen, tryck in handtaget och skruva på locket igen.

Köldmedelsrören skyddslindas

- Rören kan lindas in som skydd upp till en diameter på ø90 innan eller efter det att rören ansluts. Skär ut anvisningen i rörskyddet efter spåret och linda in rören.

Rörets inloppsöppning

- Använd kitt eller tätningssmassa för att täta rörinloppet runt rören så att det inte finns kvar några hål.

(Om hålen inte sluts, kan ljud komma ut ur enheten eller så kan vatten och damm komma in i enheten, vilket kan orsaka haveri.)

Försiktighetsåtgärder när påfyllningsventilen används (Fig. 4-8)

Dra inte åt serviceporten för mycket när den installeras, det kan göra att ventil kärnan deformeras och lossnar vilket kan leda till gasläckor.

När sektion (B) positionerats på önskad plats ska du vrida på sektion (A) enbart och dra åt den.

Dra inte åt sektionerna (A) och (B) mer tillsammans efter det att du dragit åt sektion (A).

⚠ Varning:

Vid installation av enheten ska kylvätskerören anslutas ordentligt innan kompressorn startas.

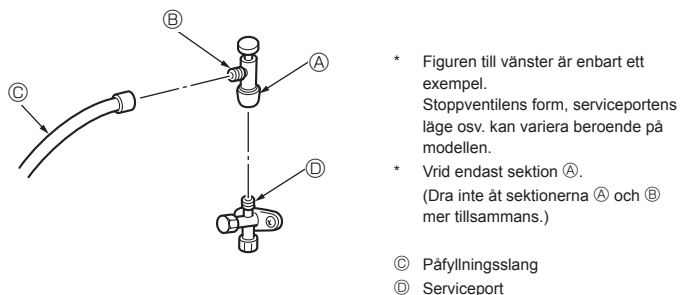


Fig. 4-8

4.6. Tillsats av kylmedel

- Ytterligare påfyllning av enheten krävs inte om rörlängden inte är längre än 30 m.
- Om rörlängden överstiger 30 m ska enheten laddas med extra R410A-kylmedel i enlighet med de tillåtna rörlängderna i tabellen nedan.

* När enheten stannat, fyll på den med ytterligare köldmedel genom stoppventilen för vätska när rören och inomhusenheter tomts.

När enheten är igång, fyll på köldmedel i gasbackventilen med en säkerhetsladdare. Fyll inte på flytande köldmedel direkt i backventilen.

* När du har fyllt på köldmedel i enheten, anteckna den påfyllda köldmedelsmängden på serviceetiketten (på enheten).

Se "1.5. Använda köldmedel R410A i utomhusenheter" för mer information.

- Var försiktig vid installation av flera enheter. Om man ansluter till fel inomhusenhet kan detta leda till onormalt högt tryck och påverka prestandan allvarligt.

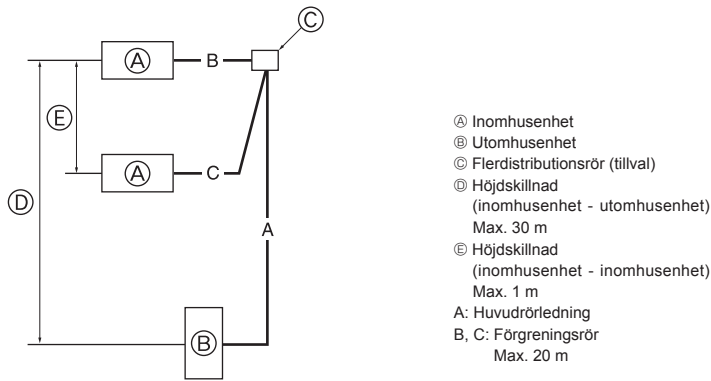
Modell	Tillåten rörlängd	Tillåten skillnad i vertikal led	Initial påfyllningsmängd köldmedel	Påfyllningsmängd köldmedel			
				31 - 40 m	41 - 50 m	51 - 60 m	61 - 75 m
SHW80, 112, 140	2 m - 75 m	Max. 30 m	5,5 kg	0,6 kg	1,2 kg	1,8 kg	2,4 kg

Modell	Tillåten rörlängd	Tillåten skillnad i vertikal led	Initial påfyllningsmängd köldmedel	Driftmetod	Vätskerörsstorlek	Påfyllningsmängd köldmedel						
						21 - 30 m	31 - 40 m	41 - 50 m	51 - 60 m	61 - 70 m	71 - 80 m	
SHW230	2 m - 80 m*1	Max. 30 m	7,1 kg	ATW	ø 12,7	-	1,4 kg	2,8 kg	4,2 kg	5,6 kg	7,0 kg	
						ø 9,52	-	-	0,8 kg	1,7 kg	2,6 kg	3,5 kg
							ø 12,7	1,4 kg	2,8 kg	4,2 kg	5,6 kg	7,0 kg
						ø 9,52		-	0,8 kg	1,7 kg	2,6 kg	3,5 kg

*1. Ställ kontrollkortet SW8-2 på ON när rörlängden är 10 m eller kortare (SHW230YKA2R2 eller senare).

4. Installera kylmedelsrör

<Gränsmått för installation av kylledning>



SHW112, 140 : A+B+C ≤ 75 m
 SHW230 : A+B+C ≤ 80 m

Fig. 4-9

4.7. För dubbla/tredubbla/fyrdubbla kombinationer (Fig. 4-9) (endast för luftkonditioneringar)

När denna enhet används som en "FRISTÄENDE MULTIKOMBINATIONSENHET", installera kylledningarna med de begränsningar som finns angivna på ritningen till vänster. Dessutom; om begränsningarna skall överskridas, eller om det kommer att bli kombinationer av inomhus- och utomhusenheter, se installationsanvisningarna för inomhusenheten för detaljer rörande installationen.

Utomhusenhet	Totalt tillåten rörledningslängd A+B+C	Mindre påfyllning rörledningslängd A+B+C
SHW112, 140	75 m eller mindre	30 m eller mindre
SHW230	80 m eller mindre	30 m eller mindre

Utomhusenhet	B-C	Antal böjar
SHW112, 140, 230	8 m eller mindre	Inom 15

5. Dräneringsrör

Anslutningar för dräneringsrör för utomhusenheten

PUHZ-SHW-serien kan inte anslutas med ett dräneringsrör på grund av specifikationerna för kalla klimat.

6. Rörledningsarbeten för vatten (endast för luft/vatten-värmepump)

Minsta vattenmängd

Följande vattenmängd krävs i vattenkretsen.

Modell	Minsta vattenmängd (L)
SHW80	34
SHW112	48
SHW140	60
SHW230	99

Se till att frostskydda enheten genom att till exempel använda frostskyddsmedel när du använder enheten i kyläge vid låg omgivningstemperatur (under 0 °C).

7. Elektriska arbeten

7.1. Utomhusenhet (Fig. 7-1, Fig. 7-2)

- 1 Ta bort servicepanelen.
- 2 Hänvisa till fig. 7-1 och fig. 7-2 när kablarna dras.

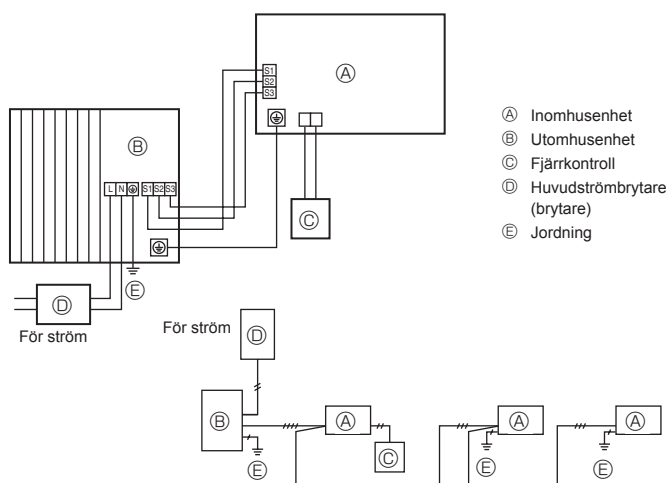
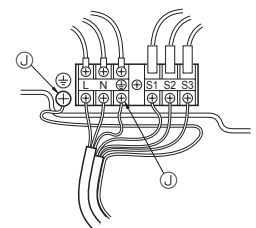


Fig. 7-1

■ SHW80, 112V



■ SHW112 - 230V

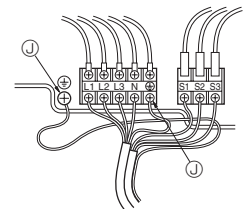
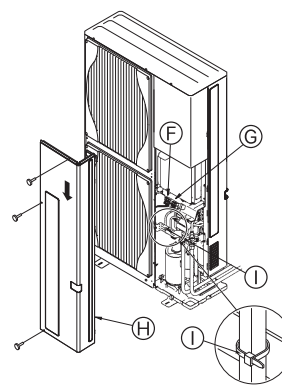


Fig. 7-2



- F Kopplingsplint
 G Kopplingsplintar för anslutningar inomhus/utomhus (S1, S2, S3)
 H Servicepanel
 I Klämma
 J Jorduttag
 * Fäst kablarna så att de inte kommer i kontakt med servicepanelens mitt eller gasventilen.

Obs: Endast för luft/vatten-värmepump
 När flera inomhusenheter (hydroboxar) är kopplade till utomhusenheten ska ett av inomhusenheternas kretskort kopplas till utomhusenheten (S1, S2, S3).

Det går inte att ansluta flera inomhusenheters kretskort till utomhusenheten.

Obs: Kom ihåg att montera tillbaka elkompontentlådans skyddsark om det tas bort vid underhåll.

⚠ Försiktighet:

Se till att installera N-ledningen. Utan N-ledningen kan enheten skadas.

7. Elektriska arbeten

7.2. Elektriska kopplingar på fältet

Utomhusenhetens modell		SHW80V	SHW112V	SHW112, 140Y	SHW230Y
Kraftmatning, utomhusenhet		~N (Enfas), 50 Hz, 230 V	~N (Enfas), 50 Hz, 230 V	3N~ (3-fas 4 ledningar), 50 Hz, 400 V	3N~ (3-fas 4 ledningar), 50 Hz, 400 V
Utomhusenhetens ineffekt Frånskiljare (brytare)		*1 32 A	40 A	16 A	25 A
Ledningsdragnings Lechningsnummer x storlek (mm ²)	Kraftmatning, utomhusenhet	3 x Min. 4	3 x Min. 6	5 x Min. 1,5	5 x Min. 4
	Inomhusenhet-Utomhusenhet	*2 3 x 1,5 (Polar)	3 x 1,5 (Polar)	3 x 1,5 (Polar)	Kabellängd 50 m : 3 x 4 (Polar)/ Kabellängd 80 m : 3 x 6 (Polar)
	Inomhusenhet-Utomhusenhet, jord	*2 1 x Min. 1,5	1 x Min. 1,5	1 x Min. 1,5	1 x Min. 2,5
	Anslutningsledning fjärrkontroll/inomhusenhet	*3 2 x 0,3 (Opolariserad)	2 x 0,3 (Opolariserad)	2 x 0,3 (Opolariserad)	2 x 0,3 (Opolariserad)
Kretsens märkvärde	Utomhusenhet L-N (Enfas)	*4 230 VAC	230 VAC	230 VAC	230 VAC
	Utomhusenhet L1-N, L2-N, L3-N (3-fas)	*4 230 VAC	230 VAC	230 VAC	230 VAC
	Inomhusenhet-Utomhusenhet S1-S2	*4 24 VDC	24 VDC	24 VDC	24 VDC
	Inomhusenhet-Utomhusenhet S2-S3	*4 12 VDC	12 VDC	12 VDC	12 VDC

*1. Använd en jordslutningsbrytare (NV) med minst 3,0 mm avstånd mellan kontakterna i varje pol.

Säkerställ att jordfelsbrytaren är kompatibel med högre svängningar.

Använd alltid en jordfelsbrytare som är kompatibel med högre svängningar eftersom denna enhet är utrustad med en växelriktare.

Om en otillräcklig brytare används kan växelriktaren fungera felaktigt.

*2. (SHW80 - 140)

Max. 45 m

Om 2,5 mm² används, max. 50 m

Om 2,5 mm² används och S3 är separat, max. 80 m

(SHW230)

Max. 80 m Totalt är den maximala längden för alla inom-/ inomhusanslutningar 80 m.

* Använd en kabel för S1 och S2 och en annan för S3 så som visas på bilden.

*3. En 10 m ledning är monterad på tillbehöret fjärrkontrollen.

*4. Värdena gäller INTE alltid jordningen.

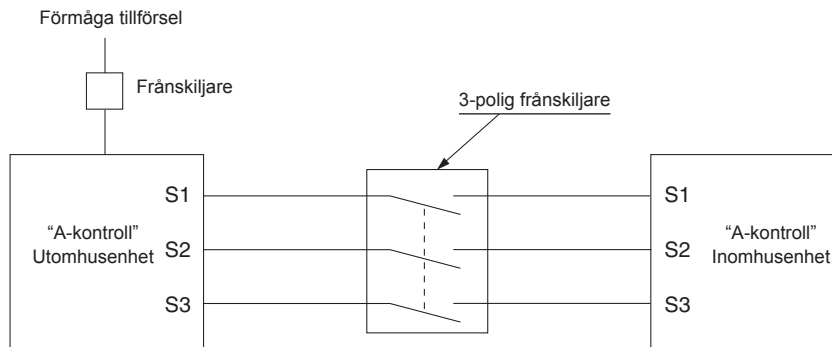
S3-uttaget har 24 VDC till skillnad från S2-uttaget. Mellan S3 och S1 är uttagen INTE elektriskt isolerade av transformatorn eller någon annan enhet.



Obs: 1. Kabeltjockleken måste överensstämma med nationella föreskrifter.

2. Nätströmssladdar och anslutningsladdar för inom- och utomhusenheter bör inte vara lättare än polykloroprenskärmad böjlig sladd. (Konstruktion 60245 IEC 57)

3. Använd en jordledning som är längre än de andra kablarna så att den inte kopplas bort om kabeln spänns.



⚠ Varning:

- Vid ledningsdragnings med A-styrning finns det potentiellt hög spänning i S3-uttaget orsakat av de elektriska kretsarnas utformning som inte har elektrisk isolering mellan strömledningen och kommunikationssignalledningen. Stäng därför av nätströmstillförseln vid underhåll. Ta inte på uttagen S1, S2, S3 när strömmen magnetiseras. Använd en 3-polig frånskiljare om en frånskiljare används mellan inomhus- och utomhusenheten.
- Om temperaturen är under -20°C behöver enheten minst 12 timmar i standbyläge för att värma upp de elektriska delarna.

Strömkabeln eller kabeln för utomhusanslutningar får aldrig skarvas. Det kan leda till rökbildning, brand eller kommunikationsfel.

ANSLUTNINGSKABEL FÖR INOMHUS-/UTOMHUSENHET (SHW230)

Tvårsnitt av kabeln	Trådtjocklek (mm ²)	Antal trådar	Polaritet	L (m)*6
Rund	2,5	3	Medurs : S1-S2-S3 * Notera gul och grön märkning	(30) *2
Flat	2,5	3	Gäller ej (Eftersom mittledaren inte har något hölje)	Gäller ej *5
Flat	1,5	4	Från vänster till höger : S1-Öppen-S2-S3	(18) *3
Rund	2,5	4	Medurs : S1-S2-S3-Öppen * Anslut S1 och S3 mitt emot varandra	(30) *4

*1 : Nätssladdar för apparater ska inte vara klenare än design 60245 IEC eller 227 IEC.

*2 : I händelse av att kabel med gul och grön märkning finns tillgängligt.

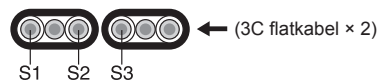
*3 : I händelse av konventionell polanslutning (S1-S2-S3), kabeltjockleken är 1,5 mm².

*4 : I händelse av konventionell polanslutning (S1-S2-S3).

*5 : Om flatkablarna är inkopplade enligt bilden, kan de användas upp till 30 m.

*6 : Nämnt kabellängd är enbart som exempel.

Det kan skilja sig beroende på installationsförhållande, fuktighet eller material, etc.



Se till att inom- och utomhusenheternas anslutningskablar ansluts direkt till enheterna (inga mellanliggande anslutningar).

Mellanliggande anslutningar kan leda till kommunikationsfel om vatten tränger in i kablarna och gör jordisoleringen otillräcklig eller skapar dålig elektrisk kontakt vid den mellanliggande anslutningspunkten.

8. Provkörning (endast för luftkonditioneringar)

8.1. Innan provkörningen

- ▶ Efter installationen och då rör- och elarbeten för inomhus- och utomhusenheterna är avslutade, leta efter köldmedelsläckage, lösa anslutningar för nätström eller styrström och felaktig polaritet och att det inte finns någon urkoppling av en fas i matningsspänningen.
- ▶ Använd en 500 volt megohmmeter för att kontrollera att motståndet mellan nätströmsuttag och jord är minst 1 MΩ.
- ▶ Utför ej denna test på styrströmsledningarnas uttag (lågspänningskretsar).

⚠ Varning:

Använd inte utomhusenheten om isoleringsmotståndet är mindre än 1 MΩ.

Isoleringsresistans

Efter installationen eller när enhetens spänningskälla har varit urkopplad under en längre tid, sjunker isoleringsresistansen under 1 MΩ på grund av köldmedel som ansamlas i kompressorn. Detta är inget fel. Gör följande:

1. Ta bort ledningarna från kompressorn och mät kompressorns isoleringsresistans.
2. Om isoleringsresistansen är lägre än 1 MΩ, är det fel på kompressorn eller så sjönk resistansen på grund av ansamlingen av köldmedel i kompressorn.
3. När du ansluter ledningarna till kompressorn, börjar den värmas upp när spänningen kopplats in. Mät isoleringsresistansen igen, när spänningen varit inkopplad den tid som anges nedan.

- Isoleringsresistansen sjunker på grund av ansamling av köldmedel i kompressorn. Resistansen ökar över 1 MΩ när kompressorn värmts upp i 4 timmar. (Den tid som behövs för att värma upp kompressorn varierar på grund av atmosfäriska villkor och ansamlingen av köldmedel.)
 - För att man ska kunna använda kompressorn när köldmedel ansamlats i kompressorn, måste den värmas upp i minst 12 timmar för att förhindra haveri.
4. Om isoleringsresistansen ökar över 1 MΩ, är det inget fel på kompressorn.

⚠ Försiktighet:

- **Kompressorn kommer ej att fungera om inte fasanslutningen för nätströms-tillförseln är korrekt.**
 - **Slå på strömmen minst 12 timmar innan provkörningen startas.**
 - Om drift inleds omedelbart efter det att nätströmmen slagits på kan interna delar skadas. Låt strömbytare vara inkopplad under driftssäsongen.
- ▶ **Följande måste även kontrolleras.**
- Utomhusenheten är hel. LED1 och LED2 på utomhusenhetens kontrollkort blinkar när utomhusenheten är trasig.
 - Både stoppventilen för gas och den för vätska är helt öppna.
 - En skyddsplåt täcker Dip-omkopplarens panel på utomhusenhetens kontrollkort. Ta bort skyddsplåten så att du enkelt kan ändra Dip-omkopplarna.

8.2. Provkörning

8.2.1. Använda SW4 på utomhusenheten

SW4-1	ON	Nedkylning
SW4-2	OFF	
SW4-1	ON	Uppvärmning
SW4-2	ON	

- * Efter provkörningen, ställs SW4-1 in på OFF.
- När spänningen kopplas in kan ett litet, klickande ljud höras inifrån utomhusenheten. Den elektroniska expansionsventilen öppnas och stängs. Enheten är hel.

- Ett par sekunder efter att kompressorn startar kan ett klingande ljud höras inifrån utomhusenheten. Ljudet kommer från backventilen och beror på den lilla tryckskillnaden i rören. Enheten är hel.

Driftssättet vid provkörning kan inte ändras med Dip-omkopplarna SW4-2 under själva provkörningen. (För att ändra driftssättet vid provkörning under själva provkörningen, stoppa provkörningen med Dip-omkopplare SW4-1. När du ändrat driftssättet vid provkörning, fortsätt provkörningen med omkopplare SW4-1.)

8.2.2. Att använda fjärrkontrollen

Se Installationsmanual för inomhusenhet för mera information.

Obs :

Ibland kan ånga som skapas vid avfrostningen verka som rök som kommer ut från enheten utomhus.

9. Specialfunktioner

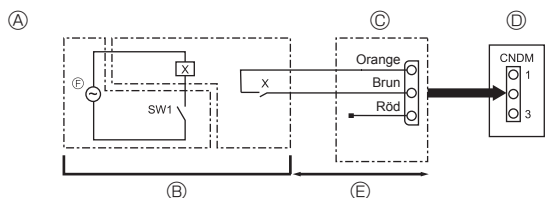


Fig. 9-1

- A Exempel på kopplingsschema (lågsta ljud-nivå)
 B Uppställning på plats
 C Yttre inadapter (PAC-SC36NA-E)
 X: Relä
 D Utomhusenhetens kontrollkort
 E Max. 10 m
 F Strömförsörjning för relä

9.1. Lägsta ljud-nivå (ändring på plats) (Fig. 9-1)

Om du gör följande ändring kan ljudet från utomhusenheten vid drift minska med 3-4 dB.

Lågsta ljud-nivån aktiveras när en vanlig timer eller kontakten på en ON/OFF-omkopplare (till/från) läggs till CNDM-anslutningen (säljs separat) på utomhusenhetens kontrollkort.

- Resultatet varierar med utomhustemperaturen och -villkoren osv.

- ① Slut kretsen enligt figuren med den yttre inadaptern (PAC-SC36NA-E). (Säljs separat)
- ② SW1 ON (till): Lågsta ljud-nivå
SW1 OFF (från): Normal drift

Obs:

När Dip-omkopplarna SW7-1 och SW9-1 på utomhusenhetens kontrollkort är på ON ska Dip-omkopplarna SW7-1 och SW9-1 ställas på OFF. (Det här läget kan inte användas tillsammans med behovsfunktionen.)

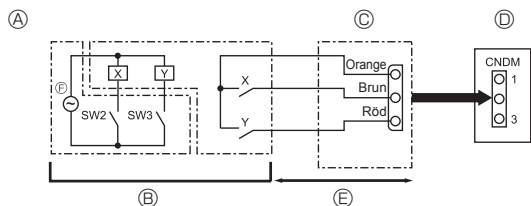


Fig. 9-2

- A Exempel på kopplingsschema (Behovsfunktion)
 B Uppställning på plats
 C Yttre inadapter (PAC-SC36NA-E)
 X, Y: Relä
 D Utomhusenhetens kontrollkort
 E Max. 10 m
 F Strömförsörjning för relä

9.2. Behovsfunktion (ändring på plats) (Fig. 9-2) (endast för luftkonditionering)

När följande ändring utförs kan energiförbrukningen minska med 0-100% jämfört med normal förbrukning.

Behovsfunktionen aktiveras när en vanlig timer eller kontakten på en ON/OFF-omkopplare (PÅ/AV) läggs till CNDM-anslutningen (säljs separat) på utomhusenhetens styrkort.

- ① Slut kretsen enligt figuren med den yttre inadaptern (PAC-SC36NA-E). (Säljs separat)
- ② Genom att ställa in SW7-1 på utomhusenhetens styrkort kan energiförbrukningen begränsas (jämfört med normal förbrukning) så som visas nedan.

	SW7-1	SW2	SW3	Energiförbrukning
Behovsfunktion	ON	OFF	OFF	100%
		ON	OFF	75%
		ON	ON	50%
		OFF	ON	0% (Stopp)

9.3. Återvinning av köldmedel

Vid omplacering eller avyttrande av inom-/utomhusenheten ska du följa anvisningarna nedan för att pumpa ur systemet så att köldmedel inte släpps ut i atmosfären.

- ① Stäng av strömförsörjningen (strömbrytare).
- ② Anslut lågtrycksventilen på mätarröret till påfyllningspluggen (lågtryckssidan) på utomhusenheten.
- ③ Stäng stoppventilen för vätska helt.
- ④ Koppla in spänningen (överspänningsskydd).
 - * När spänningen är inkopplad, kontrollera att "CENTRALLY CONTROLLED" (centralt styrd) inte visas på fjärrkontrollen. Om "CENTRALLY CONTROLLED" visas, kan inte återvinningen av köldmedel slutföras på vanligt sätt.
 - * Det tar cirka 3 minuter att starta kommunikationen mellan inom- och utomhusenheten efter det att strömmen (strömbrytaren) slås på. Starta inhämtningen 3 till 4 minuter efter det att strömmen (strömbrytaren) slagits PÅ.
- ⑤ Utför proceduren för uppsamling av köldmedel (testkörning för kylning).
 - * Tryck på pumpomkopplaren SWP (tryckknapp) på utomhusenhetens styrkort. Kompressorn och ventilatorerna (inom- och utomhusenheterna) startar (inhämtningen av köldmedel börjar). (LED1 och LED2 på utomhusenhetens styrkort lyser.)
 - * Tryck bara på SWP-pumpomkopplaren om enheten är stoppad. Det går inte att inhämta köldmedel om enheten stoppats och SWP-pumpomkopplaren trycks in mindre än 3 minuter efter det att kompressorn stoppats. Vänta tills kompressorn har varit stoppad i 3 minuter och tryck sedan på SWP-pumpomkopplaren igen.
- ⑥ Stäng kulventilen på utomhusenhetens gasrörssida helt när tryckmätaren på mätarröret visar 0,05 till 0 MPa [Mätare] (cirka 0,5 till 0 kgf/cm²) och stoppa snabbt utomhusenheten.

* Enheten stannar om SWP-pumpomkopplaren trycks in igen.

* Eftersom enheten stoppas automatiskt inom cirka 3 minuter när inhämtningen av köldmedel är klar (LED1 av, LED2 på) ska du komma ihåg att snabbt stänga kulventilen för gas. Om LED1 lyser och LED2 är av och enheten är stoppad ska du öppna stoppventilen för vätska helt, stänga ventilen helt när 3 minuter eller mer har gått och sedan upprepa steg ⑤. (Öppna kulventilen för gas helt.)

* Om inhämtningen av köldmedel har slutförts som den ska (LED1 släckt, LED2 tänd) kommer enheten att vara i stoppläge tills strömförsörjningen stängs av.

* Observera att om förlängningsrören är mycket långa med en stor mängd köldmedel kanske det inte går att genomföra en återvinning. I sådant fall ska du samla upp köldmedlet i systemet med en utrustning för köldmedelsuppsamling.

- ⑦ Stäng av strömförsörjningen (strömbrytare), ta bort mätarröret och koppla bort köldmedelsrören.

⚠ Varning:

Vid uppsamling av köldmedium ska kompressorn stoppas innan köldmedelsrören kopplas bort.

• Om köldmedelsrören kopplas bort när kompressorn är igång och stoppventilen (kulventilen) är öppen, kan trycket i kylningscykeln bli extremt högt om luft sugts in vilket kan leda till att rören sprängs eller att personskador uppstår osv.

9.4 Ställa in temperaturen för funktionen ZUBADAN flash injection

Funktionen ZUBADAN flash injection ger hög värme vid låga utomhustemperaturer.

- SW9-3 och SW9-4 på utomhusenhetens kontrollkort möjliggör inställning av tillgänglig temperatur för funktionen ZUBADAN flash injection såsom visas i tabellen nedan.

SW9-3	SW9-4	Utomhustemperatur
OFF	OFF	3°C eller mindre (Standardinställning)
OFF	ON	0°C eller mindre
ON	OFF	-3°C eller mindre
ON	ON	-6°C eller mindre

10. Systemkontroll

10.1. Luftkonditioneringar

Ⓒ SW 1 - 3 till 6

ON	<input type="checkbox"/>	<input type="checkbox"/>	<input type="checkbox"/>	<input type="checkbox"/>	<input type="checkbox"/>
OFF	<input type="checkbox"/>	<input type="checkbox"/>	<input type="checkbox"/>	<input type="checkbox"/>	<input type="checkbox"/>
	3	4	5	6	

Ⓔ SW 1 - 3 till 6

ON	<input type="checkbox"/>	<input type="checkbox"/>	<input type="checkbox"/>	<input type="checkbox"/>	<input type="checkbox"/>
OFF	<input type="checkbox"/>	<input type="checkbox"/>	<input type="checkbox"/>	<input type="checkbox"/>	<input type="checkbox"/>
	3	4	5	6	

Ⓒ SW 1 - 3 till 6

ON	<input type="checkbox"/>	<input type="checkbox"/>	<input type="checkbox"/>	<input type="checkbox"/>	<input type="checkbox"/>
OFF	<input type="checkbox"/>	<input type="checkbox"/>	<input type="checkbox"/>	<input type="checkbox"/>	<input type="checkbox"/>
	3	4	5	6	

Ⓐ Utomhusenhet
 Ⓑ Inomhusenhet
 Ⓒ Huvudfjärrkontroll
 Ⓓ Extra fjärrkontroll
 Ⓔ Standard 1:1 (Kylmedelsadress = 00)
 Ⓕ Simultant tvåenhetssystem (Kylmedelsadress = 01)
 Ⓖ Simultant treenhetssystem (Kylmedelsadress = 02)

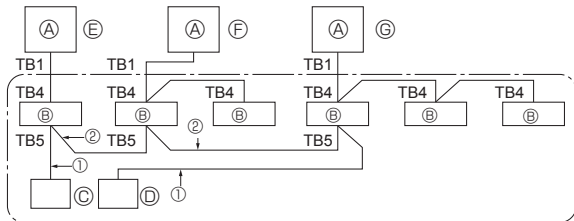
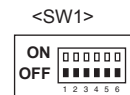


Fig. 10-1

* Ställ in kylmedelsadressen med hjälp av utomhusenhetens Dip-omkopplare.
 ① Ledning från fjärrkontrollen
 Denna ledning är ansluten till TB5 (kopplingsbord för fjärrkontroll) på inomhusenheten (icke-polär).
 ② När en annan kylmedelssystemgruppering används.
 Upp till 16 kylmedelssystem kan styras som en grupp med hjälp av fjärrkontrollen slim MA.

Anmärkning:
 I ett enkelt kylsystem (dubbel/trippel) behöver inte ② anslutas.

SW1
 Funktionstabell



	Funktion	Drift i enlighet med omkopplarinställning	
		ON	OFF
SW1 Funktion- inställningar	1 Obligatorisk avfrostning	Start	Normal
	2 Rensa felhistorik	Rensa	Normal
	3 Kylmedelssystemets adressinställning	Inställningar för utomhusadresserna 0 till 15	
	4		
	5		
	6		

10.2. Luft/vatten-värmepump

Ställ in köldmediumadressen med Dip-omkopplaren på utomhusenheten.

SW1-funktionsinställning

SW1-inställning	Köldmediumadress	SW1-inställning	Köldmediumadress
ON OFF 3 4 5 6 7	00	ON OFF 3 4 5 6 7	03
ON OFF 3 4 5 6 7	01	ON OFF 3 4 5 6 7	04
ON OFF 3 4 5 6 7	02	ON OFF 3 4 5 6 7	05

Obs:

- Det går att ansluta upp till 6 enheter.
- Välj en enda modell för alla enheter.
- Information om inställningar för inomhusenhetens Dip-omkopplare finns i inomhusenhetens bruksanvisning.

11. Specifikationer

Ljudnivå (uppmätt under markerad frekvens för drift.)

			SHW80VHA	SHW112Y/VHA	SHW140YHA	SHW230YKA2
SPL	Uppvärmning	dB(A)	51	52	52	59
	Nedkyllning	dB(A)	50	51	51	58
PWL	Uppvärmning	dB(A)	69	70	70	75

İçindekiler

1. Güvenlik Önlemleri	112	7. Elektrik işleri	118
2. Montaj yeri	113	8. Çalışma testi (sadece klimalar için)	120
3. Dış ünitenin monte edilmesi	115	9. Özel fonksiyonlar	121
4. Soğutucu borularının monte edilmesi	115	10. Sistem kontrollü	122
5. Drenaj Tesisatı İşleri	118	11. Özellikler	122
6. Su borularındaki işler (Sadece Havadan Suyu Isı Pompası için)	118		

⚠ Dikkat:

- R410A'yı Atmosfere bırakmayın:

1. Güvenlik Önlemleri

► Üniteyi monte etmeden önce "Güvenlik Önlemleri"nin hepsini okumalısınız.

► Lütfen sisteme bağlamadan önce elektrik kurumuna haber verin veya onayını alın.

► PUHZ-SHW230YKA2

"Bu cihaz, IEC 61000-3-12 ile uyumludur ve kısa devre kuvveti olan S_{sc} , kullanıcı güç kaynağı ile şebeke sistemi arasında bulunan arabirim noktasındaki S_{sc} (*1) değerinden daha yüksek ya da bu değere eşittir. Cihazın, yalnızca kısa devre kuvvetinin S_{sc} değeri S_{sc} (*1) değerine eşit ya da bu değerden daha yüksek olan bir kaynağa bağlanmasını sağlamak, cihazı monte eden ya da kullanan kişinin sorumluluğundadır; gerekirse bu konu hakkında dağıtım şebekesi operatörüne danışılabilir"

S_{sc} (*1)

Modeller	S_{sc} (MVA)
PUHZ-SHW230YKA2	1,35

⚠ Uyarı:

Kullanıcı açısından yaralanma veya ölüm tehlikesinin önüne geçmek için alınması gereken önlemleri açıklar.

⚠ Dikkat:

Cihazın hasar görmesini önlemek için alınması gereken önlemleri açıklar.

Montaj tamamlandıktan sonra, Kullanma Kılavuzunda yer alan bilgilere uygun şekilde müşteriye cihazın "Güvenlik Önlemleri" ni, kullanımını ve bakımını açıklayın ve cihazın normal şekilde çalıştığından emin olmak için bir çalışma testi yapın. Hem Montaj Kılavuzu hem de Kullanım Kılavuzu, kullanıcıda kalmak üzere kendisine verilmelidir. Bu kılavuzlar sonraki kullanıcılara da devredilmelidir.

⚠ Topraklanması gereken parçaları gösterir.

⚠ Uyarı:

Ana üniteye yapıştırılmış olan etiketleri dikkatle okuyunuz.

⚠ Uyarı:

- Cihaz kullanıcı tarafından monte edilmemelidir. Satıcıdan veya yetkili servisten cihazı monte etmelerini isteyin. Cihazın montajı yanlış yapıldığı takdirde, su kaçağı, elektrik çarpması veya yangın meydana gelebilir.
- Montaj işleri sırasında, Montaj Kılavuzu'nda yer alan talimatları izleyin ve R410A soğutucu ile kullanılmak üzere özel olarak imal edilmiş gereçleri ve boru elemanlarını kullanın. HFC sistemi içindeki R410A soğutucu, sıradan soğutuculardan 1,6 kat daha yüksek bir basınçla sıkıştırılmıştır. R410A soğutucu için tasarlanmamış boru elemanları kullanıldığı ve cihaz doğru şekilde monte edilmediği takdirde, borular patlayabilir ve hasara veya yaralanmalara yol açabilir. Ayrıca, su kaçağı, elektrik çarpması veya yangın da meydana gelebilir.
- Deprem, fırtına veya şiddetli rüzgardan zarar görme riskini en aza indirmek için, cihaz talimatlara uygun olarak monte edilmelidir. Yanlış monte edilmiş bir cihaz düşebilir ve hasara veya yaralanmalara yol açabilir.
- Cihaz, ağırlığını taşıyabilecek bir yapı üzerine emniyetli şekilde monte edilmelidir. Cihaz dengesiz bir yapı üzerine monte edildiği takdirde, düşebilir ve hasara veya yaralanmalara yol açabilir.
- Dış ünite küçük bir odaya takıldıysa, odadaki soğutucu akışkan yoğunluğunun kaçak durumunda güvenlik limitini geçmemesine dikkat edilmelidir. İzin verilen konsantrasyonun aşılması için alınacak tedbirler konusunda satıcıya danışın. Soğutucu kaçağı olması ve konsantrasyon sınırının aşılması durumunda, oda içinde oluşacak oksijen azlığı nedeniyle tehlikeli durumlara yol açılabilir.
- Kullanım sırasında soğutucu kaçağı meydana gelirse, odayı havalandırın. Soğutucunun alevle temas etmesi durumunda zehirli gazlar oluşabilir.
- Bütün elektrik işleri ruhsatlı teknisyenler tarafından, yerel yönetmeliklere ve bu kılavuzda verilen talimatlara uygun şekilde yapılmalıdır. Cihazlar kendilerine ayrılmış elektrik hatlarına bağlanmalı ve doğru voltaj ve devre kesiciler kullanılmalıdır. Yetersiz kapasiteye sahip elektrik tesisatı ve elektrik işlerinin yanlış yapılması elektrik çarpmasına veya yangına neden olabilir.
- Soğutucu borularını bağlarken, bakır ve bakır alaşımı kaynaklı borular için C1220 bakır fosfor kullanın. Borular düzgün şekilde bağlanmadığı takdirde, cihaz doğru şekilde topraklanmayacak ve elektrik çarpması riski doğacaktır.

- Kablolama için sadece belirtilen kabloları kullanın. Kablolama bağlantıları, terminal bağlantılarında hiç gerilim uygulanmadan güvenli yapılmalıdır. Ayrıca kablolama için kabloları hiçbir zaman birbirine bağlamayın (tersi bu belgede belirtilmedikçe). Bu talimatlara uyulmaması aşırı ısınmaya ya da yangına neden olabilir.
- Bina dışı ünitenin terminal blok kapağı paneli sıkıca tutturulmalıdır. Kapak paneli yanlış yerleştirilirse ve üniteye toz ve nem girerse, elektrik şoku oluşabilir veya yangın çıkabilir.
- Dış üniteyi monte ederken, yerini değiştirirken ya da bakım yaparken, soğutucu hatlarını doldurmak için sadece belirtilen soğutucuyu (R410A) kullanın. Bu soğutucuyu diğer soğutucularla karıştırmayın ve hatlarda hava kalmamasını sağlayın. Havanın soğutucuyla karışması, soğutucu hattında anormal bir basınç oluşmasına neden olabilir ve bu da patlamaya veya diğer tehlikelerin ortaya çıkmasına neden olabilir.
- Sistem için belirtilenden farklı bir soğutucunun kullanılması mekanik arıza, sistemin bozulmasına veya ünitenin arızalanmasına neden olabilir. Bu durum, en kötü ihtimalde ürün güvenliğinin sağlanması açısından bir engel ortaya çıkarabilir.
- Bunların monte edilmesi sırasında yalnızca Mitsubishi Electric tarafından izin verilen aksesuarları kullanın veya satıcı veya yetkili teknisyene danışın. Aksesuarların montajı yanlış yapıldığı takdirde, su kaçağı, elektrik çarpması veya yangın meydana gelebilir.
- Cihaz üzerinde değişiklik yapmayın. Onarım işleri için satıcıya başvurun. Değişikliklerin veya onarımların yanlış yapılması durumunda, su kaçağı, elektrik çarpması veya yangın meydana gelebilir.
- Kullanıcı asla cihazı tamir etmeye veya başka bir yere taşımaya kalkışmamalıdır. Cihazın montajı yanlış yapıldığı takdirde, su kaçağı, elektrik çarpması veya yangın meydana gelebilir. Dış ünitenin onarılması ya da taşınması gerekirse, bir bayiye ya da kalifiye teknisyene başvurun.
- Montaj tamamlandıktan sonra, soğutucu kaçağı olup olmadığını kontrol edin. Soğutucunun odaya sızması ve herhangi bir ısıtıcının alevi veya portatif bir yemek pişirme aracının etki alanıyla temas etmesi halinde zehirli gazlar oluşabilir.

1.1. Montajdan önce

⚠ Dikkat:

- Cihazı alınılmadık ortamlarda kullanmayın. Dış ünite buhar, uçucu yağ (makine yağı dahil) ya da sülfürik asidin olduğu ya da deniz kenarı gibi yüksek tuz içeriğinin bulunduğu veya ünitenin kar ile kaplanma ihtimalinin olduğu alanlara monte edilirse, performans ciddi şekilde düşebilir ve iç parçalar hasar görebilir.
- Cihazı yanıcı gazların oluşabileceği, sızabileceği, akabileceği veya birikebileceği yerlere monte etmeyin. Cihazın yakınında yanıcı gazların birikmesi halinde yangın veya patlama meydana gelebilir.

- Dış ünite, ısıtma işlemi sırasında yoğunlaşmaya yol açar. Söz konusu yoğunlaşmanın zarar verme olasılığı varsa, dış ünite etrafında drenaj sağlayın.
- Cihazı hastane veya iletişim ofislerine monte ederken, gürültü ve elektronik parazitte karşı hazırlıklı olun. İnvörtörler, evdeki cihazlar, yüksek frekanslı tıbbi cihazlar ve kablosuz iletişim cihazları dış ünitenin yanlış çalışmasına veya arızalanmasına neden olabilir. Dış ünite ayrıca, tıbbi cihazları etkileyebilir, tıbbi bakımı zorlaştırabilir, iletişim cihazlarının çalışmasını engelleyebilir ve ekran görüntü kalitesini bozabilir.

1. Güvenlik Önlemleri

1.2. Montajdan önce (yer değiştirme)

⚠ Dikkat:

- Ünitelerin taşınması veya kurulumu sırasında çok dikkatli olunmalıdır. 20 kg veya daha ağır olduğundan, bu cihazı taşımak için iki veya daha fazla kişi gerekir. Ambalaj bantlarından tutmayın. Üniteyi paketinden çıkarırken ve taşıırken koruyucu eldiven giymelidir; aksi takdirde kanatlar veya diğer parçaların kenarları ellerinizde yaralanmaya neden olabilir.
- Ambalaj maddelerinin güvenli şekilde atıldığından emin olun. Çivi veya başka metal veya tahta parçalar gibi ambalaj maddeleri batma veya başka şekillerde yaralanmalara yol açabilir.

- Dış ünitenin tabanı ve takılı parçalar gevşeme, çatlama ve diğer aksaklıklara karşı belirli aralıklarla kontrol edilmelidir. Bu gibi aksaklıklar düzeltilmeden bırakılırsa, cihaz düşebilir ve hasara veya yaralanmalara yol açabilir.
- Dış üniteyi suyla temizlemeyin. Elektik çarpması meydana gelebilir.
- Tork anahtarı kullanarak, bütün geçme somunları belirtilen değere kadar sıkın. Fazla sıkıldığı takdirde, geçme somun bir süre sonra kırılabilir ve soğutucu kaçağı meydana gelebilir.

1.3. Elektrik işlerinden önce

⚠ Dikkat:

- Devre kesicilerini taktığınızdan emin olun. Bunlar takılmadığı takdirde, elektrik çarpması meydana gelebilir.
- Elektrik tesisatında, yeterli kapasiteye sahip standart kablolar kullanın. Aksi takdirde, kısa devre, aşırı ısınma veya yangın meydana gelebilir.
- Elektrik tesisatını kurarken kabloları germeyin. Kablolar gevşedikleri takdirde kopabilir veya kırılabilir ve bunun sonucunda da aşırı ısınma veya yangına yol açabilir.

- Cihazın topraklandığından emin olun. Toprak hattını gaz veya su borularına, paratonerlere veya telefon toprak hatlarına bağlamayın. Cihaz doğru şekilde topraklanmadığı takdirde, elektrik çarpması meydana gelebilir.
- Belirtilen kapasiteye sahip devre kesicileri (toprak arıza kesici, izolasyon anahtarı (+B sigortası) ve kalıplı devre kesici) kullanın. Devre kesicinin kapasitesi belirtilenden fazla olduğu takdirde, arıza veya yangın meydana gelebilir.

1.4. Çalışma testinden önce (sadece klimalar için)

⚠ Dikkat:

- Cihazı çalıştırmadan en az 12 saat önce ana elektrik şalterini açın. Ana elektrik şalterini açtıktan hemen sonra cihazı çalıştırmak için parçaların ciddi hasar görmesine yol açabilir. Cihazın çalıştırılacağı mevsim boyunca ana elektrik şalterini açık bırakın.
- Çalıştırmaya başlamadan önce, bütün panellerin, muhafazaların ve diğer koruyucu parçaların doğru şekilde takılmış olduklarından emin olun. Dönen, sıcak veya yüksek voltajlı parçalar yaralanmalara yol açabilir.

- Hiçbir düğmeye ıslak elle dokunmayın. Elektik çarpması meydana gelebilir.
- Çalışma sırasında soğutucu borularına çıplak elle dokunmayın. Soğutucu boruları, akmakta olan soğutucunun durumuna göre soğuk veya sıcak olabilir. Borulara dokunulduğu takdirde yanma veya soğuk ısırması meydana gelebilir.
- Klimayı durdurduktan sonra, ana şalteri kapatmadan önce en az beş dakika bekleyin. Aksi takdirde, su kaçağı veya arıza meydana gelebilir.

1.5. R410A soğutuculu dış üniteyi kullanın

⚠ Dikkat:

- Soğutucu borularını bağlarken, bakır ve bakır alaşımli kaynaksız borular için C1220 bakır fosfor kullanın. Boruların iç yüzeylerinin temiz ve kükürtlü bileşikler, oksidantlar, moloz veya toz gibi zararlı maddelerden arınmış olduğundan emin olun. Belirtilmiş kalınlıkta borular kullanın. (4.1. 'e bakın) Önceden R22 soğutucusu taşımış olan mevcut boruları yeniden kullanırken şunlara dikkat edin:
 - Mevcut geçme somunları değiştirin ve kıvrımlı bölümleri tekrar geçirin.
 - İnce boru kullanmayın. (4.1. 'e bakın)
- Montajda kullanılacak olan boruları kapalı yerde saklayın ve boruların her iki ucunu da kaynak işleminden hemen öncesine kadar kapalı tutun. (Dirsek bağlantıları, vb.'yi ambalajlarında tutun.) Soğutucu hatlarına toz, moloz veya nem girdiği takdirde, yağ bozulabilir veya kompresör arızalanabilir.
- Geçmeli bölümlere uygulanacak soğutucu yağı olarak ester yağı, eter yağı, alkilbenzen yağı (az miktarda) kullanın. Soğutma yağına mineral yağ karışırsa, yağ bozulabilir.
- R410A soğutucusundan başka bir soğutucu kullanmayın. başka bir soğutucu kullanıldığı takdirde, klor yağın bozulmasına neden olacaktır.

- R410A soğutucu ile birlikte kullanılmak için özel olarak tasarlanmış aşağıdaki gereçleri kullanın: R410A soğutucuyu kullanmak için şu gereçler gereklidir: Herhangi bir sorunuz olduğu takdirde en yakın satıcıyla görüşün.

Gereçler (R410A için)	
Geyç manifoldu	Geçme aleti
Doldurma hortumu	Ebat ayarlama geyçi
Gaz sızıntı detektörü	Vakum pompa adaptörü
Tork anahtarı	Elektronik soğutucu dolun tartısı

- Doğru gereçleri kullandığınızdan emin olun. Soğutucu hatlarına toz, moloz veya nem girdiği takdirde, soğutma yağı bozulabilir.
- Doldurma silindiri kullanmayın. Doldurma silindiri kullanılırsa, soğutucunun bileşimi değişecek ve verimi düşecektir.

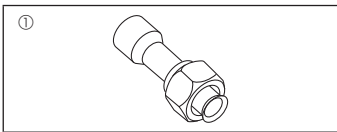


Fig. 1-1

1.6. Dış ünite aksesuarları (Fig. 1-1) (SHW230)

Solda görülen parçalar, ünitenin servis panelinin iç tarafına yerleştirilmiş aksesuarlardır.

- ① Bağlantı borusu.....x1

2. Montaj yeri

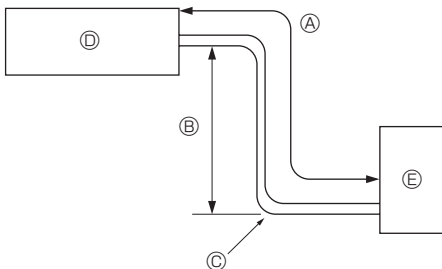


Fig. 2-1

2.1. Soğutucu boruları (Fig. 2-1)

- İç ve dış ünitelerin yükseklikleri arasındaki farkın, soğutucu borularının uzunluğunun ve borulardaki büküm sayısının aşağıda gösterilen sınırlar içinde olup olmadığını kontrol ediniz.

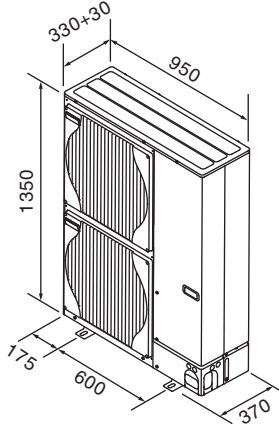
Modeller	① Boruların uzunluğu (tek yönde)	② Yükseklik farkı	③ Büküm sayısı (tek yönde)
SHW80, 112, 140	2 m - 75 m	Maks. 30 m	Maks. 15
SHW230	2 m - 80 m	Maks. 30 m	Maks. 15

- Yükseklik farkı sınırlaması, iç ya da dış ünitenin hangisinin daha yüksek konumda olduğuna bakmaksızın tanımlanır.

- ① İç ünite
- ② Dış ünite

2. Montaj yeri

■ SHW80, 112, 140



■ SHW230

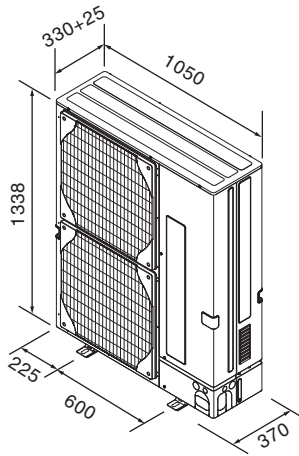


Fig. 2-2

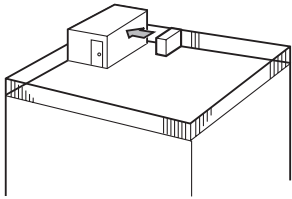


Fig. 2-3

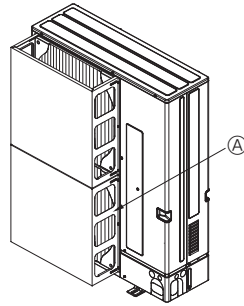


Fig. 2-4

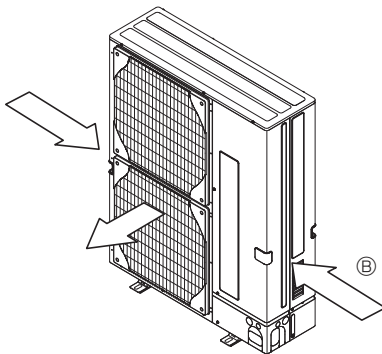


Fig. 2-5

2.2. Dış ünitenin montaj yerinin seçimi

- Doğrudan güneş ışığına veya diğer ısı kaynaklarına maruz kalan yerlerden kaçınınız.
- Cihaz tarafından yayılan sesin komşuları rahatsız etmeyeceği bir yer seçiniz.
- Elektrik kaynağına ve iç üniteye kolay şekilde kablo tesisatı ve boru döşemeye elverişli bir yer seçiniz.
- Yanıcı gazların sızıntı yaratabileceği, meydana gelebileceği, akabileceği veya birikebileceği yerlerden kaçınınız.
- Çalışma sırasında cihazdan su akabileceğini unutmayınız.
- Cihazın ağırlığını ve titreşimini kaldırabilecek düz bir yer seçiniz.
- Cihazın karla kaplanabileceği yerlerden kaçınınız. Şiddetli kar yağışının beklendiği yerlerde, karın hava girişini tıkamasını veya tam karşısından yağmasını engellemek için montaj konumunu yükseltmek veya hava girişine bir kapak takmak gibi özel tedbirler alınmalıdır. Bu yapılmadığı takdirde hava akışı azalabilir ve arıza çıkabilir.
- Yağ, buhar veya kükürtlü gazlara maruz kalan yerlerden kaçınınız.
- Cihazı taşıırken, dış üniteye yer alan taşıma kollarını kullanınız. Cihaz alttan taşındığı takdirde eller veya parmaklar sıkışabilir.

2.3. Dış ölçüler (Dış ünite) (Fig. 2-2)

2.4. Havalandırma ve bakım alanı

2.4.1. Rüzgarlı yerlerde montaj

Dış üniteyi çatı üstüne veya rüzgara karşı korunaksız başka bir yere monte ederken, cihazı, hava çıkışı doğrudan rüzgara karşı gelmeyecek şekilde yerleştiriniz. Hava çıkışından girecek güçlü rüzgar normal hava akışını aksatabilir ve arızaya yol açabilir. Güçlü rüzgarlara karşı alınabilecek üç önlem şunlardır:

- ① Hava çıkışını, en yakındaki duvara doğru, duvardan yaklaşık 50 cm uzaklıkta olacak şekilde yerleştiriniz. (Fig. 2-3)
- ② Ünite, tayfun ve başka nedenlerden oluşan güçlü rüzgarların doğrudan hava çıkışına girebileceği bir yere monte edilmişse, isteğe bağlı olarak sağlanan bir hava kılavuzu monte edin. (Fig. 2-4)
 - Ⓐ Hava koruma kılavuzu
- ③ Cihazın konumunu, mümkünse, hava çıkışından gelen havanın, mevsimsel rüzgarlarının yönüne dik gelmesini sağlayacak şekilde seçiniz. (Fig. 2-5)
 - Ⓑ Rüzgarın yönü

2.4.2. Tek bir dış ünite monte ederken (Son sayfaya bakınız)

Minimum ölçüler, Maksimum boyutlar anlamına gelen Max'te belirtilenler dışında, şöyledir.

Her durumda şemalara başvurun.

- ① Yalnızca arkadaki engeller (Fig. 2-6)
- ② Yalnızca arkadaki ve üstteki engeller (Fig. 2-7)
- ③ Yalnızca arkadaki ve yandaki engeller (Fig. 2-8)
- ④ Yalnızca öndeki engeller (Fig. 2-9)
 - * İsteğe bağlı çıkış kılavuzu kullanırken boşluk 500 mm veya üzerinde olmalıdır.
- ⑤ Yalnızca öndeki ve arkadaki engeller (Fig. 2-10)
 - * İsteğe bağlı çıkış kılavuzu kullanırken boşluk 500 mm veya üzerinde olmalıdır.
- ⑥ Yalnızca arkadaki, yandaki ve üstteki engeller (Fig. 2-11)
 - * İsteğe bağlı hava çıkış kılavuzlarını yukarı yöndeki hava akışı için kullanmayın.

2.4.3. Birden fazla dış ünite monte ederken (Son sayfaya bakınız)

Üniteler arasında 10 mm ve üzerinde bir boşluk bırakınız.

- ① Yalnızca arkadaki engeller (Fig. 2-12)
- ② Yalnızca arkadaki ve üstteki engeller (Fig. 2-13)
 - * Yan yana en fazla üç ünite yerleştirilmelidir. Ayrıca, aralarında gösterildiği şekilde boşluk bırakılmalıdır.
 - * İsteğe bağlı hava çıkış kılavuzlarını yukarı yöndeki hava akışı için kullanmayın.
- ③ Yalnızca öndeki engeller (Fig. 2-14)
 - * İsteğe bağlı çıkış kılavuzu kullanırken boşluk 1000 mm veya üzerinde olmalıdır.
- ④ Yalnızca öndeki ve arkadaki engeller (Fig. 2-15)
 - * İsteğe bağlı çıkış kılavuzu kullanırken boşluk 1000 mm veya üzerinde olmalıdır.
- ⑤ Tekli paralel ünite düzeni (Fig. 2-16)
 - * Yukarı yöndeki hava akışı için isteğe bağlı hava çıkış kılavuzu kullanırken, açıklık 1000 mm veya daha fazla olmalıdır.
- ⑥ Çoklu paralel ünite düzeni (Fig. 2-17)
 - * Yukarı yöndeki hava akışı için isteğe bağlı hava çıkış kılavuzu kullanırken, açıklık 1500 mm veya daha fazla olmalıdır.
- ⑦ İstifli ünite düzeni (Fig. 2-18)
 - * Üniteler üst üste en fazla iki üniteye kadar istiflenebilir.
 - * Yan yana en fazla iki ünite istifli şekilde yerleştirilmelidir. Ayrıca, aralarında şekildedeki gibi boşluk bırakılmalıdır.

3. Dış ünitenin monte edilmesi

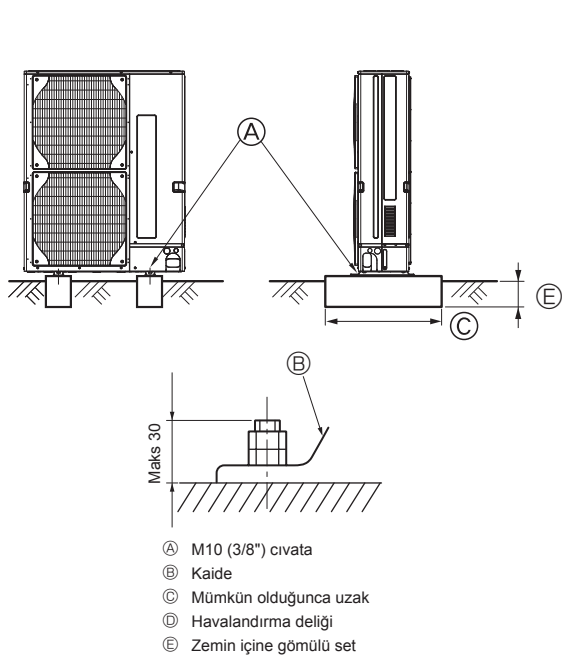


Fig. 3-1

4. Soğutucu borularının monte edilmesi

4.1. R410A soğutucu kullanan cihazlarda alınacak önlemler

- Dış ünitenin R410A soğutucusu ile kullanımına ilişkin aşağıda verilmeyen önlemler için 1.5. kısma bakın.
 - Geçmeli bölümlere uygulanacak soğutucu yağı olarak ester yağı, eter yağı, alkilbenzen yağı (az miktarda) kullanın.
 - Soğutucu borularını bağlarken, bakır ve bakır alaşımı kaynaksız borular için C1220 bakır fosfor kullanın. Aşağıdaki tabloda belirtilmiş kalınlıkta soğutucu boruları kullanın. Boruların iç yüzeylerinin temiz ve kükürlü bileşikler, oksidantlar, moloz veya toz gibi zararlı maddelerden arınmış olduğundan emin olun.
- Boruları lehimlerken daima oksitlenmeyen lehim kullanın, aksi takdirde, kompresör zarar görür.

⚠ Uyarı:

Dış üniteyi monte ederken, yerini değiştirirken ya da bakım yaparken, soğutucu hatlarını doldurmak için sadece belirtilen soğutucuyu (R410A) kullanın. Bu soğutucuyu diğer soğutucularla karıştırmayın ve hatlarda hava kalmamasını sağlayın.

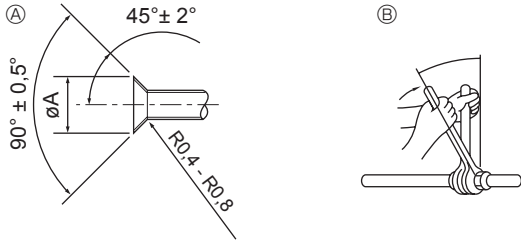
Havanın soğutucuyla karışması, soğutucu hattında anormal bir basınç oluşmasına neden olabilir ve bu da patlamaya veya diğer tehlikelerin ortaya çıkmasına neden olabilir.

Sistem için belirtilenden farklı bir soğutucunun kullanılması mekanik arızaya, sistemin bozulmasına veya ünitenin arızalanmasına neden olabilir. Bu durum, en kötü ihtimalde ürün güvenliğinin sağlanması açısından bir engel ortaya çıkarabilir.

Boru ebadı (mm)	ø6,35	ø9,52	ø12,7	ø15,88	ø19,05	ø22,2	ø25,4	ø28,58
Kalınlık (mm)	0,8	0,8	0,8	1,0	1,0	1,0	1,0	1,0

- Yukarıda belirtilenlerden daha ince boru kullanmayın.
- Çap 19,05 mm ya da daha büyükse 1/2 H ya da H borular kullanın.

4. Soğutucu borularının monte edilmesi



- (A) Geçme kesim ölçüleri
(B) Geçme somun sıkıştırma torqu

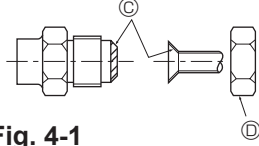


Fig. 4-1

(A) (Fig. 4-1)

Bakır boru O.D. (mm)	Geçme boyutları ϕA boyutları (mm)
$\phi 6,35$	8,7 - 9,1
$\phi 9,52$	12,8 - 13,2
$\phi 12,7$	16,2 - 16,6
$\phi 15,88$	19,3 - 19,7
$\phi 19,05$	23,6 - 24,0

(B) (Fig. 4-1)

Bakır boru O.D. (mm)	Geçme somun O.D. (mm)	Sıkıştırma torqu (N·m)
$\phi 6,35$	17	14 - 18
$\phi 6,35$	22	34 - 42
$\phi 9,52$	22	34 - 42
$\phi 12,7$	26	49 - 61
$\phi 12,7$	29	68 - 82
$\phi 15,88$	29	68 - 82
$\phi 15,88$	36	100 - 120
$\phi 19,05$	36	100 - 120

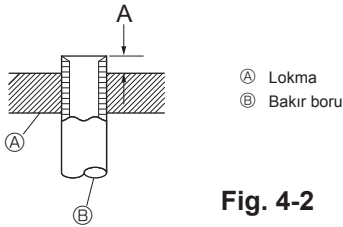
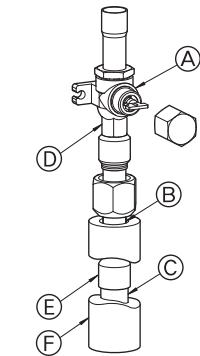
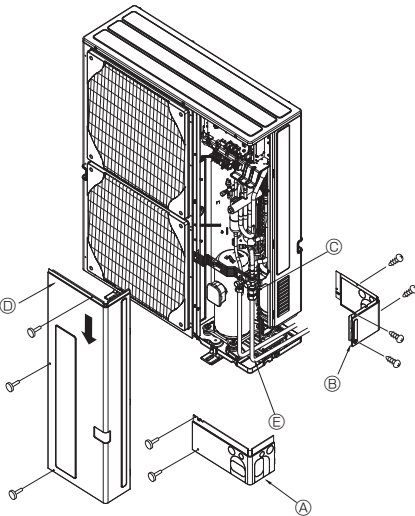


Fig. 4-2



- (A) Kapama vanası
(B) Conta bölümü
(C) İç boru
(D) Çift gergi kısmı
(E) Bağlantı borusu
(F) Boru kapağı

Fig. 4-3



- (A) Ön boru kapağı
(B) Boru kapağı
(C) Stop valfi
(D) Bakım paneli
(E) Şerit yarı çapı: 100 mm-150 mm

Fig. 4-4

4.2. Boruların bağlanması (Fig. 4-1)

- Piyasada satılan bakır borular kullanıldığında, sıvı ve gaz borularını piyasada satılan yalıtım malzemeleriyle sarın (en az 100°C sıcaklığa dayanıklı olmalı veya en az 12 mm kalınlığında olmalıdır).
- Gaz ve sıvı soğutucu borulara ayrı olarak termal yalıtım yapılmalıdır.
- Drenaj borusunun bina içindeki aksını polietilen köpük yalıtım malzemeleriyle sarılmalıdır (ölgül ağırlığı 0,03 olmalı, kalınlığı en az 9 mm olmalıdır).
- Geçme somunu sıkmadan önce boru ve conta bağlantı yüzeylerine ince bir tabaka halinde soğutucu yağı uygulayınız. (A)
- Boru bağlantılarını 2 somun anahtarıyla sıkınız. (B)
- Boru bağlantılarının yapılmasından sonra, bir kaçak dedektörü veya biraz sabunlu suyla gaz kaçağı olup olmadığını muayene ediniz.
- Bütün geçme yatağı üzerine soğutucu makine yağı sürünüz. (C)
- Aşağıdaki boru büyüklüklerine uygun geçme somun kullanın. (D)

		SHW80, 112, 140	SHW230
Gaz tarafı	Boru büyüklüğü (mm)	$\phi 15,88$	$\phi 25,4$
Sıvı tarafı	Boru büyüklüğü (mm)	$\phi 9,52$	$\phi 12,7$

- Boruları bükerken kırmamaya dikkat edin. 100 mm ila 150 mm arasındaki bükme çapları yeterlidir.
- Boruların kompresöre değmemesine özen gösterin. Aksi takdirde anormal gürültü veya titreşim meydana gelebilir.
- Borular iç üniteden başlayarak döşenmelidir. Geçme somunlar tork anahtarı ile sıkılmalıdır.
- Sıvı borularını ve gaz borularını geçirin ve ince bir tabaka halinde soğutucu yağı sürünüz (Yerinde uygulayınız).
- Normal boru contası kullanıldığında, R410A soğutma borularının geçme işlemleri için Tablo 1'e başvurun.
- A ölçülerini doğrulamak için ebat ayarlama geyiği kullanılabilir.

Tablo 1 (Fig. 4-2)

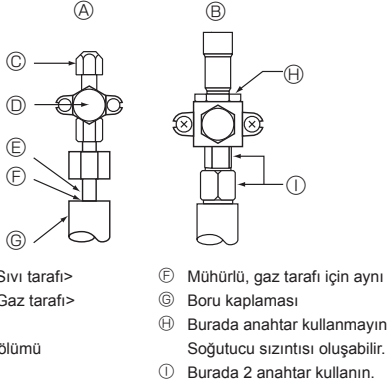
Bakır boru O.D. (mm)	A (mm)	
	R410A için geçme aleti	R22+R407C için geçme aleti
	Kavrama tipi	
$\phi 6,35$ (1/4")	0 - 0,5	1,0 - 1,5
$\phi 9,52$ (3/8")	0 - 0,5	1,0 - 1,5
$\phi 12,7$ (1/2")	0 - 0,5	1,0 - 1,5
$\phi 15,88$ (5/8")	0 - 0,5	1,0 - 1,5
$\phi 19,05$ (3/4")	0 - 0,5	1,0 - 1,5

- Gaz boruları bağlantısı için aşağıdaki yöntemi kullanın. (Fig. 4-3) (SHW230)
- Birlikte verilen Bağlantı borusunu (E), yakınızdaki bir yerden satın alabileceğiniz lehim malzemelerini ve oksijen içermeyen iç boruyu (C) kullanarak dış üniteye lehimleyin.
- Bağlantı borusunu (E) gaz tarafındaki Kapama vanasına takın. Geçme somunları, iki somun anahtarı kullanarak sıkın.
- * İşlemler ters sırayla uygulanırsa, lehimleme sırasındaki ateşten zarar gören parça nedeniyle soğutucu kaçağı meydana gelir.

4.3. Soğutucu boruları (Fig. 4-4)

- Bakım panelini (D) (3 vida) ve ön boru kapağını (A) (2 vida) ve arka boru kapağını (B) (2 vida: SHW80 - 140) (4 vida: SHW230) çıkarın.
- Dış ünitenin stop valfi tamamen kapandığında iç/dış ünite için soğutucu boru bağlantılarını yapın.
- İç ünite ve bağlantı borusundaki havayı vakumla boşaltın.
- Soğutucu borularını bağladıktan sonra, döşemiş boruları ve iç üniteye gaz kaçağına karşı kontrol edin. (4.4. Soğutucu borusu hava sızdırmazlığı test yöntemi bakın.)
- 101 kPa (5 Torr) ulaşıldıktan sonra yeteri bir süre boyunca (en az bir saat) vakum oluşturarak boruların için vakumla kurutmak için stop valfi servis portunda yüksek-performanslı bir vakum pompası kullanılmıştır. Her zaman geyç manifoldunda vakum derecesini kontrol edin. Eğer burada herhangi bir nem kaldıysa, kısa-süreli vakum uygulanmasıyla vakum derecesini bazen ulaşamaz.
- Vakumla kurutmadan sonra, dış ünite için stop valfini (hem sıvı hem de gaz) tamamen açınız. Bu, iç ve dış soğutma devrelerini tamamen birbirine bağlar.
- Eğer vakumla kurutma yetersiz ise, soğutma devrelerinde kalan hava ve su buharı yüksek basıncın anormal yükselmesine, düşük basıncın anormal düşmesine, nemden dolayı dondurucu yağının bozulmasına vs. neden olabilir.
- Kesme vanaları kapalı bırakılır ve cihaz çalıştırılırsa, kompresör ve çek valf zarar görür.
- Dış ünitenin boru bağlantı yerlerinde kaçak dedektörü veya sabunlu su kullanarak gaz kaçağı kontrolü yapın.
- Soğutucu hatlarındaki havayı boşaltmak için cihazdan gelen soğutucuyu kullanmayın.
- Vana işlemi tamamlandıktan sonra, vana kapaklarını sıkarak torqu düzeltin: 20 ila 25 N·m (200 ila 250 kgf·cm) arası. Kapakların yerine konmaması veya sıkıştırılmaması durumunda soğutucu kaçağı meydana gelebilir. Ayrıca, soğutucu kaçağına karşı conta görevi gördüklerinden, vana kapaklarının iç taraflarına zarar vermeye dikkat edin.
- Isı izolasyonuna su girmesini önlemek için, boru bağlantı yerlerinin etrafındaki ısı izolasyonunun uçlarını dolgu macunu ile sızdırmaz hale getirin.

4. Soğutucu borularının monte edilmesi



- A** Kapama vanası <Sıvı tarafı>
B Kapama vanası <Gaz tarafı>
C Servis ağızı
D Açma / Kapama bölümü
E İç boru
F Mühürlü, gaz tarafı için aynı
G Boru kaplaması
H Burada anahtar kullanmayın.
I Soğutucu sızıntısı oluşabilir.
J Burada 2 anahtar kullanın.

Fig. 4-5

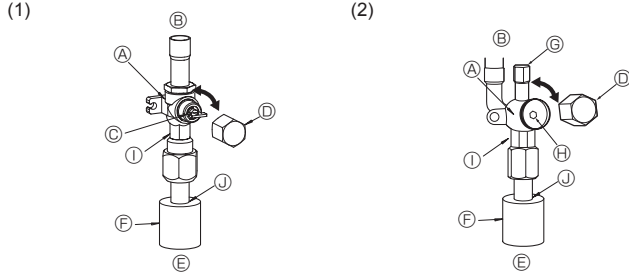
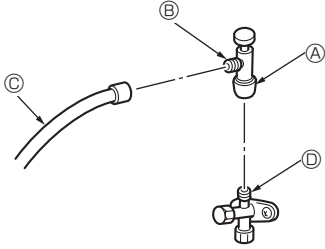


Fig. 4-6

Fig. 4-7

- A** Vana
B Ünite tarafı
C Kol
D Kapak
E İç boru tarafı
F Boru kapağı
G Servis ağızı
H Anahtar boşluğu
I Çift gergi kısmı
 (Bu kısım bundan başka bir gergi uygulamasının. Çünkü uygulanması halinde soğutucu kaçıklarına neden olur.)
J Sızdırmazlık kısmı
 (Isı izolasyon malzemesinin ucunun sızdırmazlığını elinizde olan herhangi bir sızdırmazlık malzemesi ile boru bağlantısı kısmında sağlayın ki ısı izolasyon malzemesine su girmesin.)



- C** Doldurma hortumu
D Servis portu
A Sol taraftaki şekil yalnızca örnektir. Stop valfinin şekli, servis portu konumu vb. modele bağlı olarak değişiklik gösterebilir.
B Yalnızca **A** bölümünü döndürün. (**A** ve **B** bölümlerini daha fazla bir arada sıkımayın.)

Fig. 4-8

4.4. Soğutucu borusu hava sızdırmazlığı test yöntemi (Fig. 4-5)

- Test araçlarını bağlayın.
 - A** **B** kapama vanalarının kapalı olduğundan emin olun ve açmayın.
 - Sıvı kapama vanasının **A** servis noktasından **C** soğutucu hatlarına basınç ekleyin.
- Belirtilen değerde basıncı birden eklemeyin, azar azar verin.
 - 0,5 MPa'a (5 kgf/cm²G) kadar basınç verin, beş dakika bekleyin ve basıncın düşmediğinden emin olun.
 - 1,5 MPa'a (15 kgf/cm²G) kadar basınç verin, beş dakika bekleyin ve basıncın düşmediğinden emin olun.
 - 4,15 MPa'a (41,5 kgf/cm²G) kadar basınç verin ve çevre sıcaklığını ve soğutucu basıncını ölçün.
- Belirtilen değerdeki basınç bir gün süreyle sabit kalır ve düşmezse, borular testi geçmiş ve kaçak yok demektir.
 - Çevre sıcaklığı 1°C değişirse, basınç yaklaşık 0,01 MPa (0,1 kgf/cm²G) değişir. Gereкли düzeltmeleri yapın.
- Basınç (2) ve (3) adımda düşerse, gaz kaçağı var demektir. Gaz kaçağının kaynağını araştırın.

4.5. Kapama vanasını açma yöntemi

Stop valfi açma metodu dış ünite modeline göre değişir. Stop valfleri açmak için uygun olan metodu kullanın.

- Gaz tarafı (Fig. 4-6)
 - Kapağı çıkarın, kolu kendinize doğru çekip saat yönünün tersine 1/4 devir çevirerek açın.
 - Stop valfinin tamamen açık olduğundan emin olun, kolu içeri itin ve başlığı çevirerek tekrar ilk konumuna getirin.
- Sıvı tarafı (Fig. 4-7)
 - Başlığı çıkarın ve 4 mm'lik bir altıgen somun anahtarıyla vana çubuğunu gi debileceği yere kadar saat yönünün tersine döndürün. Tampona dayanınca döndürmeye son verin. (ø9,52: Yaklaşık 10 devir)
 - Stop valfinin tamamen açık olduğundan emin olun, kolu içeri itin ve başlığı çevirerek tekrar ilk konumuna getirin.

Soğutucu boruları koruyucu bir şekilde sarırlırlar

- Borular, bağlanmadan önce veya bağlandıktan sonra koruma amacıyla ø90'lık bir çapa ulaşacak şekilde sarırlırlar. Boru kaplamasındaki parçayı yarıktan itibaren kesip atın ve boruları sarın.
- Boru giriş boşluğu
 - Boru girişindeki boruların etrafını macunla veya sızdırmaz madde ile hiç boşluk kalmayacak şekilde kapatın.
 - (Boşluklar kapatılmadığı takdirde, gürültü yayılır veya cihaza toz veya su girerek bozulmasına neden olabilir.)

Doldurma valfi kullanılırken alınması gereken önlemler (Fig. 4-8)

Servis portunu takarken çok fazla sıkmayın aksi takdirde, valf gövdesi deforme olabilir, gevşeyebilir ve gaz sızıntısına neden olur.

- B** bölümünü belirtilen yönde konumlandırdıktan sonra yalnızca **A** bölümünü döndürün ve sıkın.
- A** bölümünün sıkıktan sonra **A** ve **B** bölümünün bir arada daha fazla sıkımayın.

Uyarı:

Ünitenin montajını yaparken, kompresörü çalıştırmadan önce soğutucu borularını sağlam şekilde bağlayın.

4.6. Soğutucu madde eklenmesi

- Boru uzunluğu 30 m'yi geçmiyorsa, cihaza ilave doldurma yapmak gerekmez.
- Boru uzunluğu 30 m'den fazla ise, aşağıdaki tabloda yer alan izin verilen boru uzunluklarına göre ilave R410A soğutucu ekleyin.

- * Cihaz çalışmazken, boru uzatmaları ve iç ünite vakumlandıktan sonra, sıvı kesme vanasından cihaza soğutucu ilavesi yapın.
Cihaz çalışırken, güvenli dolun cihazı kullanarak gaz çek valfine soğutucu ekleyin. Sıvı soğutucuyu doğrudan çek valfe eklemeyin.

- * Cihaza soğutucu ekledikten sonra, eklenen soğutucu miktarını servis etiketine (cihaza tutturulmuş olan) yazın.
Daha fazla bilgi için, "1.5. R410A soğutuculu dış üniteyi kullanın" na bakın.

- Birden fazla üniteyi monte ederken dikkatli olun. Hatalı bir iç ünitenin bağlanması anormal derecede yüksek basınçların oluşmasına yol açarak çalışma performansında ciddi etkiler yaratabilir.

Modeller	İzin verilen boru uzunluğu	İzin verilen dikey fark	İlk soğutucu madde doldurma miktarı	İlave soğutucu dolun miktarı			
				31 - 40 m	41 - 50 m	51 - 60 m	61 - 75 m
SHW80, 112, 140	2 m - 75 m	Maks. 30 m	5,5 kg	0,6 kg	1,2 kg	1,8 kg	2,4 kg

Modeller	İzin verilen boru uzunluğu	İzin verilen dikey fark	İlk soğutucu madde doldurma miktarı	Kullanım yöntemi	Sıvı borusu boyutu	İlave soğutucu dolun miktarı					
						21 - 30 m	31 - 40 m	41 - 50 m	51 - 60 m	61 - 70 m	71 - 80 m
SHW230	2 m - 80 m ^{*1}	Maks. 30 m	7,1 kg	ATW	ø 12,7	-	1,4 kg	2,8 kg	4,2 kg	5,6 kg	7,0 kg
					ø 9,52	-	-	0,8 kg	1,7 kg	2,6 kg	3,5 kg
					ø 12,7	1,4 kg	2,8 kg	4,2 kg	5,6 kg	7,0 kg	8,4 kg
					ø 9,52	-	0,8 kg	1,7 kg	2,6 kg	3,5 kg	4,4 kg

*1. Boru uzunluğu 10 m veya daha kısa olduğunda kontrol panosu SW8-2'yi ON (AÇIK) konuma getirin (SHW230YKA2R2 veya sonrası).

4. Soğutucu borularının monte edilmesi

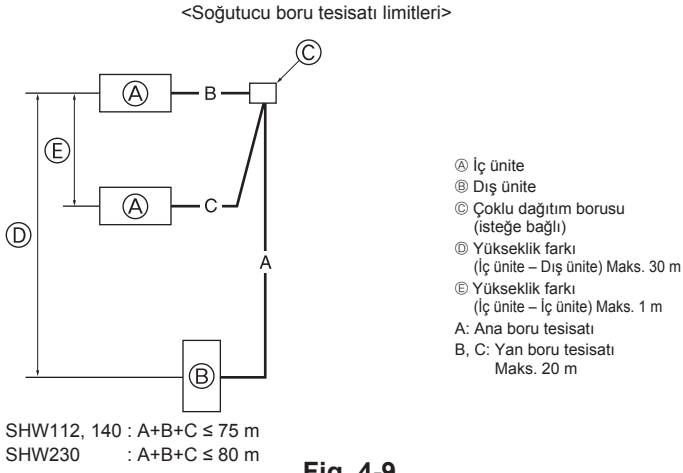


Fig. 4-9

4.7. Çiftli/üçlü/dörtlü kombinasyon için (Fig. 4-9) (sadece klimalar için)

- Bu SERBEST KOMPOZİSYONLU ÇOKLU ünite olarak kullanıldığında, soğutma boru tesisatını soldaki çizimde belirtilmiş olan kısıtlamaları dikkate alarak monte edin. Ayrıca, eğer kısıtlamalar aşılabarsa veya iç ve dış ünitelerin kombinasyonları olarsa, montaj hakkında ayrıntılı bilgi için iç ünitenin montaj talimatlarına başvurun.

Dış ünite	İzin verilen toplam boru uzunluğu A+B+C	Dolumsuz boru uzunluğu A+B+C
SHW112, 140	75 m veya daha az	30 m veya daha az
SHW230	80 m veya daha az	30 m veya daha az

Dış ünite	B-C	Kıvrım sayısı
SHW112, 140, 230	8 m veya daha az	En fazla 15

5. Drenaj Tesisatı İşleri

Dış ünite drenaj borusu bağlantısı

PUHZ-SHW serisi soğuk bölge spesifikasyonu nedeniyle bir drenaj borusuna bağlanamaz.

6. Su borularındaki işler (Sadece Havadan Suya Isı Pompası için)

Minimum su miktarı

Su devresinde aşağıdaki su miktarı gereklidir.

Model	Minimum su miktarı (L)
SHW80	34
SHW112	48
SHW140	60
SHW230	99

Üniteyi soğutma modunda düşük ortam sıcaklığında çalıştırırken donma koruması önemi aldığınızdan emin olun (0°C altında).

7. Elektrik işleri

7.1. Dış ünite (Fig. 7-1, Fig. 7-2)

- Servis panelini sökün.
- Fig. 7-1 ve Fig. 7-2'ye bakarak kabloları bağlayın.

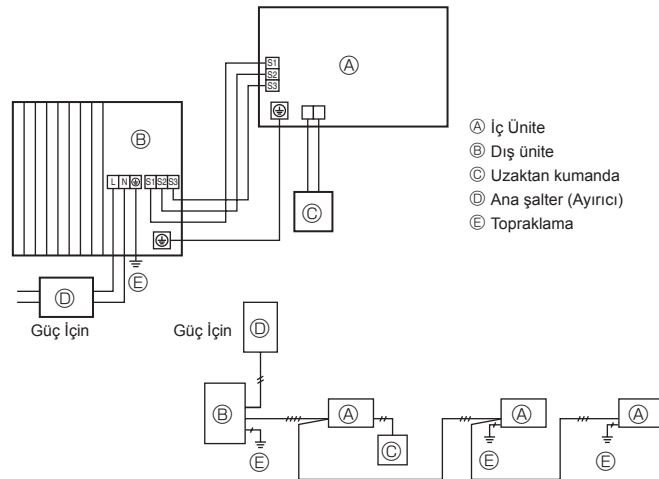


Fig. 7-1

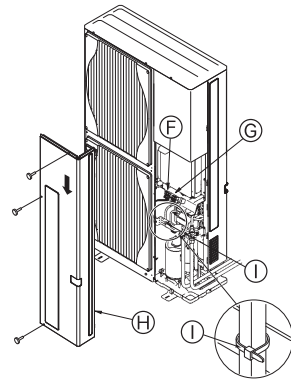
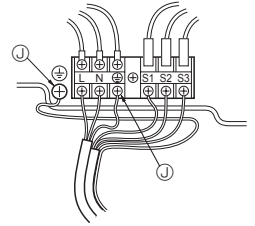
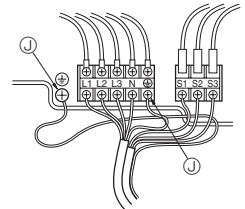


Fig. 7-2

■ SHW80, 112V



■ SHW112 - 230V



- Ⓔ Terminal blok
- Ⓕ İç/dış bağlantı terminal bloğu (S1, S2, S3)
- Ⓖ Servis paneli
- Ⓗ Kelepçe
- Ⓙ Toprak bağlantısı
- * Kabloları servis panosunun ortasına ya da gaz valfine temas etmeyecek şekilde kelepçele bağlayın.

Not: Elektrik kutusunun koruyucu kılıfı servis sırasında çıkartılmışsa, geri takıldığından emin olun.

⚠ Dikkat:

N Hattını bağladığınızdan emin olun. N Hattı olmazsa, üniteye hasara yol açar.

7. Elektrik işleri

7.2. Alan elektrik kablo bağlantıları

Dış ünite modeli	SHW80V	SHW112V	SHW112, 140Y	SHW230Y
Dış ünite güç kaynağı	~N (Tek), 50 Hz, 230 V	~N (Tek), 50 Hz, 230 V	3N~ (3 faz 4-telli), 50 Hz, 400 V	3N~ (3 faz 4-telli), 50 Hz, 400 V
Dış Ünite giriş kapasitesi Ana şalter (Ayrırcı)	*1 32 A	40 A	16 A	25 A
Kablo bağlantıları Kablo No. x Çap (mm ²)	Dış ünite güç kaynağı	3 x Min. 4	3 x Min. 6	5 x Min. 1,5
	İç ünite-Dış ünite	*2 3 x 1,5 (Kutup)	3 x 1,5 (Kutup)	3 x 1,5 (Kutup)
	İç ünite-Dış ünite topraklaması	*2 1 x Min. 1,5	1 x Min. 1,5	1 x Min. 1,5
	Uzaktan kumanda ünitesi/İç ünite Bağlantı	*3 2 x 0,3 (Kutupsuz)	2 x 0,3 (Kutupsuz)	2 x 0,3 (Kutupsuz)
Devrenin rejim değeri	Dış ünite L-N (Tek)	230 VAC	230 VAC	230 VAC
	Dış ünite L1-N, L2-N, L3-N (3 faz)	230 VAC	230 VAC	230 VAC
	İç ünite-Dış ünite S1-S2	230 VAC	230 VAC	230 VAC
	İç ünite-Dış ünite S2-S3	24 VDC	24 VDC	24 VDC
Uzaktan kumanda ünitesi/İç ünite Bağlantı	*4 12 VDC	12 VDC	12 VDC	12 VDC

- *1. Her kuptandan en az 3,0 mm temas aralığı bırakarak, topraklama devre kesicisi (NV) kullanın. Akım kaçacağı devre kesicisinin yüksek harmoniklerle uyumlu olduğundan emin olun. Bu ünite bir redresörlü donatıldığı için daima yüksek harmoniklerle uyumlu bir akım kaçacağı devre kesicisi kullanın. Uyumsuz bir devre kesicinin kullanılması, dönüştürücünün (inverter) yanlış çalışmasına neden olabilir.

- *2. (SHW80 - 140)

Maks. 45 m

2,5 mm² kullanılırsa, Maks. 50 m

2,5 mm² kullanılırsa ve S3 ayrılırsa, Maks. 80 m

(SHW230)

Azami 80 m Toplam azami uzunluk, tüm iç / iç bağlantılar da dahil, 80 m.

• Şekilde gösterildiği gibi S1 ve S2 için bir kablo, S3 için ise başka bir kablo kullanın.

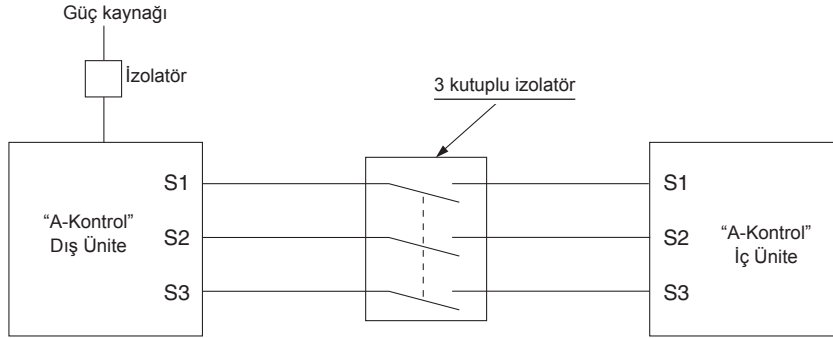
- *3. Uzaktan kumanda aksesuarına 10 m uzunluğunda kablo bağlanmıştır.

- *4. Rakamlar, her zaman toprağa karşı DEĞİLDİR.

S3 bağlantısı, S2 bağlantısının yanında 24 VDC gerilim kullanır. S3 ve S1 arasındaki bu bağlantılar, transformatör veya başka bir cihaz tarafından elektriksel olarak yalıtılmamıştır.



- Notlar:**
1. Kablo boyutu, ilgili yerel ve ulusal yönetmeliğe uygun olmalıdır.
 2. Elektrik besleme ve İç ünite/Dış ünite bağlantı kabloları polikloropren kılıflı esnek kablodan hafif olmalıdır (60245 IEC 57 tasarımı).
 3. Diğer kablolardan daha uzun bir topraklama kablosu kullanın. Bu sayede gerilim uygulandığında bağlantı kesilmeyecektir.



⚠ Uyarı:

- A-kumanda kablosu için güç hattı ile iletişim sinyal hattı arasında elektrik yalıtımı yapılmamış olan elektrik devresi dizaynından kaynaklanan S3 terminalinde yüksek gerilim riski bulunmaktadır. Dolayısıyla servis yaparken ana güç beslemeyi lütfen kapatın. Ve güç verildiğinde S1, S2, S3 terminallerine dokunmayın. İzolatörün iç ve dış üniteler arasında kullanılması halinde lütfen 3 kutuplu tipi kullanın.
- -20°C derecenin altındaki koşullarda, elektrikli parçaların ısınması için en az 12 saate bekleme durumunda çalışması gerekmektedir.

Güç kablosunu ya da iç-dış bağlantı kablosunu asla birbirine bağlamayın, aksi takdirde duman, yangın ya da iletişim hatasına neden olabilir.

İÇ-DİŞ BAĞLANTI KABLOSU (SHW230)

Kablonun ara kesiti	Kablo ebadı (mm ²)	Kablo sayısı	Polarite	L (m)*6
Yuvarlak	2,5	3	Saat yönünde : S1-S2-S3 * Sarı-yeşil çizgilere dikkat edin	(30) *2
Düz	2,5	3	Uygulanabilir değil (Çünkü orta kablodaki kaplama yok)	Uygulanabilir değil *5
Düz	1,5	4	Soldan sağa : S1-Açık-S2-S3	(18) *3
Yuvarlak	2,5	4	Saat yönünde : S1-S2-S3-Açık * S1 ve S3'ü ters açığa bağlayın	(30) *4

*1 : Cihazların elektrik kablosu kordonu tasarım 60245 IEC veya 227 IEC'den daha hafif olmayacaktır.

*2 : Sarı-yeşil çizgili kablo bulunabiliyorsa.

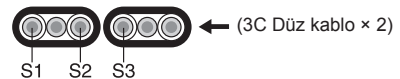
*3 : Normal polariteli bağlantı (S1-S2-S3) durumunda, kablo ebadı 1,5 mm² olmalıdır.

*4 : Normal polariteli bağlantı (S1-S2-S3) durumunda.

*5 : Bu resmideki gibi düz kablolar bağlandığında, 30 m'ye kadar kullanılabilirler.

*6 : Belirtilen kablo uzunluğu yalnızca referans değeridir.

Montaj şartları, nemlilik veya malzeme, vb.'ye bağlı olarak farklı olabilir.



İç-dış ünite bağlantı kablolarını doğrudan ünitelere bağladığınızdan emin olun (ara bağlantı yoktur).

Ara bağlantılar, kabloların su giriş topraklama yalıtımında yetersizliğe veya ara bağlantı noktasında temassızlığa neden olması halinde haberleşme hatalarına yol açabilir.

8. Çalışma testi (sadece klimalar için)

8.1. İşletme testinden önce

- ▶ İç ve dış ünitenin montajının ve kablo ve boru bağlantılarının tamamlanmasından sonra, soğutucu kaçağı, elektrik ve kontrol kablolarında gevşeme, hatalı polarite ve fazlardan birinde kopma olup olmadığına bakınız.
- ▶ 500-Voltluk bir megometreyle besleme kaynağı terminalleriyle toprak arasında en az 1 MΩ direnç bulunduğunu kontrol ediniz.
- ▶ Bu testi kontrol kablosu (düşük gerilim devresi) terminallerinde yapmayınız.

⚠ Uyarı:

Yalıtım direnci 1 MΩ'dan az ise dış üniteyi kullanmayın.

İzolasyon direnci

Montajdan veya cihaza giden elektrik kesildikten uzun süre sonra, kompresörde soğutucu birikmesi nedeniyle izolasyon direnci 1 MΩ un altında düşecektir. Bu arıza anlamına gelmez. Aşağıdaki prosedürleri izleyin.

1. Kabloları kompresörden çıkarın ve kompresörün izolasyon direncini ölçün.
2. İzolasyon direnci 1 MΩ un altında ise, kompresörde arıza vardır veya direnç kompresörde soğutucu birikmesi nedeniyle düşmüştür.
3. Kabloları kompresöre bağladıktan sonra, elektriğin verilmesinin ardından kompresör ısınmaya başlayacaktır. Aşağıda verilmiş olan sürelerde elektrik verdikten sonra izolasyon direncini tekrar ölçün.

- İzolasyon direnci, kompresörde soğutucu birikmesi nedeniyle düşmüştür. Kompresör 4 saat süreyle ısındıktan sonra direnç 1 MΩ un üstüne çıkacaktır. (Kompresörün ısınması için gereken süre atmosferik koşullara veya soğutucu birikmesine göre değişir.)
- Kompresörü içinde soğutucu birikmiş vaziyette çalıştırmak için, herhangi bir arıza meydana gelmesini önlemek amacıyla kompresörün en az 12 saat süreyle ısınması sağlanmalıdır.
- 4. İzolasyon direnci 1 MΩ un üstüne çıkarsa, kompresör arızalı değil demektir.

⚠ Dikkat:

- **Güç kaynağının faz bağlantısı doğru değilse kompresör çalışmaz.**
- **Cihazı çalıştırmadan en az 12 saat önce ana elektrik şalterini açınız.**
- Ana elektrik şalterini açtıktan hemen sonra cihazı çalıştırmak iç parçaların ciddi hasar görmesine yol açabilir. Cihazın çalıştırılacağı mevsimde ana elektrik şalterini açık bırakınız.
- ▶ **Aşağıdaki kontrollerin yapılması gerekir.**
- Dış ünite arızalı değil. Dış ünite arıza olduğunda, dış ünitenin kontrol panosu üzerinde bulunan LED1 ve LED2 yanıp söner.
- Hem gaz hem de sıvı kesme vanaları tamamen açık.
- Dış ünitenin kontrol panosu üzerindeki Dip düğme panelinin yüzeyi koruyucu bir örtü ile kaplıdır. Dip düğmeleriyle kolayca oynamak için koruyucu örtüyü kaldırın.

8.2. Çalışma testi

8.2.1. Dış ünite SW4 kullanarak

SW4-1	ON (AÇIK)	Soğutma operasyonu
SW4-2	OFF (KAPALI)	
SW4-1	ON (AÇIK)	Isıtma operasyonu
SW4-2	ON (AÇIK)	

- * Test çalıştırması yapıldıktan sonra, SW4-1 OFF (KAPALI)'a ayarlanmalıdır.
- Elektrik verildikten sonra, dış ünitenin içinden küçük bir tik-tak sesi gelebilir. Elektronik genleşme vanası açılıp kapanmaktadır. Ünite arızalı değildir.
- Kompresör çalışmaya başladıktan birkaç saniye sonra, dış ünitenin içinden bir gürültü gelebilir. Gürültü, borulardaki küçük basınç farklılıklarından dolayı çek valften gelmektedir. Ünite arızalı değildir.

Çalışma testi sırasında, çalışma testi modu Dip SW4-2 düğmesiyle değiştirilemez. (İşletim testi modunu çalışma testi sırasında değiştirmek için, Dip SW4-1 düğmesiyle çalışma testini durdurun. Çalışma testi modunu değiştirdikten sonra SW4-1 düğmesiyle çalışma testine devam edin.)

8.2.2. Uzaktan kumandayı kullanma

İç ünite montaj kılavuzuna bakın.

Not :

Genellikle, buz çözme işleminin neden olduğu buhar dış üniteden gelen duman görünebilir.

9. Özel fonksiyonlar

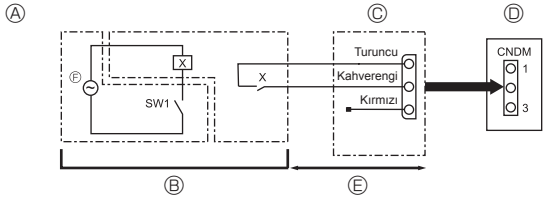


Fig. 9-1

- Ⓐ Devre şema örneği (düşük sesli mod) Ⓓ Dış ünite kontrol panosu
 Ⓑ Yerinde düzenleme Ⓔ Maks. 10 m
 Ⓒ Harici giriş adaptörü (PAC-SC36NA-E) Ⓕ Röle güç kaynağı
 X: Röle

9.1. Düşük sesli mod (yerinde değişiklik) (Fig. 9-1)

Aşağıdaki modifikasyonu gerçekleştirerek, dış ünitenin çalışma gürültüsü yaklaşık 3-4 dB düşürülebilir.

Dış ünitenin kontrol panosu üzerindeki CNDM konektörüne (isteğe bağlı) piyasada bulunan bir zamanlayıcı veya AÇMA/KAPAMA düğmesinin kontakt girişi eklendiği takdirde, düşük sesli mod devreye girecektir.

• Bu işlev dışarıdaki sıcaklık ve şartlara, vb. bağlı olarak değişir.

- Harici giriş adaptörü (PAC-SC36NA-E) kullanırken, devreyi gösterildiği şekilde tamamlayın. (Isteğe bağlı)
- SW1 ON konumunda iken: Düşük sesli mod
SW1 OFF konumunda iken: Normal çalışma

Not:

Dış ünite kontrol panosundaki Dip SW7-1 ve SW9-1 AÇIK iken, Dip SW7-1, SW9-1'i KAPALI konuma getirin. (Bu mod, istek fonksiyonu ile birlikte kullanılamaz.)

9.2. İstek fonksiyonu (yerinde değişiklik) (Fig. 9-2) (sadece klimalar için)

Aşağıdaki değişiklik yapılarak, enerji tüketimi normal tüketimin % 0 – %100 arasına düşürülebilir.

Dış ünitenin kontrol panosu üzerindeki CNDM konektörüne (isteğe bağlı) piyasada bulunan bir zamanlayıcı veya ON (AÇMA) / OFF (KAPAMA) düğmesinin kontakt girişi eklendiği takdirde, istek fonksiyonu devreye girecektir.

- Harici giriş adaptörü (PAC-SC36NA-E) kullanırken, devreyi gösterildiği şekilde tamamlayın. (Isteğe bağlı)
- Dış ünitenin kontrol panosu üzerindeki SW7-1'yi ayarlayarak, enerji tüketimi (normal tüketim ile kıyaslanınca) aşağıda gösterildiği gibi sınırlandırılabilir.

	SW7-1	SW2	SW3	Enerji tüketimi
İstek fonksiyonu	ON	OFF	OFF	100%
		ON	OFF	75%
		ON	ON	50%
		OFF	ON	0% (Durma)

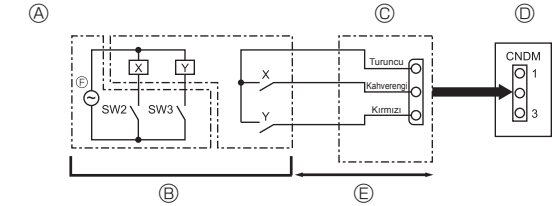


Fig. 9-2

- Ⓐ Devre şema örneği (İstek fonksiyonu) Ⓓ Dış ünite kontrol panosu
 Ⓑ Yerinde düzenleme Ⓔ Maks. 10 m
 Ⓒ Harici giriş adaptörü (PAC-SC36NA-E) Ⓕ Röle güç kaynağı
 X, Y: Röle

9.3. Soğutucu çekme işlemi (pompalama)

İç/dış üniteyi taşıırken ya da bertaraf ederken, herhangi bir soğutucunun atmosfere yayılmaması için, sistemi aşağıdaki prosedür uyarınca boşaltın.

- Güç kaynağını kapatın (devre kesici).
- Manometre manifoldundaki düşük basınç vanasını dış üniteye dolum tapasına (düşük basınç tarafı) takın.
- Sıvı kesme vanasını tamamen kapatın.
- Elektrik verin (devre kesici).
 - Elektrik verildiğinde uzaktan kumandanın ekranında "CENTRALLY CONTROLLED" yazmadığından emin olun. "CENTRALLY CONTROLLED" yazıyorsa, soğutucu çekme işlemi (pompalama) normal şekilde gerçekleştirilemez.
 - Güç (devre kesici) ON (Açık) konuma getirildikten sonra iç ve dış ünite iletişiminin başlaması yaklaşık 3 dakika sürer. Güç (devre kesici) ON (Açık) konuma getirildikten 3 - 4 dakika sonra aşağı pompalama işlemini başlatın.
- Soğutucu toplama işlemini gerçekleştirin (soğutma testi çalışması).
 - Dış ünitenin kontrol panosundaki pompalama SWP düğmesine (basmalı tip) basın. Kompresör ve vantilatörler (iç ve dış üniteler) çalışmaya başlar (soğutucu toplama işlemi başlar). (Dış ünitenin kontrol panosundaki LED1 ve LED2 yanar.)
 - Ünite durursa sadece pompalama SWP düğmesine basın. Ancak, ünite durdurulsa ve kompresör durduktan sonra 3 dakika geçmeden pompalama SWP düğmesine basılsa bile, soğutucu toplama işlemi başlatılamaz. Kompresörün 3 dakika durmasını bekleyin ve ardından pompalama SWP düğmesine yeniden basın.
- Manometre manifoldundaki basınç 0,05 ila 0 MPa [Manometre] (yakl. 0,5 ila 0 kgf/cm²) gösterdiğinde dış ünitenin gaz borusu tarafındaki bilyalı vanayı tam olarak kapatın ve dış üniteyi hemen durdurun.

- Pompalama SWP düğmesine yeniden basılırsa, ünite durdurulur.
- Soğutucu toplama işlemi tamamlandıktan sonra (LED1 kapalı, LED2 açık) ünite yaklaşık 3 dakika içinde otomatik olarak kapandığından gaz bilyalı vanayı vakit kaybetmeden kapattığınızdan emin olun. Eğer, LED1 yanıyor, LED2 kapalı ve ünite durdurulduysa, sıvı durdurma vanasını tam olarak açın ve 3 dakika ya da daha fazla süre bekledikten sonra vanayı tamamen kapatın, daha sonra ⑤ no'lu adımı tekrarlayın. (Gaz bilyalı vanayı tam olarak açın.)
- Soğutucu toplama işlemi düzgün şekilde tamamlandıysa (LED1 kapalı, LED2 açık), güç kesilene kadar ünite çalışmama durumunu korur.
- Uzatma borusu uzun ve soğutucu miktarı fazlaysa aşağı pompalama işlemi yapmak mümkün olmayabilir. Bu durumda, sistemdeki tüm soğutucuyu toplamak için soğutucu geri kazanım ekipmanını kullanın.
- Güç kaynağını kapatın (devre kesici), manometre manifoldunu çıkarın ve ardından soğutucu borularının bağlantısını kesin.

⚠ **Uyarı:**

Soğutucu pompalaması yaparken, soğutucu borularının bağlantısını kesmeden önce kompresörü durdurun.

- Kompresör çalışırken ve kesme valfi (bilyeli valf) açıkken soğutucu boruları bağlantısı kesilirse, içeri hava girmesi durumunda soğutma çevrimindeki basınç aşırı ölçüde yükselebilir ve bu da boruların patlamasına ve kişisel yaralanma vb. neden olabilir.

9.4 ZUBADAN hızlı enjeksiyon işlevi sıcaklığın ayarlanması

ZUBADAN hızlı enjeksiyon işlevi, düşük dış sıcaklıklarda yüksek bir ısıtma performansı sağlar.

- Dış ünitenin kontrol panosundaki SW9-3 ve SW9-4, sıcaklığın aşağıdaki tabloda da gösterildiği gibi ZUBADAN hızlı enjeksiyon işlevinde ayarlanmasını sağlar.

SW9-3	SW9-4	Dış sıcaklık
OFF	OFF	3°C veya daha az (Varsayılan ayar)
OFF	ON	0°C veya daha az
ON	OFF	-3°C veya daha az
ON	ON	-6°C veya daha az

10. Sistem kontrollü

10.1. Klimalar

- © SW 1 - 3 ila 6
- | | | | | | |
|-----|---|---|---|---|--|
| ON | | | | | |
| OFF | | | | | |
| | 3 | 4 | 5 | 6 | |
- © SW 1 - 3 ila 6
- | | | | | | |
|-----|---|---|---|---|--|
| ON | | | | | |
| OFF | | | | | |
| | 3 | 4 | 5 | 6 | |
- © SW 1 - 3 ila 6
- | | | | | | |
|-----|---|---|---|---|--|
| ON | | | | | |
| OFF | | | | | |
| | 3 | 4 | 5 | 6 | |
- (A) Dış ünite
 (B) İç ünite
 (C) Ana uzaktan kumanda
 (D) Tali uzaktan kumanda
 (E) Standart 1:1 (Soğutucu adresi = 00)
 (F) Aynı anda ikili (Soğutucu adresi = 01)
 (G) Aynı anda üçlü (Soğutucu adresi = 02)

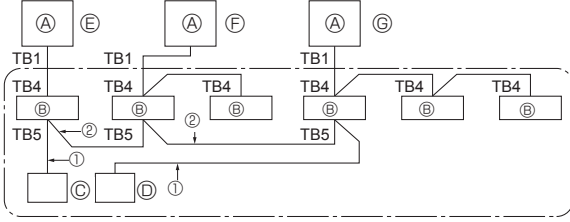


Fig. 10-1

* Dış ünitenin Dip şalteri ile soğutucu adresini ayarlayın.

① Uzaktan Kumandadan Gelen Kablo

Bu kablo, iç ünitenin (polarlanmamış) TB5'ine (uzaktan kumanda için terminal levhası) bağlanır.

② Farklı Soğutucu Sistemi Grubu Kullanıldığında ince.

MA uzaktan kumandası ile en fazla 16 soğutucu sistemi tek bir grup olarak kontrol edilebilir.

Not:

Tek soğutuculu sistemlerde (çift/üçlü) kablo bağlantısına ② gerek yoktur.

SW1
Fonksiyon
tablosu
<SW1>

ON	□□□□□□
OFF	■ ■ ■ ■ ■ ■
	1 2 3 4 5 6

	Fonksiyon	Anahtar ayarına göre çalıştırma	
		ON	OFF
SW1- Fonksiyon ayarları	1 Zorunlu eritme	Başlat	Normal
	2 Geçmiş hataları temizleme	Temizle	Normal
	3 Soğutucu sistemi adres ayarları	0 ile 15 arası dış ünite adres ayarları	
	4		
	5		
	6		

10.2. Havadan Suya Isı Pompası

Soğutma komutunu dış ünitenin Seçme anahtarını kullanarak ayarlayın.

SW1 İşlevi Ayarı

SW1 Ayarı	Soğutma komutu	SW1 Ayarı	Soğutma komutu
ON OFF □□□□□□ 3 4 5 6 7	00	ON OFF □□□□□□ 3 4 5 6 7	03
ON OFF □□□□□□ 3 4 5 6 7	01	ON OFF □□□□□□ 3 4 5 6 7	04
ON OFF □□□□□□ 3 4 5 6 7	02	ON OFF □□□□□□ 3 4 5 6 7	05

Not:

a) 6 adede kadar ünite bağlanabilir.

b) Tüm üniteler için tek bir model seçin.

c) İç ünitenin Seçme anahtarları ayarları için, iç ünitenin montaj kılavuzuna bakın.

11. Özellikler

Ses Seviyesi (Anma çalışma frekansında ölçülür.)

			SHW80VHA	SHW112Y/VHA	SHW140YHA	SHW230YKA2
SPL	Isıtma	dB(A)	51	52	52	59
	Soğutma	dB(A)	50	51	51	58
PWL	Isıtma	dB(A)	69	70	70	75

Bu uyarının içeriği sadece Türkiye’de geçerlidir.

- Şirketimizdeki geliştirme faaliyetlerinden dolayı ürün özelliklerinin, haber verilmeksizin değiştirilme hakkı tarafımızda saklıdır.
- Anma değerleri için TS EN 14511 / TS EN 14825 deki iklim şartları ile tarif edilen koşullar esas alınmıştır.
- İç ve dış ortam sıcaklıklarının standartlarda esas alınan değerlerin dışına çıkması durumunda klimanızın ısıtma ve soğutma kapasitelerinin etkilenmesi doğaldır.
- Ürünün üzerinde bulunan işaretlemelerde veya ürünle birlikte verilen diğer basılı dokümanlarda beyan edilen değerler, ilgili standartlara göre laboratuvar ortamında elde edilen değerlerdir. Bu değerler, ürünün kullanım ve ortam şartlarına göre değişebilir.
- Satın almış olduğunuz ürünün kullanım ömrü 10 yıldır. Bu, ürünün fonksiyonunu yerine getirebilmesi için gerekli yedek parça bulundurma süresidir.

Ürünün montajı için Mitsubishi Electric Turkey Elektrik Ürünleri A.Ş. yetkili servisine / bayisine başvurunuz.

Servis İstasyonları ve Yedek Parça Temini :

Cihazınızın bakım, onarım ve yedek parça ihtiyaçları için klimanızı satın aldığınız yetkili satıcıya başvurunuz. Yetkili Servislerimizin listesine URL:<http://klima.mitsubishielectric.com.tr> adresinden veya 444 7 500 numaralı telefondan ulaşabilirsiniz.

Ünitenin ihtiyaç duyacağı bakım ve onarım parçaları 10 yıl boyunca üretilecektir.

AEEE Yönetmeliğine Uygundur.



İthalatçı Firma:

Merkez Ofis (Head Office)

Mitsubishi Electric Turkey Elektrik Ürünleri A.Ş.

Şerifali Mah. Kale Sok. No:41 34775 Ümraniye/ İstanbul / Türkiye

Tel: + 90 216 969 25 00 Faks: + 90 216 661 44 47

klima@tr.mee.com

URL:<http://klima.mitsubishielectric.com.tr>

SİCİL NO : 845150

MERSİS NO : 0 621047840100014

Üretici Firma:

Mitsubishi Electric Corporation (Head Office)

Tokyo Building, 2-7-3, Marunouchi, Chiyoda-ku, Tokyo 100-8310, Japan

Tel: +81 (3) 3218-2111

www.mitsubishielectric.com

Содержание

1. Меры предосторожности.....	124	7. Электрические работы.....	130
2. Место установки.....	125	8. Выполнение испытания (только для кондиционеров).....	132
3. Установка наружного прибора.....	127	9. Специальные функции.....	133
4. Прокладка труб хладагента.....	127	10. Управление системой.....	134
5. Дренажные трубы.....	130	11. Спецификации.....	134
6. Водопроводные трубы (только для теплового насоса с передачей тепла от воздуха к воде).....	130	12. Серийный номер.....	135

⚠ Осторожно:

- Не выпускайте R410A в атмосферу:

1. Меры предосторожности

- ▶ До установки прибора убедитесь, что Вы прочли все “Меры предосторожности”.
- ▶ Пожалуйста, проконсультируйтесь с органами электроснабжения до подключения системы.
- ▶ PUNZ-SHW230YKA2
“Данное оборудование соответствует требованиям IEC 61000-3-12 при условии, что мощность короткого замыкания S_{sc} превышает или равняется $S_{sc} (*1)$ в точке контакта источника питания пользователя с системой энергоснабжения. Лицо, устанавливающее или использующее оборудование, обязано убедиться, что оборудование подключено к источнику питания, мощность короткого замыкания S_{sc} которого превышает или равна $S_{sc} (*1)$, а в случае необходимости проконсультироваться с оператором распределительных сетей.”

$S_{sc} (*1)$

Модель	S_{sc} (MVA)
PUNZ-SHW230YKA2	1,35

⚠ Предупреждение:

Описывает меры предосторожности, необходимые для предотвращения получения травмы или гибели пользователя.

⚠ Осторожно:

Описывает меры предосторожности, необходимые для предотвращения повреждения прибора.

После окончания установочных работ проинструктируйте пользователя относительно правил эксплуатации и обслуживания аппарата, а также ознакомьте с разделом “Мера предосторожности” в соответствии с информацией, приведенной в Руководстве по использованию аппарата, и выполните тестовый прогон аппарата для того, чтобы убедиться, что он работает нормально. Обязательно передайте пользователю на хранение экземпляры Руководства по установке и Руководства по эксплуатации. Эти Руководства должны быть переданы и последующим пользователям данного прибора.

⚡ : Указывает, что данная часть должна быть заземлена.

⚠ Предупреждение:

Внимательно прочтите текст на этикетках главного прибора.

⚠ Предупреждение:

- Прибор не должен устанавливаться пользователем. Для выполнения установки прибора обратитесь к дилеру или сертифицированному техническому специалисту. Неправильная установка аппарата может повлечь за собой протечку воды, удар электрическим током или возникновение пожара.
- При установочных работах следуйте инструкциям в Руководстве по установке. Используйте инструменты и детали трубопроводов, специально предназначенные для использования с хладагентом марки R410A. Хладагент R410A в HFC-системе находится под давлением в 1,6 раза большим, чем давление, создаваемое при использовании обычных хладагентов. Если компоненты трубопроводов не предназначены для использования с хладагентом R410A, и аппарат установлен неправильно, трубы могут лопнуть и причинить повреждение или нанести травму. Кроме того, это может привести к утечке воды, поражению электрическим током или возникновению пожара.
- Прибор должен быть установлен согласно инструкциям, чтобы свести к минимуму риск повреждения от землетрясений, тайфунов или сильных порывов ветра. Неправильно установленный прибор может упасть и причинить повреждение или нанести травму.
- Прибор должен быть установлен на конструкции, способной выдержать его вес. Прибор, установленный на неустойчивой конструкции, может упасть и причинить повреждение или нанести травму.
- Если наружный блок установлен в небольшом помещении, необходимо принять меры для предотвращения концентрации хладагента свыше безопасных пределов в случае утечки хладагента. Проконсультируйтесь у дилера относительно соответствующих мер, предотвращающих превышение допустимой концентрации. В случае утечки хладагента и превышении допустимой его концентрации из-за нехватки кислорода в помещении может произойти несчастный случай.
- Если во время работы прибора произошла утечка хладагента, проветрите помещение. При контакте хладагента с пламенем образуются ядовитые газы.
- Все электроработы должны выполняться квалифицированным техническим специалистом в соответствии с местными правилами и инструкциями, приведенными в данном Руководстве. Приборы должны быть подключены к специально выделенным линиям электропитания с соответствующим напряжением через автоматические выключатели. Использование линий электропитания недостаточной мощности или неправильно проведенных линий может привести к поражению электрическим током или возникновению пожара.
- Для соединения медных или медносплавных бесшовных труб, предназначенных для хладагента, используйте медный фосфор C1220. Если трубы соединены неправильно, прибор не будет должным образом

заземлен, что может привести к поражению электрическим током.

- Используйте для проводки указанные кабели. Убедитесь, что кабели надежно соединены, а оконечные соединения не натянуты. Никогда не соединяйте кабели внахлест (если иное не указано в прилагаемой документации). Несоблюдение этих инструкций может привести к перегреву или возгоранию.
- Крышка наружного прибора должна быть надежно присоединена к прибору. Если крышка установлена неправильно, в прибор могут попасть пыль и влага, что может привести к поражению электрическим током или возникновению пожара.
- При установке, перемещении или сервисном обслуживании наружного блока используйте только указанный хладагент (R410A) для заправки трубопроводов хладагента. Не смешивайте его ни с каким другим хладагентом и не допускайте наличия воздуха в трубопроводах.
- Наличие воздуха в трубопроводах может вызывать скачки давления, в результате которых может произойти взрыв или другие повреждения. Использование любого хладагента, отличного от указанного для этой системы, вызовет механическое повреждение, сбой в работе системы, или выход устройства из строя. В наихудшем случае, это может послужить серьезной преградой к обеспечению безопасной работы этого изделия.
- Используйте только те дополнительные принадлежности, на которые имеется разрешение от Mitsubishi Electric; для их установки обратитесь к дилеру или уполномоченному техническому специалисту. Неправильная установка дополнительных принадлежностей может привести к протечке воды, поражению электрическим током или возникновению пожара.
- Не изменяйте конструкцию прибора. При необходимости ремонта обратитесь к дилеру. Если изменения или ремонт выполнены неправильно, это может привести к протечке воды, удару электрическим током или возникновению пожара.
- Пользователю не следует пытаться отремонтировать прибор или переместить его на другое место. Если прибор установлен неправильно, это может привести к утечке воды, удару электрическим током или возникновению пожара. Если необходимо отремонтировать или переместить наружный блок, обратитесь к дилеру или уполномоченному техническому специалисту.
- По окончании установки убедитесь в отсутствии утечки хладагента. Если хладагент проникнет в помещение и произойдет контакт его с пламенем обогревателя или переносного пищевого нагревателя, образуются ядовитых газов.

1.1. Перед установкой

⚠ Осторожно:

- Не используйте прибор в нестандартной окружающей среде. Установка наружного блока в местах, подверженных воздействию пара, летучих масел (включая машинное масло) или сернистых испарений, местах с повышенной концентрацией соли (таких, как берег моря), или местах, где прибор будет засыпан снегом, может привести к значительному снижению эффективности работы прибора или повреждению его внутренних частей.
- Не устанавливайте прибор в местах, где возможна утечка, возникновение, приток или накопление горючих газов. Если горючий газ будет накапливаться вокруг прибора, это может привести к возникновению пожара или взрыву.

- При использовании режима обогрева на наружном приборе образуется конденсат. Удостоверьтесь, что обеспечен хороший дренаж в районе наружного прибора, если этот конденсат может принести какой-либо вред.
- При монтаже прибора в больнице или центре связи примите во внимание шумовое и электронное воздействие. Работа таких устройств, как инверторы, бытовые приборы, высокочастотное медицинское оборудование и оборудование радиосвязи может вызвать сбой в работе наружного блока или его поломку. Наружный блок также может повлиять на работу медицинского оборудования и медицинское обслуживание, работу коммуникационного оборудования, вызывая искажение изображения на дисплее.

1. Меры предосторожности

1.2. Перед установкой (перемещением)

⚠ Осторожно:

- Соблюдайте особую осторожность при транспортировке или установке приборов. Прибор должен переносить два или более человека, поскольку он весит не менее 20 кг. Не поднимайте прибор за упаковочные ленты. При извлечении прибора из упаковки или при его перемещении используйте защитные перчатки, во избежание травмирования рук о пластины или о другие выступающие части.
- Утилизируйте упаковочные материалы надлежащим образом. Упаковочные материалы, такие, как гвозди и другие металлические или деревянные части, могут поранить или причинить другие травмы.

- Необходимо периодически производить проверку основного блока наружного прибора и установленных на нем компонентов на разболтанность, наличие трещин или других повреждений. Если такие дефекты оставить неисправленными, прибор может упасть и причинить повреждение или нанести травму.
- Не мойте наружный блок водой. Это может привести к поражению электрическим током.
- Затягивайте все хомуты на муфтах в соответствии со спецификациями, используя ключ с регулируемым усилием. Слишком сильно затянутый хомут муфты по прошествии некоторого времени может сломаться, что вызовет утечку хладагента.

1.3. Перед электрическими работами

⚠ Осторожно:

- Обязательно установите автоматические выключатели. В противном случае возможно поражение электрическим током.
- Используйте для электропроводки стандартные кабели, рассчитанные на соответствующую мощность. В противном случае может произойти короткое замыкание, перегрев или пожар.
- При монтаже кабелей питания не прикладывайте растягивающих усилий. Если соединения ненадежны, кабель может отсоединиться или порваться, что может привести к перегреву или возникновению пожара.

- Обязательно заземлите прибор. Не присоединяйте провод заземления к газовым или водопроводным трубам, громоотводам или телефонным линиям заземления. Отсутствие надлежащего заземления может привести к поражению электрическим током.
- Используйте автоматические выключатели (прерыватель утечки тока на землю, разъединитель (плавкий предохранитель +B) и предохранитель корпуса) с указанным предельным током. Если предельный ток автоматического выключателя больше, чем необходимо, может произойти поломка или пожар.

1.4. Перед тестовым прогоном (только для кондиционеров)

⚠ Осторожно:

- Включайте главный выключатель питания не позднее, чем за 12 часов до начала эксплуатации. Запуск прибора сразу после включения выключателя питания может серьезно повредить внутренние части. Держите главный выключатель питания включенным в течение всего времени работы.
- Перед началом эксплуатации проверьте, что все пульты, щитки и другие защитные части правильно установлены. Вращающиеся, нагретые или находящиеся под напряжением части могут нанести травмы.
- Не прикасайтесь ни к каким выключателям влажными руками. Это может привести к поражению электрическим током.

- Не прикасайтесь к трубам с хладагентом голыми руками во время работы прибора. Трубы с хладагентом при работе прибора нагреваются или охлаждаются в зависимости от состояния циркулирующего хладагента. Прикосновение к трубам может привести к ожогу или обморожению.
- После остановки прибора обязательно подождите по крайней мере пять минут перед выключением главного выключателя питания. В противном случае возможна протечка воды или поломка прибора.

1.5. Использование наружного блока с хладагентом R410A

⚠ Осторожно:

- Для соединения медных или медносплавных бесшовных труб, предназначенных для хладагента, используйте медный фосфор C1220. Удостоверьтесь, что внутри трубы чисты и не содержат никаких вредных загрязнителей, таких как соединения серы, окислители, мелкий мусор или пыль. Используйте трубы указанной толщины. (См. 4.1.) При использовании имеющихся труб, которые применялись для хладагента R22, обратите внимание на следующее.
 - Замените хомуты на муфтах и перезатяните соединенные секции.
 - Не используйте тонкие трубы. (См. 4.1.)
- Храните трубы, предназначенные для установки в закрытом помещении, запечатанными, а также оставьте запечатанными их концы; распаковывайте их непосредственно перед пайкой. (Оставьте коленчатые трубы и т.д. в упаковке.) Если пыль, мелкий мусор или влага попадут в трубопроводы хладагента, может произойти порча масла или поломка компрессора.
- Используйте в качестве масла охлаждения для покрытия соединительных муфт масло сложного или простого эфира или алкилбензол (в небольшом количестве). Если в масле охлаждения присутствует минеральное масло, может произойти порча масла.
- Используйте только хладагент R410A. В случае использования другого хладагента хлор может испортить масло.

- Используйте нижеперечисленные инструменты, специально предназначенные для работы с хладагентом R410A. Для работы с хладагентом R410A необходимы следующие инструменты. При возникновении каких-либо вопросов обратитесь к ближайшему дилеру.

Инструменты (для R410A)	
Набор шаблонов	Инструмент для затяжки муфт
Шланг зарядки	Калибр регулирования размера
Детектор утечки газа	Адаптер вакуумного насоса
Ключ с регулируемым усилием	Электронный измеритель зарядки хладагента

- Используйте только специальные инструменты. Попадание пыли, мелкого мусора или влаги в трубопроводы хладагента может привести к порче масла охлаждения.
- Не используйте для зарядки баллон. Использование баллона для зарядки приведет к изменению состава хладагента и снижению эффективности работы прибора.

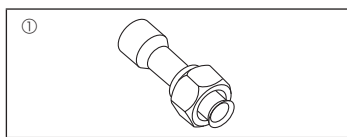


Fig. 1-1

1.6. Принадлежности наружного прибора (Fig. 1-1) (SHW230)

Детали, показанные слева, являются принадлежностями к данному прибору, и крепятся внутри сервисной панели.

- ① Соединительная труба..... ×1

2. Место установки

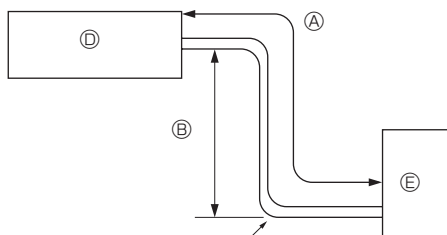


Fig. 2-1

2.1. Трубы хладагента (Fig. 2-1)

- Убедитесь в том, что перепад высоты между внутренним и наружным приборами, длина трубы хладагента и число изгибов в трубе не превышают указанных ниже пределов.

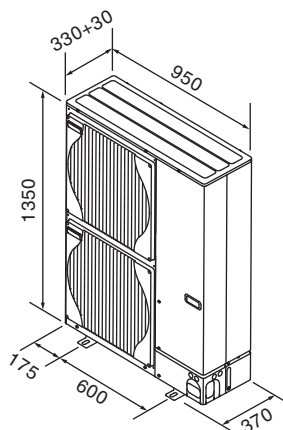
Модели	Ⓐ Длина трубы (в одну сторону)	Ⓑ Перепад высоты	Ⓒ Число изгибов (в одну сторону)
SHW80, 112, 140	2 м - 75 м	макс. 30 м	макс. 15
SHW230	2 м - 80 м	макс. 30 м	макс. 15

- Соблюдение ограничений по разнице в высоте является обязательным вне зависимости от того, какой прибор устанавливается выше – внутренний или наружный.

- Ⓓ Внутренний прибор
- Ⓔ Наружный прибор

2. Место установки

■ SHW80, 112, 140



■ SHW230

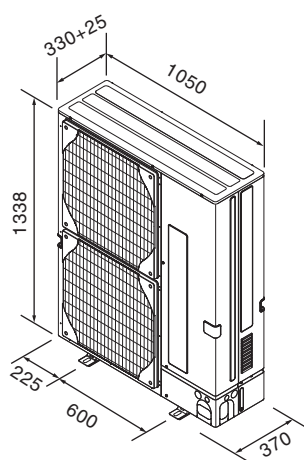


Fig. 2-2

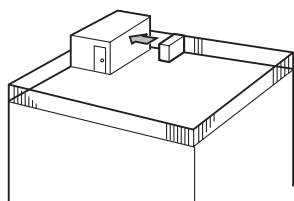


Fig. 2-3

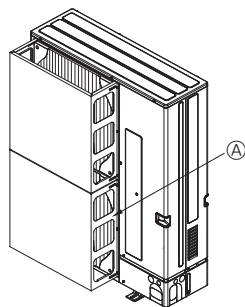


Fig. 2-4

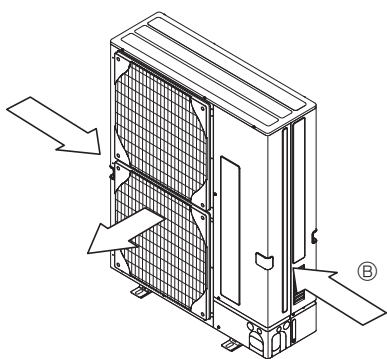


Fig. 2-5

2.2. Выбор места установки наружного прибора

- Не устанавливайте прибор в местах, подверженных воздействию прямых солнечных лучей или других источников нагрева.
- Выберите такое размещение, чтобы шум при работе прибора не беспокоил окружающих.
- Выберите место, удобное для проведения кабелей и трубопроводов к источнику питания и внутреннему прибору.
- Не устанавливайте прибор в местах, где возможна утечка, возникновение, приток или накопление горючих газов.
- Примите во внимание, что во время работы прибора из него может капать вода.
- Выберите место, способное выдержать вес и вибрацию прибора.
- Не устанавливайте прибор в местах, где он может быть засыпан снегом. В тех регионах, где возможны сильные снегопады, требуется принять специальные меры предосторожности (например, разместить прибор повыше или смонтировать на воздухозаборнике козырек) с целью предотвращения закупорки воздухозаборника снегом или прямого воздействия ветра. В противном случае возможно уменьшение потока воздуха, что может привести к сбою.
- Не устанавливайте прибор в местах, подверженных влиянию летучих масел, пара или сернистых испарений.
- Для транспортировки наружного прибора используйте четыре ручки, расположенные на приборе слева, справа, спереди и сзади. При переносе прибора за нижнюю часть можно придавить руки или пальцы.

2.3. Контурные габариты (Наружный прибор) (Fig. 2-2)

2.4. Вентиляция и сервисное пространство

2.4.1. Установка в местах, где возможен сильный ветер

При монтаже наружного прибора на крыше или другом месте, не защищенном от ветра, расположите вентиляционную решетку прибора так, чтобы она не подвергалась воздействию сильного ветра. Сильный ветер, дующий прямо в выходное отверстие, может препятствовать нормальному потоку воздуха, что может привести к сбою. Ниже приведены три примера соблюдения мер предосторожности против сильного ветра.

- ① Расположите прибор так, чтобы выходное отверстие было направлено к самой близкой из доступных стен на расстоянии около 50 см от стены. (Fig. 2-3)
- ② Установите дополнительный воздуховод, если прибор установлен в месте, где сильный ветер от тайфуна и т.д. может попадать непосредственно в вентиляционную решетку. (Fig. 2-4)
 - Ⓐ Воздухозащитная направляющая
- ③ По возможности разместите прибор так, чтобы воздух из выходного отверстия выдувался в направлении, перпендикулярном к сезонному направлению ветра. (Fig. 2-5)
 - Ⓑ Направление ветра

2.4.2. При установке одиночного наружного прибора (См. последнюю стр.)

Минимальные размеры включают, за исключением указанных Макс., значит Максимальных размеров, следующие размеры.

См. соответствующие значения для каждого случая.

- ① Окружающие предметы - только сзади (Fig. 2-6)
- ② Окружающие предметы - только сзади и сверху (Fig. 2-7)
- ③ Окружающие предметы - только сзади и с боковых сторон (Fig. 2-8)
- ④ Окружающие предметы - только спереди (Fig. 2-9)

* При использовании дополнительной направляющей воздуховыпускного отверстия, зазор составляет 500 мм или больше.

- ⑤ Окружающие предметы - только спереди и сзади (Fig. 2-10)

* При использовании дополнительной направляющей воздуховыпускного отверстия, зазор составляет 500 мм или больше.

- ⑥ Окружающие предметы - только сзади, с боковых сторон и сверху (Fig. 2-11)
 - Не используйте дополнительные воздуховоды для восходящего потока воздуха.

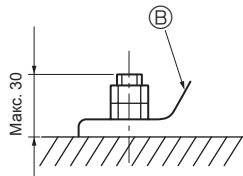
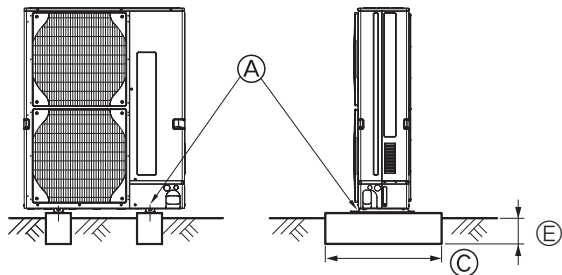
2.4.3. При установке нескольких наружных приборов (См. последнюю стр.)

Оставьте пространство в 10 мм или больше между приборами.

- ① Окружающие предметы - только сзади (Fig. 2-12)
- ② Окружающие предметы - только сзади и сверху (Fig. 2-13)
 - Не следует устанавливать рядом более трех приборов. Приборы должны находиться на указанном расстоянии друг от друга.
 - Не используйте дополнительные воздуховоды для восходящего потока воздуха.
- ③ Окружающие предметы - только спереди (Fig. 2-14)
 - * При использовании дополнительной направляющей воздуховыпускного отверстия, зазор составляет 1000 мм или больше.
- ④ Окружающие предметы - только спереди и сзади (Fig. 2-15)
 - * При использовании дополнительной направляющей воздуховыпускного отверстия, зазор составляет 1000 мм или больше.
- ⑤ Расположение приборов в один горизонтальный ряд (Fig. 2-16)
 - * При использовании дополнительного воздуховода выходного отверстия для восходящего потока воздуха, расстояние должно быть 1000 мм или больше.
- ⑥ Расположение приборов в несколько горизонтальных рядов (Fig. 2-17)
 - * При использовании дополнительного воздуховода выходного отверстия для восходящего потока воздуха расстояние должно быть 1500 мм или более.
- ⑦ Расположение приборов вертикальными рядами (Fig. 2-18)
 - Можно вертикально расположить до двух приборов.
 - Рядом должно быть установлено не более двух вертикальных рядов. Приборы должны находиться на указанном расстоянии друг от друга.

3. Установка наружного прибора

(мм)



- А Болт М10 (3/8")
- Б Основание
- С Максимально возможная длина.
- Д Вентиль
- Е Установите глубоко в грунт

- Обязательно устанавливайте прибор на твердой ровной поверхности для предотвращения его дребезжания во время эксплуатации. (Fig. 3-1)

<Требования к фундаменту>

Фундаментный болт	M10 (3/8")
Толщина бетона	120 мм
Длина болта	70 мм
Несущая способность	320 кг

- Убедитесь в том, что фундаментный болт в пределах 30 мм от нижней поверхности основания.
- Надежно прикрепите основание прибора с помощью четырех фундаментных болтов М10 к твердой поверхности.

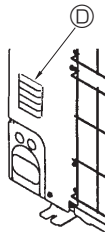
Установка наружного прибора

- Не блокируйте вентиль. Если вентиль заблокирован, это будет препятствовать работе, что может привести к поломке.
- Кроме предусмотренных изначально, используйте установочные отверстия в задней стенке прибора для подсоединения проводов и т.д., если возникнет такая необходимость. Для установки на место используйте шурупы-саморезы (ø5 × Не более 15 мм).

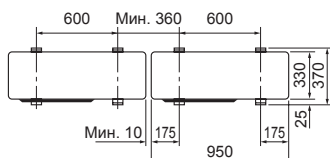
⚠ Предупреждение:

- Прибор должен быть установлен на конструкции, способной выдерживать его вес. Прибор, установленный на неустойчивой конструкции, может упасть и причинить повреждение или нанести травму.
- Прибор должен быть установлен согласно инструкциям, чтобы свести к минимуму риск повреждения от землетрясений, тайфунов или сильных порывов ветра. Неправильно установленный прибор может упасть и причинить повреждение или нанести травму.

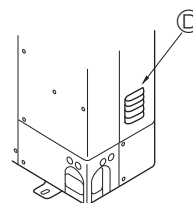
■ SHW80, 112, 140



■ SHW80, 112, 140



■ SHW230



■ SHW230

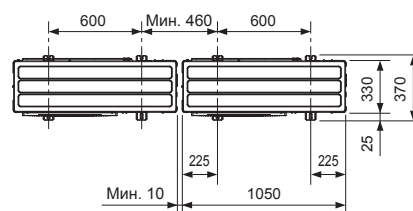


Fig. 3-1

4. Прокладка труб хладагента

4.1. Меры предосторожности для устройств, в которых используется хладагент марки R410A

- См. раздел 1.5., в котором приведены не перечисленные ниже меры предосторожности относительно использования наружного блока с хладагентом R410A.
- Используйте в качестве масла охлаждения для покрытия соединительных муфт масло сложного или простого эфира или алкилбензол (небольшое количество).
- Для соединения медных или медносплавных бесшовных труб, предназначенных для хладагента, используйте медный фосфор С1220. Используйте трубы для хладагента соответствующей толщины для каждого случая; значения толщины приведены в таблице ниже. Удостоверьтесь, что внутри трубы чисты и не содержат никаких вредных загрязнителей, таких, как соединения серы, окислители, мелкий мусор или пыль. Во время твердой пайки труб всегда используйте неокисляющийся припой, иначе компрессор выйдет из строя.

⚠ Предупреждение:

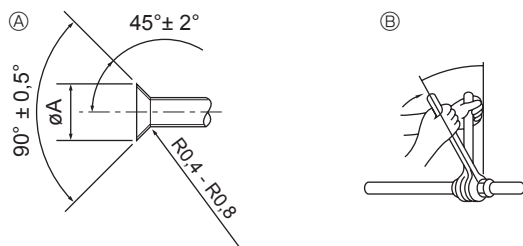
При установке, перемещении или сервисном обслуживании наружного блока используйте только указанный хладагент (R410A) для заправки трубопроводов хладагента. Не смешивайте его ни с каким другим хладагентом и не допускайте наличия воздуха в трубопроводах.

Наличие воздуха в трубопроводах может вызывать скачки давления, в результате которых может произойти взрыв или другие повреждения. Использование любого хладагента, отличного от указанного для этой системы, вызовет механическое повреждение, сбой в работе системы, или выход устройства из строя. В наихудшем случае, это может послужить серьезной преградой к обеспечению безопасной работы этого изделия.

Размер трубы (мм)	ø6,35	ø9,52	ø12,7	ø15,88	ø19,05	ø22,2	ø25,4	ø28,58
Толщина (мм)	0,8	0,8	0,8	1,0	1,0	1,0	1,0	1,0

- Не используйте трубы более тонкие, чем указано выше.
- Используйте трубы 1/2 Н или Н, если диаметр составляет 19,05 мм или больше.

4. Прокладка труб хладагента



А Раструбный стык - размеры
Б Момент затяжки гайки раструбного стыка

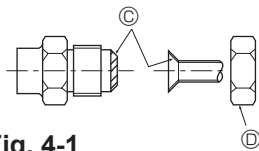


Fig. 4-1

А (Fig. 4-1)

Медная труба О.Д. (мм)	Размеры раструба, диаметр А (мм)
Ø6,35	8,7 - 9,1
Ø9,52	12,8 - 13,2
Ø12,7	16,2 - 16,6
Ø15,88	19,3 - 19,7
Ø19,05	23,6 - 24,0

Б (Fig. 4-1)

Медная труба О.Д. (мм)	Гайка раструбного стыка О.Д. (мм)	Момент затяжки (Н·м)
Ø6,35	17	14 - 18
Ø6,35	22	34 - 42
Ø9,52	22	34 - 42
Ø12,7	26	49 - 61
Ø12,7	29	68 - 82
Ø15,88	29	68 - 82
Ø15,88	36	100 - 120
Ø19,05	36	100 - 120

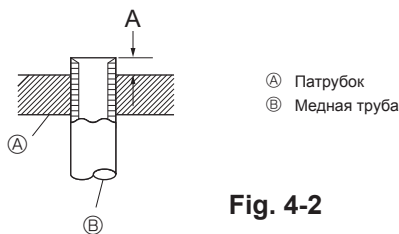


Fig. 4-2

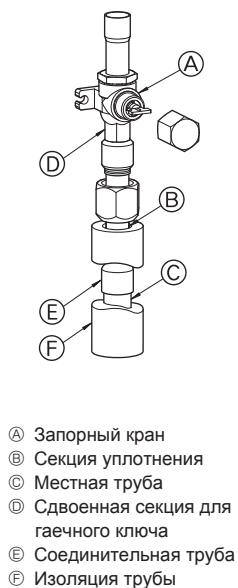


Fig. 4-3

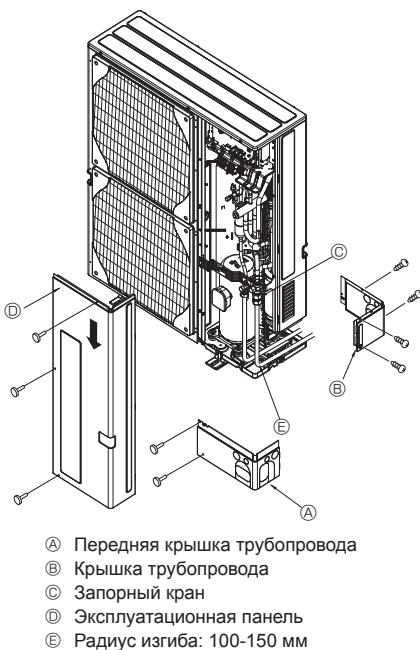


Fig. 4-4

4.2. Соединение труб (Fig. 4-1)

- При использовании медных труб, имеющихся в продаже, оберните трубы для жидкости и газа имеющимися в продаже изоляционными материалами (с теплозащитой от 100°C или выше, толщиной не менее 12 мм).
- Обязательно устанавливайте тепловую изоляцию отдельно на трубы с газообразным и жидким хладагентом.
- Внутренняя часть дренажной трубы должна быть обернута в пенополиэтиленовый изолирующий материал (удельный вес 0,03; толщина 9 мм или более).
- Нанесите тонкий слой масла хладагента на контактную поверхность труб и соединений перед тем, как затягивать гайку с фланцем. А
- Для затягивания трубных соединений используйте 2 гаечных ключа. Б
- Используйте детектор утечки или мыльный раствор для проверки утечки газа после завершения всех соединений.
- Нанесите машинное масло охлаждения на всю поверхность области присоединения муфты. С
- Используйте гайки раструбного стыка для следующего размера трубы. D

		SHW80, 112, 140	SHW230
Страна газа	Размер трубы (мм)	Ø15,88	Ø25,4
Страна жидкости	Размер трубы (мм)	Ø9,52	Ø12,7

- При изгибе труб будьте осторожны, чтобы не допустить их поломки. Рекомендуются радиусы изгиба от 100 мм до 150 мм.
- Удостоверьтесь, что трубы не соприкасаются с компрессором. Такое соприкосновение может вызывать лишний шум или вибрацию.

- 1 Соединение труб производится, начиная от внутреннего прибора. Хомуты на муфтах следует затягивать с помощью ключа с регулируемым усилием.
- 2 Установите трубы для жидкости и для газа и нанесите тонкий слой масла охлаждения (на соответствующее место).
- В случае использования обычного уплотнения трубы, обратитесь к таблице 1 для справки о соединении труб для хладагента R410A. Для проверки размеров А можно использовать шаблон подгонки размера.

Таблица 1 (Fig. 4-2)

Медная труба О.Д. (мм)	А (мм)	
	стыка для R410A	стыка для R22-R407C
	Инструмент раструбного	
Ø6,35 (1/4")	0 - 0,5	1,0 - 1,5
Ø9,52 (3/8")	0 - 0,5	1,0 - 1,5
Ø12,7 (1/2")	0 - 0,5	1,0 - 1,5
Ø15,88 (5/8")	0 - 0,5	1,0 - 1,5
Ø19,05 (3/4")	0 - 0,5	1,0 - 1,5

- 3 Для соединения труб со стороны газа необходимо выполнить следующие операции. (Fig. 4-3) (SHW230)

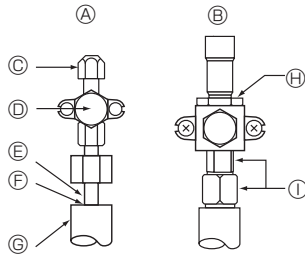
- 1 Припаяйте соединительную трубу E, предназначенную для присоединения к наружному прибору, используя твёрдый припой местного производства, и местную трубу C из бескислородной меди.
- 2 Присоедините соединительную трубу E к запорному крану со стороны газа. Используйте два ключа, чтобы затянуть гайку с фланцем.
* Если выполнить операции в обратном порядке, произойдёт утечка хладагента из-за повреждения деталей огнём паяльной лампы.

4.3. Прокладка труб хладагента (Fig. 4-4)

Снимите эксплуатационную панель D (3 винта), а также переднюю крышку трубопровода A (2 винта) и заднюю крышку трубопровода B (2 винта: SHW80 - 140) (4 винта: SHW230).

- 1 Подсоедините трубопроводы хладагента к устройству, предназначенному для установки внутри/вне помещения, при полностью закрытом запорном вентиле устройства для установки вне помещения.
- 2 Произведите вакуумную продувку воздуха из внутреннего прибора и труб соединения.
- 3 После соединения труб хладагента проверьте соединенные трубы и внутренний прибор на наличие утечек газа. (См. 4.4. "Метод проверки герметичности трубопровода хладагента".)
- 4 Высокопроизводительный вакуумный насос установлен у сервисного порта запорного клапана для поддержания вакуума в течение соответствующего времени (по крайней мере, в течение одного часа после достижения разрежения в -101 кПа (5 торр)), чтобы обеспечить вакуумную сушку внутри труб. Всегда проверяйте степень вакуума в коллекторе манометра. Если в трубе имеются остатки влажности, степень вакуума при использовании кратковременного разрежения не достигается. После вакуумной сушки, полностью откройте запорные клапаны (и жидкостный, и газовый) наружного прибора. Эта процедура завершает соединение контуров охлаждающих жидкостей внутреннего и наружного приборов.
 - Если не производите вакуумную сушку надлежащим образом, в контурах охлаждения останется воздух и пары воды, что может привести к ненормальному подъему высокого давления, ненормальному падению низкого давления, ухудшению масла охлаждающего агрегата по причине влаги и т.д.
 - Если оставить закрытыми запорные краны и включить прибор, это приведет к повреждению компрессора и кранов контроля.
 - Проверьте места соединения труб наружного прибора на наличие утечек с помощью детектора утечки или мыльной воды.
 - Не используйте хладагент из прибора для удаления воздуха из трубопроводов хладагента.
 - По окончании всех операций с кранами закрутите колпачки кранов до соответствующего усилия: от 20 до 25 Н·м (от 200 до 250 кгс·см). Неправильная замена и закрытие колпачков могут привести к утечке хладагента. Кроме того, не повредите внутренние детали колпачков кранов, поскольку они служат уплотнителями, предотвращающими утечку хладагента.
- 5 Для предотвращения пропитывания изоляционного материала на торцах труб водой произведите уплотнение соединений трубопроводов герметиком.

4. Прокладка труб хладагента



- А** Запорный кран «для жидкости»
Б Запорный кран «для газа»
С Стык для техобслуживания
Д Секция открытия/закрытия
Е Местная труба
Ф Герметизация, таким же образом для газовой стороны
Г Покрытие трубы
Н Не используйте здесь ключ. Иначе может произойти утечка хладагента.
И Здесь используйте 2 ключа.

Fig. 4-5

(1)

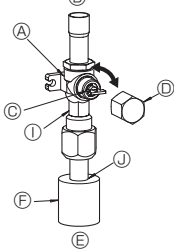


Fig. 4-6

- А** Кран
Б Со стороны блока
С Ручка
Д Колпачок
Е Со стороны местной трубы
Ф Изоляция трубы
Г Стык для техобслуживания
Н Отверстие под ключ

(2)

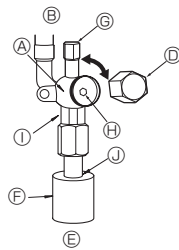


Fig. 4-7

- И** Сдвоенная секция для гаечного ключа (Затягивайте ключом только эту секцию. Если использовать ключ с другими секциями, это приведет к утечкам хладагента.)
У Уплотнительная секция (Уплотните конец теплоизоляционного материала у секции трубного соединения любым уплотнительным материалом, имеющимся под рукой, чтобы вода не проникла в изоляционный материал.)

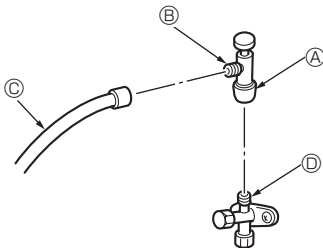


Fig. 4-8

- *** Рисунок, расположенный слева, приведен в качестве примера. Форма запорного клапана, положение сервисного порта и т.д. могут отличаться в зависимости от модели.
***** Поверните только секцию **А**. (Дополнительного затягивания секций **А** и **Б** друг с другом не требуется.)
С Шланг заправки хладагента
Д Сервисный порт

4.4. Метод проверки герметичности трубопровода хладагента (Fig. 4-5)

- Подсоедините проверочные инструменты.
 - Убедитесь в том, что запорные краны **А** и **Б** закрыты, и не открывайте их.
 - Подайте давление в трубопроводы хладагента через служебное отверстие **С** запорного крана **А**.
- Не следует сразу подавать указанное давление полностью; увеличивайте давление постепенно.
 - Увеличьте давление до 0,5 МПа (5 кгс/см²G), подождите пять минут и удостоверьтесь, что давление не снизилось.
 - Увеличьте давление до 1,5 МПа (15 кгс/см²G), подождите пять минут и удостоверьтесь, что давление не снизилось.
 - Увеличьте давление до 4,15 МПа (41,5 кгс/см²G) и измерьте температуру окружающего воздуха и давление хладагента.
- Если указанное давление держится в течение приблизительно одного дня и не уменьшается, то трубы выдержали испытание и утечек нет.
 - При изменении температуры окружающего воздуха на 1°C давление изменяется приблизительно на 0,01 МПа (0,1 кгс/см²G). Произведите необходимые подстройки.
- Если на этапах (2) или (3) наблюдается снижение давления, происходит утечка газа. Найдите источник утечки газа.

4.5. Способ открытия запорного крана

Метод открытия запорного клапана изменяется в зависимости от модели наружного прибора. Используйте надлежащий метод открытия запорных клапанов.

(1) Сторона с газом (Fig. 4-6)

- Снимите колпачок, потяните ручку на себя и поверните на 1/4 оборота против часовой стрелки для открытия.
- Убедитесь в том, что запорный кран полностью открыт, надавите на ручку и поверните колпачок в первоначальное положение.

(2) Сторона с жидкостью (Fig. 4-7)

- Снимите колпачок и поверните шток золотника против часовой стрелки до упора, используя для этой цели 4 мм шестигранный гаечный ключ. Прекратите поворачивать шток в момент, когда тот достигнет стопора. (Ø9,52: Приблизительно 10 оборотов)
- Убедитесь в том, что запорный кран полностью открыт, надавите на ручку и поверните колпачок в первоначальное положение.

Трубы хладагента имеют защитную изоляцию

- Трубы могут быть обернуты защитной изоляцией до диаметра Ø90 до или после соединения. Вырежьте кусок в покрытии трубы по канавке и оберните трубы.

Зазор входа трубы

- Используйте замазку или герметик, чтобы загерметизировать входное отверстие для трубы и ликвидировать все щели. (Если имеются незакрытые отверстия, прибор может издавать шум, а также в него могут проникнуть вода и пыль, что может привести к поломке.)

Меры предосторожности при использовании клапана заправки хладагента (Fig. 4-8)

Не затягивайте сервисный порт слишком сильно при установке, в противном случае возможна деформация сердечника клапана и его ослабление, что может стать причиной утечки газа.

После установки секции **Б** в необходимое положение, поверните только секцию **А** и затяните ее.

Дополнительного затягивания секций **А** и **Б** друг с другом после затягивания секции **А** не требуется.

⚠ Предупреждение:

При установке прибора надежно подсоедините трубы подачи охлаждающей жидкости до запуска компрессора.

4.6. Добавление хладагента

- Данный прибор не нуждается в дополнительной зарядке, если длина трубы не превышает 30 м.
- Если длина трубы превышает 30 м, дополнительно зарядите устройство хладагентом R410A. Допустимые длины труб указаны ниже.

* При выключенном приборе заряжайте его добавочным количеством хладагента через жидкостный запорный кран после вакуумной продувки труб и внутреннего прибора.

При включенном приборе добавляйте хладагент через кран контроля газа, используя прибор безопасной зарядки. Не добавляйте жидкий хладагент непосредственно через кран контроля.

* После зарядки прибора хладагентом обратите внимание на количество добавочного хладагента на служебной метке (присоединенной к прибору). Дополнительная информация содержится в разделе "1.5. Использование наружного блока с хладагентом R410A".

- Будьте осторожны при установке нескольких приборов. Присоединение не к нужному внутреннему прибору может привести к ненормально высокому давлению и оказать существенное влияние на эксплуатационные показатели прибора.

Модель	Разрешенная длина трубы	Разрешенный перепад высоты	Количество исходного хладагента для зарядки	Количество добавочного хладагента для зарядки			
				31 - 40 м	41 - 50 м	51 - 60 м	61 - 75 м
SHW80, 112, 140	2 м - 75 м	макс. 30 м	5,5 кг	0,6 кг	1,2 кг	1,8 кг	2,4 кг

Модель	Разрешенная длина трубы	Разрешенный перепад высоты	Количество исходного хладагента для зарядки	Метод работы	Размер жидкостной трубы	Количество добавочного хладагента для зарядки					
						21 - 30 м	31 - 40 м	41 - 50 м	51 - 60 м	61 - 70 м	71 - 80 м
SHW230	2 м - 80 м*1	макс, 30 м	7,1 кг	ATW	φ 12,7	–	1,4 кг	2,8 кг	4,2 кг	5,6 кг	7,0 кг
					φ 9,52	–	–	0,8 кг	1,7 кг	2,6 кг	3,5 кг
					φ 12,7	1,4 кг	2,8 кг	4,2 кг	5,6 кг	7,0 кг	8,4 кг
ATA / AHU	φ 9,52	–	0,8 кг	1,7 кг	2,6 кг	3,5 кг	4,4 кг				

*1, Установите SW8-2 на пульте управления в положение ON при длине трубы 10 м или менее (SHW230YKA2R2 или более поздние модели).

4. Прокладка труб хладагента

<Ограничения по прокладке труб хладагента>

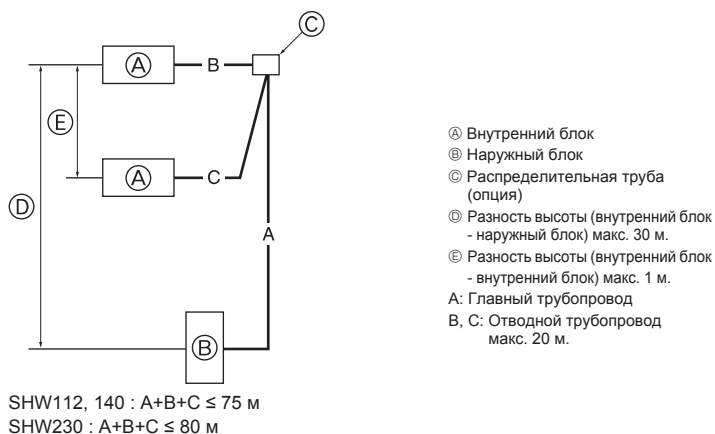


Fig. 4-9

5. Дренажные трубы

Соединение дренажных труб наружного прибора

Модель PUNZ-SHW не предусматривает подсоединение дренажной трубы, так как прибор предназначен для эксплуатации в условиях холодного климата.

6. Водопроводные трубы (только для теплового насоса с передачей тепла от воздуха к воде)

Минимальный объем воды

Для работы контура охлаждения требуется объем воды, приведенный в таблице ниже.

Модель	Минимальный объем воды (л)
SHW80	34
SHW112	48
SHW140	60
SHW230	99

Обязательно примите меры для защиты от обмерзания, например, применение антифриза во время работы блока в режиме охлаждения при низкой температуре окружающей среды (ниже 0 °C).

7. Электрические работы

7.1. Наружный прибор (Fig. 7-1, Fig. 7-2)

- Снимите защитную панель.
- Подсоедините кабели, как указано на Fig. 7-1 и Fig. 7-2.

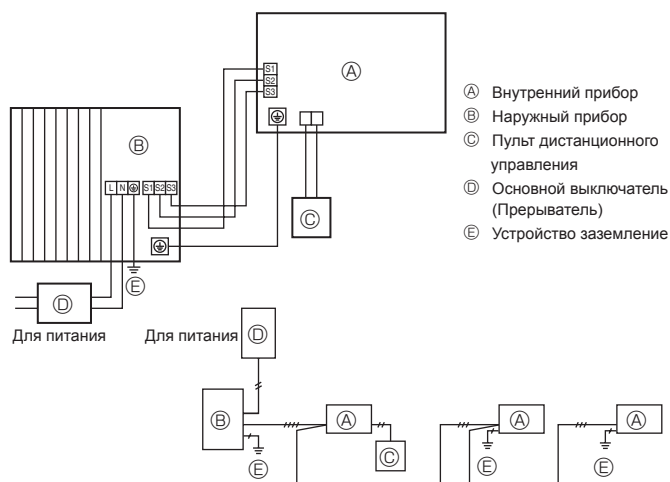


Fig. 7-1

Примечание: Только для теплового насоса с передачей тепла от воздуха к воде

Когда множественные внутренние приборы (гидроашики) подключены к наружному прибору, подключите печатную плату одного из внутренних приборов к наружному прибору (S1, S2, S3).

Невозможно подключить печатные платы нескольких внутренних приборов к наружному прибору.

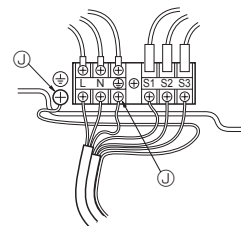
4.7. Для двойной/тройной/четверной комбинации (Fig. 4-9) (только для кондиционеров)

- Если данный прибор используется в качестве прибора УСТРОЙСТВО МНОГОКРАТНОГО СОРТИРОВАНИЯ, проложите трубы хладагента с учетом ограничений, указанных на чертеже слева. Кроме того, если предполагается, что ограничения будут превышены, или если будут комбинации из внутренних и наружных приборов, см. дополнительную информацию по монтажу в инструкциях по установке внутреннего прибора.

Наружный прибор	Допустимая общая длина труб A+B+C	Длина труб без загрузки A+B+C
SHW112, 140	75 м Не более	30 м Не более
SHW 230	80 м Не более	30 м Не более

Наружный прибор	B-C	Кол-во сгибов
SHW112, 140, 230	8 м Не более	В пределах 15

■ SHW80, 112V



■ SHW112 - 230V

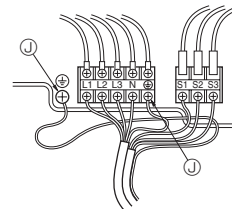


Fig. 7-2

- Ⓕ Клемная колодка
 Ⓖ Клемная колодка внутреннего/наружного подключения (S1, S2, S3)
 Ⓗ Сервисная панель
 Ⓘ Клемма
 Ⓝ Клеммы заземления

* Прокладывайте кабели таким образом, чтобы они не соприкасались с центром эксплуатационной панели или с газовым клапаном.

Примечание:

Если при обслуживании был снят защитный лист распределительной коробки, обязательно установите его на место.

⚠ Осторожно:

Обязательно установите N-линию. Отсутствие N-линии может привести к повреждению устройства.

7. Электрические работы

7.2. Электропроводка на месте монтажа

Модель наружного прибора	SHW80V	SHW112V	SHW112, 140Y	SHW230Y
Наружный прибор Электропитание	~N (однофазный), 50 Гц, 230 В	~N (однофазный), 50 Гц, 230 В	3N~ (3 ф 4 провода), 50 Гц, 400 В	3N~ (3 ф 4 провода), 50 Гц, 400 В
Входная мощность внутреннего прибора Главный выключатель (Прерыватель)	*1 32 А	40 А	16 А	25 А
Электропроводка Провод № × размер (мм²)	Наружный прибор Электропитание	3 × Мин. 4	3 × Мин. 6	5 × Мин. 1,5
	Внутренний прибор-Наружный прибор	*2 3 × 1,5 (полярный)	3 × 1,5 (полярный)	3 × 1,5 (полярный)
	Заземление внутреннего/наружного прибора	*2 1 × Мин. 1,5	1 × Мин. 1,5	1 × Мин. 1,5
Мощность Цели	Пульт дистанционного управления - Внутренний прибор	*3 2 × 0,3 (неполярный)	2 × 0,3 (неполярный)	2 × 0,3 (неполярный)
	Наружный прибор L-N (однофазный)	*4 230 Вольт перем. тока	230 Вольт перем. тока	230 Вольт перем. тока
	Наружный прибор L1-N, L2-N, L3-N (3 фазы)	*4 230 Вольт перем. тока	230 Вольт перем. тока	230 Вольт перем. тока
	Внутренний прибор-Наружный прибор S1-S2	*4 24 Вольт пост. тока	24 Вольт пост. тока	24 Вольт пост. тока
Внутренний прибор-Наружный прибор S2-S3	*4 24 Вольт пост. тока	24 Вольт пост. тока	24 Вольт пост. тока	24 Вольт пост. тока
Пульт дистанционного управления - Внутренний прибор	*4 12 Вольт пост. тока	12 Вольт пост. тока	12 Вольт пост. тока	12 Вольт пост. тока

*1. Используйте выключатель тока утечки на землю (NV) с расстоянием между контактами по крайней мере 3,0 мм для каждого полюса.

Убедитесь в том, что используемый прерыватель утечки тока совместим с более высокой гармоникой.

Всегда пользуйтесь прерывателем утечки тока, так как данный прибор оборудован инвертором.

Прерыватель утечки тока, несовместимый с более высокой гармоникой, может стать причиной неправильной работы инвертора.

*2. (SHW80 - 140)

Макс. 45 м

Если используется 2,5 мм², макс. 50 м

Если используется 2,5 мм² и отдельный S3, макс. 80 м

(SHW230)

Макс. 80 м Предельный макс, включая все внутренние/ внутренние соединения составляет 80 м.

• Используйте один кабель для S1 и S2 и другой кабель для S3, как показано на рисунке.

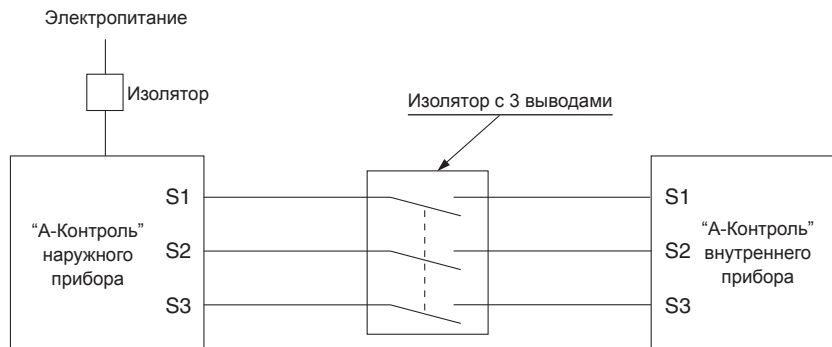


*3. К аксессуару пульта дистанционного управления прилагается провод 10 м.

*4. Величины HE всегда измерены относительно земли.

Разница потенциалов выводов S3 и S2 составляет 24 В постоянного тока. Между выводами S3 и S1 нет электрической изоляции с помощью трансформатора или другого устройства.

- Примечания:**
- Диаметр проводов должен соответствовать применимым местным и национальным нормам.
 - Силовые кабели и кабели соединения Внутреннего/Наружного прибора не должны быть легче экранированного гибкого провода из полихлоропрена (модель 60245 IEC 57).
 - Воспользуйтесь проводом заземления, который длиннее других проводов, чтобы он не отключился при подаче напряжения.



⚠ Предупреждение:

- В случае прокладки кабелей А-управления на выводе S3 имеется высоковольтный потенциал, связанный с конструкцией электрической цепи, в которой отсутствует изоляция между силовой линией и линией сигнала связи. Поэтому при проведении сервисного обслуживания отключите основной источник питания. Не прикасайтесь к контактам S1, S2, S3, когда подается питание. Если требуется использовать изолятор между наружным и внутренним блоками, используйте 3-полюсного типа.
- При температуре ниже - 20°C необходимо дать прибору поработать не менее 12 часов в режиме ожидания, чтобы прогрелись электрические детали.

Никогда не подсоединяйте внахлест силовую кабель или соединительный кабель внешнего питания. Это может привести к задымлению, возгоранию или неисправности.

КАБЕЛЬ ПОДКЛЮЧЕНИЯ ВНУТРЕННЕГО И ВНЕШНЕГО БЛОКОВ (SHW230)

Поперечное сечение кабеля	Размер провода (мм²)	Количество проводов	Полярность	L (М)*6
Круглый	2,5	3	По часовой стрелке : S1-S2-S3 * Обратите внимание на желтую и зеленую полоски	(30) *2
Плоский	2,5	3	Неприменимо (Потому что центральный провод не имеет отделочной изоляции)	Неприменимо *5
Плоский	1,5	4	Слева направо : S1-разомкнуто-S2-S3	(18) *3
Круглый	2,5	4	По часовой стрелке : S1-S2-S3-разомкнуто * Подсоедините S1 и S3 на противоположном углу	(30) *4

*1 : Шнуры питания устройств должны отвечать, по меньшей мере, требованиям 60245 IEC или 227 IEC.

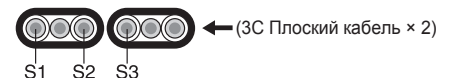
*2: В случае если имеется кабель с желтой и зеленой полосками.

*3: В случае подсоединения с обычной полярностью (S1-S2-S3), размер провода равен 1,5 мм².

*4: В случае подсоединения с обычной полярностью (S1-S2-S3).

*5: Если плоские кабели подсоединяются так, как показано на данном рисунке, их длина может составлять 30 м.

*6: Указанная длина кабеля приведена только в качестве справочного значения. Она может отличаться в зависимости от условий монтажа, влажности или материалов и т.п.



Обязательно подключайте соединительные кабели внутреннего и наружного приборов непосредственно к самим приборам (без промежуточных соединений). Промежуточные соединения могут привести к ошибкам связи, если в кабели попадет вода, которая приведет к недостаточной изоляции заземления или плохому электрическому контакту в точке промежуточного соединения.

8. Выполнение испытания (только для кондиционеров)

8.1. Перед пробным прогоном

- ▶ После завершения установки, прокладки труб и электропроводки внутреннего и наружного приборов проверьте отсутствие утечки хладагента, слабых соединений кабеля питания или проводов управления и неправильной полярности, а также убедитесь, что все фазы питания подключены.
- ▶ Измерьте сопротивление между терминалами источника электропитания и заземлением с использованием 500-вольтного меггера и убедитесь, что сопротивление составляет не менее 1 МΩ.
- ▶ Запрещается выполнять этот замер на терминалах проводах управления (цепь низкого напряжения).

⚠ Предупреждение:

Не пользуйтесь наружным блоком, если сопротивление изоляции меньше 1 МΩ.

Сопротивление изоляции

После установки или длительного отключения источника питания от прибора, сопротивление изоляции падает ниже 1 МΩ вследствие накопления хладагента в компрессоре. Это не является неисправностью. Выполните следующие действия.

1. Отключите от компрессора провода и измерьте сопротивление изоляции компрессора.
2. Если сопротивление изоляции ниже 1 МΩ, то компрессор неисправен или сопротивление упало вследствие накопления хладагента в компрессоре.
3. После подсоединения проводов к компрессору при подаче питания он начнет нагреваться. После подачи питания в течение нижеуказанных периодов времени, измерьте сопротивление изоляции еще раз.

- Сопротивление изоляции понижается из-за накопления хладагента в компрессоре. Сопротивление поднимется выше 1 МΩ после прогрева компрессора в течение 4 часов. (Время, в течение которого необходимо прогревать компрессор, зависит от атмосферных условий и количества накопленного хладагента.)
 - Чтобы использовать компрессор, в котором скопился хладагент, компрессор необходимо прогреть в течение по крайней мере 12 часов, чтобы предотвратить поломку.
4. Если сопротивление изоляции возрастает до значения свыше 1 МΩ, то компрессор исправен.

⚠ Осторожно:

• Компрессор не будет работать при неправильном подсоединении фаз источника электропитания.

• Подключите электропитание прибора не менее чем за 12 часов до начала работы.

- Запуск прибора сразу после подключения сетевого питания может серьезно повредить внутренние части прибора. Сетевой выключатель должен оставаться во включенном положении в течение всего периода эксплуатации прибора.

▶ Выполните проверку следующего.

- Наружный прибор исправен. Если наружный прибор неисправен, на пульте управления наружного прибора мигают индикаторы LED1 и LED2.
- Запорные краны газа и жидкости полностью открыты.
- Защитный лист закрывает поверхность панели Dip-переключателей на пульте управления наружного прибора. Для облегчения работы с Dip-переключателями удалите защитный лист.

8.2. Выполнение испытания

8.2.1. Использование SW4 в наружном блоке

SW4-1	ON (Вкл.)	Работа в режиме охлаждения
SW4-2	OFF (Выкл.)	
SW4-1	ON (Вкл.)	Работа в режиме обогрева
SW4-2	ON (Вкл.)	

- * После выполнения пробного прогона, установите SW4-1 на OFF (Выкл.).
- После подачи питания внутри наружного прибора могут появиться шумы (легкие щелчки). Это работа электронного клапана расширения (открытие и закрытие). Это не является неисправностью.
- Через несколько секунд после запуска компрессора внутри наружного прибора может появиться шум (лязг). Этот шум исходит от контрольного крана вследствие небольшого перепада давления в трубах. Это не является неисправностью.

Режим тестового прогона во время его выполнения невозможно изменить Dip-переключателем SW4-2. (Для смены режима тестового прогона во время его выполнения прервите выполнение с помощью Dip-переключателя SW4-1. После смены режима продолжайте выполнение тестового прогона, включив Dip-переключатель SW4-1.)

8.2.2. Использование пульта дистанционного управления

См. руководство по установке внутреннего блока.

Примечание:

Иногда при возникновении испарений в процессе оттаивания может казаться, что наружный прибор дымится.

9. Специальные функции

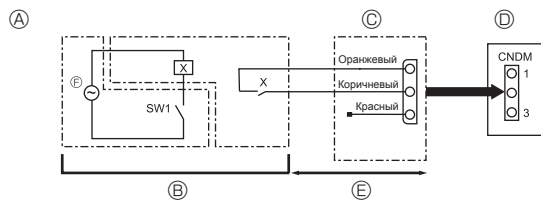


Fig. 9-1

- A Пример коммутационной схемы (режим низкого шума)
 B Размещение на месте
 C Внешний входной адаптер (PAC-SC36NA-E)
 X: Реле
 D Пульт управления наружным прибором
 E Максимум 10 м.
 F Питание на реле

9.1. Режим низкого шума (модификация “на месте”) (Fig. 9-1)

После выполнения нижеприведенной модификаций шум работы наружного прибора может быть уменьшен примерно на 3-4 дБ.

Режим низкого шума активизируется после подключения отдельно поставляемого таймера или подключения контактного входа переключателя “ON/OFF” к разъему CNDM (также поставляется отдельно) на пульте управления наружного прибора.

- Эта возможность зависит от температуры и условий окружающей среды и т.д.
- ① При использовании внешнего входного адаптера (PAC-SC36NA-E) (поставляется отдельно) дополните электросхему как показано ниже.
- ② SW1 в положении ON: режим низкого шума
SW1 в положении OFF: обычный режим

Примечание:

Когда Dip SW7-1 и SW9-1 на пульте управления наружного прибора установлен в положение ON, установите Dip SW7-1, SW9-1 в положение OFF. (Данный режим нельзя использовать вместе с функцией пониженного электропотребления.)

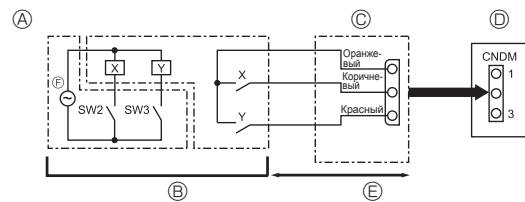


Fig. 9-2

- A Пример коммутационной схемы (функция пониженного электропотребления)
 B Размещение на месте
 C Внешний входной адаптер (PAC-SC36NA-E)
 X, Y: Реле
 D Пульт управления наружным прибором
 E Максимум 10 м.
 F Питание на реле

9.2. Функция пониженного электропотребления (модификация “на месте”) (Fig. 9-2) (только для кондиционеров)

После выполнения следующей модификации потребление электроэнергии можно снизить на 0-100% от обычного потребления.

Функция пониженного электропотребления активизируется после подключения отдельно поставляемого таймера или контактного входа переключателя ON/OFF к разъему CNDM (также поставляется отдельно) на пульте управления наружного прибора.

- ① При использовании внешнего входного адаптера (PAC-SC36NA-E) (поставляется отдельно) дополните электросхему как показано ниже.
- ② Путём переключения SW7-1 на пульте управления наружного прибора, потребление электроэнергии (по сравнению с обычным потреблением) можно ограничить следующим образом.

	SW7-1	SW2	SW3	Потребление электроэнергии
Функция пониженного электропотребления	ON	OFF	OFF	100%
		ON	OFF	75%
		ON	ON	50%
		OFF	ON	0% (Останов)

9.3. Восстановление хладагента (откачка)

Перед установкой на новом месте или утилизацией внутреннего/наружного прибора откачайте хладагент из системы в соответствии с описанной ниже процедурой, чтобы хладагент не попал в атмосферу.

- Отключите подачу питания (с помощью автоматического выключателя).
- Подсоедините клапан низкого давления манометрического коллектора к гнезду наполнения (со стороны низкого давления) наружного прибора.
- Полностью перекройте запорный клапан линии подачи жидкости.
- Включите питание (автоматическим выключателем).
 - * После подачи питания удостоверьтесь, что на пульте дистанционного управления не отображается сообщение “CENTRALLY CONTROLLED”. Если отображается сообщение “CENTRALLY CONTROLLED”, то процедуру восстановления хладагента нельзя завершить обычным путем.
 - * Взаимодействие внешнего и внутреннего модулей начинается спустя 3 минуты после включения питания (автоматического выключателя). Начните откачку через 3-4 минуты после включения питания (автоматического выключателя).
- Произведите процедуру сбора хладагента (пробное испытание системы охлаждения).
 - * Нажмите переключатель откачки SWP (кнопочного типа) на пульте управления наружного прибора. Компрессор и вентиляторы (внутреннего и наружного приборов) включатся (начнется операция восстановления хладагента). (Индикаторы LED1 и LED2 на пульте управления наружного прибора загорятся.)
 - * Нажимайте переключатель откачки SWP только при остановленном приборе. Однако, даже если прибор остановлен, а переключатель откачки SWP нажат менее чем через 3 минуты после остановки компрессора, процедура восстановления хладагента будет невозможна. Подождите 3 минуты после останова компрессора, а затем повторно нажмите переключатель откачки SWP.
- Когда показания манометра коллектора составят от 0,05 до 0 МПа [манометр. давление] (прибл. от 0,5 до 0 кгс/см²), полностью перекройте шаровой клапан со стороны подачи газа наружного прибора и сразу остановите наружный прибор.

* При повторном нажатии переключателя откачки SWP прибор прекратит работу.

* Так как прибор автоматически прекращает работу приблизительно через 3 минуты после завершения процедуры восстановления хладагента (индикатор LED1 гаснет, индикатор LED2 горит), быстро перекройте шаровой клапан подачи газа. Однако, если индикатор LED1 горит, а индикатор LED2 не горит и прибор перестал работать, полностью откройте запорный клапан подачи жидкости, потом полностью перекройте его через 3 минуты или более, а затем повторите шаг ⑤. (Полностью откройте шаровой клапан подачи газа.)

* Если сбор охлаждающей жидкости выполнен надлежащим образом (светодиод LED1 выключен, светодиод LED2 горит), прибор останется в выключенном состоянии, пока не будет выключено питание.

* Если удлинительная трубка слишком длинная и в ней содержится большое количество хладагента, выполнение процедуры откачки может оказаться невозможным. В этом случае для сбора хладагента со всей системы используйте оборудование для сбора хладагента.

- ⑦ Отключите питание (с помощью автоматического выключателя), снимите манометрический коллектор и отсоедините трубы подачи хладагента.

⚠ Предупреждение:

При откачке хладагента, прежде чем отсоединить трубки подачи хладагента, следует остановить компрессор.

- Если трубки подачи хладагента отсоединены во время работы компрессора и при открытом запорном (шаровом) клапане, давление в контуре охлаждения может резко возрасти при поступлении воздуха и привести к разрыву трубок, телесному повреждению и т.п.

9.4. Настройка температуры функции усиления ZUBADAN

Функция усиления ZUBADAN позволяет достичь эффективного обогрева при низкой температуре наружного воздуха.

- Переключатели SW9-3 и SW9-4 на пульте управления наружного прибора позволяют выполнить настройку температуры функции усиления ZUBADAN, как показано в таблице ниже.

SW9-3	SW9-4	Наружная температура
OFF	OFF	3°C Не более (настройка по умолчанию)
OFF	ON	0°C Не более
ON	OFF	-3°C Не более
ON	ON	-6°C Не более

10. Управление системой

10.1. Кондиционеры

- Ⓒ SW 1 - 3 до 6
- | | | | | | |
|-----|---|---|---|---|--|
| ON | | | | | |
| OFF | | | | | |
| | 3 | 4 | 5 | 6 | |
- Ⓔ SW 1 - 3 до 6
- | | | | | | |
|-----|---|---|---|---|--|
| ON | | | | | |
| OFF | | | | | |
| | 3 | 4 | 5 | 6 | |
- Ⓖ SW 1 - 3 до 6
- | | | | | | |
|-----|---|---|---|---|--|
| ON | | | | | |
| OFF | | | | | |
| | 3 | 4 | 5 | 6 | |
- Ⓐ Наружный прибор
 Ⓑ Внутренний прибор
 Ⓒ Главный пульт дистанционного управления
 Ⓓ Подчиненный пульт дистанционного управления
 Ⓔ Стандарт 1:1 (Адрес хладагента = 00)
 Ⓖ Одновременный двойник (Адрес хладагента = 01)
 Ⓒ Одновременный тройник (Адрес хладагента = 02)

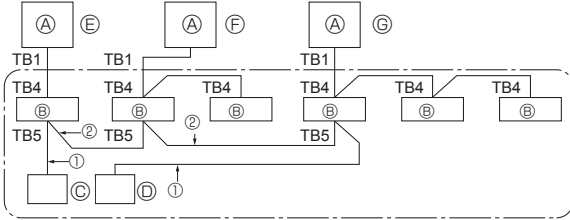


Fig. 10-1

* Установите адрес хладагента, используя ДИП-переключатель на наружном приборе.

- ① Электропроводка от пульта дистанционного управления
 Данный провод подсоединен к TB5 (щит терминалов для пульта дистанционного управления) наружного прибора (неполярный).
 ② При использовании другой схемы группировки системы хладагента. С помощью одного тонкого пульта дистанционного управления МА можно управлять до 16 системами хладагента, как одной группой.

Примечание:

В схеме с одной системой хладагента (двойная/утроенная), выполнение электропроводки ② не требуется.

SW1
 Таблица функций
 <SW1>



	Функция	Работа в соответствии с положением переключателей	
		ON	OFF
SW1 - настройка функций	1 Принудительное размораживание	Пуск	Нормальный
	2 Сброс хронологии ошибок	Сброс	Нормальный
	3 Установка адреса системы охлаждения	Установка адресов наружных блоков - от 0 до 15	
	4		
	5		
	6		

10.2. Тепловой насос с передачей тепла от воздуха к воде

Задать адрес хладагента с помощью микропереключателя наружного прибора.

Настройка функций переключателя SW1

Настройка SW1	Адрес хладагента	Настройка SW1	Адрес хладагента
ON OFF	00	ON OFF	03
ON OFF	01	ON OFF	04
ON OFF	02	ON OFF	05

Примечание:

- а) Можно подключать до 6 приборов.
 б) Все подключаемые приборы должны быть одной модели.
 в) Чтобы настроить микропереключатель внутреннего прибора, см. руководство по установке внутреннего прибора.

11. Спецификации

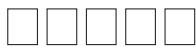
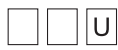
Уровень шума (Замеры выполнены при номинальной рабочей частоте.)

			SHW80VHA	SHW112Y/VHA	SHW140YHA	SHW230YKA2
SPL	Обогрев	дБ(А)	51	52	52	59
	Охлаждение	дБ(А)	50	51	51	58
PWL	Обогрев	дБ(А)	69	70	70	75

12. Серийный номер

■ Серийный номер указан на заводской табличке спецификации.

• SHW230



Последовательные номера для каждого устройства: 00001–99999

U (наружный прибор)

Месяц изготовления: 4, 5, 6, 7, 8, 9, X (10), Y (11), Z (12), 1, 2, 3

Год изготовления (западный календарь) : 2014 → 4, 2015 → 5

• SHW80, 112, 140



Последовательные номера для каждого устройства: 00001–99999

Месяц изготовления: A (1), B (2), C (3), D (4), E (5), F (6), G (7), H (8), J (9), K (10), L (11), M (12)

Год изготовления (западный календарь) : 2014 → 4, 2015 → 5

Название компании: ООО «Мицубиси Электрик (РУС)»

Адрес: 115114, Российская Федерация, г. Москва, ул. Летниковская, д. 2, стр. 1, 5 этаж

Innhold

1. Sikkerhetsforholdsregler.....	136	7. Elektrisk arbeid.....	142
2. Monteringssted.....	137	8. Testkjøring (kun for klimaanlegg).....	144
3. Montere utendørsenheten.....	139	9. Spesialfunksjoner.....	145
4. Montere kjølemiddelrør.....	139	10. Systemstyring.....	146
5. Arbeid med avløpsrør.....	142	11. Spesifikasjoner.....	146
6. Arbeid med vannrør (kun for luft til vann-varmepumpe).....	142		



Merk: Dette symbolmerket gjelder kun EU-land.

Dette symbolet er i samsvar med direktiv 2012/19/EU Artikkel 14 Informasjon for brukere og Vedlegg IX.

Dette produktet fra MITSUBISHI ELECTRIC er utviklet og produsert med kvalitetsmaterialer og -komponenter som kan resirkuleres og brukes på nytt.

Dette symbolet betyr at elektrisk og elektronisk utstyr, når de er ubrukelige, ikke skal kastes sammen med vanlig husholdningsavfall.

Kast dette utstyret på nærmeste miljøstasjon.

I EU er det adskilte oppsamlingsssystemer for brukte elektriske og elektroniske produkter.

Hjelp oss å bevare miljøet!

⚠ Forsiktig:

- Ikke slipp R410A ut i atmosfæren:

1. Sikkerhetsforholdsregler

- ▶ Les alle "Sikkerhetsforholdsreglene" før du monterer enheten.
- ▶ Rapportert til eller få samtykke fra energiselskapet før tilkopling til systemet.
- ▶ PUAH-SHW230YKA2
"Dette utstyret er i samsvar med IEC 61000-3-12 under forutsetning at kortslutningseffekten S_{sc} er større eller lik $S_{sc} (*1)$ på grensenittpunktet mellom brukerens tilførsel og det offentlige systemet. Dette er ansvarlig til montøren eller brukeren av utstyret å sørge for, i konsultasjon med operatøren av distribusjonsnett, om nødvendig, at utstyret er kun tilkoplet en kilde med kortslutningseffekt S_{sc} som er større eller lik $S_{sc} (*1)$ "

Modell	S_{sc} (MVA)
PUAH-SHW230YKA2	1,35

⚠ Advarsel:

Beskriver forholdsregler som må tas for å forhindre fare for at brukeren blir skadet eller dør.

⚠ Forsiktig:

Beskriver forholdsregler som må tas for å forhindre skade på enheten.

Etter at monteringsarbeidet er fullført, må "Sikkerhetsforholdsregler", bruk og vedlikehold av enheten forklares kunden i henhold til informasjonen i brukerhåndboken samt gjennomføre testkjøringen for å være sikker på at anlegget fungerer som det skal. Både monteringshåndboken og brukerhåndboken må gis til, og skal beholdes av, brukeren. Disse håndbøkene må gis videre til påfølgende brukere.

⚡ : Indikerer hvilken del som må jordes.

⚠ Advarsel:

Les merkene som står på hovedenheten nøye.

⚠ Advarsel:

- Enheten må ikke monteres av brukeren. Be en forhandler eller en autorisert tekniker om å montere enheten. Hvis enheten monteres feil, kan det føre til vannlekkasje, elektrisk støt eller brann.
- For monteringsarbeidet må man følge instruksene i monteringshåndboken og bruke de verktøy og rørkomponeenter som er spesifikt laget for å brukes med kjølemiddelet R410A. Kjølemiddelet R410A i HFC-systemet er under et trykk som er 1,6 ganger større enn trykket i vanlige kjølemidler. Hvis det brukes rørkomponeenter som ikke er designet for R410A-kjølemiddel og enheten ikke monteres på korrekt måte, kan rørene sprekke og forårsake skade på eiendom eller personer. I tillegg kan det føre til vannlekkasje, elektrisk støt eller brann.
- Enheten må monteres i henhold til instruksene for å minimere risikoen for skade som følge av jordskjelv, orkan eller sterk vind. En feilmontert enhet kan falle ned og forårsake skade på eiendom eller personer.
- Enheten må monteres forsvarlig på en struktur som tåler dens vekt. Hvis enheten monteres på en ustabil struktur, kan den falle ned og forårsake skade på eiendom eller personer.
- Hvis utendørsenheten monteres i et lite rom, må det tas tiltak for å forhindre at kjølemiddelkonsentrasjonen i rommet overskrider sikkerhetsgrensen, hvis det skulle oppstå en kjølemiddellekkasje. Rådfør deg med en forhandler angående egnede tiltak for å forhindre at den tillatte konsentrasjonen overskrides. Hvis det skulle lekke kjølemiddel slik at konsentrasjonsgrensen overskrides, kan de oppstå skade på grunn av oksygenmangel i rommet.
- Luft ut rommet hvis det lekker kjølemiddel under bruk. Hvis kjølemiddelet kommer i kontakt med ild, kan det bli dannet giftige gasser.
- Alt elektrisk arbeid må utføres av en kvalifisert tekniker i samsvar med lokale forskrifter og instruksene som gis i denne håndboken. Enhetene må få strøm fra dediserte strømlinjer og det må brukes korrekt spenning og vernebrytere. Strømlinjer med utilstrekkelig kapasitet eller feil elektrisk arbeid kan føre til elektrisk støt eller brann.
- Bruk C1220 kopperfosfor, for sømløse rør laget av kopper eller kopperle-

geringer, til å kople sammen kjølemiddelrør. Hvis rørene ikke er korrekt tilkoplet, vil enheten ikke være korrekt jordnet, noe som kan føre til elektrisk støt.

- Bruk kun spesifiserte kabler for tilkopling. Ledningskabler må være sikre uten strekk på klemmekoplingene. Dessuten må tilkoplingskabler ikke skjøtes (med mindre noe annet angis i dette dokumentet). Hvis disse instruksene ikke følges, kan det føre til overoppheting eller brann.
- Dekselet på rekkeklemmepanelet på utendørsenheten må være godt festet. Hvis dekselet er feilmontert og det kommer støv og fuktighet inn i enheten, kan det føre til elektrisk støt eller brann.
- Ved montering eller flytting, eller service på utendørsenheten, må det bare brukes spesifisert kjølemiddel (R410A) i kjølemiddelrørene. Ikke bland den med andre kjølemidler og ikke la det være igjen luft i rørene. Hvis luft blir blandet med kjølemiddelet, kan det forårsake unormalt høyt trykk i kjølemiddelrøret, og det kan føre til eksplosjon og andre farer. Bruk av andre kjølemidler enn det som er spesifisert for systemet vil forårsake mekanisk svikt, systemsvikt eller enhetshavari. I verste fall kan dette føre til at det blir veldig vanskelig å feste produktet på en sikker måte.
- Bruk kun tilbehør som er godkjent av Mitsubishi Electric og be en forhandler eller autorisert tekniker om å montere det. Hvis tilbehør monteres feil, kan det føre til vannlekkasje, elektrisk støt eller brann.
- Enheten må ikke endres. Kontakt en forhandler hvis det er behov for reparasjon. Hvis endringer eller reparasjoner ikke utføres riktig, kan det føre til vannlekkasje, elektrisk støt eller brann.
- Brukeren må aldri prøve å reparere enheten eller å overføre den til et annet sted. Hvis enheten monteres feil, kan det føre til vannlekkasje, elektrisk støt eller brann. Hvis det er behov for å reparere eller flytte utendørsenheten, må du be en forhandler eller autoriserte tekniker om å gjøre det.
- Kontroller om det lekker kjølemiddel etter at monteringen er fullført. Hvis det lekker kjølemiddel inn i rommet og det kommer i kontakt med flammen på et varmeapparat eller bærbar komfyr, vil det bli dannet giftige gasser.

1.1. Før montering

⚠ Forsiktig:

- Ikke bruk enheten i et uvanlig miljø. Hvis utendørsenheten monteres i områder som er eksponert for damp, volatil olje (inklusive maskinolje) eller svovelgass, områder eksponert mot høyt saltinnhold som ved sjøen, eller områder der enheten vil bli dekket av snø, kan ytelsen bli betydelig redusert og interne deler kan bli skadet.
- Ikke monter enheten der det kan lekke, produseres, flyte eller akkumuleres brennbar gass. Hvis brennbar gass akkumuleres rundt enheten, kan det føre til brann eller eksplosjon.
- Utendørsenheten produserer kondens under oppvarming. Sørg for drene-

ring rundt utendørsenheten hvis slik kondens sannsynligvis vil forårsake skade.

- Ved montering av enheten i et sykehus eller kommunikasjonskontor, må du være forberedt på støy og elektronisk interferens. Vekselrettere, husholdningsapparater, høyfrekvens medisinsk utstyr og radiokommunikasjonsutstyr kan forårsake at utendørsenheten får funksjonsfeil eller svikter. Utendørsenheten kan også påvirke medisinsk utstyr, forstyrre medisinsk pleie og kommunikasjonsutstyr ved å skade visningskvaliteten på skjermer.

1. Sikkerhetsforholdsregler

1.2. Før montering (flytting)

⚠ Forsiktig:

- Vær meget forsiktig ved transport eller montering av enhetene. Det trengs 2 eller flere personer til å håndtere enheten, ettersom den veier 20 kg eller mer. Ikke ta tak i emballasjebåndene. Bruk vernehansker når du tar enheten ut av emballasjen og flytter den, ettersom du kan skade hendene på ribbene eller på kanten av andre deler.
- Sørg for å kaste emballasjen på en forsvarlig måte. Emballasjemateriale, som spiker eller andre deler av metall eller tre, kan forårsake stikksår eller andre skader.

1.3. Før elektrisk arbeid

⚠ Forsiktig:

- Husk å montere vernebrytere. Hvis de ikke monteres, kan det føre til elektrisk støt.
- Bruk standard kabler med tilstrekkelig kapasitet som strømledninger. Hvis ikke, kan det føre til kortslutning, overoppheting eller brann.
- Ikke ha strekk i kablene ved montering av strømledninger. Hvis kontaktene løsner, kan kablene bryte eller sprekke, med overoppheting eller brann som følge.

1.4. Før testkjøringen starter (kun for klimaanlegg)

⚠ Forsiktig:

- Slå på hovedstrømbryteren minst 12 timer før anlegget tas i bruk. Hvis du starter kjøringen umiddelbart etter å ha slått på strømbryteren, kan det føre til alvorlig skade på interne deler. La hovedstrømbryteren stå på hele tiden i brukssesongen.
- Før bruk må du kontrollere at alle paneler, vern og andre beskyttende deler er korrekt montert. Deler som roterer, er varme eller har høy spenning kan forårsake personskade.

1.5. Bruk av kjølemiddelet R410A i utendørsenhet

⚠ Forsiktig:

- Bruk C1220 kopperfosfor, for sømløse rør laget av kopper eller kopperlegeringer, til å kople sammen kjølemiddelrør. Sørg for at rørene er rene innvendig og ikke inneholder noen skadelige kontaminanter, som for eksempel svovelforbindelser, oksidanter, rusk eller støv. Bruk rør med den spesifiserte tykkelsen. (Se 4.1.) Vær oppmerksom på følgende hvis det gjenbrukes rør som har inneholdt R22-kjølemiddel.
 - Skift ut eksisterende leppemuttre og gjør de koniske utvidede delene koniske igjen.
 - Ikke bruk tynne rør. (Se 4.1.)
- Oppbevar rørene som skal brukes i monteringen innendørs og la begge ender av rørene være forseglede inntil like før hardlodding. (La alburør osv. ligge i emballasjen.) Hvis det kommer støv, rusk eller fuktighet inn i kjølemiddelrørene, kan det føre til oljeforringelse eller kompressorhavari.
- Bruk esterolje, eterolje, alkylbenzenolje (liten mengde) som kjøleoljen som påføres de konisk utvidede delene. Hvis det blandes mineralolje inn i kjøleoljen, kan det føre til oljeforringelse.

- Sokkelen og tilbehøret til utendørsenheten må periodevis kontrolleres for å se om noe har kommet løst, fått sprekker eller annen skade. Hvis slike skader ikke repareres, kan enheten falle ned og forårsake skade på eiendom eller personer.
- Ikke vask utendørsenheten med vann. Det kan føre til elektrisk støt.
- Stram alle leppemuttre i henhold til spesifikasjon med en momentnøkkel. Hvis det strammes for mye, kan leppemutteren sprekke etter en lengre periode og kjølemiddel lekker ut.

- Husk å jorde enheten. Du må ikke kople jordledningen til gass- eller vannrør, lynavledere eller jordledninger i telefonanlegget. Hvis enheten ikke er skikkelig jordet, kan det føre til elektrisk støt.
- Bruk vernebrytere (jordfeilavbryter, isoleringsbryter (+B-sikring) og vernebryter inne i støpt hus) med den spesifiserte kapasiteten. Hvis vernebryterkapasiteten er større enn den spesifiserte kapasiteten, kan det føre til svikt eller brann.

- Brytere må ikke berøres med våte hender. Det kan føre til elektrisk støt.
- Ikke berør kjølemiddelrørene med bare hender under bruk. Kjølemiddelrørene er varme eller kalde, avhengig av tilstanden til det flytende kjølemiddelet. Hvis du berører rørene, kan det føre til brannskade eller forfrysning.
- Vent i minst fem minutter før du slår av hovedstrømbryteren etter å ha slått av anlegget. Hvis ikke, kan det føre til vannlekkasje eller funksjonssvikt.

- Ikke bruk noe annet kjølemiddel enn R410A. Hvis det brukes et annet kjølemiddel, vil klorinen gjøre at oljen forringes.
- Bruk følgende verktøy, som er spesifikt beregnet på bruk med kjølemiddelet R410A.

Følgende verktøy er nødvendig for å bruke kjølemiddelet R410A. Kontakt nærmeste forhandler hvis du har spørsmål.

Verktøy (for R410A)	
Målermanifold	Flammeverktøy
Mateslange	Størrelsesjusteringsmåler
Gasslekkasjedetektor	Vakuumpumpeadapter
Momentnøkkel	Elektronisk matevekt for kjølemiddel

- Bruk korrekt verktøy. Hvis det kommer støv, rusk eller fuktighet inn i kjølemiddelrørene, kan det føre til forringelse av kjøleoljen.
- Ikke bruk en matesylinder. Hvis det brukes en matesylinder, vil sammensetningen av kjølemiddelet endres og effektiviteten vil bli lavere.

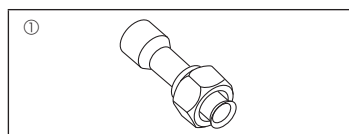


Fig. 1-1

1.6. Tilbehør til utendørsenheten (fig. 1-1) (SHW230)

Delene som vises til venstre er tilbehør til denne enheten, og festes på innsiden av servicepanelet.

- ① Forbindelsesrør.....x1

2. Monteringssted

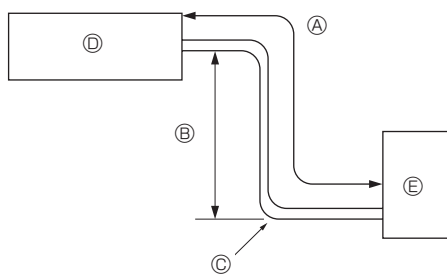


Fig. 2-1

2.1. Kjølemiddelrør (fig. 2-1)

► Kontroller at høydeforskjellen mellom innendørs- og utendørsenhetene, lengden på kjølemiddelrør og antall rørbøyer er innenfor grensene som står nedenfor.

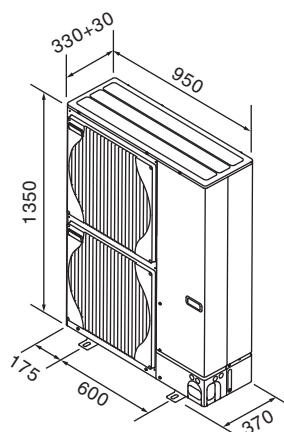
Modeller	Ⓐ Rørlengde (én vei)	Ⓑ Høydeforskjell	Ⓒ Antall rørbøyer (én vei)
SHW80, 112, 140	2 m - 75 m	Maks. 30 m	Maks. 15
SHW230	2 m - 80 m	Maks. 30 m	Maks. 15

- Begrensningen på høydeforskjellen gjelder uansett hvilken enhet, innendørs eller utendørs, som står høyere.

- Ⓐ Innendørsenhet
- Ⓑ Utendørsenhet

2. Monteringssted

■ SHW80, 112, 140



■ SHW230

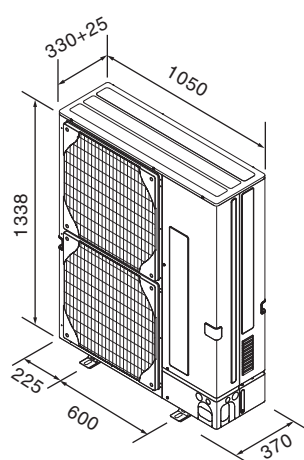


Fig. 2-2

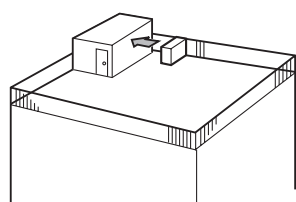


Fig. 2-3

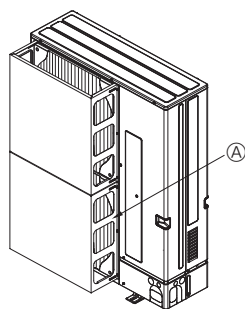


Fig. 2-4

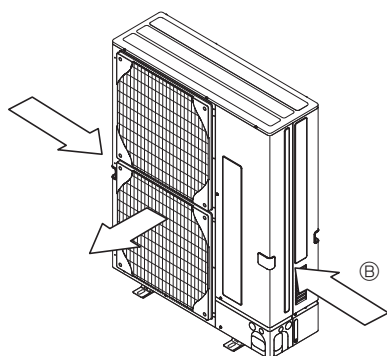


Fig. 2-5

2.2. Velge stedet for montering av utendørsenheten

- Unngå steder som er eksponert for direkte sollys eller andre varmekilder.
- Velg et sted hvor støy som kommer fra enheten ikke vil være til plage for naboene.
- Velg et sted som gir lett tilgang for rør og ledninger til strømkilde og innendørsenheten.
- Unngå steder der det kan lekke, produseres, flyte eller akkumuleres brennbar gass.
- Vær oppmerksom på at det kan komme vann ut av enheten når den er i bruk.
- Velg et plant sted som kan bære vekten og tåle vibrasjonen til enheten.
- Unngå steder der enheten kan bli dekket av snø. I områder der det kan ventes tungt snøfall, må det tas spesielle forholdsregler som å heve monteringsstedet eller montere en hette på luftinntaket, for å hindre at snø blokkerer luftinntaket eller blåser rett mot det. Dette kan redusere luftstrømmen og føre til funksjonssvikt.
- Unngå steder som eksponeres for olje, damp eller svovelgass.
- Bruk transporthåndtakene på utendørsenheten til å transportere enheten. Hvis enheten bæres etter bunnen, kan hender eller fingre komme i klem.

2.3. Utvendige dimensjoner (utendørsenhete) (fig. 2-2)

2.4. Ventilasjons- og servicerom

2.4.1. Montering på sted med mye vind

Ved montering av utendørsenheten på et tak eller annet sted som ikke er skjermet fra vinden, må luftutløpet til enheten plasseres slik at det ikke er direkte eksponert for sterk vind. Sterk vind som kommer inn i luftutløpet kan forhindre normal luftstrøm, noe som kan føre til en funksjonsfeil.

Nedenfor finner du tre eksempler på forholdsregler mot sterk vind.

- ① Vend luftutløpet mot nærmeste tilgjengelig vegg, omtrent 50 cm unna veggen. (Fig. 2-3)
- ② Monter en luftkanal (ekstrautstyr) hvis enheten monteres på et sted der sterk vind fra en orkan osv. kan komme direkte inn i luftutløpet. (Fig. 2-4)
 - Ⓐ Veiledning for luftbeskyttelse
- ③ Posisjoner enheten slik at luftutløpet står vinkelrett på den rådende vindretningen for årstiden, hvis det er mulig. (Fig. 2-5)
 - Ⓑ Vindretning

2.4.2. Ved montering av en enkel utendørsenhete (se siste side)

Minimumsdimensjoner er som følger, unntatt der det er indikert Maks., som står for maksimumsdimensjoner.

Se tallene for hvert tilfelle.

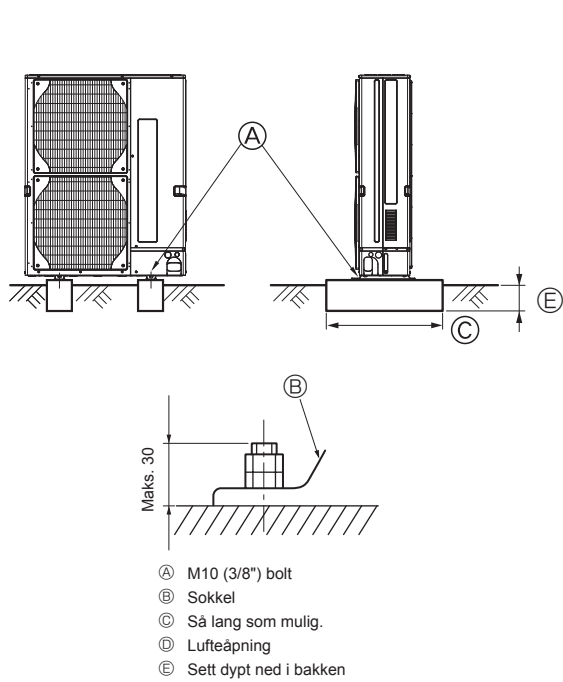
- ① Hindringer kun bak (fig. 2-6)
- ② Hindringer kun bak og over (fig. 2-7)
- ③ Hindringer kun bak og på sidene (fig. 2-8)
- ④ Hindringer kun foran (fig. 2-9)
 - * Ved bruk av luftløpskanaler (ekstrautstyr) er klaringen 500 mm eller mer.
- ⑤ Hindringer kun foran og bak (fig. 2-10)
 - * Ved bruk av luftløpskanaler (ekstrautstyr) er klaringen 500 mm eller mer.
- ⑥ Hindringer kun bak, på sidene og over (fig. 2-11)
 - Ikke monter luftløpskanaler for oppadgående luftstrøm.

2.4.3. Ved montering av flere utendørsenheter (se siste side)

La det være 10 mm eller mer mellom enhetene.

- ① Hindringer kun bak (fig. 2-12)
- ② Hindringer kun bak og over (fig. 2-13)
 - Det kan ikke monteres mer enn 3 enheter ved siden av hverandre. I tillegg må det være rom mellom dem som vist.
 - Ikke monter luftløpskanaler for oppadgående luftstrøm.
- ③ Hindringer kun foran (fig. 2-14)
 - * Ved bruk av luftløpskanaler (ekstrautstyr) er klaringen 1000 mm eller mer.
- ④ Hindringer kun foran og bak (fig. 2-15)
 - * Ved bruk av luftløpskanaler (ekstrautstyr) er klaringen 1000 mm eller mer.
- ⑤ Plassering av enkel parallellenhete (fig. 2-16)
 - * Ved bruk av luftløpskanaler (ekstrautstyr) montert for oppadgående luftstrøm, er klaringen 1000 mm eller mer.
- ⑥ Plassering av flere parallellenheter (fig. 2-17)
 - * Ved bruk av luftløpskanaler (ekstrautstyr) montert for oppadgående luftstrøm, er klaringen 1500 mm eller mer.
- ⑦ Plassering av stablede enheter (fig. 2-18)
 - Enhetene kan stables opptil 2 enheter i høyden.
 - Det kan ikke monteres mer enn 2 stablede enheter ved siden av hverandre. I tillegg må det være rom mellom dem som vist.

3. Montere utendørsenheten



(mm)

- Sørg for å montere enheten på et solid, plant underlag. Det vil forhindre klaprelyder under drift. (Fig. 3-1)

<Fundamentspesifikasjoner>

Fundamentbolt	M10 (3/8")
Betongtykkelse	120 mm
Boltens lengde	70 mm
Vektbærende kapasitet	320 kg

- Sørg for at lengden på fundamentboltene er innenfor 30 mm fra fundamentbunnen.
- Fest sokkelen til enheten forsvarlig med fire M10-fundamentbolter på robuste steder.

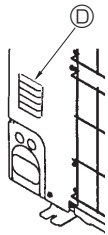
Montere utendørsenheten

- Ikke blokker luftåpningen. Hvis luftåpningen blokkeres, vil driften bli hindret og det kan føre til funksjonssvikt.
- I tillegg til enhetssokkelen, bruk monteringshullene på baksiden av enheten til å feste vauere osv. hvis det er nødvendig for å montere enheten. Bruk selvtapende skruer (ø5 × 15 mm eller mindre) og monter på stedet.

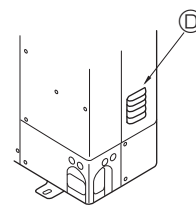
⚠ Advarsel:

- Enheten må monteres forsvarlig på en struktur som tåler dens vekt. Hvis enheten monteres på en ustabil struktur, kan den falle ned og forårsake skade på eiendom eller personer.
- Enheten må monteres i henhold til instruksene for å minimere risikoen for skade som følge av jordskjelv, orkan eller sterk vind. En feilmontert enhet kan falle ned og forårsake skade på eiendom eller personer.

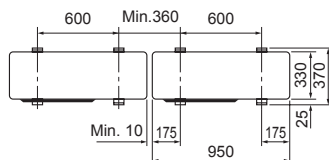
■ SHW80, 112, 140



■ SHW230



■ SHW80, 112, 140



■ SHW230

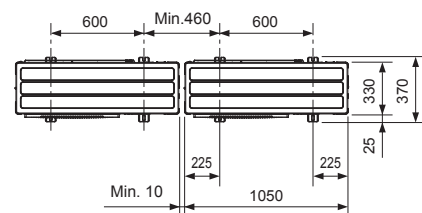


Fig. 3-1

4. Montere kjølemiddelrør

4.1. Forholdsregler for innretninger som bruker kjølemiddelet R410A

- Se 1.5. for forholdsregler som ikke står nedenfor om bruk av utendørsenheten med kjølemiddelet R410A.
- Bruk esterolje, eterolje, alkylbenzenolje (liten mengde) som kjøleoljen som påføres de konisk utvidede delene.
- Bruk C1220 kopperfosfor, for sømløse rør laget av kopper eller kopperlegeringer, til å kople sammen kjølemiddelrør. Bruk kjølemiddelrør som har den tykkelsen som er spesifisert i tabellen nedenfor. Sørg for at rørene er rene innvendig og ikke inneholder noen skadelige kontaminanter, som for eksempel svovelforbindelser, oksidanter, rusk eller støv. Bruk alltid hardlodding uten oksidering ved hardlodding av rørene, ellers kan kompressoren bli skadet.

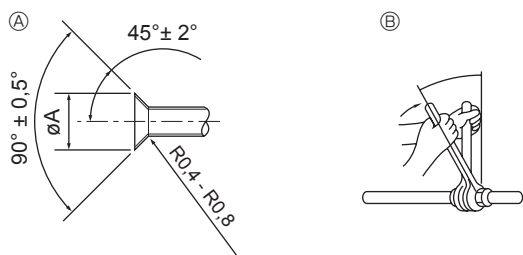
⚠ Advarsel:

Ved montering eller flytting, eller service på utendørsenheten, må det bare brukes spesifisert kjølemiddel (R410A) i kjølemiddelrørene. Ikke bland den med andre kjølemidler og ikke la det være igjen luft i rørene. Hvis luft blir blandet med kjølemiddelet, kan det forårsake unormalt høyt trykk i kjølemiddelrøret, og det kan føre til eksplosjon og andre farer. Bruk av andre kjølemidler enn det som er spesifisert for systemet vil forårsake mekanisk svikt, systemsvikt eller enhetshavari. I verste fall kan dette føre til at det blir veldig vanskelig å feste produktet på en sikker måte.

Rørstørrelse (mm)	ø6,35	ø9,52	ø12,7	ø15,88	ø19,05	ø22,2	ø25,4	ø28,58
Tykkelse (mm)	0,8	0,8	0,8	1,0	1,0	1,0	1,0	1,0

- Ikke bruk rør som er tynnere enn dem spesifisert ovenfor.
- Bruk 1/2 H- eller H-rør hvis diameteren er 19,05 mm eller større.

4. Montere kjølemiddelrør



- Ⓐ Leppeskjæringsdimensjoner
Ⓑ Tiltrekingsmoment for leppemutter

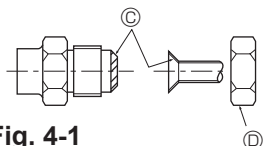


Fig. 4-1

Ⓐ (Fig. 4-1)

Kopperrør U.D. (mm)	Leppedimensjoner øA-dimensjoner (mm)
ø6,35	8,7 - 9,1
ø9,52	12,8 - 13,2
ø12,7	16,2 - 16,6
ø15,88	19,3 - 19,7
ø19,05	23,6 - 24,0

Ⓑ (Fig. 4-1)

Kopperrør U.D. (mm)	Leppemutter U.D. (mm)	Strammemoment (N·m)
ø6,35	17	14 - 18
ø6,35	22	34 - 42
ø9,52	22	34 - 42
ø12,7	26	49 - 61
ø12,7	29	68 - 82
ø15,88	29	68 - 82
ø15,88	36	100 - 120
ø19,05	36	100 - 120

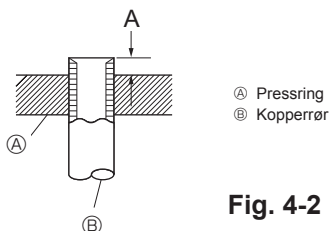
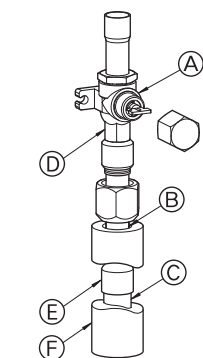
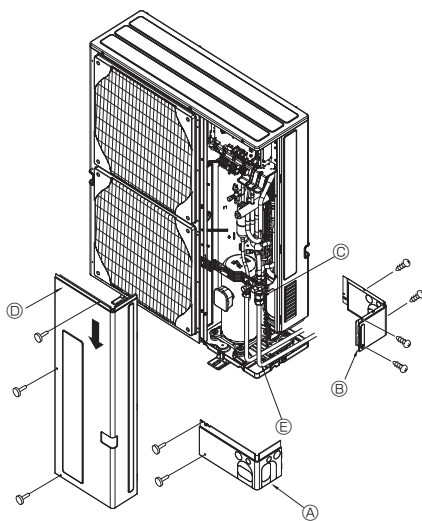


Fig. 4-2



- Ⓐ Stengeventil
Ⓑ Tetningsdel
Ⓒ Lokalrør
Ⓓ Dobbeltnøkkeldel
Ⓔ Forbindelsesrør
Ⓕ Rørdeksel

Fig. 4-3



- Ⓐ Fremre rørdeksel
Ⓑ Rørdeksel
Ⓒ Stengeventil
Ⓓ Servicepanel
Ⓔ Bøyradius : 100 mm - 150 mm

Fig. 4-4

4.2. Kople til rør (Fig. 4-1)

- Når det brukes kommersielt tilgjengelige rør, skal væske- og gassrør vikles inn i kommersielt tilgjengelig isolasjonsmateriale (varmebestandig til 100°C eller mer med tykkelse på 12 mm eller mer).
- Sørg for å skille varmeisolasjonen for gass- og væsketilførselrør.
- Innendørsdelene av avløpsrøret skal vikles med isolasjonsmateriale laget av polyetylenskum (egenvekt 0,03, tykkelse 9 mm eller mer).
- Påfør et tynt lag med kjølevæskeolje på rør og skjøtseteflater før du strammer leppemutteren. Ⓐ
- Bruk to nøkler til å stramme rørkoplingene. Ⓑ
- Bruk en lekkasjedetektor eller såpevann til å kontrollere for gasslekkasjer etter at koplingene er fullført.
- Påfør kjølemaskinolje på hele leppeseteflaten. Ⓒ
- Bruk leppemutterne for følgende rørstørrelser. Ⓓ

		SHW80, 112, 140	SHW230
Gassside	Rørstørrelse (mm)	ø15,88	ø25,4
Væskeside	Rørstørrelse (mm)	ø9,52	ø12,7

- Vær varsom når rørene bøyes, slik at de ikke brytes. Bøyeradius på 100 mm til 150 mm er tilstrekkelig.
- Sørg for at rørene ikke kommer i kontakt med kompressoren. Det kan føre til unormal støy eller vibrasjon.
- Rørene må koples til fra innendørsenheten først.
- Leppemutter må strammes med en momentnøkkel.
- Lag lepper på væskerørene og gassrørene og påfør et tynt lag med kjøleolje (påføres på stedet).
- Når det brukes vanlig rørtetting, se tabell 1 for utvidelse av rør for R410A-kjølemiddel.
- Størrelsejusteringsmåleren kan brukes til å bekrefte A-målene.

Tabell 1 (Fig. 4-2)

Kopperrør U.D. (mm)	A (mm)	
	Flammeverktøy for R410A	Leppeverktøy for R22-R407C
	Clutchtype	
ø6,35 (1/4")	0 - 0,5	1,0 - 1,5
ø9,52 (3/8")	0 - 0,5	1,0 - 1,5
ø12,7 (1/2")	0 - 0,5	1,0 - 1,5
ø15,88 (5/8")	0 - 0,5	1,0 - 1,5
ø19,05 (3/4")	0 - 0,5	1,0 - 1,5

- Ⓓ Bruk følgende fremgangsmåte for tilkopling av rør på gassiden. (Fig. 4-3) (SHW230)
- Hardlodd Ⓒ det medfølgende forbindelsesrøret til utendørsenheten ved bruk av lokalt anskaffede hardloddematerialer og Ⓓ lokale rør uten oksygen.
 - Kople Ⓒ forbindelsesrøret til stengeventilen på gassiden.
Bruk to nøkler til å stramme leppemutteren.
* Hvis rekkefølgen reverseres, kan det lekke kjølemiddel fordi delen blir ødelagt av flammen fra hardloddningen.

4.3. Kjølemiddelrør (Fig. 4-4)

Fjern servicepanelet Ⓓ (3 skruer) og det fremre rørdekslet Ⓐ (2 skruer) og det bakte rørdekslet Ⓑ (2 skruer: SHW80 - 140) (4 skruer: SHW230).

- Kople sammen rørene mellom innendørs- og utendørsenheten når utendørsenhets stengeventil er helt stengt.
- Tøm innendørsenheten og forbindelsesrør for luft ved bruk av vakuüm.
- Etter tilkopling av kjølemiddelrør må du kontrollere de tilkoblede rørene og innendørsenheten for gasslekkasjer. (Se 4.4 Metode for å teste om rør er lufttett)
- En høyeffekts vakuümpumpe brukes ved stengeventilens serviceport til å opprettholde et vakuüm i tilstrekkelig tid (minst én time etter å ha nådd -101 kPa (5 Torr)) for å vakuümtørke rørene innvendig. Kontroller alltid vakuümgraden ved målermanifolden. Hvis det er fuktighet igjen i røret, hender det at vakuümgraden ikke nås på kort tid etter at vakuüm settes på.

Etter vakuümtøking skal stengeventilene åpnes helt (både væske og gass) for utendørsenheten. Dette forbinder kjølevæskesystemene i innendørs- og utendørsenheten.

- Hvis vakuümtøkingen er tilstrekkelig, kan vanddamp bli igjen i kjølemiddelkretsene og forårsake unormalt høy trykkøkning, unormalt lav trykkreduksjon, forringelse av kjølemaskinen på grunn av fuktighet osv.
- Hvis stengeventilene forblir stengt og enheten tas i bruk, vil kompressoren og reguleringsventilene bli skadet.
- Bruk en lekkasjedetektor eller såpevann til å finne eventuelle lekkasjer i rørbindelsesdelene i utendørsenheten.
- Ikke bruk kjølemiddel fra enheten til å tvinge luft ut av kjølemiddelrørene.
- Etter fullført ventilarbeid skal ventillokkene strammes til korrekt moment: 20 til 25 N·m (200 til 250 kgf·cm).
- Hvis du lar være å sette på og stramme lokkene, kan de føre til kjølemiddel-lekkasje. Dessuten må du ikke skade innsiden av ventillokkene ettersom de fungerer som tetninger som forhindrer kjølemiddel-lekkasje.
- Bruk tetningsmiddel til å forsegle endene på varmeisolasjonen rundt rørbindelsesdelene for å forhindre at det kommer vann inn i varmeisolasjonen.

4. Montere kjølemiddelrør

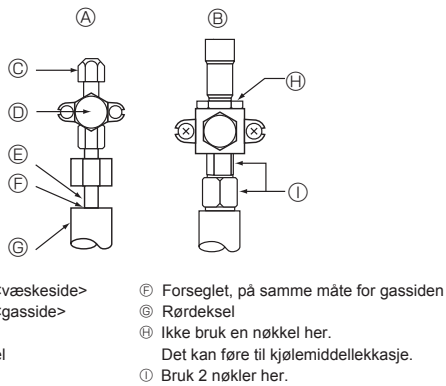


Fig. 4-5

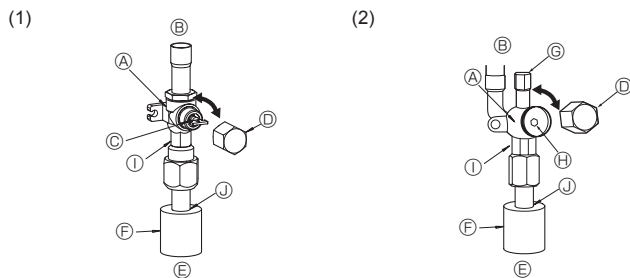


Fig. 4-6

Fig. 4-7

- Ⓐ Ventil
- Ⓑ Enhetsside
- Ⓒ Håndtak
- Ⓓ Lokk
- Ⓔ Lokalrørside
- Ⓕ Rørdeksel
- Ⓖ Serviceport
- Ⓗ Nøkkelhull
- Ⓛ Dobbelnøkkeldel
(Ikke bruk nøkkel andre steder enn på denne delen. Det kan føre til lekkasje av kjølemiddel.)
- Ⓜ Tettingsdel
(Forsegl enden av varmeisolasjonsmaterialet ved rørkopplingsdelen med det tettingsmaterialet du har til rådighet, slik at vann ikke kan komme inn i varmeisolasjonsmaterialet.)

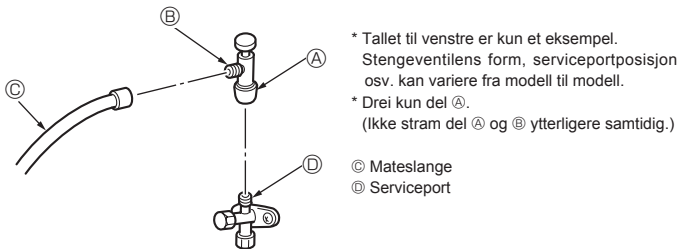


Fig. 4-8

4.6. Fylling av kjølemiddel

- Påfyll av ekstra kjølemiddel er ikke nødvendig hvis rørlengden er under 30 m.
- Hvis rørlengden er over 30 m, må enheten fylles med ekstra R410A-kjølemiddel i henhold til de tillatte rørlengdene i tabellen nedenfor.
- * Når enheten er stanset, fyller du på ekstra kjølemiddel gjennom væskestengeventilen etter at rørforlengerne og innendørsenheten er blitt satt i vakuum. Når enheten er i bruk, fyller du kjølemiddel i tilbakeslagsventilen for gass ved bruk av en sikkerhetsmater. Ikke fyll kjølemiddel direkte i tilbakeslagsventilen.

Modell	Tillatt rørlengde	Tillatt vertikal forskjell	Menge kjølemiddel ved første påfylling	Påfylling av ekstra mengde kjølemiddel			
				31 - 40 m	41 - 50 m	51 - 60 m	61 - 75 m
SHW80, 112, 140	2 m - 75 m	Maks. 30 m	5,5 kg	0,6 kg	1,2 kg	1,8 kg	2,4 kg

Modell	Tillatt rørlengde	Tillatt vertikal forskjell	Menge kjølemiddel ved første påfylling	Driftsmetode	Væskerørstørrelse	Påfylling av ekstra mengde kjølemiddel					
						21 - 30 m	31 - 40 m	41 - 50 m	51 - 60 m	61 - 70 m	71 - 80 m
SHW230	2 m - 80 m*1	Maks. 30 m	7,1 kg	ATW	φ 12,7	–	1,4 kg	2,8 kg	4,2 kg	5,6 kg	7,0 kg
					φ 9,52	–	–	0,8 kg	1,7 kg	2,6 kg	3,5 kg
				ATA / AHU	φ 12,7	1,4 kg	2,8 kg	4,2 kg	5,6 kg	7,0 kg	8,4 kg
					φ 9,52	–	0,8 kg	1,7 kg	2,6 kg	3,5 kg	4,4 kg

*1. Sett kontrollpanelets SW8-2 på ON (på) når rørlengden er 10 m eller mindre (SHW230YKA2R2 eller nyere).

4.4. Metode for å teste om kjølemiddelrør er lufttett (Fig. 4-5)

- (1) Kople til testverktøyene.
 - Sørg for at stengeventilene Ⓐ Ⓑ er stengt. Du må heller ikke åpne dem.
 - Sett trykk på kjølemiddellinjene gjennom serviceporten Ⓒ i væskestengeventilen Ⓐ.
- (2) Ikke sett på alt det spesifiserte trykket med en gang. Øk trykket litt av gangen.
 - ① Sett trykket på 0,5 MPa (5 kgf/cm²G), vent 5 minutter og forsikre deg om at trykket ikke øker.
 - ② Sett trykket på 1,5 MPa (15 kgf/cm²G), vent 5 minutter og forsikre deg om at trykket ikke øker.
 - ③ Øk trykket til 4,15 MPa (41,5 kgf/cm²G) og mål omgivelsestemperaturen og kjølemiddeltrykket.
- (3) Hvis det spesifiserte trykket holder seg i omtrent 1 dag og ikke synker, har rørene bestått testen og er uten lekkasjer.
 - Hvis omgivelsestemperaturen endres med 1°C, vil trykket endre seg med omtrent 0,01 MPa (0,1 kgf/cm²G). Foreta de nødvendige korreksjonene.
- (4) Hvis trykket faller i trinn (2) eller (3), finnes det en gasslekkasje. Se etter kilden til gasslekkasjen.

4.5. Metode for åpning av stengeventilen.

Metoden som brukes til å åpne stengeventilen varierer med utendørsmodellen. Bruk riktig metode til å åpne stengeventilene.

- (1) Gasside (Fig. 4-6)
 - ① Fjern lokket, trekk håndtaket mot deg og dreii 1/4 omdreining mot klokken for å åpne.
 - ② Sørg for at stengeventilen er helt åpen, skyv håndtaket og dreii lokket tilbake til utgangsstillingen.
- (2) Væskeside (Fig. 4-7)
 - ① Fjern lokket og dreii ventilstangen mot klokken så langt den går, ved å bruke en 4 mm sekskantnøkkel. Slutt å dreie når den treffer sperren. (φ9,52: ca. 10 omdreininger)
 - ② Sørg for at stengeventilen er helt åpen, skyv håndtaket og dreii lokket tilbake til utgangsstillingen.

Kjølemiddelrør er innpakket for beskyttelse

- Rørene kan pakkes inn for beskyttelse opptil en diameter på φ90 før eller etter tilkopling av rørene. Skjær ut utstøterområdet i rørdekslet ved å følge sporet og pakk inn rørene.

Rørinntaksåpning

- Bruk kitt eller tettingsmasse til å forsegle rørinntaket rundt rørene slik at det ikke blir igjen noen åpning. (Hvis åpningene ikke tettes, kan det oppstå støv eller komme vann og støv inn i enheten, med havari som resultat.)

Forholdsregler ved bruk av fylleventil (Fig.4-8)

Ikke stram serviceporten for mye når den monteres. Hvis du gjør det, kan ventilinnsatsen bli deformert, komme løs og forårsake en gasslekkasje.

Etter å ha satt del Ⓒ i ønsket retning, skal du dreie kun del Ⓐ og stramme den. Ikke stram del Ⓐ og Ⓑ ytterligere samtidig etter stramming av del Ⓐ.

⚠ Advarsel:

Når man installerer enheten, må kjølemiddelrørene koples godt til før man starter kompressoren.

4. Montere kjølemiddelrør

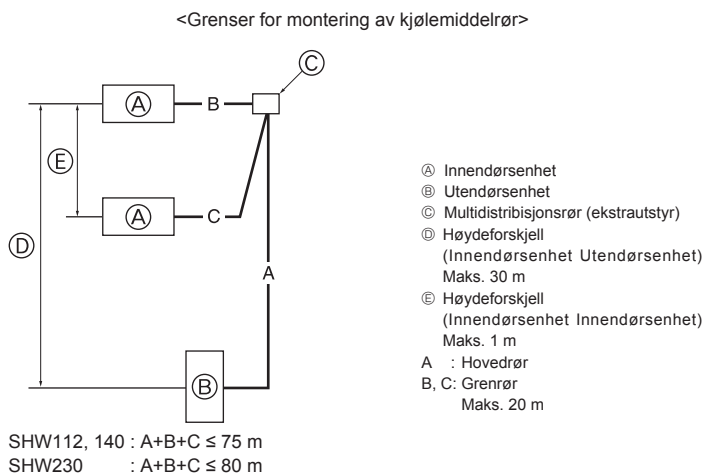


Fig. 4-9

5. Arbeid med avløpsrør

Kopling for utendørsenhetens avløpsrør

PUHZ-SHW-serien kan ikke kobles til et avløpsrør på grunn av spesifikasjoner for kalde distrikter.

6. Arbeid med vannrør (kun for luft til vann-varmepumpe)

Minimum vannmengde

Følgende vannmengde er nødvendig i vannkretsen.

Modell	Minimum vannmengde (L)
SHW80	34
SHW112	48
SHW140	60
SHW230	99

Når du bruker enheten i kjølemodus ved lave temperaturer (under 0 °C), må du påse at du har beskyttet enheten mot kulden, f.eks. ved å bruke kjølevæske.

7. Elektrisk arbeid

7.1. Utendørsenhet (Fig. 7-1, Fig. 7-2)

- ① Fjern servicepanelet.
- ② Kople til kablene med henvisning til Fig. 7-1 og Fig. 7-2.

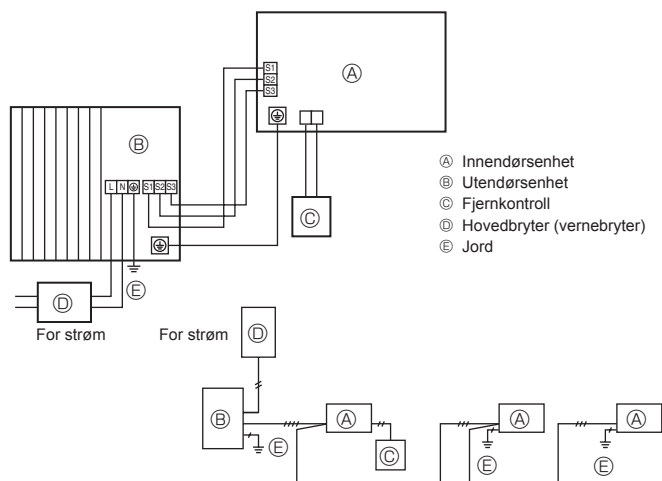


Fig. 7-1

Merk: Kun for luft til vann-varmepumpe

Når flere innendørsenheter (hydrobokser) er koplet til utendørsenheten, må PCB på en av innendørsenhetene koples til utendørsenheten (S1, S2, S3).

Det er umulig å kople PCBene på flere innendørsenheter til utendørsenheten.

4.7. For dobbelt-/trippel-/kvadrupelkombinasjon (Fig. 4-9) (kun for klimaanlegg)

Når denne enheten brukes som en FREE COMPO MULTI-enhet, må kjølemiddelrør monteres med begrensningene indikert i tegningen til venstre. I tillegg, hvis restriksjonene vil bli overskredet, eller hvis det kommer til å være kombinasjoner av innendørs- og utendørsenheter, må du se monteringsinstruksene for innendørsenheten for å finne detaljer om monteringen.

Utendørsenhet	Tillatt total rørlengde A+B+C	Ufyllt rørlengde A+B+C
SHW112, 140	75 m eller mindre	30 m eller mindre
SHW230	80 m eller mindre	30 m eller mindre

Utendørsenhet	B-C	Antall bøyninger
SHW112, 140, 230	8 m eller mindre	Innen 15

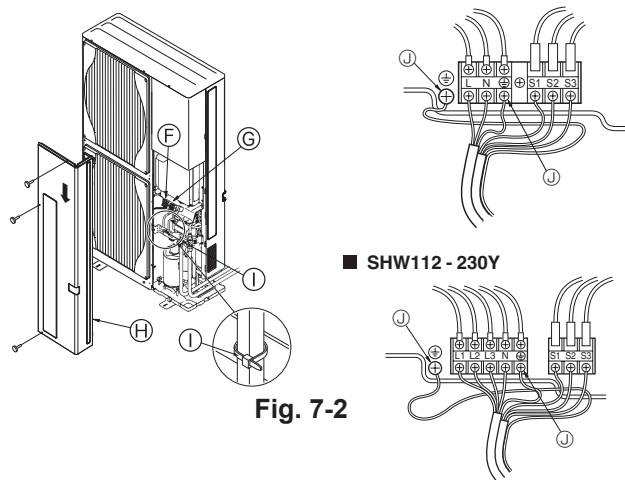


Fig. 7-2

- ① Rekkeklemme
 ② Innendørs/utendørs tilkoplingsrekkeklemme (S1, S2, S3)
 ③ Servicepanel
 ④ Klemme
 ⑤ Jordterminal
 * Klem kablene slik at de ikke kommer i kontakt med midten av servicepanelet eller gassventilen.

Merk: Hvis vernedekselet på koplingsboksen er fjernet under service, må det settes på igjen.

⚠ Forsiktig: Husk å montere N-linje. Uten N-linje kan enheten bli skadet.

7. Elektrisk arbeid

7.2. Feltelektriske ledninger

Utendørsenhet-modell		SHW80V	SHW112V	SHW112, 140Y	SHW230Y
Utendørsenhets strømkilde		~/N (enkel), 50 Hz, 230 V	~/N (enkel), 50 Hz, 230 V	3N~ (3-fase 4-ledninger), 50 Hz, 400 V	3N~ (3-fase 4-ledninger), 50 Hz, 400 V
Utendørsenhets inngangskapasitet Hovedbryter (avbryter) *1		32 A	40 A	16 A	25 A
Ledninger Ledning nr. x tykkelse (mm ²)	Utendørsenhets strømkilde	3 x Min. 4	3 x Min. 6	5 x Min. 1,5	5 x Min. 4
	Innendørsenhet-utendørsenhet	*2 3 x 1,5 (Polar)	3 x 1,5 (Polar)	3 x 1,5 (Polar)	Kabellengde 50 m: 3x4 (Polar)/ Kabellengde 80 m: 3x6 (Polar)
	Innendørsenhet-utendørsenhet jord	*2 1 x Min. 1,5	1 x Min. 1,5	1 x Min. 1,5	1 x Min. 2,5
	Fjernkontroll - innendørsenhet	*3 2 x 0,3 (ikke-polar)	2 x 0,3 (ikke-polar)	2 x 0,3 (ikke-polar)	2 x 0,3 (ikke-polar)
Nominell kret- syttelse	Utendørsenhet L-N (enkel)	230 VAC	230 VAC	230 VAC	230 VAC
	Utendørsenhet L1-N, L2-N, L3-N (3-fase)	230 VAC	230 VAC	230 VAC	230 VAC
	Innendørsenhet-utendørsenhet S1-S2	230 VAC	230 VAC	230 VAC	230 VAC
	Innendørsenhet-utendørsenhet S2-S3	24 VDC	24 VDC	24 VDC	24 VDC
	Fjernkontroll - innendørsenhet	*4 12 VDC	12 VDC	12 VDC	12 VDC

*1. Det skal følge med en avbryter med minst 3,0 mm kontaktseparasjon i hver pol. Bruk avbryter for uønsket jordkontakt (NV).

Sørg for at lekkasjestrømvavbryteren er kompatibel med høyere harmoniske oversvingninger.

Bruk alltid en lekkasjestrømvavbryter som er kompatibel med høyere harmoniske oversvingninger, ettersom denne enheten er utstyrt med en vekselretter.

Bruk av en utilstrekkelig avbryter kan forårsake at vekselretteren fungerer på feil måte.

*2. (SHW80 - 140)

Maks. 45 m

Hvis det brukes 2,5 mm², maks. 50 m

Hvis det brukes 2,5 mm² og S3 er separat, maks. 80 m

(SHW230)

Maks. 80 m Total maks. inklusive alle innendørs-utendørsforbindelser er 80 m.

• Bruk en kabel for S1 og S2 og en annen for S3, som vist i bildet.



*3. 10 m-ledningen er festet til fjernkontrolltilbehøret.

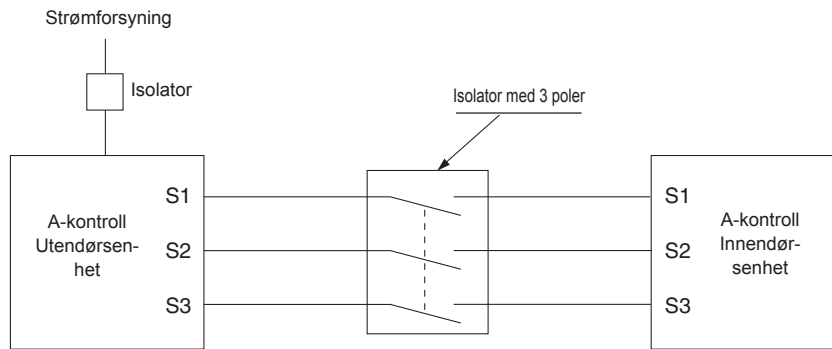
*4. Tallene er IKKE alltid mot jord.

S3-klemmen har 24 VDC mot S2-klemmen. Mellom S3 og S1 er imidlertid disse klemmene IKKE elektrisk isolert av transformatoren eller en annen enhet.

Merknader: 1. Ledninger må være i samsvar med gjeldende lokalt og nasjonalt regelverk.

2. Strømledninger og forbindelsesledninger mellom innendørs- og utendørsenhet skal ikke være lettere enn fleksibel ledning mantlet med polyklortri fluoretylenplast. (Design 60245 IEC 57)

3. Bruk en jordledning som er lenger enn de andre ledningene, slik at den ikke frakoples hvis den strammes.



⚠ Advarsel:

- Når det gjelder A-kontrollledningene er det mulighet for høy spenning på S3-klemmen. Dette forårsakes av en design av den elektriske kretsen som ikke har noen elektrisk isolering mellom strømledningen og kommunikasjonssignalledningen. Derfor må hovedstrømbryteren slås av ved service. Og, ikke rør S1-, S2- eller S3-klemmene når strømmen er på. Hvis det brukes isolator mellom innendørs- og utendørsenheten, må den være av typen med 3 poler.
- Når det er kaldere enn -20°C, trenger den minst 12 timer på standby for å varme opp de elektriske delene.

Strømkabelen eller forbindelseskabelen mellom innendørs- og utendørsenheten må aldri skjøtes, for det kan føre til at det oppstår røyk, brann eller kommunikasjonssvikt.

INNENDØRS-UTENDØRS FORBINDELSKABEL (SHW230)

Kabelens tverrsnitt	Trådtykkelse (mm ²)	Antall ledninger	Polaritet	L (m)*6
Rund	2,5	3	Med klokken: S1-S2-S3 * Vær oppmerksom på gul og grønn stripe	(30) *2
Flat	2,5	3	Ikke aktuelt (Fordi midtre ledning ikke har malt omslag)	Ikke aktuelt *5
Flat	1,5	4	Fra venstre mot høyre: S1-åpen-S2-S3	(18) *3
Rund	2,5	4	Med klokken: S1-S2-S3-åpen * Kople S1 og S3 til motsatt vinkel	(30) *4

*1: Strømledninger for elektriske apparater skal ikke være lettere enn design 60245 IEC eller 227 IEC.

*2: I tilfelle kabel med gul og grønn stripe er tilgjengelig.

*3: I tilfelle av vanlig polaritetsforbindelse (S1-S2-S3), er trådtykkelsen 1,5 mm².

*4: I tilfelle vanlig polaritetsforbindelse (S1-S2-S3).

*5: Hvis flate kabler er koplet som dette bildet, kan de brukes opptil 30 m.

*6: Den nevnte kabellengden er kun en referanseverdi.



Den kan være en annen avhengig av tilstanden til installasjonen, luftfuktighet eller materialer osv.

Sørg for å kople innendørs-utendørs-forbindelseskablene direkte til enhetene (ingen mellomliggende koplinger).

Mellomkoplinger kan føre til kommunikasjonsfeil hvis det kommer vann inn i kablene, og forårsake utilstrekkelig isolasjon til jord eller dårlig elektrisk kontakt ved det mellomliggende koplingspunktet.

8. Testkjøring (kun for klimaanlegg)

8.1. Før testkjøring

- ▶ Etter fullført installasjon og kopling av ledninger og rør til innendørs- og utendørsenheter, må du kontrollere om det lekker kjølemiddel, om strøm- eller kontrollledninger er løse, har feil polaritet og at ingen fase er frakoplet i strømforsyningen.
- ▶ Bruk en 500 V megaohm-måler til å kontrollere motstanden mellom strømforsyningsklemmene og jord er minst 1 MΩ.
- ▶ Ikke utfør denne testen på klemmene i kontrollledningene (lavspenningskrets).

⚠ Advarsel:

Ikke bruk utendørsenheten hvis isolasjonsmotstanden er under 1 MΩ.

Isolasjonsmotstand

Etter installasjon eller etter at strømkilden til enheten har vært frakoplet i en lengre periode, vil isolasjonsmotstanden falle til under 1 MΩ fordi det samler seg kjølemiddel i kompressoren. Dette er ikke en produktfeil. Følg denne fremgangsmåten.

1. Fjern ledningene fra kompressoren og mål isolasjonsmotstanden til kompressoren.
2. Hvis isolasjonsmotstanden er under 1 MΩ, er enten kompressoren defekt eller så har det akkumulert seg kjølemiddel i kompressoren.
3. Etter kopling av ledningene til kompressoren vil kompressoren begynne å varme opp etter at strømmen slås på. Mål isolasjonsmotstanden på nytt etter å ha hatt strømmen på i periodene angitt nedenfor.

- Isolasjonsmotstanden faller på grunn av at det samler seg kjølemiddel i kompressoren. Motstanden vil stige til over 1 MΩ etter at kompressoren er varmet opp i 4 timer.
(Tiden som trengs for å varme opp kompressoren varierer med de atmosfæriske forholdene og akkumuleringen av kjølemiddel.)
 - For å bruke kompressoren med kjølemiddel akkumulert i kompressoren må kompressoren varmes opp i minst 12 timer for å forhindre driftsfeil.
4. Hvis isolasjonsmotstanden stiger til over 1 MΩ, er kompressoren ikke defekt.

⚠ Forsiktig:

- Kompressoren vil ikke fungere med mindre strømforsyningens fasekopling er korrekt.
- Slå på strømmen minst 12 timer før anlegget tas i bruk.
- Hvis du tar i bruk anlegget umiddelbart etter å ha slått på hovedstrømbryteren, kan det føre til alvorlig skade på interne deler. La strømbryteren stå på hele tiden i brukssesongen.

▶ Følgende må også kontrolleres.

- Det er ikke noe galt med utendørsenheten. LED1 og LED2 på kontrollpanelet på utendørsenheten blinker når utendørsenheten er defekt.
- Stengeventilene for både gass og væske er helt åpne.
- En beskyttende folie dekker overflaten på Dip-bryterpanelet på kontrollpanelet på utendørsenheten. Fjern den beskyttende folien slik at det blir lett å bruke Dip-bryterne.

8.2. Testkjøring

8.2.1. Bruke SW4 i utendørsenheten

SW4-1	PÅ	Avkjøling
SW4-2	AV	
SW4-1	PÅ	Oppvarming
SW4-2	PÅ	

* Etter testkjøring, sett SW4-1 på OFF (av).

- Etter at strømmen er slått på kan det kanskje høres en liten klukkelyd innenfra utendørsenheten. Den elektroniske ekspansjonsventilen åpnes og lukkes. Det er ikke noe galt med enheten.

- Etter et par sekunder etter at kompressoren starter kan det kanskje høres en klirrelyd innenfra utendørsenheten. Støyen kommer fra tilbakeslagsventilen på grunn av den lille forskjellen i trykket i rørene. Det er ikke noe galt med enheten.

Testkjøringsdriftsmodusen kan ikke endres med Dip-bryter SW4-2 under testkjøringen. (For å skifte driftsmodus fra testkjøring til noe annet under testkjøringen, må testkjøringen stanses med Dip-bryter SW4-1. Etter skifte av driftsmodus kan testkjøringen gjenopptas med bryter SW4-1.)

8.2.2. Bruke fjernkontrollen

Se monteringshåndboken for innendørsenheten.

Merk: Av og til kan damp som lages av defrostingen virke som om det kommer røyk ut av utendørsenheten.

9. Spesialfunksjoner

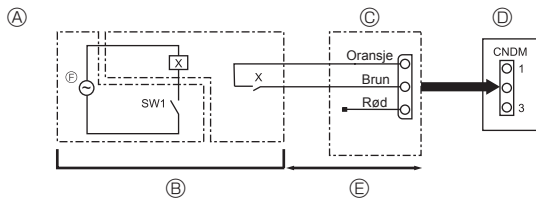


Fig. 9-1

- A Eksempel på koplingskjema (lav støy-modus)
 B Ordnes på stedet
 C Ekstern inngangsadapter (PAC-SC36NA-E)
 X: Relé
 D Utendørsenhets kontrollpanel
 E Maks. 10 m
 F Strømkilde for relé

9.1. Lav støy-modus (modifisering på stedet) (Fig. 9-1)

Ved å utføre følgende modifisering kan støyen som kommer fra utendørsenheten under drift reduseres med omtrent 3-4 dB.

Lav støy-modus vil aktiveres når et tidsur som kan kjøpes fra en butikk, eller kontaktinngangen til en ON (på)/OFF (av)-bryter som settes inn i CNDM-kontakten (ekstrautstyr) på kontrollpanelet på utendørsenheten.

- Kapasiteten varierer i henhold til utetemperatur og -forhold osv.

- Fullfør kretsen som vist ved bruk av den eksterne inngangsadapteren (PAC-SC36NA-E). (Ekstrautstyr)
- SW1 PÅ: Lav støy-modus
SW1 AV: Normal drift

Merk:

Når Dip-bryter SW7-1 og SW9-1 på kontrollpanelet på utendørsenheten er ON (på), må Dip-bryter SW7-1 og SW9-1 stå på OFF (av). (Denne modusen kan ikke brukes sammen med etterspørselsfunksjonen.)

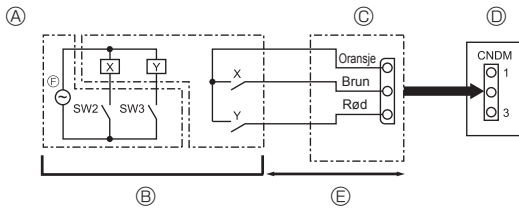


Fig. 9-2

- A Eksempel på koplingskjema (etterspørselsfunksjon)
 B Ordnes på stedet
 C Ekstern inngangsadapter (PAC-SC36NA-E)
 X, Y: Relé
 D Utendørsenhets kontrollpanel
 E Maks. 10 m
 F Strømkilde for relé

9.2. Etterspørselsfunksjon (modifisering på stedet) (Fig. 9-2) (kun for klimaanlegg)

Ved å utføre følgende modifikasjon kan energiforbruket bli redusert med 0-100 % av normalt forbruk.

Etterspørselsfunksjonen vil aktiveres når et tidsur som kan kjøpes fra en butikk, eller kontaktinngangen til en ON (på)/OFF (av)-bryter som settes inn i CNDM-kontakten (ekstrautstyr) på kontrollpanelet på utendørsenheten.

- Fullfør kretsen som vist ved bruk av den eksterne inngangsadapteren (PAC-SC36NA-E). (Ekstrautstyr)
- Ved å stille inn SW7-1 på kontrollpanelet på utendørsenheten kan energiforbruket (sammenlignet med normalt forbruk) begrenses som vist nedenfor.

	SW7-1	SW2	SW3	Energiforbruk
Etterspørselsfunksjon	PÅ	AV	AV	100%
		PÅ	AV	75%
		PÅ	PÅ	50%
		AV	PÅ	0% (stopp)

9.3. Samling av kjølemiddel (pumpe ned)

Når innendørs-/utendørsenheten flyttes eller kasseres, må systemet pumpes ned i henhold til fremgangsmåten nedenfor, slik at det ikke slippes ut kjølemiddel i atmosfæren.

- Slå av strømmen (vernebryter).
- Koble lavtrykksventilen på målermanifolden til ladepluggen (lavtrykksiden) på utendørsenheten.
- Lukk væskestengeventilen helt.
- Strømtilførsel (vernebryter).
 - * Når strømmen er på, må du se til at fjernkontrollen ikke viser "CENTRALLY CONTROLLED" (styres sentralt). Hvis "CENTRALLY CONTROLLED" blir vist, kan ikke innsamling av kjølemiddel (pumpe ned) fullføres på normal måte.
 - * Start av kommunikasjon mellom innendørs- og utendørsenheten tar omtrent 3 minutter etter strømmen (vernebryter) er slått på. Start pumpe-ned 3 til 4 minutter etter at strømmen (vernebryter) settes på ON (på).
- Gjennomfør innsamlingen av kjølemiddel (kjøletestkjøring).
 - * Trykk SWP-bryteren for nedpumping (tryknappstype) på kontrollpanelet på utendørsenheten. Kompressoren og ventilatorene (innendørs- og utendørsenheter) begynner å gå (og innsamlingen av kjølemiddel begynner). (LED1 og LED2 på kontrollpanelet til utendørsenheten tennes.)
 - * Du må bare trykke på SWP-bryteren for nedpumping hvis enheten er stanset. Selv om enheten er stanset, kan innsamling av kjølemiddel ikke utføres hvis man trykker på SWP-bryteren mindre enn 3 minutter etter at kompressoren har stanset. Vent til kompressoren har vært stanset i 3 minutter, og trykk deretter på SWP-bryteren for nedpumping på nytt.
- Steng kuleventilen på gassrørsiden av utendørsenheten helt når trykkmåleren på målermanifolden viser 0,05 til 0 MPa [måler] (omtrent. 0,5 til 0 kgf/cm²) og stans utendørsenheten raskt.

- * Hvis SWP-bryteren for nedpumping trykkes på nytt, stanser enheten.
- * Fordi enheten automatisk stanser omtrent 3 minutter etter at innsamlingen av kjølemiddelet er fullført (LED1 av, LED2 lyser), må gasskuleventilen stenges raskt. Hvis LED1 lyser, LED2 er av og enheten er stanset, skal du imidlertid åpne væskestengeventilen helt, stenge ventilen helt etter det har gått 3 minutter eller mer, og deretter gjenta trinn ⑤. (Åpne gasskuleventilen helt.)
- * Hvis innsamlingen av kjølemiddel er fullført på normal måte (LED1 av, LED2 lyser), vil enheten forbli stanset inntil strømmen slås av.
- * Merk at når forlengelsesrørene er meget lange med store mengder kjølemiddel, kan det hende at det ikke er mulig å utføre en pumpe-ned. I så fall må du bruke gjenvinningsutstyr for kjølemiddel til å samle opp alt kjølemiddelet i systemet.
- Slå av strømforsyningen (vernebryter), fjern målermanifolden og koble deretter fra kjølemiddelrørene.

⚠ Advarsel:

Når kjølemiddel pumpes ned, må kompressoren stanses før kjølemiddelrørene kobles fra.

- * Hvis kjølemiddelrørene frakobles mens kompressoren er i drift og stengeventilen (kuleventil) er åpen, blir trykket i kjølekretsen ekstremt høy hvis det trekkes inn luft, noe som kan føre til at rørene sprekker, personskaade osv.

9.4. Stille inn temperaturen til ZUBADAN-lyninnsprøytingsfunksjonen

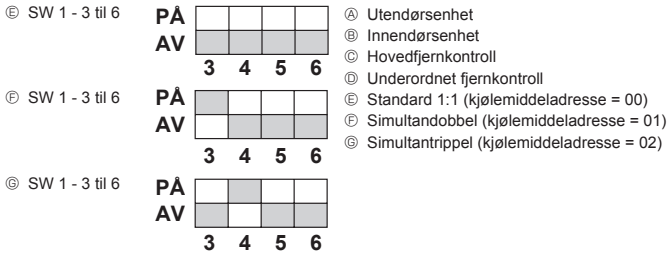
ZUBADAN-lyninnsprøytingsfunksjonen oppnår høy oppvarmingsytelse ved lave utendørstemperaturer.

- SW9-3 og SW9-4 på kontrollpanelet på utendørsenheten gjør det mulig å sette temperaturen som er tilgjengelig for ZUBADAN-lyninnsprøytingsfunksjonen som vist i tabellen nedenfor.

SW9-3	SW9-4	Utetemperatur
AV	AV	3°C eller mindre (Standardinnstilling)
AV	PÅ	0°C eller mindre
PÅ	AV	-3°C eller mindre
PÅ	PÅ	-6°C eller mindre

10. Systemstyring

10.1. Klimaanlegg



- Ⓐ Utendørsenhet
- Ⓑ Innendørsenhet
- Ⓒ Hovedfjernkontroll
- Ⓓ Underordnet fjernkontroll
- Ⓔ Standard 1:1 (kjølemiddeladresse = 00)
- Ⓕ Simultandobbel (kjølemiddeladresse = 01)
- Ⓖ Simultantrippl (kjølemiddeladresse = 02)

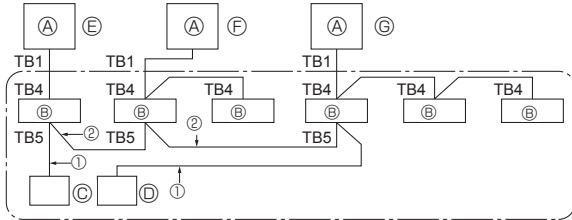


Fig. 10-1

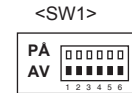
* Still inn kjølemiddeladressen ved bruk av Dip-bryteren på utendørsenheten.

- ① Ledninger fra fjernkontrollen
Denne ledningen er koplet til TB5 (klemmebrett for fjernkontroll) på innendørsenheten (ikke-polar).
- ② Når det brukes et annet system for gruppering av kjølemiddel.
Opptil 16 kjølemiddelsystemer kan styres som én gruppe ved bruk av den slanke MA-fjernkontrollen.

Merk:

I et enkelt kjølemiddelsystem (dobbel/trippel) er det ikke behov for ledning ②.

SW1
Funksjonstabell



	Funksjon	Drift i henhold til bryterinnstillingen	
		PA	AV
1	Obligatorisk defrosting	Start	Normal
2	Feilhistorikk slettet	Tøm	Normal
3	Innstilling for funksjonsinnstillinger	Innstillinger for utendørsenheten er adressene 0 til 15	
4	Innstilling for kjølemiddelets systemadresse		
5			
6			

10.2. Luft-til-vann-varmepumpe

Still inn kjølemiddeladressen ved bruk av Dip-bryteren på utendørsenheten.

SW1-funksjonsinnstilling

SW1-innstilling	Kjølemiddeladresse	SW1-innstilling	Kjølemiddeladresse																																				
PA <table border="1"><tr><td></td><td></td><td></td><td></td><td></td><td></td></tr><tr><td>AV</td><td></td><td></td><td></td><td></td><td></td></tr><tr><td></td><td>3</td><td>4</td><td>5</td><td>6</td><td>7</td></tr></table>							AV							3	4	5	6	7	00	PA <table border="1"><tr><td></td><td></td><td></td><td></td><td></td><td></td></tr><tr><td>AV</td><td></td><td></td><td></td><td></td><td></td></tr><tr><td></td><td>3</td><td>4</td><td>5</td><td>6</td><td>7</td></tr></table>							AV							3	4	5	6	7	03
AV																																							
	3	4	5	6	7																																		
AV																																							
	3	4	5	6	7																																		
PA <table border="1"><tr><td></td><td></td><td></td><td></td><td></td><td></td></tr><tr><td>AV</td><td></td><td></td><td></td><td></td><td></td></tr><tr><td></td><td>3</td><td>4</td><td>5</td><td>6</td><td>7</td></tr></table>							AV							3	4	5	6	7	01	PA <table border="1"><tr><td></td><td></td><td></td><td></td><td></td><td></td></tr><tr><td>AV</td><td></td><td></td><td></td><td></td><td></td></tr><tr><td></td><td>3</td><td>4</td><td>5</td><td>6</td><td>7</td></tr></table>							AV							3	4	5	6	7	04
AV																																							
	3	4	5	6	7																																		
AV																																							
	3	4	5	6	7																																		
PA <table border="1"><tr><td></td><td></td><td></td><td></td><td></td><td></td></tr><tr><td>AV</td><td></td><td></td><td></td><td></td><td></td></tr><tr><td></td><td>3</td><td>4</td><td>5</td><td>6</td><td>7</td></tr></table>							AV							3	4	5	6	7	02	PA <table border="1"><tr><td></td><td></td><td></td><td></td><td></td><td></td></tr><tr><td>AV</td><td></td><td></td><td></td><td></td><td></td></tr><tr><td></td><td>3</td><td>4</td><td>5</td><td>6</td><td>7</td></tr></table>							AV							3	4	5	6	7	05
AV																																							
	3	4	5	6	7																																		
AV																																							
	3	4	5	6	7																																		

Merk:

- a) Opptil 6 enheter kan tilkoples.
- b) Velg én enkelt modell for alle enheter.
- c) Du finner innstillinger for Dip-bryterne for innendørsenheten i monteringshåndboken for innendørsenheten.

11. Spesifikasjoner

Lydnivå (målt under nominell driftsfrekvens.)

			SHW80VHA	SHW112Y/VHA	SHW140YHA	SHW230YKA2
SPL	Oppvarming	dB(A)	51	52	52	59
	Nedkjøling	dB(A)	50	51	51	58
PWL	Oppvarming	dB(A)	69	70	70	75

Sisältö

1. Turvallisuuden varoimet	147	7. Sähkötekniset työt	153
2. Asennuspaikka	148	8. Testiajo (vain ilmastointilaitteille)	155
3. Ulkoyksikön asennus	150	9. Erikoistoiminnot	156
4. Kylmäaineputkiston asennus	150	10. Järjestelmäohjaus	157
5. Tyhjennysputkisto	153	11. Tekniset tiedot	157
6. Vesiputkisto (Vain ilma-vesilämpöpumpulle)	153		



Huomautus: Tämä symboli on vain EU-maita varten.

Tämä symboli on direktiivin 2012/19/EU käyttäjille annettavia tietoja koskevan 14 artiklan ja liitteen IX mukainen.

MITSUBISHI ELECTRIC -tuote on suunniteltu ja valmistettu käyttämällä korkealaatuisia materiaaleja ja komponentteja, jotka voidaan kierrättää ja käyttää uudelleen.

Symboli tarkoittaa, että sähkö- ja elektroniikkaosat on niiden käyttöiän lopussa hävitettävä erillään muusta kotitalousjätteestä.

Hävitä tämä laitteisto paikallisten määräysten mukaisesti toimittamalla se jätehuoltopisteeseen tai kierrätyskeskukseen.

Euroopan unionissa on erilliset keruujärjestelmät käytettyjä sähkö- ja elektroniikkatuotteita varten.

Auta meitä suojelemaan elinympäristöämme!

⚠ Huomio:

- Älä päästä R410A-kylmäainetta ilmakehään:

1. Turvallisuuden varoimet

- ▶ Lue "Turvallisuuden varoimet" ennen yksikön asentamista.
- ▶ Ilmoita asennuksesta sähköjärjestelmän vastuuhenkilölle ja hanki häneltä asiaankuuluva valtuutus ennen järjestelmän kytkemistä.
- ▶ PUAHZ-SHW230YKA2
"Tämä laitteisto täyttää standardin IEC 61000-3-12 vaatimukset edellyttäen, että oikosulkuvirta S_{sc} on suurempi tai yhtä suuri kuin $S_{sc} (*1)$ käyttäjän sähköverkon ja julkisen sähköverkon liitäntäpisteessä. Asentaja tai käyttäjä vastaa laitteistosta ja varmistaa sähkönjakeluverkon toimittajaa tarvittaessa konsulttoimalla, että laitteisto liitetään vain sellaiseen sähkönjakeluverkkoon, jonka oikosulkuvirta S_{sc} on suurempi tai yhtä suuri kuin $S_{sc} (*1)$ "

Malli	S_{sc} (MVA)
PUHZ-SHW230YKA2	1,35

⚠ Varoitus:

Tämän varoituksen avulla esitellään varoimenpiteet, jotka tulee huomioida käyttäjän loukkaantumisen tai hengenvaaran estämiseksi.

⚠ Huomio:

Tämän huomautuksen avulla esitellään varoimenpiteet, jotka tulee huomioida laitteen vahingoittumisen estämiseksi.

Kun asennustyöt on tehty, selvitä asiakkaalle turvallisuuden varoimenpiteet, yksikön käyttö ja huolto käyttöohjeissa olevien tietojen mukaan ja suorita testiajo asianmukaisen toiminnan varmistamiseksi. Sekä asennusohjeet että käyttöohjeet on annettava käyttäjän haltuun säilyttämistä varten. Nämä ohjekirjat on annettava edelleen seuraaville käyttäjille.

⚠ : Ilmoittaa osan, joka on maadoitettava.

⚠ Varoitus:

Lue huolellisesti pääyksikköön kiinnitettyt tarrat.

⚠ Varoitus:

- Käyttäjä ei saa asentaa yksikköä. Pyydä jälleenmyyjää tai valtuutettua asentajaa suorittamaan yksikön asennus. Jos yksikkö on asennettu väärin, seurauksena voi olla vesivuoto, sähköisku tai tulipalo.
- Asennustöiden suorittamiseksi noudata asennusohjeissa annettuja ohjeita ja käytä sellaisia työkaluja ja putkikomponentteja, jotka on erityisesti tehty käytettäväksi kylmäaineen R410A kanssa. HFC-järjestelmässä R410A-kylmäaine paineistetaan 1,6 kertaa suuremmaksi kuin tavanomaiset kylmäaineet. Jos putkikomponentit eivät ole suunniteltuja R410A-kylmäaineelle eikä yksikköä asenneta oikein, putket voivat haljeta ja aiheuttaa vahinkoja tai loukkaantumisia. Lisäksi seurauksena voi olla vesivuoto, sähköisku tai tulipalo.
- Yksikkö on asennettava ohjeiden mukaisesti maanjäristyksen, hirmumyrskyn tai voimakkaiden tuulenpuuskien aiheuttamien vahinkojen minimoimiseksi. Väärin asennettu yksikkö voi pudota ja aiheuttaa vahinkoja tai loukkaantumisia.
- Yksikkö on asennettava tukevasti sen painon kestävään rakenteeseen. Jos yksikkö asennetaan epävakaiseen rakenteeseen, yksikkö voi pudota ja aiheuttaa vahinkoja tai loukkaantumisia.
- Jos ulkoyksikkö asennetaan pieneen huoneeseen, riittävin toimenpitein estettävä sen konsentroituminen huonetilassa yli turvarajan kylmäaineen vuotessa. Kysy jälleenmyyjältä ohjeita asianmukaisten toimenpiteiden toteuttamiseen sallitun konsentroitumisen ylittämisen estämiseksi. Jos kylmäainetta vuotaa tai konsentroituu yli sallitun rajan, huoneessa voi esiintyä hapen puutetta ja siitä aiheutuvia vaaroja.
- Tuuleta huone, jos kylmäainetta vuotaa käytön aikana. Jos kylmäainetta pääsee kosketukseen avotulen kanssa, siitä vapautuu myrkyllisiä kaasuja.
- Kaikki sähkötyöt on teetettävä valtuutetulla sähköasentajalla paikallisten määräysten ja tässä ohjekirjassa annettujen ohjeiden mukaan. Yksiköt tulee liittää asianmukaisilla virtajohdoilla käyttämällä oikeaa jännitettä ja piirikatkaisijoita. Kapasiteetiltaan riittämättömät virtajohdot tai virheellisesti tehdyt sähkötyöt voivat aiheuttaa sähköiskun tai tulipalon.
- Käytä saumattomien kupari- ja kupariseosputkien hitsaamiseen kupariforipuuikkoa C1220 liittäessäsi kylmäaineputkia. Jos putkia ei liitetä oikein, yksikön maadoitus on puutteellinen ja seurauksena voi olla sähköisku.

- Käytä johdotukseen erittelyn mukaisia kaapeleita. Johdinten liitännät on varmistettava niin, ettei liitäntäkohtiin pääse kohdistumaan jännityksiä. Älä myöskään käytä johdotuksessa jatko kaapeleita (ellei tässä ohjekirjassa toisin mainita). Näiden ohjeiden laiminlyönti voi aiheuttaa ylikuumenemista tai tulipalon.
- Ulkoyksikön liitäntälohkon kansipaneeli on kiinnitettävä tiukasti. Jos kansipaneeli kiinnitetään väärin ja yksikköön pääsee pölyä tai kosteutta, seurauksena voi olla sähköisku tai tulipalo.
- Käytä ulkoyksikön asennuksen, uudelleensijoittamisen tai huollon yhteydessä vain määritettyä kylmäainetta (R410A) kylmäaineputkien täyttämiseen. Älä sekoita sitä minkään muun kylmäaineen kanssa äläkä päästä ilmaa jäämään putkistoon. Jos ilma pääsee sekoittumaan kylmäaineen kanssa, se voi aiheuttaa epätavallisen korkean paineen kylmäaineputkessa ja sen seurauksena räjähdyksen tai muuta vahinkoa. Muun kuin järjestelmälle määritetyn kylmäaineen käyttäminen aiheuttaa mekaanisen vian, järjestelmän toimintahäiriön tai laiteaurion. Pahimmasa tapauksessa se voi tehdä tuotteesta vaarallisen.
- Käytä vain Mitsubishi Electricin hyväksymiä lisäosia ja pyydä jälleenmyyjää tai valtuutettua asentajaa asentamaan ne. Jos osat asennetaan väärin, seurauksena voi olla vesivuoto, sähköisku tai tulipalo.
- Älä tee yksikköön muutoksia. Kysy jälleenmyyjältä ohjeet korjauksia varten. Jos muutoksia tai korjauksia ei tehdä oikein, seurauksena voi olla vesivuoto, sähköisku tai tulipalo.
- Käyttäjän ei pitäisi koskaan yrittää korjata yksikköä tai siirtää sitä toiseen paikkaan. Jos yksikkö on asennettu väärin, seurauksena voi olla vesivuoto, sähköisku tai tulipalo. Jos ulkoyksikkö täytyy korjata tai siirtää toiseen paikkaan, pyydä jälleenmyyjää tai valtuutettua asentajaa suorittamaan se.
- Kun asennus on tehty, tarkista kylmäaineen vuodot. Jos kylmäainetta pääsee vuotamaan huoneeseen ja se pääsee kosketukseen lämmityslaitteen tai kannettavan liedien kanssa, siitä vapautuu myrkyllisiä kaasuja.

1.1. Ennen asentamista

⚠ Huomio:

- Älä käytä yksikköä epätavallisessa ympäristössä. Jos ulkoyksikkö asennetaan höyrylle, haihtuvalle öljylle (mukaan lukien koneöljy) tai rikkikaasulle altistuvilla alueilla tai suolapitoisella alueella (kuten merenrannalle) tai jos yksikkö peityy lumella, sen suorituskyky voi heikentyä merkittävästi ja sisäiset osat voivat vahingoittua.
- Älä asenna yksikköä sellaiseen paikkaan, johon voi vuotaa, muodostua, virrata tai kerääntyä paloherkkiä kaasuja. Jos yksikön ympärille kerääntyä paloherkkiä kaasua, seurauksena voi olla tulipalo tai räjähdys.

- Ulkoyksikkö muodostaa kondenssivettä lämmityksen aikana. Järjestä vedenoisto ulkoyksikön ympärille, jos kondenssivesi voi aiheuttaa vahinkoa.
- Kun yksikkö asennetaan sairaalan tai viestintäyhtiön toimistoon, varaudu meluäänin ja elektroniseen häiriöön. Inverterit, kotitalouskoneet, suurtaajuusiset lääkinälliset laitteet ja radiolaitteet voivat aiheuttaa ulkoyksikön vikatoimintaa tai vaurioitumisen. Ulkoyksikkö voi myös vaikuttaa lääkinnällisten laitteiden toimintaan, häiritä sairaanhoitoa ja tietoliikennelaitteita sekä heikentää näyttöruudun kuvan laatua.

1. Turvallisuuden varotoimet

1.2. Ennen asentamista (uudelleensijoittaminen)

⚠ Huomio:

- Ole erityisen varovainen yksiköiden kuljetuksessa tai asennuksessa. Vähintään 2 henkilöä tarvitaan yksikön käsittelemiseen, sillä se painaa 20 kg ja enemmän. Älä tartu kiinni pakkausnauhoihin. Käytä suojakäsineitä poistaessasi yksikköä pakkauksesta ja siirtäessäsi sitä, koska voit loukata kätesi siipiin tai muiden osien reunoihin.
- Hävitä pakkausmateriaalit turvallisesti. Pakkausmateriaalit, kuten naulat ja muut metalli- ja puuosat voivat aiheuttaa pistohaavoja ja muita vammoja.

- Ulkoyksikön jalusta ja kiinnitystarvikkeet on tarkistettava säännöllisesti löystymisen, halkeamien ja muiden vahinkojen varalta. Jos tällaisia vaurioita ei korjata, yksikkö voi pudota ja aiheuttaa vahinkoja tai loukkaantumisia.
- Älä pese ulkoyksikköä vedellä. Seurauksena voi olla sähköisku.
- Kiristä kartiomutterit määrittelyn mukaisesti momenttivääntimellä. Jos niitä kiristetään liikaa, mutteri voi murtua myöhemmin ja kylmäainetta saattaa päästä vuotamaan.

1.3. Ennen sähköitöitä

⚠ Huomio:

- Asenna piirikatkaisijat. Jos niitä ei asenneta, seurauksena voi olla sähköisku.
- Käytä virtajohtoina kapasiteetiltaan riittäviä standardikaapeleita. Muuten voi seurauksena olla oikosulku, ylikuumeneminen tai tulipalo.
- Älä venytä kaapeleita virtajohtojen asentamisen yhteydessä. Jos liitännät löystyvät, kaapelit voivat katketa tai murtua, minkä seurauksena voi olla ylikuumeneminen tai tulipalo.

- Varmista, että yksikkö maadoitetaan. Älä liitä maajohtimia kaasu- tai vesiputkiin, ukkosenjohdattimeen tai puhelimen maadoitusjohtoihin. Jos yksikkö ei ole oikein maadoitettu, seurauksena voi olla sähköisku.
- Käytä määritellyn kapasiteetin mukaisia piirikatkaisijoita (vikavirtakytkin, eristyskytkin (+B-sulake) ja valukoteloitua piirikatkaisijaa). Jos piirikatkaisijan kapasiteetti on määriteltä suurempi, seurauksena voi olla laitevika tai tulipalo.

1.4. Ennen testiajon käynnistämistä (vain ilmastointilaitteille)

⚠ Huomio:

- Kytke päävirta päälle vähintään 12 tuntia ennen käytön aloittamista. Käytön aloittaminen heti virtakytkimen päällekytkennän jälkeen voi vahingoittaa sisäpuolisia osia. Pidä päävirtakytkin päällä käyttösesongin ajan.
- Tarkista ennen käytön aloittamista, että kaikki paneelit, suojukset ja muut suojaavat osat on oikein asennettu. Pyörivät, kuumat tai korkeajännitteiset osat voivat aiheuttaa loukkaantumisia.

- Älä koske mihinkään kytkimeen märillä käsillä. Seurauksena voi olla sähköisku.
- Älä koske kylmäaineputkiin paljain käsin käytön aikana. Kylmäaineputket ovat kuumia tai kylmiä riippuen virtaavan kylmäaineen tilasta. Jos kosket putkiin, siitä voi aiheutua palovamma tai paletumisvamma.
- Odota käytön lopettamisen jälkeen vähintään viisi minuuttia, ennen kuin kytket päävirtakytkimen pois päältä. Muuten voi seurauksena olla vesivuoto tai laitevika.

1.5. R410A-kylmäaineen käyttäminen ulkoyksikössä

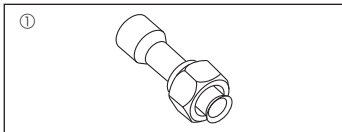
⚠ Huomio:

- Käytä saumattomien kupari- ja kupariseosputkien hitsaamiseen kuparifosforipuikkoa C1220 liittäessäsi kylmäaineputkia. Varmista, että putket ovat sisältä puhtaat ja että ne eivät sisällä vahingollisia aineita, kuten rikkiyhdisteitä, hapettimia, roskia tai pölyä. Käytä määritellyn paksuisia putkia. (Katso kohta 4.1.) Huomaa seuraavaa, jos käytät uudelleen putkia, joissa on kuljettu kylmäainetta R22.
 - Vaihda kartiomutterit ja avarra jo avarretut kohdat uudelleen.
 - Älä käytä ohuita putkia. (Katso kohta 4.1.)
- Säilytä käytettäviä putkia asennuksen ajan sisätiloissa ja pidä putkien kummatkin päät tukittuina juottamiseen saakka. (Pidä kulmaliittimiä jne. pakkauksissaan.) Jos pölyä, roskaa tai kosteutta pääsee kylmäaineputkiin, kylmäaineöljyn laatu voi heikentyä ja kompressori voi vikaantua.
- Käytä avarretuissa kohdissa kylmäaineöljynä esteri-, eetteri- tai alkyyliben-siiniöljyä (pieni määrä). Jos mineraaliöljyä sekoitetaan kylmäaineöljyyn, seurauksena voi olla öljyn laadun heikkeneminen.

- Käytä ainoastaan R410A-kylmäainetta. Jos muuta kylmäainetta käytetään, kloori heikentää öljyn laatua.
- Käytä seuraavia työkaluja, jotka on suunniteltu erityisesti R410A-kylmäaineen käyttöä varten. Seuraavat työkalut ovat välttämättömiä R410A-kylmäaineen käytössä. Ota yhteys lähimpään jälleenmyyjään kaikissa kysymyksissä.

Työkalut (R410A:lle)	
Mittajakotukki	Avarrustyökalu
Täyttöletku	Koonsäätömitta
Kaasuvuodonilmaisin	Tyhjäpumpun adapteri
Momenttiavain	Elektroninen kylmäaineen täyttöasteikko

- Käytä sopivia työkaluja. Jos pölyä, roskaa tai kosteutta pääsee kylmäaineputkiin, kylmäaineöljyn laatu voi heikentyä.
- Älä käytä täyttösylinteriä. Jos käytät täyttösylinteriä, kylmäaineen koostumus voi muuttua ja tehokkuus heikentyä.



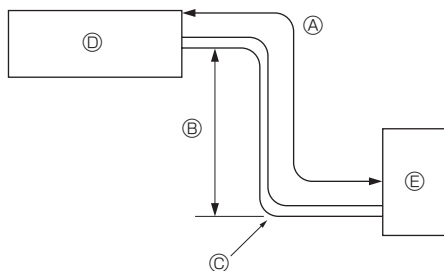
Kuva 1-1

1.6. Ulkoyksikön tarvikkeet (Kuva 1-1) (SHW230)

Vasemmalla näkyvät osat ovat yksikön tarvikkeita, jotka kiinnitetään huoltopaneelin sisäpuolelle.

① Liitosputki.....x1

2. Asennuspaikka



Kuva 2-1

2.1. Kylmäaineputki (Kuva 2-1)

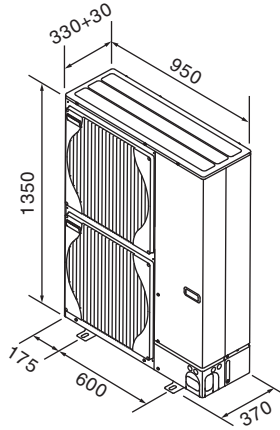
- Tarkista, että sisä- ja ulkoyksikön korkeusero, kylmäaineputken pituus ja putken taiteiden lukumäärä ovat alla esitettyjen vaatimusten rajoissa.

Mallit	Ⓐ Putken pituus (yhteen suuntaan)	Ⓜ Korkeusero	Ⓒ Taiteiden lukumäärä (yhdessä suunnassa)
SHW80, 112, 140	2 m - 75 m	Maks. 30 m	Maks. 15
SHW230	2 m - 80 m	Maks. 30 m	Maks. 15

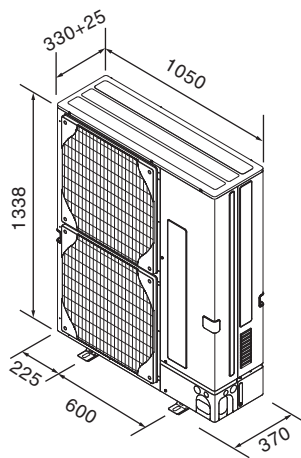
- Korkeuserorajoitus pätee riippumatta siitä, onko korkeammalle sijoitettava yksikkö sisä- vai ulkoyksikkö.
 - Ⓜ Sisäyksikkö
 - Ⓜ Ulkoyksikkö

2. Asennuspaikka

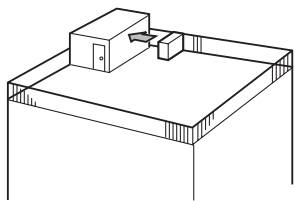
■ SHW80, 112, 140



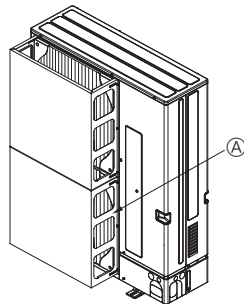
■ SHW230



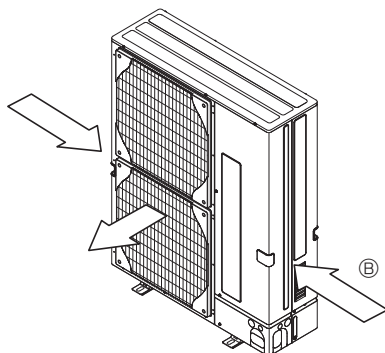
Kuva 2-2



Kuva 2-3



Kuva 2-4



Kuva 2-5

2.2. Ulkoyksikön asennuspaikan valinta

- Vältä sijoittamasta yksikköä suoran auringonvalon tai muun lämmönlähteen vaikutuspiiriin.
- Valitse sijaintipaikka niin, etteivät sen käyntiäänit häiritse naapureita.
- Valitse sijaintipaikka niin, että johdotukset virtalähteeseen ja putkitukset sisäyksikköön ovat helposti toteuttavissa.
- Vältä sellaisia paikkoja, johon voi vuotaa, muodostua, vIRRata tai kerääntyä paloherkkiä kaasuja.
- Huomaa, että yksikön käynnin aikana voi valua vettä.
- Valitse vaakasuora asennuspaikka, joka kestää yksikön painon ja käytön synnyttämän värinän.
- Vältä paikkoja, jossa se voi peittyä lumella. Jos alueella voi esiintyä voimakkaita lumisateita, siihen tulee varautua esimerkiksi nostamalla asennuspaikka korkeammalle tai asentamalla ilman sisääntuloa suojaava kansi, jotta lumi ei pääse tukkimaan sitä tai tuiskua suoraan sitä vasten. Muuten seurauksena voi olla heikentynyt ilmavirtaus ja vikatoiminta.
- Vältä paikkoja, jossa on öljyä, höyryä tai rikkikaasua.
- Käytä siirtämiseen ulkoyksikössä olevia kahvoja. Jos yksikköä kannetaan pohjasta kiinni tarttuen, kädet tai sormet voivat jäädä puristuksiin.

2.3. Ulkomitat (ulkoyksikkö) (Kuva 2-2)

2.4. Tuuletus- ja huoltotila

2.4.1. Tuulinen asennuspaikka

Kun ulkoyksikkö asennetaan katolle tai muuhun tuulelta suojaamattomaan paikkaan, sijoita yksikön ilman ulostulo siten, että voimakkaat tuulet eivät kohdistu siihen suoraan. Ulostuloon puhaltava voimakas tuuli voi heikentää normaalia ilmanvirtausta ja aiheuttaa vikatoimintaa.

Seuraavassa esitetään kolme esimerkinomaista varoimenpidettä voimakkaita tuulia vastaan.

- ① Suuntaa ilman ulostulo lähintä seinää kohti noin 50 cm:n etäisyydelle seinästä. (Kuva 2-3).
- ② Asenna lisäilmanohjain, jos yksikkö sijoitetaan sellaiseen paikkaan, jossa esim. myrskytuulet pääsevät puhaltamaan suoraan ilman ulostuloon. (Kuva 2-4)
 - Ⓐ Ilman suojausohjain
- ③ Sijoita yksikkö siten, että ulos tuleva ilma virtaa kohtisuoraan vuodenaajalle tyypillisen tuulensuunnan suhteen, mikäli vain mahdollista. (Kuva 2-5)
 - Ⓑ Tuulen suunta

2.4.2. Yhden ulkoyksikön asentaminen (katso viimeinen sivu)

Vähimmäismitat ovat seuraavat lukuun ottamatta Maks.-merkinnällä ilmoitettuja maksimimittoja.

Katso kutakin tapausta koskevia kuvia.

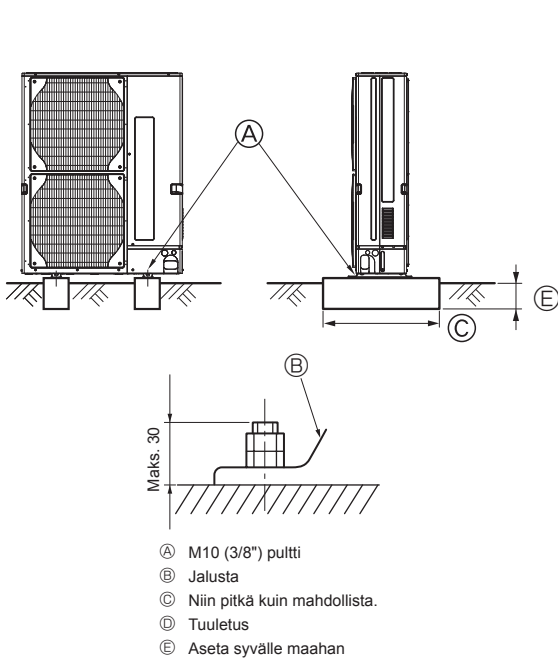
- ① Esteitä vain takana (Kuva 2-6)
- ② Esteitä vain takana ja yläpuolella (Kuva 2-7)
- ③ Esteitä vain takana ja sivuilla (Kuva 2-8)
- ④ Esteitä vain edessä (Kuva 2-9)
 - * Käytettäessä ulostulon lisäilmanohjaimia vapaa tila on 500 mm tai enemmän.
- ⑤ Esteitä vain edessä ja takana (Kuva 2-10)
 - * Käytettäessä ulostulon lisäilmanohjaimia vapaa tila on 500 mm tai enemmän.
- ⑥ Esteitä vain takana, sivuilla ja yläpuolella (Kuva 2-11)
 - * Älä asenna ulostulon lisäilmanohjaimia ylös suuntautuvalla ilmavirtaukselle.

2.4.3. Kun asennetaan useita ulkoyksiköitä (katso edellinen sivu)

Jätä vähintään 10 mm vapaata tilaa yksiköiden väliin.

- ① Esteitä vain takana (Kuva 2-12)
- ② Esteitä vain takana ja yläpuolella (Kuva 2-13)
 - Yhteen suuntaan vierekkäin saa asentaa enintään 3 yksikköä. Jätä lisäksi vapaata tilaa kuvan mukaisesti.
 - Älä asenna ulostulon lisäilmanohjaimia ylös suuntautuvalla ilmavirtaukselle.
- ③ Esteitä vain edessä (Kuva 2-14)
 - * Käytettäessä ulostulon lisäilmanohjaimia vapaa tila on 1000 mm tai enemmän.
- ④ Esteitä vain edessä ja takana (Kuva 2-15)
 - * Käytettäessä ulostulon lisäilmanohjaimia vapaa tila on 1000 mm tai enemmän.
- ⑤ Yksi yksikkö vaakasuoraan asennettuna (Kuva 2-16)
 - * Käytettäessä ylös suuntautuvaa ilmavirtausta varten asennettuja ulostulon lisäilmanohjaimia vapaa tila on 1000 mm tai enemmän.
- ⑥ Monta yksikköä vaakasuoraan asennettuna (Kuva 2-17)
 - * Käytettäessä ylös suuntautuvaa ilmavirtausta varten asennettuja ulostulon lisäilmanohjaimia vapaa tila on 1500 mm tai enemmän.
- ⑦ Yksiköt pinottuina (Kuva 2-18)
 - Enintään 2 yksikköä voidaan pinota päällekkäin.
 - Yhteen suuntaan vierekkäin saa asentaa enintään 2 pinottua yksikköä. Jätä lisäksi vapaata tilaa kuvan mukaisesti.

3. Ulkoyksikön asennus



(mm)

- Asenna yksikkö tukevalle ja vaakasuoralle alustalle estääksesi kolisevan äänen käytön aikana. (Kuva 3-1)

<Perustan erittely>

Perustuspuoltti	M10 (3/8")
Betonikerroksen paksuus	120 mm
Pultin pituus	70 mm
Kuormankantokyky	320 kg

- Varmista, että perustuspuoltti on 30 mm:n sisällä jalustan pinnasta.
- Kiinnitä yksikön jalusta lujasti vankkarakenteisiin kohtiin neljällä M10-perustuspuoltille.

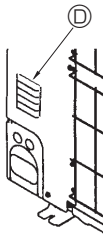
Ulkoyksikön asennus

- Älä tuki tuuletusaukkoa. Jos tuuletusaukko tukitaan, toiminta estyy ja seurauksena voi olla laitevika.
- Käytä jalustan lisäksi laitteen takana olevia asennusreikiä johtojen jne. kiinnitykseen, jos yksikön asennus sitä edellyttää. Käytä itsekierteittäviä ruuveja (ø5 x 15 mm tai vähemmän) ja asenna paikan päällä.

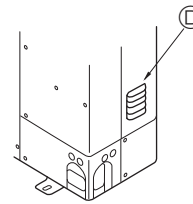
⚠ Varoitus:

- Yksikkö on asennettava tukevasti sen painon kestävään rakenteeseen. Jos yksikkö asennetaan epävakaaseen rakenteeseen, yksikkö voi pudota ja aiheuttaa vahinkoja tai loukkaantumisia.
- Yksikkö on asennettava ohjeiden mukaisesti maanjäristyksen, hirmumyrskyn tai voimakkaiden tuulenpuuskien aiheuttamien vahinkojen minimoimiseksi. Väärin asennettu yksikkö voi pudota ja aiheuttaa vahinkoja tai loukkaantumisia.

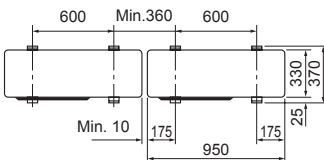
■ SHW80, 112, 140



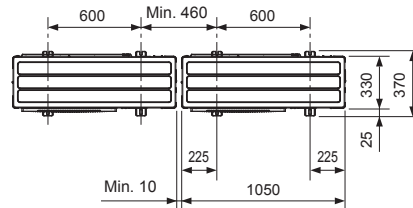
■ SHW230



■ SHW80, 112, 140



■ SHW230



Kuva 3-1

4. Kylmäaineputkiston asennus

4.1. Varoimenpiteet laitteille, joissa käytettävä kylmäaine on R410A

- Ulkoyksikön R410A-kylmäaineen käyttöön liittyviä varoimenpiteitä on alla esitetyn lisäksi kohdassa 1.5.
- Käytä kylmäaineöljynä esteri-, eetteri tai alkyylibensiiniöljyä (pieni määrä) avarretuissa kohdissa.
- Käytä saumattomien kupari- ja kupariseosputkien hitsaamiseen kuparifosforipuikkoa C1220 liittäessäsi kylmäaineputkia. Käytä kylmäaineputkia, joiden paksuus on esitetty alla olevassa taulukossa. Varmista, että putket ovat sisältä puhtaat ja että ne eivät sisällä vahingollisia aineita, kuten rikkiyhdisteitä, hapettimia, roskia tai pölyä. Käytä vain hapettumattomia juotoksia putkien juottamiseen, muuten kompressori voi vahingoittua.

⚠ Varoitus:

Käytä ulkoyksikön asennuksen, uudelleensijoittamisen tai huollon yhteydessä vain määriteltyä kylmäainetta (R410A) kylmäaineputkien täyttämiseen. Älä sekoita sitä minkään muun kylmäaineen kanssa äläkä päästä ilmaa jäämään putkistoon.

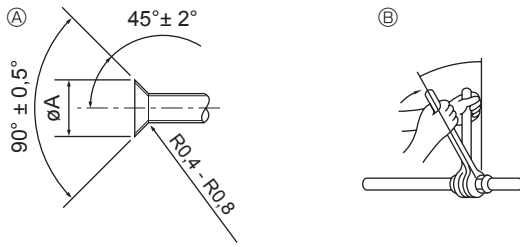
Jos ilma pääsee sekoittumaan kylmäaineen kanssa, se voi aiheuttaa epätavallisen korkean paineen kylmäaineputkessa ja sen seurauksena räjähdyksen tai muuta vahinkoa.

Muun kuin järjestelmälle määritetyn kylmäaineen käyttäminen aiheuttaa mekaanisen vian, järjestelmän toimintahäiriön tai laitevaurion. Pahimmassa tapauksessa se voi tehdä tuotteesta vaarallisen.

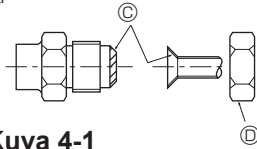
Putken koko (mm)	φ6,35	φ9,52	φ12,7	φ15,88	φ19,05	φ22,2	φ25,4	φ28,58
Paksuus (mm)	0,8	0,8	0,8	1,0	1,0	1,0	1,0	1,0

- Älä käytä määriteltyjä ohuempia putkia.
- Käytä putkia 1/2 H tai H, jos halkaisija on 19,05 mm tai enemmän.

4. Kylmäaineputkiston asennus



- Ⓐ Avarusmitat
Ⓒ Kartiomutterin kiristysmomentti



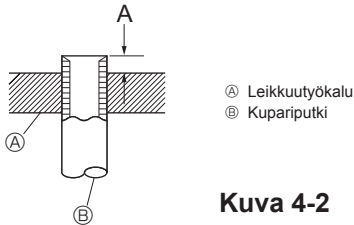
Kuva 4-1

Ⓐ (Kuva 4-1)

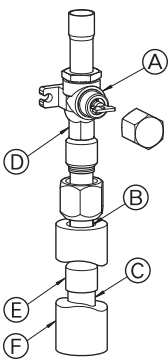
Kupariputken ulkohalkaisija (mm)	Avarusmitat øA mitat (mm)
ø 6,35	8,7 - 9,1
ø 9,52	12,8 - 13,2
ø 12,7	16,2 - 16,6
ø 15,88	19,3 - 19,7
ø 19,05	23,6 - 24,0

Ⓑ (Kuva 4-1)

Kupariputken ulkohalkaisija (mm)	Kartiomutterin ulkohalkaisija (mm)	Kiristysmomentti (Nm)
ø 6,35	17	14 - 18
ø 6,35	22	34 - 42
ø 9,52	22	34 - 42
ø 12,7	26	49 - 61
ø 12,7	29	68 - 82
ø 15,88	29	68 - 82
ø 15,88	36	100 - 120
ø 19,05	36	100 - 120

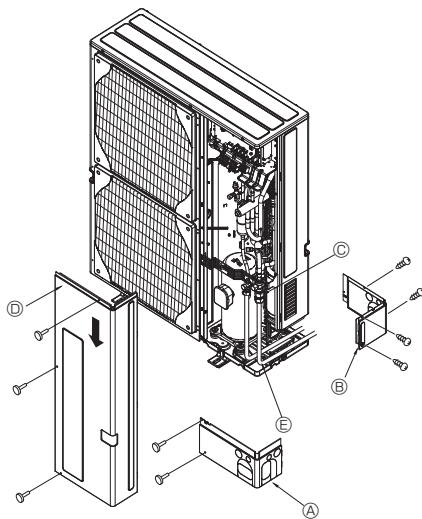


Kuva 4-2



- Ⓐ Sulkuventtiili
Ⓑ Tiivistyskohta
Ⓒ Paikallisputkisto
Ⓓ Kaksoiskiristyskohta
Ⓔ Liitosputki
Ⓕ Putkisuojus

Kuva 4-3



- Ⓐ Putkiston etusuojus
Ⓑ Putkiston takasuojus
Ⓒ Sulkuventtiili
Ⓓ Huoltopaneeli
Ⓔ Taivutussäde: 100 mm–150 mm

Kuva 4-4

4.2. Liitosputket (Kuva 4-1)

- Kun käytetään yleisessä myynnissä olevia kupariputkia, suojaa neste- ja kaasuputket kaupoista saatavilla eristysmateriaaleilla (lämpötilankestävyys 100°C tai enemmän, paksuus 12 mm tai enemmän).
- Pidä kaasui- ja nestekylmäaineputkien lämpöeristys erillään.
- Tyhjennysputken sisätiloissa olevat osat on eristettävä polyeteenivaahdolla (ominaistiheys 0,03, paksuus 9 mm tai enemmän).
- Levitä ohut kerros kylmäaineliöljyä putken ja liittimen sovituspintaan ennen kartiomutterin kiristämistä. Ⓐ
- Käytä 2:ta kiintoavainta putkiliitosten kiristämiseen. Ⓑ
- Käytä vuotoilmaita tai saippuavettä kaasuvuotojen tarkistamiseen liitosten tekemisen jälkeen.
- Levitä kylmäaineliöljyä kartiomutterin koko pinnalle. Ⓒ
- Käytä seuraavan kokoisille putkille tarkoitettuja kartiomuttereita. Ⓓ

		SHW80, 112, 140	SHW230
Kaasu puoli	Putken koko (mm)	ø15,88	ø25,4
Neste puoli	Putken koko (mm)	ø9,52	ø12,7

- Taivuttaessasi putkia varo, että ne eivät katkea. Taivutussäde 100 mm–150 mm on riittävä.
- Varmista, että putket eivät kosketa kompressoriin. Seurauksena voi olla epätavallista melua tai tärinää.
- Putket on liitettävä toisiinsa alkaen sisäyksiköstä. Kartiomutterit on kiristettävä momenttiavaimella.
- Avarra neste- ja kaasuputket ja levitä ohut kerros kylmäaineliöljyä (levitys paikan päällä).
- Käytettäessä tavallista putkitiivistettä katso R410A-kylmäaineputkien avartamista koskevat tiedot taulukosta 1. A-mittojen varmistamiseen voidaan käyttää mittatulkkia.

Taulukko 1 (Kuva 4-2)

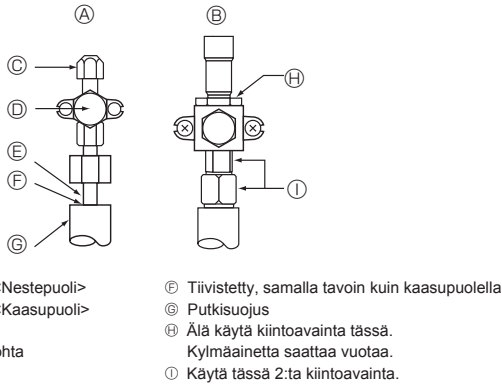
Kupariputken ulkohalkaisija (mm)	A (mm)	
	Avarrustyökalu, R410A	Avarrustyökalu, R22-R407C
	Kiristysviputyyppi	
ø 6,35 (1/4")	0 - 0,5	1,0 - 1,5
ø 9,52 (3/8")	0 - 0,5	1,0 - 1,5
ø 12,7 (1/2")	0 - 0,5	1,0 - 1,5
ø 15,88 (5/8")	0 - 0,5	1,0 - 1,5
ø 19,05 (3/4")	0 - 0,5	1,0 - 1,5

- Käytä seuraavaa menetelmää kaasupuolen putkiston liittämiseen. (Kuva 4-3) (SHW230)
- Juota ulkoyksikköön tarkoitettu liitosputki Ⓔ paikallisesti hankittujen juottotarvikkeiden avulla ja paikallisputkisto Ⓒ ilman happea.
- Liitä liitosputki Ⓔ kaasupuolen sulkuventtiiliin. Käytä 2:ta kiintoavainta kartiomutterin kiristämiseen. * Jos tämä tehdään päinvastaisessa järjestyksessä, kylmäainetta pääsee vuotamaan, koska osa vahingoittuu juottoliekin vaikutuksesta.

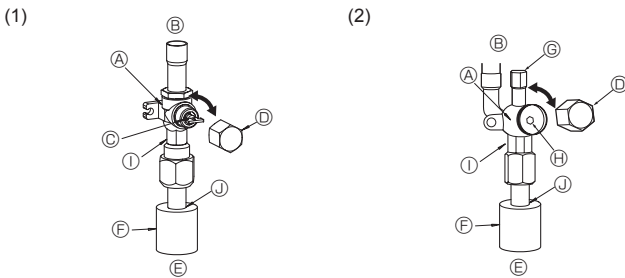
4.3. Kylmäaineputkisto (Kuva 4-4)

- Poista huoltopaneeli Ⓓ (3 ruuvia) ja putkiston etusuojus Ⓐ (2 ruuvia) sekä putkiston takasuojus Ⓑ (2 ruuvia: SHW80 - 140) (4 ruuvia: SHW230).
- Tee kylmäaineputkiston liitokset sisä-/ulkoyksikköä varten ulkoyksikön sulkuventtiiliin ollessa kokonaan kiinni.
- Poista ilmat tyhjäimulla sisäyksiköstä ja liitosputkistosta.
- Kun olet liittänyt kylmäaineputket, tarkista liitetyt putket ja sisäyksikkö kaasuvuotojen varalta. (Katso kohtaa 4.4 Kylmäaineputken ilmatiivyyden testausmenetelmä)
- Sulkuventtiiliin huoltoportissa käytetään tehokasta imupumppua, jolla ylläpidetään alipainetta riittävän kauan (vähintään tunti kun on saavutettu paine –101 kPa (5 Torr)), jotta putket pääsevät kuivumaan sisäpuolelta. Tarkista aina alipaineen arvo mittajakotukilla. Jos putkeen jää yhtään kosteutta, riittävää alipainetta ei silloin ole saatu muodostumaan lyhytaikaisessa alipaineikuivausissa. Avaa ulkoyksikön sulkuventtiilit (sekä neste että kaasui) kokonaan alipaineikuivaamisen jälkeen. Tämä yhdistää täysin sisäiset ja ulkoiset kylmäainepiirit.
 - Jos alipaineikuivausta ei tehdä riittävän hyvin, ilmaa ja vesihöyryä jää kylmäainepiireihin aiheuttaen epänormaalia yläpaineen nousua, epänormaalia alapaineen laskua, kylmäaineliöljyn heikentymistä kosteuden vuoksi, jne.
 - Jos sulkuventtiilit jätetään kiinni ja yksikköä käytetään, kompressorin ja säätöventtiilit vahingoittuvat.
 - Käytä vuodonilmaisinta tai saippuavettä kaasuvuotojen tarkistamiseen ulkoyksikön putkiliitosten kohdissa.
 - Älä käytä yksikön kylmäainetta ilman purkamisen kylmäaineputkista.
 - Kun venttiili on tehty, kiristä venttiilihihat oikeaan kiristysmomenttiin: 20–25 Nm (200–250 kgf·cm). Jos venttiilihihat ei laiteta takaisin paikalleen ja kiristetä, seurauksena voi olla kylmäaineen vuotoa. Älä myöskään vahingoita venttiilihihatuon sisäpuolisia pintoja, koska ne toimivat myös kylmäaineen vuotoja estävänä tiivisteinä.
- Tiivistä putkiliitosten lämmöneristeen pätekohdat sopivalla tiivistysaineella, jotta vesi ei pääse tunkeutumaan lämpöeristeen sisään.

4. Kylmäaineputkiston asennus



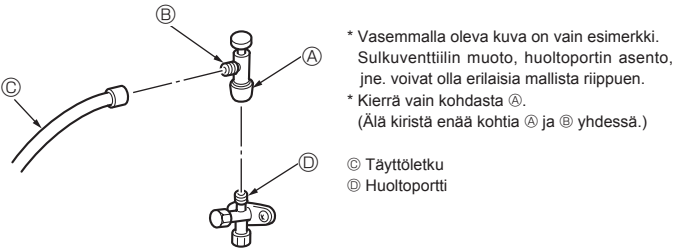
Kuva 4-5



Kuva 4-6

Kuva 4-7

- A Venttiili
 B Yksikön puoli
 C Kahva
 D Korkki
 E Paikallisputken puoli
 F Putken suojus
 G Huoltoportti
 H Kuusioavaimen reikä
 I Kaksoiskiristyskohta (Älä käytä kiristysavainta muualla kuin tässä kohdassa. Muuten voi seurauksena olla jäähdytysnesteen vuotoja.)
 J Tiivistyskohta (Tiivistä putkiliitoksen lämmöneristeen pätekohta sopivalla tiivistysaineella, jotta vesi ei pääse tunkeutumaan lämpöeristeen sisään.)



Kuva 4-8

4.6. Kylmäaineen lisääminen

- Lisättyt ei ole tarpeen, jos putken pituus ei ole suurempi kuin 30 metriä.
- Jos putken pituus ylittää 30 metriä, täytä yksikköön lisää R410A-kylmäainetta alla olevassa taulukossa esitettyjen sallittujen putken pituuskien mukaan.
- Kun yksikkö on pysähtynyt, lataa yksikköön lisää kylmäainetta nestesulkuventtiiliin kautta sen jälkeen, kun jatkoputket ja sisäyksikkö on tyhjennetty ilmasta. Kun yksikkö on toiminnassa, lisää kylmäainetta kaasutarkistusventtiiliin käyttämällä turvatäyttölaitetta. Älä lisää nestekylmäainetta suoraan tarkistusventtiiliin.

4.4. Kylmäaineputken ilmatiivyyden testausmenetelmä (Kuva 4-5)

- Liitä testaustyökalut.
 - Varmista, että sulkuventtiilit A ja B ovat kiinni äläkä avaa niitä.
 - Lisää painetta kylmäaineputkiin huoltoportin C kautta, joka on nestesulkuventtiilissä A.
- Älä lisää painetta heti määriteltyyn tasoon, vaan nosta sitä vähän kerrallaan.
 - Paineista arvoon 0,5 MPa (5 kgf/cm²G), odota 5 minuuttia ja varmista, että paine ei pääse laskemaan.
 - Paineista arvoon 1,5 MPa (5 kgf/cm²G), odota 5 minuuttia ja varmista, että paine ei pääse laskemaan.
 - Paineista arvoon 4,15 MPa (41,5 kgf/cm²G) sekä mittaa ympäristön lämpötila ja kylmäaineen paine.
- Jos määritelty paine pysyy noin 1 päivän ajan eikä laske, putket ovat läpäisseet testin eikä vuotoja ole.
 - Jos ympäristön lämpötila muuttuu 1°C, paine muuttuu noin 0,01 MPa:lla (0,1 kgf/cm²G). Tee tarvittavat korjaukset.
- Jos paine laskee vaiheissa (2) tai (3), putkissa on kaasuvuoto. Selvitä kaasuvuodon syy.

4.5. Sulkuventtiilin avausmenetelmä

Sulkuventtiilin avausmenetelmä vaihtelee ulkoyksikön mallin mukaan. Käytä asianmukaista menetelmää sulkuventtiilien avaamiseen.

- Kaasupuoli (Kuva 4-6)
 - Poista korkki, vedä kahvaa itseesi päin ja kierrä 1/4 kierrosta vastapäivään avataksesi sen.
 - Varmista, että sulkuventtiili on kokonaan auki, työnnä kahvaa ja kierrä korkki takaisin alkuperäiseen asentoon.
- Nestepuoli (Kuva 4-7)
 - Poista korkki ja kierrä venttiilikaraa vastapäivään niin pitkälle kuin se menee 4 mm kuusioavaimen avulla. Lopeta kiertäminen, kun se osuu rajoittimeen. (Ø9,52: noin 10 kierrosta)
 - Varmista, että sulkuventtiili on kokonaan auki, työnnä kahvaa ja kierrä korkki takaisin alkuperäiseen asentoon.

Kylmäaineputket suojataan vaipalla

- Putket voidaan päällystää suojavaipalla halkaisijaan Ø90 saakka putkien liittämisen jälkeen. Leikkaa viilto putken suojukseen uran jälkeen ja kääri putket.

Putken sisäntuloaukko

- Käytä kittiä tai massaa putken sisäntuloaukon tiivistämiseen putkien ympärillä siten, ettei niihin jää rakoja. (Jos rakoja ei tukita, niiden kautta pääsee meluäänä tai vettä ja pölyä pääsee yksikköön aiheuttaen laitevikoja.)

Varotoimenpiteet täyttövventtiilin käytössä (Kuva 4-8)

Älä kiristä huoltoporttia liikaa sen asentamisen yhteydessä, muuten venttiilin sydän voi vääntyä, löystyä ja aiheuttaa kaasuvuotoa.

Kun suuntaat kohdan B haluamaasi asentoon, kierrä vain kohdasta A ja kiristä se. Älä enää kiristä kohtia A ja B yhdessä sen jälkeen, kun olet jo kiristänyt kohdan A.

Varoitus:

Kun laitetta asennetaan, kylmäaineputket on liitettävä kunnolla ennen kompressorin käynnistystä.

- Kun olet täyttänyt yksikön kylmäaineella, kirjaa lisätty kylmäaineen määrä huoltotarraan (kiinnitetty yksikköön). Katso lisätiedot kohdasta "1.5. R410A-kylmäaineen käyttäminen ulkoyksikköissä".
- Ole varovainen useiden yksiköiden asennuksessa. Liittäminen väärään sisäyksikköön voi aiheuttaa epänormaalin korkean paineen ja heikentää vakavasti laitteen toimintatehoa.

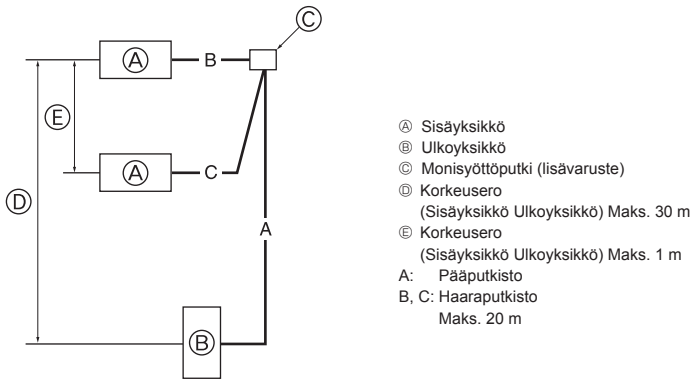
Malli	Sallittu putken pituus	Sallittu pystysuora ero	Alkuperäisen jäähdytysnesteen määrä	Kylmäaineen lisätäyttömäärä			
				31 - 40 m	41 - 50 m	51 - 60 m	61 - 75 m
SHW80, 112, 140	2 m - 75 m	Maks. 30 m	5,5 kg	0,6 kg	1,2 kg	1,8 kg	2,4 kg

Malli	Sallittu putken pituus	Sallittu pystysuora ero	Alkuperäisen jäähdytysnesteen määrä	Käyttötapa	Nesteputken koko	Kylmäaineen lisätäyttömäärä							
						21 - 30 m	31 - 40 m	41 - 50 m	51 - 60 m	61 - 70 m	71 - 80 m		
SHW230	2 m - 80 m ^{*1}	Maks. 30 m	7,1 kg	ATW	Ø 12,7	-	1,4 kg	2,8 kg	4,2 kg	5,6 kg	7,0 kg		
						Ø 9,52	-	-	0,8 kg	1,7 kg	2,6 kg	3,5 kg	
						ATA / AHU	Ø 12,7	1,4 kg	2,8 kg	4,2 kg	5,6 kg	7,0 kg	8,4 kg
							Ø 9,52	-	0,8 kg	1,7 kg	2,6 kg	3,5 kg	4,4 kg

*1. Aseta ohjauspaneeli SW8-2 ON-asentoon (päälle), kun putken pituus on 10 m tai vähemmän (SHW230YKA2R2 tai uudemmat).

4. Kylmäaineputkiston asennus

<Kylmäaineputkiston asennuksen rajoitukset>



SHW112, 140 : A+B+C ≤ 75 m
 SHW230 : A+B+C ≤ 80 m

Kuva 4-9

4.7. Kaksin-/kolmin-/nelinkertaiselle yhdistelmälle (Kuva 4-9) (vain ilmastointilaitteille)

Kun tätä yksikköä käytetään FREE COMPO MULTI -yksikkönä, asenna kylmäaineputkisto vasemmalla puolella olevan kuvan rajoitusten mukaisesti. Lisäksi jos rajoitukset ovat ylittymässä tai käytetään sisä- ja ulkoyksiköiden yhdistelmiä, katso asennusta koskevat yksityiskohdat sisäyksikön asennusohjeista.

Ulkoyksikkö	Sallittu putken kokonaispituus A+B+C	Täyttämätön putken pituus A+B+C
SHW112, 140	75 m tai vähemmän	30 m tai vähemmän
SHW230	80 m tai vähemmän	30 m tai vähemmän

Ulkoyksikkö	B-C	Taitteiden lukumäärä
SHW112, 140, 230	8 m tai vähemmän	alle 15

5. Tyhjennysputkisto

Ulkoyksikön tyhjennysputken liitäntä

PUHZ-SHW-sarjaa ei voi liittää tyhjennysputkistoon kylmäverkostomäärityksen vuoksi.

6. Vesiputkisto (Vain ilma-vesilämpöpumpulle)

Veden minimimäärä

Seuraava vesimäärä tarvitaan vesipiirissä.

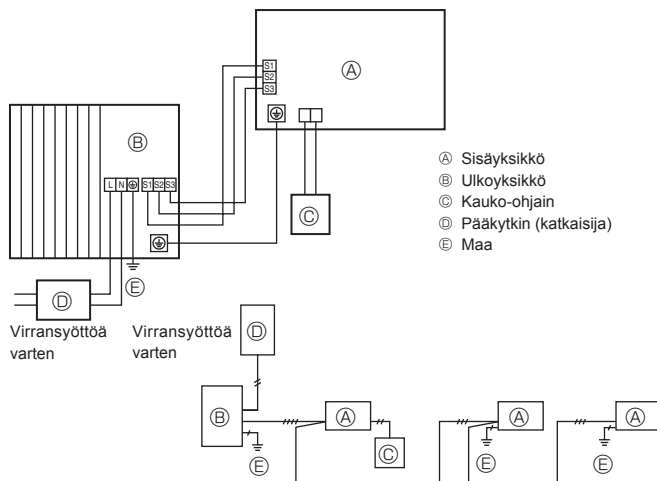
Malli	Minimivesimäärä (L)
SHW80	34
SHW112	48
SHW140	60
SHW230	99

Suojaa yksikkö jäätymiseltä, esimerkiksi käyttämällä jäänestoainetta, kun yksikköä käytetään jäähdytystilassa alhaisessa ympäristön lämpötilassa (alle 0 °C).

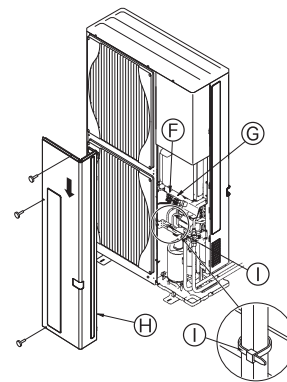
7. Sähkötekniset työt

7.1. Ulkoyksikkö (Kuva 7-1, Kuva 7-2)

- Irrota huoltaneeli.
- Johdota kaapelit kuvien 7-1 ja 7-2 mukaisesti.

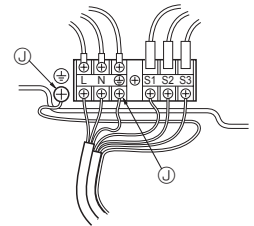


Kuva 7-1

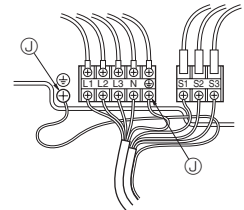


Kuva 7-2

SHW80, 112V



SHW112-230V



- F Riviliitin
 G Sisä-/ulkoyksikön liitännän riviliitin (S1, S2, S3)
 H Huoltaneeli
 I Nippuside
 J Maadoitusliitin
 * Sido kaapelit niin, etteivät ne kosketa huoltaneeliin keskelle tai kaasuventtiiliin.

Huomautus: Jos sähkökaapin suojalevy poistetaan huollon ajaksi, muista asentaa se takaisin paikalleen.

Huomio: Muista varmasti asentaa N-johto. Ilman N-johtoa yksikkö voi vahingoittua.

Huomautus: Vain ilma-vesilämpöpumpulle
 Kun useita sisäyksiköitä (vesikotelot) liitetään ulkoyksikköön, johdota jomankumman sisäyksikön piirikortti ja ulkoyksikkö (S1, S2, S3).

Useamman sisäyksikön piirikortteja ei voi liittää ulkoyksikköön.

7. Sähkötekniset työt

7.2. Kentän sähköjohdotus

Ulkoyksikön malli		SHW80V	SHW112V	SHW112, 140Y	SHW230Y
Ulkoyksikön virtajohto		~/N (yksi), 50 Hz, 230 V	~/N (yksi), 50 Hz, 230 V	3N~ (3 vaihe 4-johdin), 50 Hz, 400 V	3N~ (3 vaihe 4-johdin), 50 Hz, 400 V
Ulkoyksikön syöttökapasiteetti, pääkytkin (katkaisija)	*1	32 A	40 A	16 A	25 A
Johdotus Johdin nro x koko (mm ²)	Ulkoyksikön virtajohto	3 x min. 4	3 x min. 6	5 x min. 1,5	5 x min. 4
	Sisäyksikkö-Ulkoyksikkö	*2 3 x 1,5 (polaarinen)	3 x 1,5 (polaarinen)	3 x 1,5 (polaarinen)	Kaapelin pituus 50 m: 3x4 (polaarinen)/ Kaapelin pituus 80 m: 3x6 (polaarinen)
	Sisäyksikkö - Ulkoyksikkö, maa	*2 1 x min. 1,5	1 x min. 1,5	1 x min. 1,5	1 x min. 2,5
	Kauko-ohjain - Sisäyksikkö	*3 2 x 0,3 (ei-polaarinen)	2 x 0,3 (ei-polaarinen)	2 x 0,3 (ei-polaarinen)	2 x 0,3 (ei-polaarinen)
Piiirijännite	Ulkoyksikkö L-N (yksi)	*4 230 VAC	230 VAC	230 VAC	230 VAC
	Ulkoyksikkö L1-N, L2-N, L3-N (3-vaihe)	*4 230 VAC	230 VAC	230 VAC	230 VAC
	Sisäyksikkö - Ulkoyksikkö S1-S2	*4 24 VDC	24 VDC	24 VDC	24 VDC
	Sisäyksikkö - Ulkoyksikkö S2-S3	*4 12 VDC	12 VDC	12 VDC	12 VDC

*1. On hankittava piirikatkaisija, jossa kunkin navan kontaktierotus on vähintään 3,0 mm. Käytä maavuotokatkaisijaa (NV).

Varmista, että virtavuotokytkin on yhteensopiva korkeampien ylivärhätelyjen kanssa.

Käytä ainoastaan korkeampien ylivärhätelyjen kanssa yhteensopivaa virtavuotokytkintä, koska tämä yksikkö sisältää inverterin.

Puutteellisen kytkimen käyttö voi johtaa inverterin väärään toimintaan.

*2. (SHW80 - 140)

Maks. 45 m

Jos käytössä 2,5 mm², maks. 50 m

Jos käytössä 2,5 mm² ja S3 erotettu, maks. 80 m

(SHW230)

Maks. 80 m, enimmäismäärä yhteensä sisältäen kaikki sisä- ja ulkoyksikkö on 80 m.

• Käytä yhtä kaapelia liittännöille S1 ja S2 ja toista liittännöille S3 kuvan mukaisesti.

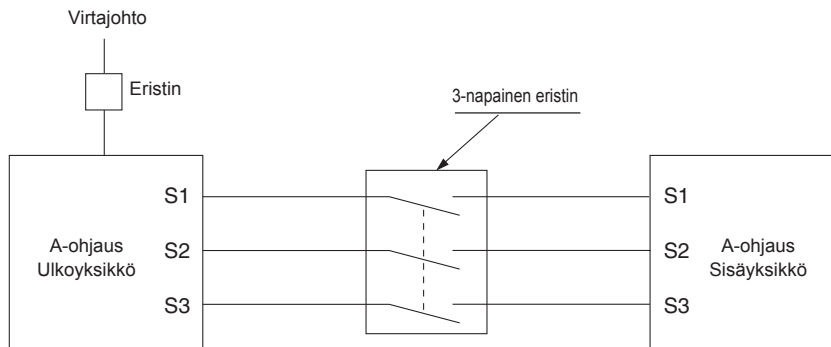
*3. 10 metrin johdin on kiinnitetty kauko-ohjaimen.

*4. Arvot EIVÄT ole aina maan suhteen.

Liittännän S3 jännite on 24 VDC liittännän S2 suhteen. Liittäjä S3 ja S1 välillä nämä EIVÄT kuitenkaan ole sähköeristettyjä muuntajan tai muun laitteen avulla.



- Huomautukset:**
- Johdinten kokojen on oltava sovellettavien paikallisten ja kansallisten sähkötekniisten määräysten mukaisia.
 - Virtajohtot sekä sisä- ja ulkoyksikön väliset liittäjäjohtot eivät saa olla kevyempiä kuin polykloropreenivaipalla suojatut taipuisat johdot. (Rakenne 60245 IEC 57)
 - Käytä maajohdinta, joka on pidempi kuin muut johdot, jotta se ei katkea jännityksen alaisena.



⚠ Varoitus:

- A-ohjausjohtimen tapauksessa terminaalissa S3 on korkean jännitteen mahdollisuus, mikä johtuu sähkövirtapiirin rakenteesta, jossa ei ole sähköeristystä virtapiirin ja yhteysignaalin johdon välillä. Siksi päävirtalähteen virransyöttö on katkaistava huoltotöiden yhteydessä. Älä myöskään koske liittäntöihin S1, S2, S3 virransyötön ollessa päällä. Jos sisä- ja ulkoyksikön välissä on käytettävä eristintä, käytä 3-napaista tyyppiä.
- Lämpötiloissa alle -20°C tarvitaan vähintään 12 tunnin odotusaika, jotta sähköosat lämpenevät.

Älä koskaan jatka virtakaapelia tai sisä- ja ulkoyksikön liittäjäkaapelia, sillä siitä voi olla seurauksena savua, tulipalo tai yhteysvika.

LIITÄNTÄKAAPELI SISÄ- JA ULKOTILOIHIN (SHW230)

Kaapelin poikkileikkaus	Johtimen koko (mm ²)	Johdinten lukumäärä	Napaisuus	L (m)*6
Pyöreä	2,5	3	Myötäpäivään : S1-S2-S3 * Huomioi keltainen ja vihreä juova	(30) *2
Litteä	2,5	3	Ei käytettävissä (Koska keskijohdossa ei ole suojaviimeistelyä)	Ei käytettävissä *5
Litteä	1,5	4	Vasemmalta oikealle: SS1-auki-S2-S3	(18) *3
Pyöreä	2,5	4	Myötäpäivään: S1-S2-S3-Auki * Liitä S1 ja S3 vastakkaiseen kulmaan	(30) *4

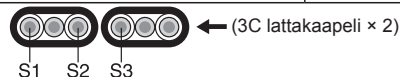
*1: Kotitalouskoneiden virtajohtot eivät saa olla standardien 60245 IEC tai 227 IEC mukaisia johtoja ohuempia.

*2: Kun keltaisella ja vihreällä juovalla varustettu kaapeli on käytettävissä.

*3: Normaaliilla napaisuudella (S1-S2-S3), johtimen koko on 1,5 mm².

*4: Normaaliilla napaisuudella (S1-S2-S3).

*5: Kun lattakaapeleiden kytkennät ovat kuvan mukaiset, niitä voidaan käyttää 30



S1 S2 S3

metriin saakka.

*6: Mainittu kaapelipituus on vain viitearvo.

Se saattaa olla erilainen riippuen asennusolosuhteista, kosteudesta tai materiaaleista jne.

Muista liittää sisä- ja ulkokäyttöön tarkoitetut kaapelit suoraan yksiköihin (ei välilytkentöjä).

Välilytkennät voivat aiheuttaa yhteyshäiriöitä, jos kaapeleihin pääsee vettä, jolloin seurauksena on riittämätön maakeristys tai huono sähkökontakti välilytkentäpisteessä.

8. Testiajo (vain ilmastointilaitteille)

8.1. Ennen testiajoa

- Kun asennus on päätetty ja sisä- ja ulkoyksiköiden johdotus ja putkitus valmis, tarkista kylmäaineen vuodot, virtajohdon tai ohjausjohdinten löyisyys, väärä napaisuus ja varmista, että virtalähteen yhtään vaihetta ei ole kytkeytynyt irti.
 - Käytä 500 voltin megaohmimittaria tarkistaaksesi, että virtalähteen liitäntöjen ja maan välinen vastus on vähintään 1 MΩ.
 - Älä tee tätä testiä ohjausjohdinten (matalajännitepiiri) liitännöissä.
- ⚠ **Varoitus:**
Älä käytä ulkoyksikköä, jos eristysvastus on alle 1 MΩ.

Eristysvastus

Asennuksen jälkeen tai kun yksikön virtalähde on ollut katkaistuna pidemmän aikaa, eristysvastus laskee alle arvon 1 MΩ kompressoriin keräytyvän kylmäaineen takia. Tämä ei tarkoita vikatoimintaa. Suorita seuraavat toimenpiteet.

1. Poista johtimet kompressorista ja mittaa kompressorin eristysvastus.
2. Jos eristysvastus on alle 1 MΩ, kompressori on viallinen tai vastus on pudonnut kompressoriin keräytyneen kylmäaineen takia.
3. Kun kompressorin johtimet on liitetty, kompressori alkaa lämmitä virransyötön käynnistämisen jälkeen. Kun virransyöttö on ollut päällä alla ilmoitetun ajan, mitata eristysvastus uudelleen.

- Eristysvastus putoaa kompressoriin keräytyneen kylmäaineen takia. Vastus nousee yli arvon 1 MΩ sen jälkeen, kun kompressori on lämmennyt 4 tunnin ajan.
(Kompressorin lämpenemiseen tarvittava aika vaihtelee riippuen ympäristön olosuhteista ja kylmäaineen keräytymisestä.)
 - Kompressoria voidaan käyttää siihen keräytyneellä kylmäaineella, kun se on lämmennyt vähintään 12 tunnin ajan vikaantumisen estämiseksi.
4. Jos eristysvastus nousee suuremmaksi kuin 1 MΩ, kompressorissa ei ole vikaa.

⚠ Huomio:

- **Kompressori ei toimi, jos virtalähteen vaiheliitäntä ei ole oikein.**
- **Kytke virta päälle vähintään 12 tunnin ajaksi ennen käytön aloittamista.**
- Käytön aloittaminen heti virran päällekytkennän jälkeen voi aiheuttaa vakavia vahinkoja sisäisissä osissa. Pidä virtakytkin päällä käyttösesongin ajan.

► Myös seuraavat seikat on tarkistettava.

- Ulkoyksikkö ei ole viallinen. Ulkoyksikön ohjaustaulun merkkivalot LED1 ja LED2 vilkkuvat, kun ulkoyksikkö on viallinen.
- Sekä kaas- että nestesulkuventtiilit ovat kokonaan auki.
- Ulkoyksikön ohjaustaulun dippikytkinpaneelissa on pintaa suojaava peitelevy. Poista suojalevy dippikytkinten käyttämiseksi.

8.2. Testiajo

8.2.1. Kytkimen SW4 käyttäminen ulkoyksikössä

SW4-1	ON	Jäähdytyskäyttö
SW4-2	OFF	
SW4-1	ON	Lämmityskäyttö
SW4-2	ON	

- * Testiajon jälkeen säädä SW4-1 tilaan OFF.
- Kun virtaa syötetään, ulkoyksikön sisältä voi kuulua pieni naksahava ääni. Elektroninen paisuntaventtiili avautuu ja sulkeutuu. Yksikkö ei ole viallinen.
- Muutama sekunti kompressorin käynnistymisen jälkeen ulkoyksikön sisältä voi kuulua kilahtava ääni. Ääni tulee tarkistusventtiilistä, koska putkien välillä on pieni paine-ero. Yksikkö ei ole viallinen.

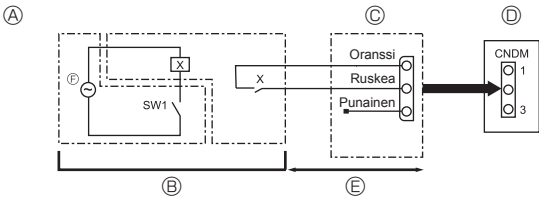
Testiajon käyttötilaa ei voi vaihtaa dippikytkimellä SW4-2 testiajon aikana. (Testiajon käyttötila voidaan vaihtaa testiajon aikana pysäyttämällä testiajo dippikytkimellä SW4-1. Kun testiajon käyttötila on vaihdettu, testiajo palauteaan kytkimellä SW4-1.)

8.2.2. Kauko-ohjaimen käyttö

Katso sisäyksikön asennusohjetta.

Huomautus: Joskus huurteenpoisto saa aikaan höyryjä, jotka saattavat näyttää siltä, kuin ulkoyksiköstä tulisi savua.

9. Erikoistoiminnot



Kuva 9-1

- A Piirikaavion esimerkki (hiljainen käyttötila) D Ulkoyksikön ohjaustaulu
B Järjestely paikan päällä E Maks. 10 m
C Ulkoinen sisääntuloadapteri F Releen virtalähde
(PAC-SC36NA-E)
X: Rele

9.1. Hiljainen käyttötila (muutostyö paikan päällä) (Kuva 9-1)

Ulkoyksikön käyntiäänän melutasoa voidaan alentaa 3–4 desibeliä suorittamalla seuraava muutos.

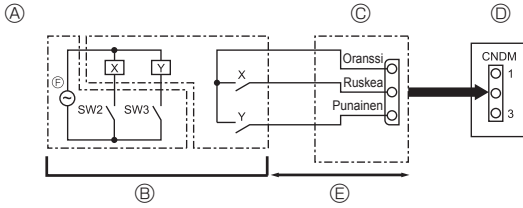
Hiljainen käyttötila voidaan toteuttaa lisäämällä ajastin tai ON/OFF-kytkimen kontaktin sisääntulo ulkoyksikön ohjaustaulun CNDM-liittimeen (lisävaruste).

- Tämä mahdollisuus vaihtelee ulkolämpötilan ja olosuhteiden mukaan, jne.

- Toteuta piiri kuvassa esitetyllä tavalla käyttäessäsi ulkoista sisääntuloadapteria (PAC-SC36NA-E). (Lisävaruste)
- SW1 ON: Hiljainen käyttötila
SW1 OFF: Normaali käyttö

Huomaus:

Kun ulkoyksikön ohjaustaulun dippikytkimet SW7-1 ja SW9-1 ovat ON-asennossa, aseta dippikytkimet SW7-1 ja SW9-1 OFF-asentoon. (Tätä tilaa ei voi käyttää tarveoiminnon kanssa.)



Kuva 9-2

- A Piirikaavion esimerkki (tarveoiminto) D Ulkoyksikön ohjaustaulu
B Järjestely paikan päällä E Maks. 10 m
C Ulkoinen sisääntuloadapteri F Releen virtalähde
(PAC-SC36NA-E)
X, Y: Rele

9.2. Tarveoiminto (muutostyö paikan päällä) (Kuva 9-2) (vain ilmastointilaitteille)

Seuraavalla muutostyöllä voidaan vähentää energiankulutusta 0–100% normaalitasosta.

Tarveoiminto voidaan toteuttaa lisäämällä kaupoista saatava ajastin tai ON/OFF-kytkimen kontaktin sisääntulo ulkoyksikön ohjaustaulun CNDM-liittimeen (lisävaruste).

- Toteuta piiri kuvassa esitetyllä tavalla käyttäessäsi ulkoista sisääntuloadapteria (PAC-SC36NA-E). (Lisävaruste)
- Ulkoyksikön ohjaustaulun kytkinasetuksilla SW7-1 energiankulutusta voidaan rajoittaa (normaaliin kulutustasoon verrattuna) kuvan esittämällä tavalla.

	SW7-1	SW2	SW3	Energiankulutus
Tarveoiminto	ON	OFF	OFF	100%
		ON	OFF	75%
		ON	ON	50%
		OFF	ON	0% (Seis)

9.3. Kylmäaineen keräytyminen (tyhjennuspumppaus)

Kun sisä-/ulkoyksikkö siirretään tai hävitetään, järjestelmä on pumpattava tyhjäksi seuraavien ohjeiden mukaan, jotta kylmäainetta ei pääsisi ilmaan.

- Kytke virransyöttö (piirikatkaisija) pois päältä.
- Kytke mittajakotukin matalapaineventtiili ulkoyksikön (matalapainepuolen) täyttötulppaan.
- Sulje nestesulkuventtiili kokonaan.
- Virransyöttö (piirikatkaisija).
 - Kun virtaa syötetään, varmista että kauko-ohjaimen näytössä ei lue "CENTRALLY CONTROLLED" (keskusohjattu). Jos näytössä lukee "CENTRALLY CONTROLLED" (keskusohjattu), kylmäaineen keräytyminen (tyhjennuspumppaus) ei voi toteutua normaalisti.
 - Sisä- ja ulkoyksikön välisen tiedonsiirtoyhteyden käynnistyminen kestää noin 3 minuuttia siitä, kun virta (piirikatkaisija) on kytketty päälle. Käynnistä tyhjennuspumppaus 3–4 minuutin kuluttua virran (piirikatkaisija) kytkemisestä päälle.

- Suorita kylmäaineen keräystoiminto (jäähdytyksen testaus).
 - Paina ulkoyksikön ohjaustaulussa olevaa tyhjennuspumppauksen SWP-kytkintä (painiketyyppinen). Kompressori ja tuulettimet (sisä- ja ulkoyksiköt) alkavat toimia (kylmäaineen keräytyminen käynnistyy). (Ulkoyksikön ohjaustaulun merkkivalot LED1 ja LED2 palavat.)
 - Paina tyhjennuspumppauksen SWP-kytkintä vain, jos yksikkö on pysähtynyt. Kylmäaineen keräämistä ei kuitenkaan voida suorittaa, jos yksikkö on pysähtynyt ja tyhjennuspumppauksen SWP-kytkintä painetaan alle 3 minuutin sisällä kompressorin pysähtymisen jälkeen. Odota kompressorin pysähtymisen jälkeen 3 minuuttia ja paina sitten tyhjennuspumppauksen SWP-kytkintä uudelleen.
- Sulje ulkoyksikön kaasuputkipuolen palloventtiili kokonaan, kun mittajakotukin painemittarin lukema on 0,05–0 MPa [mittari] (noin 0,5–0 kgf/cm²), ja pysäytä ulkoyksikkö nopeasti.

- Jos tyhjennuspumppauksen SWP-kytkintä painetaan uudelleen, yksikkö pysähtyy.
 - Koska yksikkö pysähtyy automaattisesti noin 3 minuutin kuluessa siitä, kun kylmäaineen keräytyminen on päättynyt (LED1 sammunut, LED2 palaa), sulje kaasupalloventtiili nopeasti. Jos kuitenkin LED1 palaa ja LED2 on sammunut ja yksikkö on pysähtynyt, avaa nestesulkuventtiili kokonaan ja sulje venttiili kokonaan, kun vähintään 3 minuuttia on kulunut, ja toista vaihe ⑤. (Avaa kaasupalloventtiili kokonaan.)
 - Jos kylmäaineen keräytyminen on päättynyt normaalisti (LED1 sammunut, LED2 palaa), yksikkö pysyy pysähdyksissä, kunnes virransyöttö kytketään pois päältä.
 - Huomaa, että kun paisuntaputkisto on hyvin pitkä ja siinä on paljon kylmäainetta, tyhjennuspumppaus ei ehkä pystyä suorittamaan. Kerää tässä tapauksessa järjestelmän kylmäaine kokonaan kylmäaineen talteenottoalaitteella.
- Kytke virransyöttö (piirikatkaisija) pois päältä, irrota mittajakotukki ja irrota sitten kylmäaineputket.

⚠️ Varoitus:

Kun kylmäainetta tyhjenetään pumppaamalla, kompressori on pysäytettävä ennen kylmäaineputkien irrottamista.

- Jos kylmäaineputket irrotetaan kompressorin ollessa käynnissä ja sulkuventtiiliin (palloventtiiliin) ollessa auki, putkeen saattaa päästä ilmaa ja kylmäainesyklin paine kohota liikaa, mikä voi aiheuttaa putkien halkeilua tai henkilövahinkoja jne.

9.4 ZUBADAN-pistoruiskutustoiminnon lämpötilan asettaminen

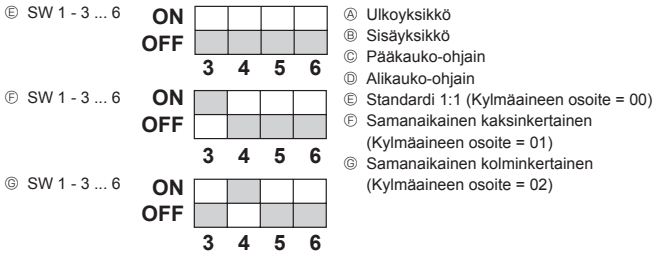
ZUBADAN-pistoruiskutus saavuttaa korkean lämmityskyvyn matalissa ulkolämpötiloissa.

- ZUBADAN-pistoruiskutustoiminnon lämpötila voidaan asettaa ulkoyksikön ohjaustaulun kytkimillä SW9-3 ja SW9-4 alla olevan taulukon mukaisesti.

SW9-3	SW9-4	Ulkolämpötila
OFF	OFF	3 °C tai vähemmän (Oletusasetus)
OFF	ON	0 °C tai vähemmän
ON	OFF	-3 °C tai vähemmän
ON	ON	-6 °C tai vähemmän

10. Järjestelmäohjaus

10.1. Ilmastointilaitteet



Kuva 10-1

* Aseta kylmäaineen osoite ulkoyksikön dippikytkimellä.

① Kauko-ohjaimesta tuleva johdotus

Tämä johdin on liitetty sisäyksikön (ei-polaarinen) TB5-liitäntään (kauko-ohjaimen liitäntäkortti).

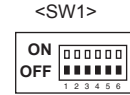
② Kun käytetään erilaista kylmäainejärjestelmän ryhmitystä.

Enintään 16 kylmäainejärjestelmää voidaan ohjata yhtenä ryhmänä käyttämällä ohutta MA-kauko-ohjainta.

Huomautus:

Yksittäisessä kylmäainejärjestelmässä (kaksin-/kolminkertainen) ei tarvita johdotusta ②.

SW1
Toimintotaulukko



	Toiminto	Käyttö kytkinasetuksen mukaan	
		ON	OFF
SW1 Toiminto- asetukset	1 Pakollinen huurteenpoisto	Käynnistys	Normaali
	2 Vikahistorian tyhjennys	Tyhjennys	Normaali
	3 Kylmäainejärjestelmän	Asetukset ulkoyksikön osoitteille 0-15	
	4 osoiteasetukset		
	5		
	6		

10.2. Ilma-vesilämpöpumppu

Aseta kylmäaineen osoite ulkoyksikön dippikytkimellä.

SW1 Toimintoasetus

SW1 Asetus	Kylmäaineen osoite	SW1 Asetus	Kylmäaineen osoite
ON OFF 3 4 5 6 7	00	ON OFF 3 4 5 6 7	03
ON OFF 3 4 5 6 7	01	ON OFF 3 4 5 6 7	04
ON OFF 3 4 5 6 7	02	ON OFF 3 4 5 6 7	05

Huomautus:

a) Enintään 6 yksikköä voidaan liittää.

b) Valitse yksi yksittäinen malli kaikille yksiköille.

c) Katso sisäyksikön dippikytkinten asetukset yksikön asennusohjeista.

11. Tekniset tiedot

Äänitaso (mitattu nimelliskäyttötaajuudella.)

			SHW80VHA	SHW112Y/VHA	SHW140YHA	SHW230YKA2
SPL	Lämmitys	dB(A)	51	52	52	59
	Jäähdytys	dB(A)	50	51	51	58
PWL	Lämmitys	dB(A)	69	70	70	75

1. Bezpečnostní opatření.....	158	7. Elektroinstalace	164
2. Místo montáže	159	8. Zkušební provoz (pouze klimatizace).....	166
3. Montáž vnější jednotky.....	161	9. Speciální funkce	167
4. Montáž potrubí chladicího média.....	161	10. Řízení systému	168
5. Vypouštěcí potrubí.....	164	11. Specifikace	168
6. Vodní potrubí (pouze tepelné čerpadlo vzduch – voda).....	164		

Poznámka: Tato značka platí pouze pro EU.

Značka se vztahuje ke směrnici 2012/19/EU, článek 14: Informace pro uživatele a příloha IX.

Produkt MITSUBISHI ELECTRIC je navržen a vyráběn z vysoce kvalitních materiálů a součástí, které lze recyklovat a znovu použít.

Značka znamená, že elektrická a elektronická zařízení je třeba na konci jejich životnosti vyhodit do tříděného odpadu.

Zařízení vyhazujte v místním centru pro sběr/recyklaci odpadu.

V zemích Evropské unie existují samostatné sběrné systémy určené pro elektrické a elektronické produkty.

Pomáhejte nám zachovat životní prostředí, ve kterém žijeme!



⚠ Pozor:

• Plyn R410A nevypouštějte do ovzduší.

■ Certifikace tepelných čerpadel

Označení "NF Heat pumps" (tepelná čerpadla s certifikací NF) představuje nezávislý certifikační program potvrzující, že výkon tepelných čerpadel a výrobní kvalita továrny odpovídají certifikační referenci NF-414. Kombinace vnitřních a vnějších jednotek a jejich aplikace, které mohou používat označení NF PAC, jsou uvedeny na webu www.marque-nf.com.

1. Bezpečnostní opatření

- ▶ Před montáží jednotky prostudujte veškerá "bezpečnostní opatření".
- ▶ Před připojením k systému tuto skutečnost oznamte a vyžádejte si souhlas od poskytovatele služeb.
- ▶ PUIH-SHW230YKA2

"Toto zařízení je v souladu s normou IEC 61000-3-12, pokud je zkratový výkon S_{sc} vyšší nebo roven hodnotě $S_{sc}(*1)$ v bodě připojení zákaznického napájení k veřejné síti. Instalátor nebo uživatel zařízení odpovídají za to, že v případě potřeby po domluvě s provozovatelem rozvodné sítě zajistí, aby bylo zařízení připojeno pouze ke zdroji napájení se zkratovým výkonem S_{sc} , který je vyšší nebo roven hodnotě $S_{sc}(*1)$."

$S_{sc}(*1)$

Model	S_{sc} (MVA)
PUIH-SHW230YKA2	1,35

⚠ Upozornění:

Bezpečnostní opatření, která je nutné dodržovat, aby nedošlo k nebezpečí zranění či smrti uživatele.

⚠ Pozor:

Bezpečnostní opatření, která je nutné dodržovat, aby nedošlo k poškození jednotky.

Po dokončení montážních prací vysvětlete zákazníkovi "bezpečnostní opatření", použití a údržbu jednotky podle informací v provozní příručce a proveďte zkušební provoz, abyste zajistili správnost provozu. Zákazník musí obdržet návod k montáži i provozní příručku. Tyto příručky musí být předány všem následným uživatelům.

⚡ : Označuje součást, kterou je nutné uzemnit.

⚠ Upozornění:

Pozorně si přečtěte štítky připevněné k hlavní jednotce.

⚠ Upozornění:

- Montáž jednotky nesmí provádět uživatel. Montáž jednotky musí provést prodejce nebo autorizovaný technik. V případě nesprávné montáže jednotky hrozí únik vody, zásah elektrickým proudem nebo požár.
- Při montáži dodržujte pokyny v návodu k montáži a používejte nástroje a součásti potrubí speciálně určené k použití s chladicím médiem R410A. Chladicí médium R410A je v systému HFC natlakováno na 1,6násobek tlaku obvyklých chladicích médií. V případě použití součástí potrubí, které nejsou určeny pro chladicí médium R410A, a nesprávné montáži jednotky hrozí prasknutí potrubí s následkem poškození nebo zranění. Rovněž hrozí únik vody, zásah elektrickým proudem nebo požár.
- Montáž jednotky musí být provedena v souladu s pokyny, aby se minimalizovalo riziko poškození v důsledku zemětřesení, tajfunů nebo silného větru. Nesprávně namontovaná jednotka může spadnout a způsobit škodu na majetku nebo zranění.
- Jednotku je nutné bezpečně namontovat na stavební konstrukci, která unese její hmotnost. Jednotka namontovaná na nestabilní stavební konstrukci by mohla spadnout a způsobit škodu na majetku nebo zranění.
- Pokud je vnější jednotka namontována v malé místnosti, je nutné provést opatření zajišťující, aby v případě úniku chladicího média koncentrace chladicího média v místnosti nepřesáhla bezpečnostní limit. O odpovídajících opatřeních pro zabránění překročení přípustné koncentrace se poradte s prodejcem. Pokud dojde k úniku chladicího média a překročení limitu koncentrace, hrozí nebezpečí vyplývající z nedostatku kyslíku v místnosti.
- Pokud během provozu dojde k úniku chladicího média, vyvětrejte místnost. Při kontaktu chladicího média s plameny dochází k uvolňování jedovatých plynů.
- Veškeré elektroinstalační práce musí provádět kvalifikovaný technik v souladu s místními předpisy a pokyny uvedenými v této příručce. Napájení jednotek musí být zajištěno pomocí vyhrazených elektrických obvodů a musí být použito správné napětí a jističe. Elektrická vedení s nedostatečnou kapacitou nebo nesprávně provedená elektroinstalace může vést k úrazu elektrickým proudem nebo vzniku požáru.
- K připojení bezešvých trubek potrubí chladicího média z mědi a slitin mědi použijte pájku C1220 měď – fosfor. Pokud není potrubí spojeno správně, nebude jednotka správně uzemněna a hrozí zásah elektrickým proudem.

- Při instalaci vedení používejte pouze určené kabely. Vodiče je třeba zapojit bezpečně tak, aby na svorky nepůsobilo žádné pnutí. Kabely nikdy nespojujte (pokud není v návodu uvedeno jinak). Nedodržení těchto pokynů může mít za následek přehřátí nebo požár.
- Krycí panel svorkovnice vnější jednotky musí být pevně zajištěn. Pokud je krycí panel nesprávně namontován a do jednotky vnikne prach a vlhkost, hrozí zásah elektrickým proudem nebo požár.
- Při montáži, přemísťování nebo opravách vnější jednotky používejte k naplnění chladicího potrubí pouze určené chladicí médium (R410A). Nemíchejte ho s jiným chladicím médiem a zajistěte, aby v potrubí nezůstal žádný vzduch. Kontakt vzduchu s chladicím médiem může být příčinou nadměrně vysokého tlaku v chladicím potrubí a může mít za následek explozi a další rizika. Jiné než určené chladicí médium může způsobit mechanické vady nebo selhání systému či celé jednotky. V nejhorším případě může dojít k vážnému selhání zajištění bezpečnosti produktu.
- Používejte pouze příslušenství schválené společností Mitsubishi Electric namontované prodejcem nebo autorizovaným technikem. V případě nesprávné montáže příslušenství hrozí únik vody, zásah elektrickým proudem nebo požár.
- Na jednotce neprovádějte úpravy. O opravách se poradte s prodejcem. V případě nesprávně provedené úpravy nebo opravy hrozí únik vody, zásah elektrickým proudem nebo požár.
- Uživatel nikdy nesmí sám provádět opravy a přemísťování jednotky. V případě nesprávné montáže jednotky hrozí únik vody, zásah elektrickým proudem nebo požár. V případě nutnosti opravy nebo přemístění vnější jednotky požádejte prodejce nebo autorizovaného technika.
- Po dokončení montáže zkontrolujte, zda nedochází k úniku chladicího média. V případě úniku chladicího média do místnosti by při styku s plamenem topného tělesa nebo přenosného vařiče došlo k uvolňování jedovatého plynu.

1.1. Postup před montáží

⚠ Pozor:

- Nepoužívejte jednotku v nestandardním prostředí. Pokud je vnější jednotka namontována v místech, na kterých je vystavena působení páry, těkavých olejů (včetně strojního oleje), oxidu siřičitého či vzduchu s vysokým obsahem soli, např. u moře, nebo je pokryta sněhem, bude výkon výrazně omezen a může dojít k poškození vnitřních součástí.
- Neumisťujte jednotku na místa, kde může docházet k úniku, tvorbě, průtoku nebo hromadění hořlavých plynů. Hořlavé plyny nahromaděné kolem jednotky mohou způsobit požár nebo výbuch.

- Při vytápění dochází ve vnější jednotce ke kondenzaci. Pokud lze předpokládat možné poškození v důsledku kondenzace, zajistěte kolem vnější jednotky odpovídající odvodnění.
- Při montáži jednotky v nemocnici nebo v komunikační provozovně je nutné předpokládat hluk a elektronické rušení. Invertoři, domácí spotřebiče, vysokofrekvenční zdravotnická zařízení a rádiová komunikační zařízení mohou způsobit poruchu nebo poškození vnější jednotky. Vnější jednotka může rovněž ovlivňovat zdravotnická zařízení a narušovat zdravotní péči a komunikační zařízení a narušovat kvalitu zobrazení na obrazovce.

1. Bezpečnostní opatření

1.2. Postup před montáží (přemíst'ování)

⚠ Pozor:

- Při přepravě a instalaci jednotek postupujte velmi opatrně. Jednotka váží 20 kg či více, proto je nutné, aby ji při manipulaci držely 2 osoby. Nedržte jednotku za balicí popruhy. Při vyjmutí jednotky z obalu a při manipulaci s jednotkou používejte ochranné rukavice. Hrozí poranění rukou o lamely nebo hrany jiných částí.
- Zajistěte bezpečnou likvidaci obalových materiálů. Obalové materiály, jako jsou hřebíky a další kovové nebo dřevěné části, mohou způsobit probodnutí či jiná zranění.

- Základnu a upevňovací prvky vnější jednotky je nutné pravidelně kontrolovat, zda nejsou povolené, popraskané či jinak poškozené. Pokud nebudou tyto defekty opraveny, jednotka může spadnout a způsobit škodu na majetku nebo zranění.
- Nečistěte vnější jednotku vodou. Hrozí zásah elektrickým proudem.
- Utáhněte všechny převlečné matice pomocí momentového klíče podle specifikací. Pokud jsou převlečné matice utaženy nadměrně, mohou po delší době prasknout a způsobit únik chladicího média.

1.3. Postup před elektroinstalací

⚠ Pozor:

- Namontujte jističe. Pokud tak neučiníte, hrozí nebezpečí úrazu elektrickým proudem.
- Pro elektrická vedení použijte standardní kabely s odpovídajícími parametry. V opačném případě může dojít ke zkratu, přehřátí nebo požáru.
- Při instalaci elektrického vedení kabely nenapínejte. Pokud dojde k povolání spojení, kabely se mohou vyvléknout nebo prasknout a může dojít k přehřátí nebo požáru.

- Jednotku uzemněte. Uzemňovací drát nepřipojujte k plynovému a vodnímu potrubí, hromosvodu ani k telefonnímu uzemňovacímu vedení. Pokud není jednotka správně uzemněna, hrozí zásah elektrickým proudem.
- Použijte jističe (proudový chránič, odpojovač (+ pojistka B) a kompaktní jistič) se stanovenou kapacitou. Při použití jističe s větší než stanovenou kapacitou může dojít k poruše nebo požáru.

1.4. Před spuštěním zkušebního provozu (pouze klimatizace)

⚠ Pozor:

- Hlavní vypínač zapněte minimálně 12 hodin před zahájením provozu. Zahájení provozu ihned po zapnutí hlavního vypínače by mohlo vést k závažnému poškození vnitřních součástí. Během provozního období ponechte hlavní vypínač zapnutý.
- Před zahájením provozu ověřte, zda jsou správně namontované veškeré panely a další ochranné součásti. Rotující a horké součásti nebo součásti pod vysokým napětím mohou způsobit zranění.

- Spínačů se nedotýkejte mokřkýma rukama. Hrozí zásah elektrickým proudem.
- Během provozu se nedotýkejte potrubí chladicího média holými rukama. Potrubí chladicího média může být v závislosti na stavu protékajícího chladicího média horké nebo studené. Při dotyku potrubí hrozí popálení nebo vznik omrzlin.
- Po zastavení provozu vyčkejte minimálně pět minut a až poté vypněte hlavní vypínač. V opačném případě hrozí únik vody nebo porucha.

1.5. Použití vnější jednotky s chladicím médiem R410A

⚠ Pozor:

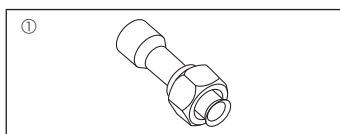
- K připojení bezešvých trubek potrubí chladicího média z mědi a slitin mědi použijte pájku C1220 měď – fosfor. Zajistěte, aby vnitřek potrubí byl čistý a neobsahoval žádné škodlivé nečistoty, jako sloučeniny síry, oxidanty, usazeniny nebo prach. Používejte potrubí určené tloušťky. (Viz 4.1.) Pokud se chystáte znovu použít potrubí přenášející chladicí médium R22, dbejte na následující upozornění.
 - Vyměňte stávající převlečné matice a znovu upravte rozšířené části.
 - Nepoužívejte tenká potrubí. (Viz 4.1.)
- Potrubí určené k použití při montáži uložte uvnitř a oba konce potrubí ponechte utěsněné až do doby bezprostředně před spájením. (Ponechte kloubové spoje apod. zabalené.) Pokud se do potrubí chladicího média dostane prach, nečistoty nebo vlhkost, může dojít ke zhoršování vlastností oleje nebo k poruše kompresoru.
- Používejte olej na bázi esteru, éteru nebo alkybenzenu (malé množství) jako chladicí olej nanesený na rozšířené části. Pokud je do chladicího oleje přimíchán minerální olej, může dojít ke zhoršování vlastností oleje.

- Nepoužívejte jiné chladicí médium než R410A. Při použití jiného chladicího média bude docházet ke zhoršování vlastností oleje působením chlóru.
- Používejte následující nástroje, které jsou speciálně určeny pro použití s chladicím médiem R410A.

Při použití chladicího média R410A jsou nutné následující nástroje. V případě otázek se obraťte na nejbližšího prodejce.

Nástroje (pro médium R410A)	
Měřicí potrubí	Rozšiřovač trubek
Doplňovací trubka	Měřidlo pro úpravu velikosti
Detektor úniku plynu	Adaptér vakuového čerpadla
Momentový klíč	Elektronické měřidlo naplnění chladicím médiem

- Používejte pouze správné nástroje. Pokud se do potrubí chladicího média dostane prach, nečistoty nebo vlhkost, může docházet ke zhoršování vlastností chladicího oleje.
- Nepoužívejte plnicí válec. Při použití plnicího válce může dojít ke změně složení chladicího média a následnému zhoršení účinnosti.



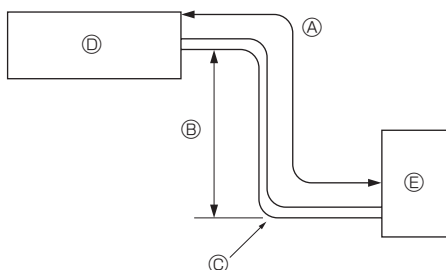
Obr. 1-1

1.6. Příslušenství vnější jednotky (obr. 1-1) (SHW230)

Vlevo jsou znázorněna příslušenství této jednotky, která jsou upevněna uvnitř servisního panelu.

① Spojovací trubka.....x1

2. Místo montáže



Obr. 2-1

2.1. Potrubí chladicího média (obr. 2-1)

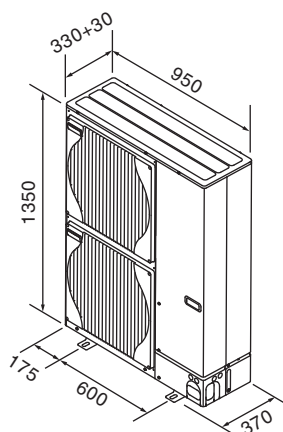
► Zkontrolujte, zda rozdíl výšek vnitřní a vnější jednotky, délka potrubí chladicího média a počet ohybů potrubí odpovídají níže uvedeným limitům.

Modely	Ⓐ Délka potrubí (jednosměrné)	Ⓑ Výškový rozdíl	Ⓒ Počet ohybů (jednosměrné)
SHW80, 112, 140	2 m – 75 m	Max. 30 m	Max. 15
SHW230	2 m – 80 m	Max. 30 m	Max. 15

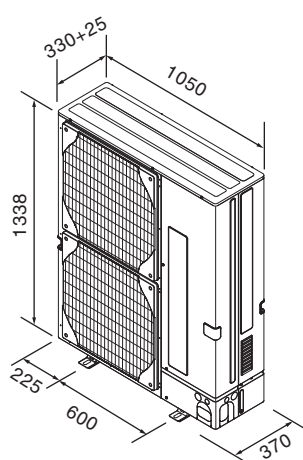
- Omezení výškového rozdílu je stanoveno bez ohledu na to, zda je výše umístěná vnitřní nebo vnější jednotka.
 - Ⓐ Vnitřní jednotka
 - Ⓑ Vnější jednotka

2. Místo montáže

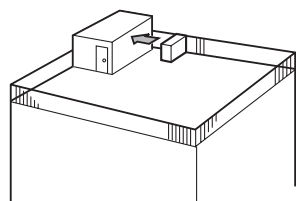
■ SHW80, 112, 140



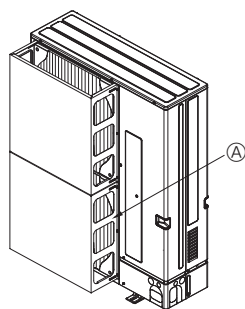
■ SHW230



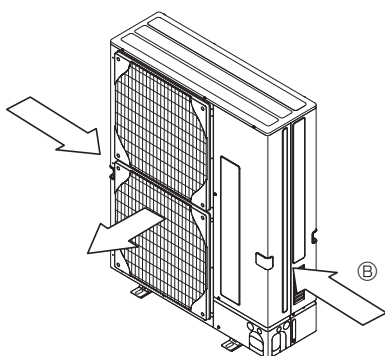
Obr. 2-2



Obr. 2-3



Obr. 2-4



Obr. 2-5

2.2. Volba místa montáže vnější jednotky

- Neumísťujte jednotku na místa, na kterých bude vystavena přímému slunečnímu záření nebo jiným zdrojům tepla.
- Zvolte místo, na kterém nebude hluk jednotky rušit sousedy.
- Zvolte místo s dobrým přístupem pro kabeláž od zdroje napájení a potrubí k vnitřní jednotce.
- Neumísťujte jednotku na místa, kde může docházet k úniku, tvorbě, průtoku nebo hromadění hořlavých plynů.
- Během provozu jednotky může docházet k vytékání vody z jednotky.
- Zvolte místo, které unese hmotnost a vibrace jednotky.
- Neumísťujte jednotku na místa, na kterých by mohla být zakryta sněhem. V oblastech, ve kterých lze předpokládat silné sněžení, jsou nutná zvláštní bezpečnostní opatření, jako je zvýšení místa montáže nebo montáž krytu nad přívod vzduchu, aby sníh neblokoval přívod vzduchu nebo nefoukal přímo proti němu. Může dojít k omezení průtoku vzduchu a poruše.
- Neumísťujte jednotku na místa, na kterých bude vystavena oleji, páře nebo oxidu siřičitému.
- Při přemísťování vnější jednotky použijte přepravní rukojeti. Pokud jednotku uchopíte zespodu, hrozí přiskřípnutí rukou nebo prstů.

2.3. Rozměry jednotky (vnější jednotka) (obr. 2-2)

2.4. Odvětrávací a servisní prostor

2.4.1. Montáž na místě se silným větrem

Při montáži vnější jednotky na střeše nebo na jiném místě nechráněném před větrem nasměrujte výstup vzduchu jednotky tak, aby nebyl přímo vystaven silnému větru. Působení silného větru na výstup vzduchu může bránit normálnímu proudění vzduchu, což může mít za následek poruchu.

Následující tři příklady ukazují opatření proti působení silného větru.

- ① Umístěte výstup vzduchu směrem k nejbližší dostupné zdi ve vzdálenosti přibližně 50 cm. (obr. 2-3)
- ② V případě montáže na místech, na kterých může silný vítr (tajfun atp.) foukat přímo do výstupu vzduchu, namontujte volitelné vedení vzduchu. (obr. 2-4)
 - Ⓐ Ochranné vedení vzduchu
- ③ Pokud je to možné, umístěte jednotku tak, aby výstup vzduchu směřoval v pravém úhlu ke směru sezónního větru. (obr. 2-5)
 - Ⓑ Směr větru

2.4.2. Montáž jedné vnější jednotky (viz poslední strana)

Minimální rozměry jsou uvedeny níže, v některých případech jsou uvedeny rozměry maximální (označené jako Max.).

Vyhledejte rozměry pro konkrétní případ.

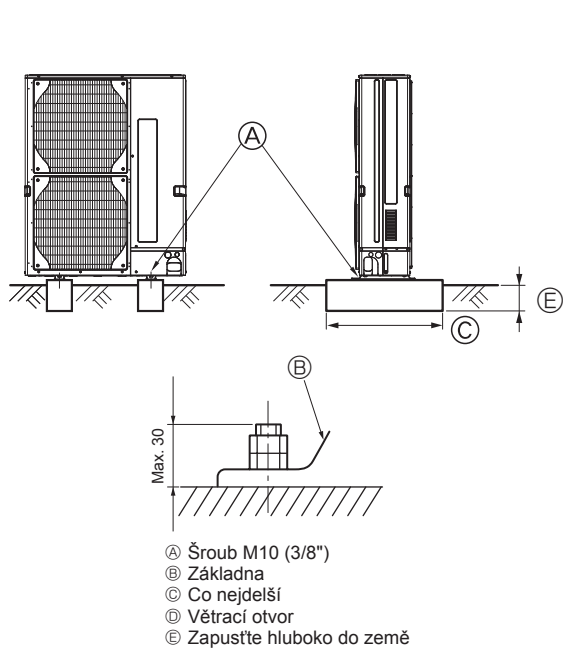
- ① Překážky pouze vzadu (obr. 2-6)
- ② Překážky pouze vzadu a nahoře (obr. 2-7)
- ③ Překážky pouze vzadu a po stranách (obr. 2-8)
- ④ Překážky pouze vepředu (obr. 2-9)
 - * Při použití volitelného vedení výstupu vzduchu je nutný volný prostor 500 mm nebo více.
- ⑤ Překážky pouze vepředu a vzadu (obr. 2-10)
 - * Při použití volitelného vedení výstupu vzduchu je nutný volný prostor 500 mm nebo více.
- ⑥ Překážky pouze vzadu, po stranách a nahoře (obr. 2-11)
 - Nemontujte volitelné vedení výstupu vzduchu pro proudění vzduchu směrem nahoru.

2.4.3. Montáž více vnějších jednotek (viz poslední strana)

Mezi jednotkami ponechte volný prostor 10 mm nebo více.

- ① Překážky pouze vzadu (obr. 2-12)
- ② Překážky pouze vzadu a nahoře (obr. 2-13)
 - Vedle sebe je povolena montáž maximálně 3 jednotek. Kromě toho ponechte vyznačený volný prostor.
 - Nemontujte volitelné vedení výstupu vzduchu pro proudění vzduchu směrem nahoru.
- ③ Překážky pouze vepředu (obr. 2-14)
 - * Při použití volitelného vedení výstupu vzduchu je nutný volný prostor 1000 mm nebo více.
- ④ Překážky pouze vepředu a vzadu (obr. 2-15)
 - * Při použití volitelného vedení výstupu vzduchu je nutný volný prostor 1000 mm nebo více.
- ⑤ Paralelní rozmístění jednotlivých jednotek (obr. 2-16)
 - * Při použití volitelného vedení výstupu vzduchu pro proudění vzduchu směrem nahoru je nutný volný prostor 1000 mm nebo více.
- ⑥ Paralelní rozmístění více jednotek (obr. 2-17)
 - * Při použití volitelného vedení výstupu vzduchu pro proudění vzduchu směrem nahoru je nutný volný prostor 1500 mm nebo více.
- ⑦ Rozmístění jednotek na sebe (obr. 2-18)
 - Na sebe lze umístit až 2 jednotky.
 - Vedle sebe je povolena montáž maximálně 2 jednotek, na kterých je umístěna další jednotka. Kromě toho ponechte vyznačený volný prostor.

3. Montáž vnější jednotky



- Jednotku namontujte na pevný a rovný povrch, aby během provozu nedrněla. (obr. 3-1)

<Specifikace základů>

Základový šroub	M10 (3/8")
Tloušťka betonu	120 mm
Délka šroubu	70 mm
Únosnost	320 kg

- Délka základových šroubů musí být do 30 mm od spodní plochy základny.
- Základnu jednotky řádně zajistíte pomocí 4 základových šroubů M10 umístěných na pevném povrchu.

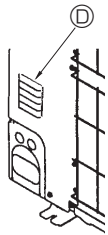
Montáž vnější jednotky

- Větrací otvor nesmí být zakrytý. Pokud je větrací otvor zakrytý, provoz bude omezený a může dojít k poruše jednotky.
- Kromě základny jednotky použijte montážní otvory na zadní straně jednotky k upevnění kabelů apod., pokud to montáž jednotky vyžaduje. Použijte samořezné šrouby ($\varnothing 5 \times 15$ mm nebo méně) k montáži na místo.

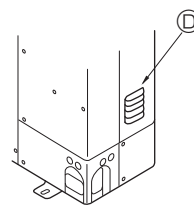
⚠ Upozornění:

- Jednotku je nutné bezpečně namontovat na stavební konstrukci, která unese její hmotnost. Jednotka namontovaná na nestabilní stavební konstrukci by mohla spadnout a způsobit škodu na majetku nebo zranění.
- Montáž jednotky musí být provedena v souladu s pokyny, aby se minimalizovalo riziko poškození v důsledku zemětřesení, tajfunů nebo silného větru. Nesprávně namontovaná jednotka může spadnout a způsobit škodu na majetku nebo zranění.

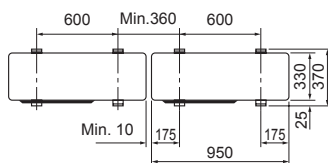
■ SHW80, 112, 140



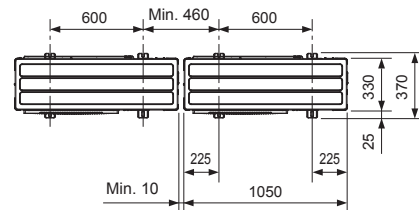
■ SHW230



■ SHW80, 112, 140



■ SHW230



Obr. 3-1

4. Montáž potrubí chladicího média

4.1. Bezpečnostní opatření pro zařízení využívající chladicí médium R410A

- Bezpečnostní opatření k použití vnější jednotky s chladicím médiem R410A, která nejsou uvedena níže, naleznete v části 1.5.
- Používejte olej na bázi esteru, éteru nebo alkylbenzenu (malé množství) jako chladicí olej nanesený na rozšířené části.
- K připojení bezešvých trubek potrubí chladicího média z mědi a slitin mědi použijte pájku C1220 měď – fosfor. Používejte potrubí chladicího média s tloušťkou podle specifikací v následující tabulce. Zajistěte, aby vnitřek potrubí byl čistý a neobsahoval žádné škodlivé nečistoty, jako sloučeniny síry, oxidanty, usazeniny nebo prach. Při pájení trubek vždy používejte pájení s ochranou proti oxidaci, jinak hrozí poškození kompresoru.

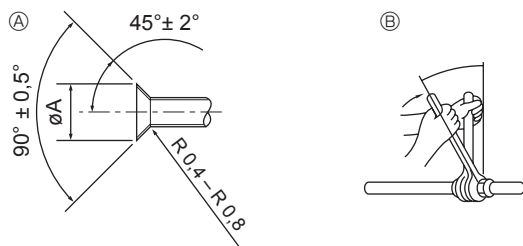
⚠ Upozornění:

Při montáži, přemístování nebo opravách vnější jednotky používejte k naplnění chladicího potrubí pouze určené chladicí médium (R410A). Nemíchejte ho s jiným chladicím médiem a zajistěte, aby v potrubí nezůstal žádný vzduch. Kontakt vzduchu s chladicím médiem může být příčinou nadměrně vysokého tlaku v chladicím potrubí a může mít za následek explozi a další rizika. Jiné než určené chladicí médium může způsobit mechanické vady nebo selhání systému či celé jednotky. V nejhorším případě může dojít k vážnému selhání zajištění bezpečnosti produktu.

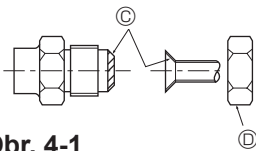
Velikost potrubí (mm)	$\phi 6,35$	$\phi 9,52$	$\phi 12,7$	$\phi 15,88$	$\phi 19,05$	$\phi 22,2$	$\phi 25,4$	$\phi 28,58$
Tloušťka (mm)	0,8	0,8	0,8	1,0	1,0	1,0	1,0	1,0

- Nepoužívejte potrubí tenčí, než je uvedeno výše.
- V případě průměru 19,05 mm nebo většího použijte potrubí 1/2 H nebo H.

4. Montáž potrubí chladicího média



Ⓐ Rozměry rozšíření
Ⓑ Uťahovací moment převlečné matice



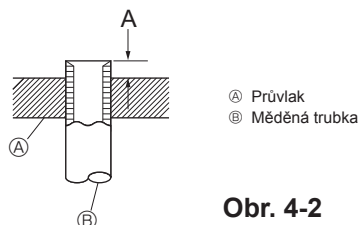
Obr. 4-1

Ⓐ (Obr. 4-1)

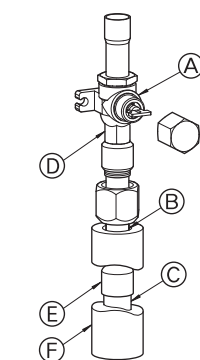
Vnější průměr měděné trubky (mm)	Rozměry rozšíření Rozměry Ø A (mm)
Ø 6,35	8,7–9,1
Ø 9,52	12,8–13,2
Ø 12,7	16,2–16,6
Ø 15,88	19,3–19,7
Ø 19,05	23,6–24,0

Ⓑ (Obr. 4-1)

Vnější průměr měděné trubky (mm)	Vnější průměr převlečné matice (mm)	Uťahovací moment (N·m)
Ø 6,35	17	14–18
Ø 6,35	22	34–42
Ø 9,52	22	34–42
Ø 12,7	26	49–61
Ø 12,7	29	68–82
Ø 15,88	29	68–82
Ø 15,88	36	100–120
Ø 19,05	36	100–120

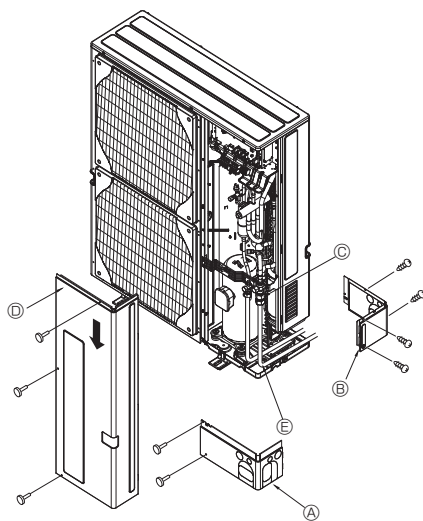


Obr. 4-2



Ⓐ Uzavírací ventil
Ⓑ Část těsnění
Ⓒ Místní potrubí
Ⓓ Část pro dvojitý klíč
Ⓔ Spojovací trubka
Ⓕ Kryt potrubí

Obr. 4-3



Ⓐ Přední kryt potrubí
Ⓑ Kryt potrubí
Ⓒ Uzavírací ventil
Ⓓ Servisní panel
Ⓔ Poloměr ohybu: 100 mm – 150 mm

Obr. 4-4

4.2. Spojení potrubí (obr. 4-1)

- Při použití komerčně dostupných měděných trubek obalte potrubí s plynem a kapalinou komerčně dostupným izolačním materiálem (odolným vůči teplotě 100 °C nebo více s tloušťkou 12 mm nebo více).
- Nezapomeňte oddělit tepelnou izolaci potrubí chladicího média s plynem a kapalinou.
- Vnitřní části vypouštěcího potrubí musí být obaleny izolačním materiálem z polyetylenové pěny (s hustotou 0,03 a tloušťkou 9 mm nebo více).
- Před utažením převlečné matice naneste na dosedací plochy potrubí a spoje tenkou vrstvu chladicího oleje. Ⓐ
- K utažení spojení potrubí použijte 2 klíče. Ⓑ
- Pomocí detektoru úniků nebo mýdlové vody zkontrolujte, zda po dokončení přípojení nedochází k úniku plynu.
- Naneste olej pro chladicí zařízení po celém dosedacím povrchu rozšířené části. Ⓒ
- Použijte převlečné matice pro následující velikost potrubí. Ⓓ

		SHW80, 112, 140	SHW230
Strana plynu	Velikost potrubí (mm)	Ø15,88	Ø25,4
Strana kapaliny	Velikost potrubí (mm)	Ø9,52	Ø12,7

- Při ohýbání trubek dávejte pozor, aby nedošlo k prasknutí. Dostatečný poloměr ohnutí je 100 mm až 150 mm.
- Ujistěte se, že se potrubí nedotýká kompresoru. Jinak může docházet k nadměrnému hluku a vibracím.
- Při připojování potrubí začněte od vnitřní jednotky.
K utažení převlečných matic použijte momentový klíč.
- Rozšířte potrubí s kapalinou a s plynem a naneste tenkou vrstvu chladicího oleje (použití na místě).
- Při použití běžného těsnění potrubí postupujte podle tabulky 1 s hodnotami rozšíření potrubí chladicího média R410A.
Ke kontrole rozměru A lze použít měřidlo pro úpravu velikosti.

Tabulka 1 (obr. 4-2)

Vnější průměr měděné trubky (mm)	A (mm)	
	Rozšiřovač trubek pro médium R410A	Rozšiřovač trubek pro média R22 a R407C
	Typ spojky	
Ø 6,35 (1/4")	0–0,5	1,0–1,5
Ø 9,52 (3/8")	0–0,5	1,0–1,5
Ø 12,7 (1/2")	0–0,5	1,0–1,5
Ø 15,88 (5/8")	0–0,5	1,0–1,5
Ø 19,05 (3/4")	0–0,5	1,0–1,5

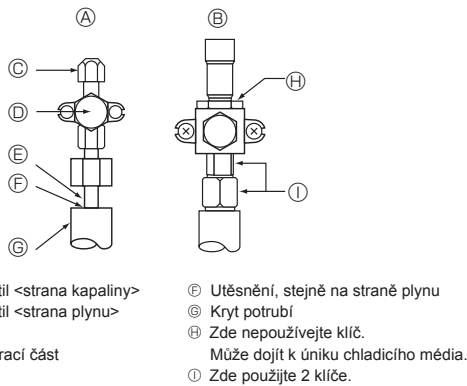
- Následující postup slouží k připojení potrubí na straně plynu. (Obr. 4-3) (SHW230)
- Pomocí místně dostupných pájecích materiálů připejte dodanou spojovací trubku Ⓒ k vnější jednotce a k místnímu potrubí Ⓓ bez kyslíku.
- Připojte spojovací trubku Ⓒ k uzavíracímu ventilu na straně plynu.
K utažení převlečné matice použijte 2 klíče.
* V případě obráceného pořadí dojde k úniku chladicího média z důvodu poškození součástí plamenem při pájení.

4.3. Potrubí chladicího média (obr. 4-4)

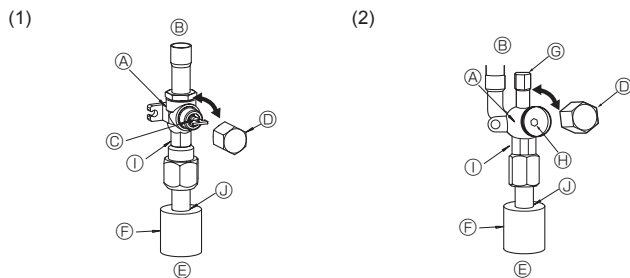
Sejměte servisní panel Ⓓ (3 šrouby), přední kryt potrubí Ⓐ (2 šrouby) a zadní kryt potrubí Ⓑ (2 šrouby: SHW80 – 140) (4 šrouby: SHW230).

- Připojení potrubí vnitřní a vnější jednotky provádějte, když je uzavírací ventil vnější jednotky zcela uzavřen.
- Vakuově odvědujte vnitřní jednotku a spojovací potrubí.
- Po připojení potrubí chladicího média zkontrolujte, zda u připojených trubek a vnitřní jednotky nedochází k úniku plynu. (Viz 4.4 Testování vzduchotěsnosti potrubí chladicí kapaliny)
- Výkonné vakuové čerpadlo připojené k servisnímu otvoru uzavíracího ventilu slouží k udržování vakua po dostatečně dlouhou dobu (alespoň jednu hodinu po dosažení tlaku –101 kPa (5 Torr)), aby došlo k vakuovému vysušení vnitřního prostoru potrubí. Vždy kontrolujte hodnotu vakua na měřicím potrubí. Pokud v potrubí zůstane vlhkost, nemusí být požadovaná hodnota vakua při krátkodobém působení vakua dosažena. Po vakuovém vysušení zcela otevřete uzavírací ventily (kapaliny i plynu) vnější jednotky. Tím dojde k úplnému propojení vnějšího a vnitřního okruhu chladicího média.
 - Pokud není vakuové sušení dostatečné, zůstanou v okruzích chladicího média vzduch a vodní výpary, které mohou způsobit nadměrné zvýšení vysokého tlaku, nadměrný pokles nízkého tlaku, zhoršení vlastností oleje v chladicím zařízení z důvodu vlhkosti apod.
 - Pokud ponecháte při provozu jednotky uzavírací ventily uzavřené, dojde k poškození kompresoru a řídicích ventilů.
 - Pomocí detektoru úniků nebo mýdlové vody zkontrolujte, zda v místech přípojení potrubí vnější jednotky nedochází k úniku plynu.
 - Nepoužívejte chladicí médium z jednotky k odvědušení potrubí chladicího média.
 - Po dokončení činnosti utáhněte uzávěry ventilů správným momentem: 20 až 25 N·m (200 až 250 kgf·cm).
Pokud nenasadíte a neutáhněte uzávěry, může dojít k úniku chladicího média. Dbejte rovněž, aby nedošlo k poškození vnitřních částí uzávěr ventilů, které slouží jako těsnění bránící úniku chladicího média.
- Pomocí těsnící hmoty utěsněte tepelnou izolace kolem částí přípojení potrubí, aby nemohlo dojít k vniknutí vody do tepelné izolace.

4. Montáž potrubí chladicího média



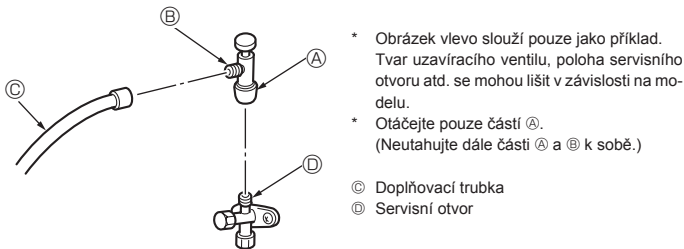
Obr. 4-5



Obr. 4-6

Obr. 4-7

- Ⓐ Ventil
- Ⓑ Strana jednotky
- Ⓒ Rukojeť
- Ⓓ Uzávěr
- Ⓔ Strana místního potrubí
- Ⓕ Kryt potrubí
- Ⓖ Servisní otvor
- Ⓗ Otvor pro klíč
- Ⓜ Část pro dvojtyp klíč (Nepoužívejte klíč na jinou část než tuto. V opačném případě dojde k úniku chladicího média.)
- Ⓝ Část těsnění (Konec tepelného izolačního materiálu v části spojení potrubí utěsněte jakýmkoli vhodným těsnícím materiálem, aby do tepelného izolačního materiálu nemohla pronikat voda.)



Obr. 4-8

4.6. Doplnění chladicího média

- Další plnění není nutné, pokud délka potrubí nepřekračuje 30 m.
- Pokud délka potrubí překračuje 30 m, doplňte jednotku chladicím médiem R410A podle přípustné délky potrubí uvedené v následující tabulce.
- * Když je jednotka zastavena, doplňte do ní chladicí médium prostřednictvím uzavíracího ventilu kapaliny poté, co bylo provedeno vakuové odvzdušnění nastaveného potrubí a vnitřní jednotky. Když je jednotka v provozu, doplňte chladicí médium do zpětného ventilu plynu pomocí bezpečnostního plniče. Nedoplňujte kapalně chladicí médium přímo do zpětného ventilu.

Model	Přípustná délka potrubí	Přípustný vertikální rozdíl	Počáteční množství naplnění chladicím médiem	Množství doplňovaného chladicího média			
				31 - 40 m	41 - 50 m	51 - 60 m	61 - 75 m
SHW80, 112, 140	2 m - 75 m	Max. 30 m	5,5 kg	0,6 kg	1,2 kg	1,8 kg	2,4 kg

Model	Přípustná délka potrubí	Přípustný vertikální rozdíl	Počáteční množství naplnění chladicím médiem	Způsob provozování	Velikost potrubí s kapalinou	Množství doplňovaného chladicího média					
						21 - 30 m	31 - 40 m	41 - 50 m	51 - 60 m	61 - 70 m	71 - 80 m
SHW230	2 m - 80 m*	Max. 30 m	7,1 kg	ATW	φ 12,7	–	1,4 kg	2,8 kg	4,2 kg	5,6 kg	7,0 kg
					φ 9,52	–	–	0,8 kg	1,7 kg	2,6 kg	3,5 kg
				ATA / AHU	φ 12,7	1,4 kg	2,8 kg	4,2 kg	5,6 kg	7,0 kg	8,4 kg
					φ 9,52	–	0,8 kg	1,7 kg	2,6 kg	3,5 kg	4,4 kg

*1. Nastavte řídicí desku SW8-2 do polohy ON (zap.), pokud je délka potrubí 10 m nebo menší (SHW230YKA2R2 nebo novější).

4.4. Testování vzduchotěsnosti potrubí chladicí kapaliny (obr. 4-5)

- (1) Připojte nástroje pro testování.
 - Zajistěte, aby uzavírací ventily Ⓐ Ⓑ byly zavřené, a neotevírejte je.
 - Zvyšte tlak v potrubí chladicího média prostřednictvím servisního portu Ⓒ uzavíracího ventilu kapaliny Ⓐ.
- (2) Nezvyšujte tlak na určenou hodnotu najednou; přidávejte tlak postupně.
 - ① Zvyšte tlak na 0,5 MPa (5 kgf/cm²G), vyčkejte 5 minut a zkontrolujte, zda se tlak nesnižuje.
 - ② Zvyšte tlak na 1,5 MPa (15 kgf/cm²G), vyčkejte 5 minut a zkontrolujte, zda se tlak nesnižuje.
 - ③ Zvyšte tlak na 4,15 MPa (41,5 kgf/cm²G) a změřte okolní teplotu a tlak chladicího média.
- (3) Pokud určená hodnota tlaku vydrží přibližně 1 den a nesnižuje se, potrubí vyhovělo testu a nedochází k únikům.
 - Pokud se okolní teplota zvýší o 1 °C, tlak se změní přibližně o 0,01 MPa (0,1 kgf/cm²G). Proveďte nezbytné korekce.
- (4) Pokud v krocích (2) nebo (3) dojde ke snížení tlaku, dochází k úniku plynu. Vyhledejte zdroj úniku plynu.

4.5. Způsob otevírání uzavíracího ventilu

Způsob otevírání uzavíracího ventilu se liší podle modelu vnější jednotky. Používejte odpovídající způsob otevírání uzavíracích ventilů.

- (1) Strana plynu (obr. 4-6)
 - ① Odstraňte uzávěr, přestavte rukojeť směrem k sobě a otočením o 1/4 otáčky proti směru hodinových ručiček ventil otevřete.
 - ② Ujistěte se, že je uzavírací ventil zcela otevřen, zatlačte rukojeť dovnitř a otočte uzávěr zpět do původní polohy.
- (2) Strana kapaliny (obr. 4-7)
 - ① Odstraňte uzávěr a otočte dřív ventilu co nejdále proti směru hodinových ručiček pomocí šestihybného klíče velikosti 4 mm. Při dosažení zářezky přestaňte otáčet. (ø9,52: přibližně 10 otáček)
 - ② Ujistěte se, že je uzavírací ventil zcela otevřen, zatlačte rukojeť dovnitř a otočte uzávěr zpět do původní polohy.

Potrubí chladicího média je v ochranném obalu.

- Potrubí lze obalit ochranným obalem do průměru ø90 před připojením či po připojení potrubí. V krytu potrubí vyřízněte otvor podél drážky a potrubí obalte. Mezera u vstupu potrubí
 - Použijte tmel nebo těsnící hmotu k utěsnění okolí vstupu potrubí tak, aby nezůstaly žádné mezery. (Pokud mezery neuzavřete, může vznikat hluk nebo do jednotky může pronikat voda a prach, což může způsobit poruchu.)

Bezpečnostní opatření při použití plničního ventilu (obr. 4-8)

Při montáži neutahujte servisní otvor nadměrně, v opačném případě se může jádro ventilu deformovat a uvolnit, což povede k úniku plynu.

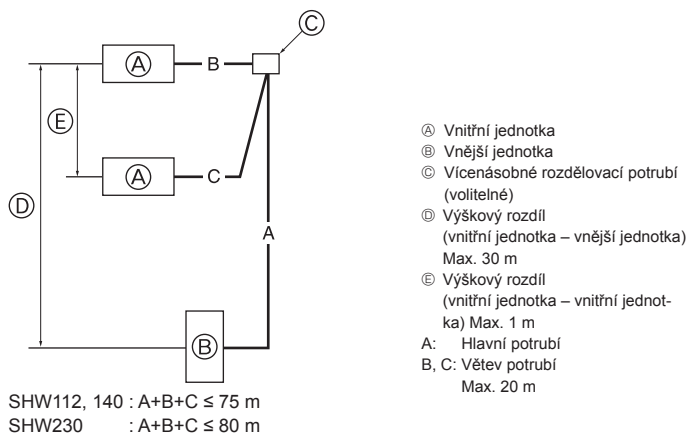
Po umístění části Ⓑ do požadovaného směru otáčejte a utahujte pouze částí Ⓐ. Neutahujte dále částí Ⓐ a Ⓑ k sobě poté, co utáhnete část Ⓐ.

⚠ Upozornění:

Při montáži jednotky před spuštěním kompresoru řádně připojte potrubí chladicího média.

4. Montáž potrubí chladicího média

<Limity montáže potrubí chladicího média>



Obr. 4-9

4.7. Kombinace dvou, tří nebo čtyř jednotek (obr. 4-9) (pouze klimatizace)

• Pokud je tato jednotka použita jako jednotka FREE COMPO MULTI, namontujte potrubí chladicího média podle omezení znázorněných na výkresu vlevo. Pokud dojde k překročení omezení nebo pokud budou kombinovány vnitřní a vnější jednotky, dbejte rovněž na informace v pokynech k montáži vnitřní jednotky.

Vnější jednotka	Přípustná celková délka potrubí A+B+C	Délka potrubí bez naplnění A+B+C
SHW112, 140	75 m nebo méně	30 m nebo méně
SHW230	80 m nebo méně	30 m nebo méně

Vnější jednotka	B-C	Počet ohybů
SHW112, 140, 230	8 m nebo méně	Do 15

5. Vypouštěcí potrubí

Připojení vypouštěcího potrubí vnější jednotky

Jednotky řady PUAZ-SHW nelze připojit k vypouštěcímu potrubí z důvodu specifikací pro chladné oblasti.

6. Vodní potrubí (pouze tepelné čerpadlo vzduch – voda)

Minimální množství vody

Ve vodním okruhu musí být následující množství vody.

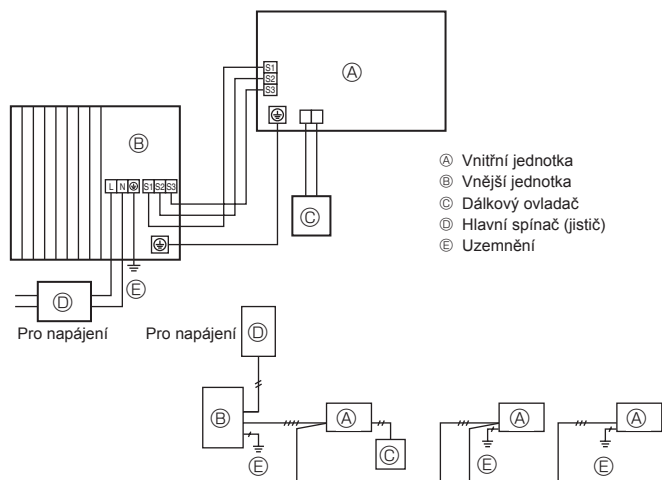
Model	Minimální množství vody (l)
SHW80	34
SHW112	48
SHW140	60
SHW230	99

Při provozu jednotky v chladicím režimu za nízkých okolních teplot (pod 0 °C) je třeba zvolit vhodná opatření pro ochranu proti zamrznutí (např. použít nemrznoucí kapalinu).

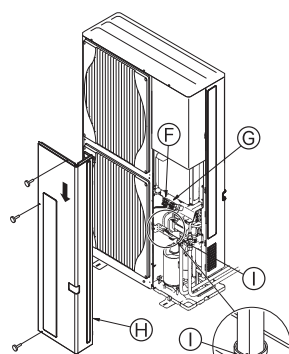
7. Elektroinstalace

7.1. Vnější jednotka (obr. 7-1, obr. 7-2)

- ① Sejměte servisní panel.
- ② Zapojte kabely podle obr. 7-1 a obr. 7-2.

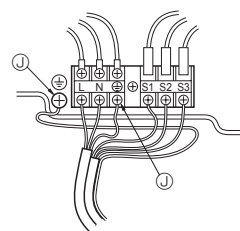


Obr. 7-1

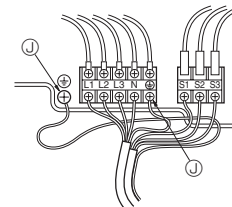


Obr. 7-2

■ SHW80, 112V



■ SHW112 - 230V



- ⑧ Svorkovnice
- ⑨ Svorkovnice připojení vnitřní/vnější jednotky (S1, S2, S3)
- ④ Servisní panel
- ① Upínadlo
- ② Svorka uzemnění

* Upevněte kabely tak, aby se nedotýkaly středu servisního panelu ani plynového ventilu.

Poznámka:

Pokud jste během servisního zákroku odstranili ochranný plášť elektrické skříně, nezapomeňte jej nasadit zpět.

⚠ Pozor:

Nainstalujte vodič N. Bez vodiče N může dojít k poškození jednotky.

Poznámka: Pouze tepelné čerpadlo vzduch – voda
 Pokud je k vnější jednotce připojeno více vnitřních jednotek (hydroboxů), připojte desku plošných spojů jedné z vnitřních jednotek a vnější jednotky (S1, S2, S3).

K vnější jednotce nelze připojit desky plošných spojů více vnitřních jednotek.

7. Elektroinstalace

7.2. Provozní elektrické kabely

Model vnější jednotky		SHW80V	SHW112V	SHW112, 140Y	SHW230Y	
Napájení vnější jednotky		~N (jednofázový), 50 Hz, 230 V	~N (jednofázový), 50 Hz, 230 V	3N~ (3 fáze, 4 vodiče), 50 Hz, 400 V	3N~ (3 fáze, 4 vodiče), 50 Hz, 400 V	
Hlavní spínač (jistič) vstupní kapacity vnější jednotky	*1	32 A	40 A	16 A	25 A	
Drát vedení č. x rozměr (mm ²)	Napájení vnější jednotky	3 × min. 4	3 × min. 6	5 × min. 1,5	5 × min. 4	
	Vnitřní jednotka – vnější jednotka	*2	3 × 1,5 (polární)	3 × 1,5 (polární)	3 × 1,5 (polární)	
	Uzemnění vnitřní jednotky – vnější jednotky	*2	1 × min. 1,5	1 × min. 1,5	1 × min. 1,5	Délka kabelu 50 m: 3×4 (polární) / Délka kabelu 80 m: 3×6 (polární)
	Dálkový ovladač vnitřní jednotky	*3	2 × 0,3 (nepolární)	2 × 0,3 (nepolární)	2 × 0,3 (nepolární)	2 × 0,3 (nepolární)
Zařízení obvodu	Vnější jednotka L-N (jednofázové)					
	Vnější jednotka L1-N, L2-N, L3-N (3fázové)	*4	230 V stř.	230 V stř.	230 V stř.	
	Vnitřní jednotka – vnější jednotka S1–S2	*4	230 V stř.	230 V stř.	230 V stř.	
	Vnitřní jednotka – vnější jednotka S2–S3	*4	24 V stejn.	24 V stejn.	24 V stejn.	
Dálkový ovladač vnitřní jednotky	*4	12 V stejn.	12 V stejn.	12 V stejn.	12 V stejn.	

*1. Musí být dodán jistič s minimálně 3,0 mm rozchodem kontaktu na obou pólech. Použijte proudový chránič (NV).

Ujistěte se, že proudový chránič je kompatibilní s vyššími harmonickými kmity.

Vždy používejte proudový chránič kompatibilní s vyššími harmonickými kmity, protože jednotka je vybavena invertorem.

Použití nevhodného jističe může způsobit nesprávnou činnost invertoru.

*2. (SHW80 - 140)

Max. 45 m

Při použití rozměru 2,5 mm², max. 50 m

Při použití rozměru 2,5 mm² a oddělené svorky S3, max. 80 m

(SHW230)

Max. 80 m. Celková max. délka včetně všech vnitřních/vnějších připojení je 80 m.

• Použijte jeden kabel pro svorky S1 a S2 a druhý kabel pro svorku S3 podle znázornění na obrázku.

*3. Vodič délky 10 m je připojen k příslušenství dálkového ovladače.

*4. Obrázky NEJSOU vždy správně orientovány vzhledem k terénu.

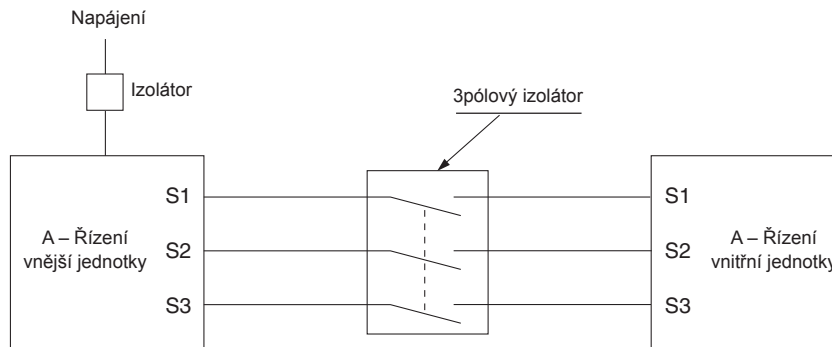
Mezi svorkami S3 a S2 je stejnosměrné napětí 24 V. Ovšem mezi svorkami S3 a S1 NEJSOU svorky elektricky izolovány transformátorem ani jiným zařízením.



Poznámky: 1. Rozměr elektrického vedení musí odpovídat místním a mezinárodním předpisům.

2. Síťové a propojovací kabely vnitřní a vnější jednotky nesmí být lehčí než ohebný drát potažený polychloroprenem. (Vzorek 60245 IEC 57)

3. Použijte zemnicí vodič, který je delší než ostatní kabely, aby nemohlo v případě natažení dojít k jeho odpojení.



⚠ Upozornění:

- V případě zapojení řízení A je na svorce S3 vysoké napětí způsobené provedením elektrického obvodu bez elektrické izolace mezi elektrickým vedením a vedením komunikačního signálu. Proto při provádění servisních prací vypněte napájení. A při zapnutém napájení se nedotýkejte svorek S1, S2 a S3. Je-li třeba mezi vnitřní a vnější jednotkou použít izolátor, použijte 3pólový typ.
- Při teplotách pod -20 °C je nutný provoz v pohotovostním režimu alespoň po dobu 12 h, aby došlo k zahřátí elektrických součástí.

Nikdy nespojujte napájecí kabel nebo propojovací kabel vnitřní a vnější jednotky, protože můžete způsobit dým, požár nebo poruchu komunikace.

PROPOJOVACÍ KABEL VNITŘNÍ A VNĚJŠÍ JEDNOTKY (SHW230)

Průřez kabelu	Velikost vodiče (mm ²)	Počet vodičů	Polarita	L (m)*6
Kulatý	2,5	3	Ve směru hodinových ručiček: S1 – S2 – S3 * Věnujte pozornost žlutému a zelenému pruhu	(30) *2
Plochý	2,5	3	Netýká se (Protože středový vodič nemá krycí povrchovou úpravu)	Netýká se *5
Plochý	1,5	4	Zleva doprava: S1 – otevřený – S2 – S3	(18) *3
Kulatý	2,5	4	Ve směru hodinových ručiček: S1 – S2 – S3 – otevřený * Vodiče S1 a S3 připojte v protilehlém úhlu	(30) *4

*1: Síťové kabely zařízení nesmí být lehčí než provedení podle normy 60245 IEC nebo 227 IEC.

*2: Pokud je použit kabel se žlutým a zeleným pruhem.

*3: V případě zapojení s normální polaritou (S1 – S2 – S3) je velikost vodiče 1,5 mm².

*4: V případě zapojení s normální polaritou (S1 – S2 – S3).

*5: Pokud jsou ploché kabely zapojeny podle znázornění, lze je použít až do délky 30 m.



*6: Uvedená délka kabelu slouží pouze jako referenční hodnota.

Může se lišit v závislosti na stavu instalace, vlhkosti, materiálu apod.

Kabely spojující vnitřní a vnější jednotku musí být zapojeny přímo k jednotkám (nejsou povoleny žádné mezilehlé spoje).

Použití mezilehlých spojů může vést k chybám komunikace, pokud do mezilehlého spoje pronikne voda, která způsobí nedostatečnou izolaci vůči uzemnění nebo nedostatečné elektrické spojení v mezilehlém spoji.

8. Zkušební provoz (pouze klimatizace)

8.1. Postup před zkušebním provozem

- Po dokončení montáže a připojení kabelů a potrubí vnitřních a vnějších jednotek zkontrolujte, zda nedochází k úniku chladicího média, zda není napájecí nebo řídicí vedení uvolněné, není-li nesprávná polarita a zda nedošlo k odpojení některé z fází zdroje napájení.
- Pomocí 500V ohmmetru ověřte, že je odpor mezi svorkami zdroje napájení a zemí alespoň 1 MΩ.
- Tento test neprovádějte na svorkách řídicího vedení (nizkonapětového obvodu).

⚠ Upozornění:

Pokud je izolační odpor menší než 1 MΩ, nepoužívejte vnější jednotku.

Izolační odpor

Po provedení montáže nebo poté, co bylo napájení jednotky delší dobu vypnuté, může hodnota izolačního odporu poklesnout pod 1 MΩ z důvodu nahromadění chladicího média v kompresoru. Nejedná se o závadu. Provedte následující postup.

1. Odpojte vodiče od kompresoru a změřte izolační odpor kompresoru.
2. Pokud je izolační odpor nižší než 1 MΩ, znamená to, že je vadný kompresor nebo že odpor poklesl z důvodu nahromadění chladicího média v kompresoru.
3. Po připojení vodičů ke kompresoru a zapnutí napájení se kompresor začne zahřívat. Poté, co je napájení připojeno po níže uvedenou dobu, změřte izolační odpor znovu.

8.2. Zkušební provoz

8.2.1. Použití spínače SW4 na vnější jednotce

SW4-1	ZAP.	Chlazení
SW4-2	VYP.	
SW4-1	ZAP.	Vytápění
SW4-2	ZAP.	

- * Po provedení zkušebního provozu vypněte spínač SW4-1.
- Po zapnutí napájení může být z vnější jednotky slyšet tichý klepavý zvuk. Dochází k otevírání a zavírání elektronického expanzního ventilu. Jednotka není vadná.

- Pokles odporu je způsoben nahromaděním chladicího média v kompresoru. Po zahřívání kompresoru po dobu 4 hodin se hodnota izolačního odporu zvýší nad 1 MΩ.
(Doba nezbytná k zahřátí kompresoru se liší v závislosti na atmosférických podmínkách a míře nahromadění chladicího média.)
- Pokud došlo k hromadění chladicího média v kompresoru, je nutné před zahájením provozu kompresor zahřívát po dobu 12 hodin, aby nedošlo k poškození.
- 4. Pokud se hodnota izolačního odporu zvýší nad 1 MΩ, není kompresor poškozený.

⚠ Pozor:

- **Pokud jsou fáze napájení nesprávně zapojeny, kompresor nebude fungovat.**
- **Napájení zapněte minimálně 12 hodin před zahájením provozu.**
- Zahájení provozu okamžitě po zapnutí hlavního vypínače by mohlo vést k závažnému poškození vnitřních součástí. Během provozního období ponechte hlavní vypínač zapnutý.
- **Rovněž je nutné zkontrolovat následující skutečnosti.**
- Vnější jednotka není vadná. Indikátory LED1 a LED2 na řídicí desce vnější jednotky blikají, když je vnější jednotka vadná.
- Uzavírací ventily plynu a kapaliny jsou zcela otevřené.
- Panel DIP spínačů na řídicí desce vnější jednotky je zakryt ochranným pláštěm. Odstraňte ochranný plášť, abyste měli lepší přístup k ovládání DIP spínačů.

- Po několika sekundách od spuštění kompresoru může být z vnější jednotky slyšet kovový zvuk. Tento zvuk vychází ze zpětného ventilu z důvodu malého rozdílu tlaku v potrubích. Jednotka není vadná.

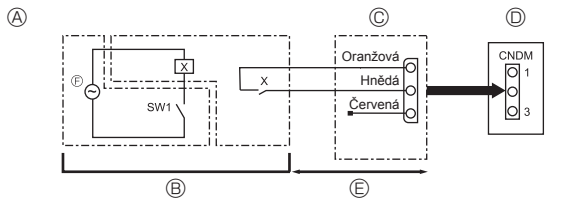
Během zkušebního provozu nelze pomocí DIP spínače SW4-2 změnit režim zkušebního provozu. (Chcete-li změnit režim zkušebního provozu v jeho průběhu, zastavte zkušební provoz pomocí DIP spínače SW4-1. Po změně režimu obnovte zkušební provoz pomocí DIP spínače SW4-1.)

8.2.2. Použití dálkového ovladače

Viz návod k montáži vnitřní jednotky.

Poznámka: Může se stát, že výpary vznikající během odmrazování budou vypadat jako kouř vycházející z vnější jednotky.

9. Speciální funkce



Obr. 9-1

- A Příklad schématu zapojení (režim nízké hlučnosti)
 B Rozmístění na místě
 C Externí vstupní adaptér (PAC-SC36NA-E)
 X: Relé
 D Řídicí panel vnější jednotky
 E Max. 10 m
 F Zdroj napájení relé

9.1. Režim nízké hlučnosti (úprava na místě) (obr. 9-1)

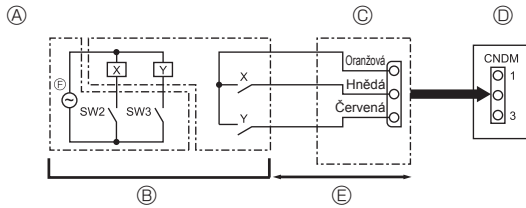
Provedením následující úpravy můžete snížit hlučnost provozu vnější jednotky přibližně o 3–4 dB.

Režim nízké hlučnosti lze aktivovat, pokud je ke konektoru CNDM (volitelný) řídicí desky vnější jednotky připojen komerčně dostupný časový spínač nebo kontaktní vstup spínače ON/OFF (zap./vyp.).

- Míra hlučnosti závisí na venkovní teplotě a dalších podmínkách.
- Při použití externího vstupního adaptéru (PAC-SC36NA-E) zapojte obvod uvedeným způsobem. (Volitelné)
- SW1 ZAP.: Režim nízké hlučnosti
SW1 VYP.: Normální provoz

Poznámka:

Když jsou DIP spínače SW7-1 a SW9-1 na řídicí desce vnější jednotky v poloze ON (zap.), nastavte DIP spínače SW7-1, SW9-1 do polohy OFF (vyp.). (Tento režim nelze používat společně s funkcí aktivace dle poptávky.)



Obr. 9-2

- A Příklad schématu zapojení (funkce aktivace dle poptávky)
 B Rozmístění na místě
 C Externí vstupní adaptér (PAC-SC36NA-E)
 X, Y: Relé
 D Řídicí panel vnější jednotky
 E Max. 10 m
 F Zdroj napájení relé

9.2. Funkce aktivace dle poptávky (úprava na místě) (obr. 9-2) (Pouze klimatizace)

Provedením následující úpravy lze snížit spotřebu energie na 0–100 % normální hodnoty. Funkci aktivace dle poptávky lze aktivovat, pokud je ke konektoru CNDM (volitelný) řídicí desky vnější jednotky připojen komerčně dostupný časový spínač nebo kontaktní vstup spínače ON/OFF (zap./vyp.).

- Při použití externího vstupního adaptéru (PAC-SC36NA-E) zapojte obvod uvedeným způsobem. (Volitelné)
- Nastavením spínače SW7-1 na řídicí desce vnější jednotky lze snížit spotřebu energie (ve srovnání s normální spotřebou) podle následující tabulky.

	SW7-1	SW2	SW3	Spotřeba energie
Funkce aktivace dle poptávky	ZAP.	VYP.	VYP.	100 %
		ZAP.	VYP.	75 %
		ZAP.	ZAP.	50 %
		VYP.	ZAP.	0 % (Vypnutí)

9.3. Odčerpání chladicího média (vyprázdnění)

Pokud přemístíte nebo odstraňujete vnitřní/vnější jednotku, vyčerpajte systém podle níže uvedeného postupu, aby nedošlo k uvolnění chladicího média do ovzduší.

- Vypněte napájení (jistič).
- Připojte nízkotlaký ventil na měřicím potrubí k plicímu uzávěru (na nízkotlaké straně) vnější jednotky.
- Zcela uzavřete uzavírací ventil kapaliny.
- Zapněte napájení (jistič).
 - Když je zapnuto napájení, ujistěte se, že se na dálkovém ovladači nezobrazuje hlášení "CENTRALLY CONTROLLED" (Centrálně řízeno). Pokud se zobrazuje hlášení "CENTRALLY CONTROLLED" (Centrálně řízeno), nelze odčerpání chladicího média (vyprázdnění) provést normálně.
 - Zahájení komunikace mezi vnitřní a vnější jednotkou trvá přibližně 3 minuty po zapnutí napájení (jističe). Proces odčerpání spustíte přibližně 3 až 4 minuty po zapnutí napájení (jističe).
- Proveďte odčerpání chladicího média (zkušební provoz chlazení).
 - Stiskněte spínač odčerpání SWP (tlačítko) na řídicí desce vnější jednotky. Kompresor a ventilátory (vnitřní a vnější jednotky) začnou pracovat (proces odčerpání chladicího média je zahájen). (Indikátory LED1 a LED2 na řídicí desce vnější jednotky svítí.)
 - Spínač odčerpání SWP stiskněte pouze tehdy, když je jednotka vypnutá. Pokud je však jednotka vypnutá a spínač odčerpání SWP je stisknut méně než 3 minuty po zastavení kompresoru, nelze odčerpání chladicího média provést. Vyčkejte alespoň 3 minuty od zastavení kompresoru a stiskněte spínač odčerpání SWP znovu.
- Zcela zavřete kulový ventil na straně plynového potrubí vnější jednotky, když se na tlakoměru zobrazí hodnota 0,05 až 0 MPa [tlakoměr] (přibl. 0,5 až 0 kgf/cm²) a rychle vypněte vnější jednotku.
 - Když spínač odčerpání SWP stisknete znovu, jednotka se vypne.

*Protože se jednotka automaticky vypne přibližně po 3 minutách od dokončení postupu odčerpání chladicího média (LED1 nesvítí, LED2 svítí), je nutné, abyste kulový ventil zavřeli rychle. Pokud však indikátor LED1 svítí, indikátor LED2 nesvítí a jednotka je vypnutá, otevřete zcela uzavírací ventil kapaliny, po uplynutí 3 nebo více minut ventil zcela zavřete, a poté zopakujte krok ⑤. (Zcela otevřete kulový ventil plynu.)

*Pokud byl proces odčerpání chladicího média dokončen normálně (LED1 nesvítí, LED2 svítí), zůstane jednotka vypnutá, dokud nevypnete napájení.

*Upozorňujeme, že pokud je prodlužovací potrubí příliš dlouhé a obsahuje velké množství chladicího média, nemusí být možné odčerpání provést. V takovém případě použijte vybavení pro vytěžení chladicího média a odčerpajte ze systému veškeré chladicí médium.

- Vypněte napájení (jistič), odmontujte měřicí potrubí a poté odpojte potrubí chladicího média.

⚠ Upozornění:

Při vypouštění chladicího média vypněte před odpojením potrubí chladicího média kompresor.

- Pokud dojde k odpojení potrubí chladicího média, když běží kompresor a uzavírací ventil (kulový ventil) je otevřený, může se tlak chladicího cyklu při natažení vzduchu extrémně zvýšit a způsobit prasknutí potrubí, poranění osob atd.

9.4 Nastavení teploty funkce přímého vstřikování ZUBADAN

Funkce přímého vstřikování ZUBADAN dosahuje vysokého výkonu topení při nízkých venkovních teplotách.

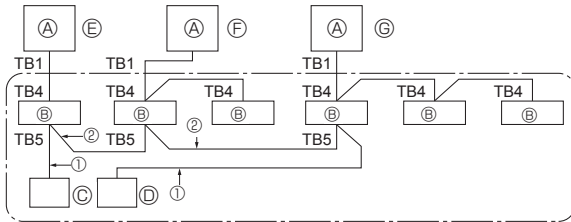
- Spínače SW9-3 a SW9-4 na řídicí desce vnější jednotky umožňují nastavení dostupné teploty pro funkci přímého vstřikování ZUBADAN podle následující tabulky.

SW9-3	SW9-4	Venkovní teplota
VYP.	VYP.	3 °C nebo méně (Výchozí nastavení)
VYP.	ZAP.	0 °C nebo méně
ZAP.	VYP.	-3 °C nebo méně
ZAP.	ZAP.	-6 °C nebo méně

10. Řízení systému

10.1. Klimatizace

- Ⓔ SW 1 – 3 až 6
- | | | | | | |
|------|--------------------------|--------------------------|--------------------------|--------------------------|--------------------------|
| ZAP. | <input type="checkbox"/> | <input type="checkbox"/> | <input type="checkbox"/> | <input type="checkbox"/> | <input type="checkbox"/> |
| VYP. | <input type="checkbox"/> | <input type="checkbox"/> | <input type="checkbox"/> | <input type="checkbox"/> | <input type="checkbox"/> |
| | 3 | 4 | 5 | 6 | |
- Ⓐ Vnější jednotka
Ⓑ Vnitřní jednotka
Ⓒ Hlavní dálkový ovladač
Ⓓ Podřízený dálkový ovladač
Ⓔ Standard 1:1 (adresa chladicího systému = 00)
Ⓕ Dvě jednotky současně (adresa chladicího systému = 01)
Ⓖ Tři jednotky současně (adresa chladicího systému = 02)
- Ⓔ SW 1 – 3 až 6
- | | | | | | |
|------|--------------------------|--------------------------|--------------------------|--------------------------|--------------------------|
| ZAP. | <input type="checkbox"/> | <input type="checkbox"/> | <input type="checkbox"/> | <input type="checkbox"/> | <input type="checkbox"/> |
| VYP. | <input type="checkbox"/> | <input type="checkbox"/> | <input type="checkbox"/> | <input type="checkbox"/> | <input type="checkbox"/> |
| | 3 | 4 | 5 | 6 | |
- Ⓔ SW 1 – 3 až 6
- | | | | | | |
|------|--------------------------|--------------------------|--------------------------|--------------------------|--------------------------|
| ZAP. | <input type="checkbox"/> | <input type="checkbox"/> | <input type="checkbox"/> | <input type="checkbox"/> | <input type="checkbox"/> |
| VYP. | <input type="checkbox"/> | <input type="checkbox"/> | <input type="checkbox"/> | <input type="checkbox"/> | <input type="checkbox"/> |
| | 3 | 4 | 5 | 6 | |



Obr. 10-1

* Nastavte adresu chladicího média pomocí DIP spínače na vnější jednotce.

① Zapojení dálkového ovladače

Tento vodič je připojen k desce TB5 (svorkovnice dálkového ovladače) vnitřní jednotky (nepolární).

② Při použití jiného seskupení chladicích systémů.

Pomocí tenkého dálkového ovladače MA lze ovládat až 16 chladicích systémů v rámci jedné skupiny.

Poznámka:

V jednom chladicím systému (se dvěma či třemi jednotkami) není zapojení ② nutné.

SW1

Tabulka funkcí

<SW1>



	Funkce	Provoz podle nastavení spínače	
		ZAP.	VYP.
Nastavení funkcí spínače SW1	1 Vynucené odmrazování	Spuštění	Normální
	2 Vymazání historie chyb	Vymazání	Normální
	3 Nastavení adresy chladicího systému	Nastavení adresy vnější jednotky 0 až 15	
	4		
	5		
	6		

10.2. Tepelné čerpadlo vzduch – voda

Nastavte adresu chladicího média pomocí DIP spínače na vnější jednotce.

Nastavení funkce SW1

Nastavení SW1	Adresa chladicího systému	Nastavení SW1	Adresa chladicího systému
ZAP. <input type="checkbox"/> VYP. <input type="checkbox"/> 3 4 5 6 7	00	ZAP. <input type="checkbox"/> VYP. <input type="checkbox"/> 3 4 5 6 7	03
ZAP. <input type="checkbox"/> VYP. <input type="checkbox"/> 3 4 5 6 7	01	ZAP. <input type="checkbox"/> VYP. <input type="checkbox"/> 3 4 5 6 7	04
ZAP. <input type="checkbox"/> VYP. <input type="checkbox"/> 3 4 5 6 7	02	ZAP. <input type="checkbox"/> VYP. <input type="checkbox"/> 3 4 5 6 7	05

Poznámka:

a) Připojit lze až 6 jednotek.

b) Vybírejte jeden model pro všechny jednotky.

c) Informace o nastavení DIP spínačů vnitřních jednotek naleznete v návodu k montáži

11. Specifikace

Úroveň hluku (Měřeno při běžné provozní frekvenci.)

			SHW80VHA	SHW112Y/VHA	SHW140YHA	SHW230YKA2
SPL	Topení	dB(A)	51	52	52	59
	Chlazení	dB(A)	50	51	51	58
PWL	Topení	dB(A)	69	70	70	75

Spis treści

1. Zalecenia bezpieczeństwa	169	7. Instalacja elektryczna	175
2. Miejsce instalacji	170	8. Ruch próbny (dotyczy tylko klimatyzatorów)	177
3. Instalacja jednostki zewnętrznej	172	9. Funkcje specjalne	178
4. Instalacja rur czynnika chłodniczego	172	10. Sterowanie systemem	179
5. Przewody spustowe	175	11. Dane techniczne	179
6. Podłączanie wodociągu (dotyczy tylko pompy ciepła powietrze-woda)	175		



Uwaga: Ten symbol dotyczy wyłącznie krajów członkowskich UE.

Ten symbol jest zgodny z dyrektywą 2012/19/WE art. 14: Informacje dla użytkowników i Załącznikiem IX.

Produkt MITSUBISHI ELECTRIC jest wykonany z wysokiej jakości materiałów i komponentów, nadających się do recyklingu i ponownego wykorzystania. Symbol ten oznacza, że sprzęt elektryczny i elektroniczny, po zakończeniu okresu eksploatacji, nie powinien być utylizowany razem z odpadami domowymi. Urządzenie należy zutylizować w lokalnym centrum zbiórki odpadów/recyklingu.

W Unii Europejskiej obowiązują osobne systemy zbiórki odpadów dla zużytych produktów elektrycznych i elektronicznych.

Pomóż nam chronić środowisko, w którym żyjemy!

⚠️ Przystroga:

- Wypuszczenie czynnika R410A do atmosfery jest zabronione:

■ Certyfikacja pomp ciepła

Oznaczenie "NF Heat pumps" oznacza udział w niezależnym programie certyfikacji i potwierdza, że wydajność i fabryczna jakość wykonania pomp ciepła są zgodne z normą NF-414. Na stronie internetowej www.marque-nf.com można sprawdzić, jakim kombinacjom jednostek wewnętrznych i jednostek zewnętrznych oraz ich zastosowaniu nadano oznaczenie NF PAC.

1. Zalecenia bezpieczeństwa

- ▶ Przed instalacją urządzenia zapoznać się z wszystkimi "Zaleceniami bezpieczeństwa".
- ▶ Przed podłączeniem systemu należy to zgłosić lub uzyskać zgodę dostawcy energii elektrycznej.
- ▶ PUAHZ-SHW230YKA2
"To urządzenie jest zgodne z normą IEC 61000-3-12 przy założeniu, że moc zwarcia S_{sc} w miejscu podłączenia instalacji użytkownika do sieci publicznej jest większa lub równa S_{sc} (*1). Instalator lub użytkownik urządzenia, w razie potrzeby w porozumieniu z administratorem sieci rozdzielczej, powinien dopilnować, aby urządzenie zostało podłączone tylko do zasilania o mocy zwarcia S_{sc} , która jest większa lub równa S_{sc} (*1)"

Model	S_{sc} (MVA)
PUHZ-SHW230YKA2	1,35

⚠️ Ostrzeżenie:

- Użytkownik nie może samodzielnie instalować urządzenia. W tym celu należy zwrócić się do sprzedawcy lub uprawnionego technika. Nieprawidłowa instalacja urządzenia może być przyczyną nieszczelności, porażenia prądem lub pożaru.
- Podczas prac instalacyjnych należy postępować według zaleceń podanych w Instrukcji instalacji oraz używać narzędzi i rur specjalnie przeznaczonych do użytku z czynnikiem chłodniczym R410A. Ciśnienie robocze czynnika chłodniczego R410A w układzie HFC jest 1,6-krotnie wyższe niż ciśnienie konwencjonalnych czynników chłodniczych. W przypadku użycia rur nieprzeznaczonych dla czynnika chłodniczego R410A i nieprawidłowej instalacji urządzenia rury mogą pękać, powodując uszkodzenia lub obrażenia ciała. Grozi to także nieszczelnością, porażeniem prądem lub pożarem.
- Urządzenie należy zainstalować zgodnie z instrukcją celem zminimalizowania ryzyka powstania uszkodzeń spowodowanych trzęsieniem ziemi, tajfunem lub silnym wiatrem. Nieprawidłowo zainstalowane urządzenie może spaść z wysokości i spowodować szkody materialne i/lub obrażenia ciała.
- Urządzenie należy zamontować na konstrukcji, która bezpiecznie wytrzyma jego ciężar. W przypadku montażu na niestabilnej konstrukcji urządzenie może spaść z wysokości i spowodować szkody materialne i/lub obrażenia ciała.
- Jeśli jednostka zewnętrzna zostanie zainstalowana w małym pomieszczeniu, należy podjąć odpowiednie kroki, aby w razie wycieku stężenie czynnika chłodniczego w pomieszczeniu nie przekroczyło bezpiecznego poziomu. W sprawie odpowiednich kroków mających zapobiec zbyt dużemu stężeniu czynnika chłodniczego należy skontaktować się ze sprzedawcą. W razie wycieku i przekroczenia bezpiecznego poziomu czynnika chłodniczego w pomieszczeniu istnieje zagrożenie zmniejszenia zawartości tlenu w powietrzu.
- Jeśli podczas pracy dojdzie do wycieku czynnika chłodniczego, należy przewietrzyć dane pomieszczenie. Jeśli dojdzie do kontaktu czynnika chłodniczego z ogniem, zostaną uwolnione trujące gazy.
- Wszystkie prace elektryczne muszą być prowadzone przez wykwalifikowanego elektryka zgodnie z lokalnymi przepisami i zaleceniami podanymi w niniejszej Instrukcji. Do zasilania urządzenia należy użyć dedykowanych przewodów i odpowiednich wyłączników oraz wartości napięcia. Użycie przewodów nieodpowiednich do wartości obciążenia lub niewłaściwe wykonanie prac elektrycznych może być przyczyną porażenia prądem lub pożaru.
- W przypadku bezszwowych rur miedzianych lub ze stopów miedzi do łączenia rur czynnika chłodniczego należy używać stopu miedzi z fosforem C1220. Jeśli rury nie zostaną połączone prawidłowo, urządzenie nie będzie odpowiednio uziemione i może dojść do porażenia prądem elektrycznym.

1.1. Przed instalacją

⚠️ Przystroga:

- Nie używać urządzenia w środowisku odbiegającym od normalnego. Jeśli jednostka zewnętrzna jest zainstalowana w miejscu narażonym na działanie pary wodnej, olejków eterycznych (w tym oleju maszynowego), zasilarczego gazu, powietrza zawierającego sól, na przykład na wybrzeżu lub w miejscu, gdzie może zostać zasypana śniegiem, jej wydajność może znacząco się obniżyć, a części wewnętrzne mogą ulec uszkodzeniu.
- Nie instalować urządzenia w miejscach, w których może dojść do wycieku, powstania, przepływu lub nagromadzenia palnych gazów. Gaz palny nagromadzony wokół urządzenia może być przyczyną pożaru lub wybuchu.
- Podczas ogrzewania w jednostce zewnętrznej powstają skropliny. Jeśli taki kondensat może spowodować szkody, należy odprowadzić go poza urządzenie.
- W przypadku instalacji urządzenia w szpitalu lub w obiekcie, w którym są zainstalowane systemy telekomunikacji, mogą występować szumy i zakłócenia elektroniczne. Falowniki, sprzęt AGD, sprzęt medyczny pracujący na wysokiej częstotliwości oraz systemy łączności radiowej mogą powodować awarię lub uszkodzenie jednostki zewnętrznej. Jednostka zewnętrzna również może powodować nieprawidłowości w pracy sprzętu medycznego i urządzeń telekomunikacyjnych, obniżając jakość obrazu na monitorach.

1. Zalecenia bezpieczeństwa

1.2. Przed instalacją (przeniesienie w inne miejsce)

⚠ Przewaga:

- Zachować szczególną ostrożność przy transporcie i instalacji urządzeń. Urządzenie waży 20 kg lub więcej i musi być przenoszone przez min. 2 osoby. Nie chwycić za taśmę opakowania. Podczas rozpakowywania i przenoszenia urządzenia należy nosić rękawice ochronne w celu ochrony rąk przed zranieniem spowodowanym użebrowaniem lub krawędziami innych części.
- Zapewnić bezpieczną utylizację materiału opakowania. Materiały opakowania, takie jak gwoździe i inne elementy metalowe oraz drewniane, mogą spowodować rany klute i inne obrażenia ciała.
- Należy okresowo sprawdzać, czy podstawa montażowa i mocowania jednostki zewnętrznej nie są odkręcone, pęknięte lub w inny sposób uszkodzone. Nieusunięcie takich usterek może doprowadzić do upadku urządzenia, powodując uszkodzenie i obrażenia ciała.
- Nie używać wody do mycia jednostki zewnętrznej. Ryzyko porażenia prądem elektrycznym.
- Dokręcić nakrętki kielichowe zgodnie ze specyfikacją, używając klucza dynamometrycznego. Zbyt mocne dokręcenie może doprowadzić do pęknięcia nakrętki kielichowej po dłuższym czasie i wycieku czynnika chłodniczego.

1.3. Przed rozpoczęciem prac na wyposażeniu elektrycznym

⚠ Przewaga:

- Upewnić się, że zainstalowano wyłączniki automatyczne. Ich brak może być przyczyną porażenia prądem elektrycznym.
- Do doprowadzenia zasilania użyć standardowych kabli odpowiednich do wielkości obciążenia. W przeciwnym razie może dojść do zwarcia, przegrzania lub pożaru.
- Kable zasilające układać tak, aby nie były naprężone. Poluzowanie połączeń może spowodować pęknięcie lub przerwanie oraz przegrzanie kabli, a w konsekwencji pożar.
- Wykonać prawidłowe uziemienie urządzenia. Nie łączyć przewodu uziemiającego z rurami gazowymi ani wodnymi, instalacją odgromową ani z telefonicznymi przewodami uziemiającymi. Niewłaściwe uziemienie urządzenia może stwarzać ryzyko porażenia prądem elektrycznym.
- Zastosować wyłączniki automatyczne (wyłączniki ziemnozwarciowe, odłączniki (bezpieczniki +B) oraz automatyczne wyłączniki kompaktowe) spełniające wymagania w zakresie podanego progu zadziałania. Użycie wyłączników o progu zadziałania większym niż podany może być przyczyną uszkodzenia urządzenia lub pożaru.

1.4. Przed rozpoczęciem pracy próbnej (dotyczy tylko klimatyzatorów)

⚠ Przewaga:

- Włączyć główny przełącznik zasilania na min. 12 h przed rozpoczęciem pracy. Uruchomienie urządzenia natychmiast po włączeniu zasilania może spowodować poważne uszkodzenie podzespołów wewnętrznych. Podczas eksploatacji urządzenia nie wyłączać głównego wyłącznika zasilania.
- Przed rozpoczęciem pracy urządzenia sprawdzić, czy wszystkie osłony, obudowy oraz pozostałe zabezpieczenia zostały prawidłowo założone. Części wirujące, gorące lub znajdujące się pod wysokim napięciem mogą powodować obrażenia ciała.
- Nie dotykać żadnych przełączników wilgotnymi rękoma. Ryzyko porażenia prądem elektrycznym.
- Podczas pracy nie dotykać przewodów czynnika chłodniczego gołymi rękoma. Przewody te są gorące lub zimne zależnie od stanu przepływającego w nich czynnika chłodniczego. Dotknięcie rur grozi poparzeniem lub odmrożeniem.
- Po zakończeniu pracy odczekać min. 5 minut przed wyłączeniem głównego wyłącznika zasilania. W przeciwnym razie może dojść do wycieku wody lub uszkodzenia urządzenia.

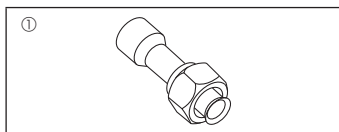
1.5. Używanie jednostki zewnętrznej z czynnikiem chłodniczym R410A

⚠ Przewaga:

- W przypadku bezszwowych rur miedzianych lub ze stopów miedzi do łączenia rur czynnika chłodniczego należy używać stopu miedzi z fosforem C1220. Upewnić się, że rury są wewnętrznie czyste i nie zawierają żadnych szkodliwych zanieczyszczeń, takich jak związki siarki, utleniające, zabrudzenia lub pył. Stosować rury o określonej grubości. (Patrz punkt 4.1). W razie ponownego wykorzystania istniejących rur, które zawierały czynnik chłodniczy R22, należy uwzględnić poniższe zalecenia.
 - Wymienić istniejące nakrętki kielichowe i powtórzyć kielichowanie rur kielichowanych.
 - Nie używać cienkich rur. (Patrz punkt 4.1).
- Rury przeznaczone do instalacji należy przechować w pomieszczeniu i nie usuwać zaślepek z ich końców aż do czasu lutowania. (Zostawić kolanka itp. w ich opakowaniach). W przypadku przedostania się pyłu, zanieczyszczeń lub wilgoci do rur czynnika chłodniczego może dojść do pogorszenia się jakości oleju lub awarii sprężarki.
- Jako olej chłodniczy do smarowania rur kielichowanych powinien być używany olej estrowy, olej eterowy lub olej alkilobenzenowy (niewielka ilość). Zmieszanie oleju mineralnego z olejem chłodniczym może pogorszyć jego jakość.
- Używać wyłącznie czynnika chłodniczego R410A. W przypadku użycia innego czynnika chłodniczego chlor spowoduje pogorszenie jakości oleju.
- Stosować niżej wymienione narzędzia przeznaczone specjalnie do pracy z czynnikiem chłodniczym R410A. Czynnikiem chłodniczym R410A wymaga stosowania poniższych narzędzi. W razie jakichkolwiek pytań należy kontaktować się z lokalnym sprzedawcą.

Narzędzia (kompatybilne z R410A)	
Przyłącze manometru	Kielichownica
Wąż zasilający	Sprawdzian do regulacji wymiarów
Wykrywacz wycieku gazu	Adapter pompy próżniowej
Klucz dynamometryczny	Elektroniczna waga do uzupełniania czynnika

- Upewnić się, że są stosowane odpowiednie narzędzia. W przypadku przedostania się pyłu, zanieczyszczeń lub wilgoci do rur czynnika chłodniczego jakość oleju chłodniczego może ulec pogorszeniu.
- Do załadunku czynnika nie stosować butli. W razie używania butli do załadunku czynnika chłodniczego jego skład może zmienić się, prowadząc do obniżenia wydajności.



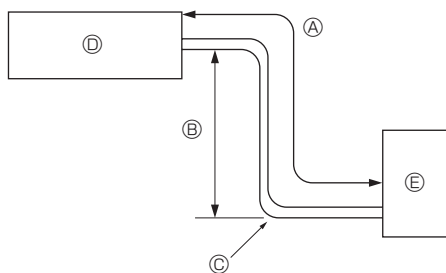
Rys. 1-1

1.6. Wyposażenie dodatkowe jednostki zewnętrznej (rys. 1-1) (SHW230)

Części przedstawione po lewej to wyposażenie dodatkowe tego urządzenia, które są przymocowane do wewnętrznej strony panelu serwisowego.

- ① Rura połączeniowa.....×1

2. Miejsce instalacji



Rys. 2-1

2.1. Rura czynnika chłodniczego (rys. 2-1)

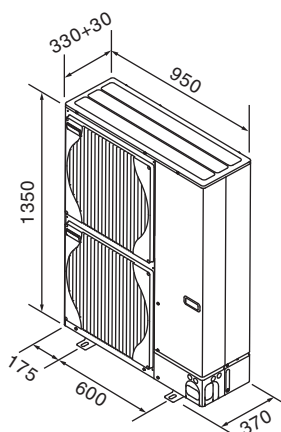
- Należy upewnić się, że różnica wysokości między jednostką wewnętrzną i zewnętrzną, długość rury czynnika chłodniczego oraz liczba zgięć rury mieszczą się w granicach przedstawionych poniżej.

Modele	④ Długość rury (w jedną stronę)	⑤ Różnica wysokości	③ Liczba zgięć (w jedną stronę)
SHW80, 112, 140	2 m – 75 m	Maks. 30 m	Maks. 15
SHW230	2 m – 80 m	Maks. 30 m	Maks. 15

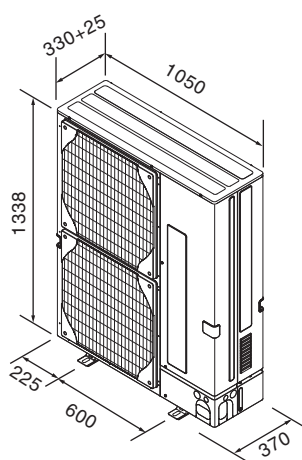
- Ograniczenie różnicy wysokości obowiązuje niezależnie od tego, która jednostka (wewnętrzna czy zewnętrzna) znajduje się wyżej.
 - ③ Jednostka wewnętrzna
 - ⑤ Jednostka zewnętrzna

2. Miejsce instalacji

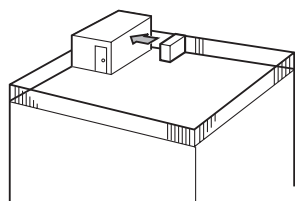
■ SHW80, 112, 140



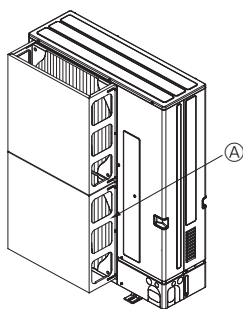
■ SHW230



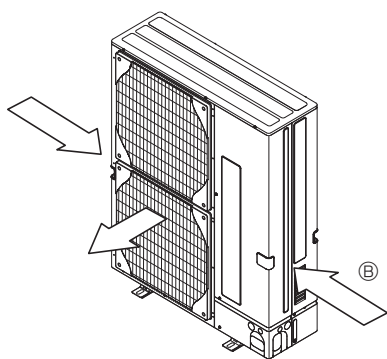
Rys. 2-2



Rys. 2-3



Rys. 2-4



Rys. 2-5

2.2. Wybór miejsca instalacji jednostki zewnętrznej

- Unikać miejsc narażonych na bezpośrednie działanie promieni słonecznych lub innych źródeł ciepła.
- Wybrać takie miejsce, w którym hałas wytwarzany przez urządzenie nie będzie przeszkadzał sąsiadom.
- Wybrać takie miejsce, które zapewni łatwy dostęp do rur i przewodów źródła zasilania i jednostki wewnętrznej.
- Unikać miejsc, w których może dojść do wycieku, powstania, przepływu lub nagromadzenia palnych gazów.
- Pamiętaj, że podczas pracy z urządzenia może wyciekać woda.
- Wybrać takie położenie, w którym nie będzie problemu z obciążeniem (od ciężaru) i drganiami urządzenia.
- Unikać miejsc, w których urządzenie może zostać zasypane śniegiem. W miejscach, gdzie przewiduje się występowanie dużych opadów śniegu, należy zastosować szczególne środki ostrożności, aby śnieg nie zablokował wlotu powietrza i nie był bezpośrednio do niego nawiewany, na przykład instalując urządzenie na większej wysokości lub zakładając okap na wlocie powietrza. Zablokowanie wlotu powietrza może zmniejszyć jego przepływ i spowodować awarię.
- Wybrać miejsc narażonych na działanie oleju, pary wodnej lub zaszczerzonego gazu.
- Podczas przenoszenia jednostki zewnętrznej należy trzymać ją za uchwyty. Nie trzymać urządzenia za podstawę, ponieważ istnieje ryzyko przygniecenia dłoni lub palców.

2.3. Wymiary gabarytowe (jednostki zewnętrznej) (rys. 2-2)

2.4. Wentylacja i przestrzeń serwisowa

2.4.1. Instalacja w miejscu, w którym wieją silne wiatry

W przypadku instalacji jednostki zewnętrznej na dachu lub w innym miejscu narażonym na działanie wiatru nie umieszczać wylotu powietrza z urządzenia w kierunku, z którego wieją silne wiatry. Silny wiatr działający na wylot powietrza może zakłócać jego normalny przepływ i powodować awarie.

Poniżej podano trzy przykłady zabezpieczeń przed działaniem silnych wiatrów.

- 1 Ustawić wylot powietrza w kierunku najbliższej ściany, zachowując odległość ok. 50 cm. (Rys. 2-3).
- 2 Zainstalować opcjonalną kierownicę powietrza w przypadku, gdy jednostka zewnętrzna jest zainstalowana w miejscu, w którym silny wiatr, np. tajfun, może bezpośrednio działać na wylot powietrza. (Rys. 2-4).
 - A Zabezpieczająca kierownica powietrza
- 3 Jeśli to możliwe, należy tak ustawić jednostkę zewnętrzną, aby kierunek wylotu powietrza był prostopadły do kierunku wiatru w danej porze roku. (Rys. 2-5).
- Ⓞ Kierunek wiatru

2.4.2. W przypadku instalacji jednej jednostki zewnętrznej (patrz ostatnia strona)

Poniższe wymiary są wartościami minimalnymi, za wyjątkiem tych oznaczonych jako "Maks.", które są wymiarami maksymalnymi.

W każdym przypadku należy odwołać się do odpowiedniego rysunku.

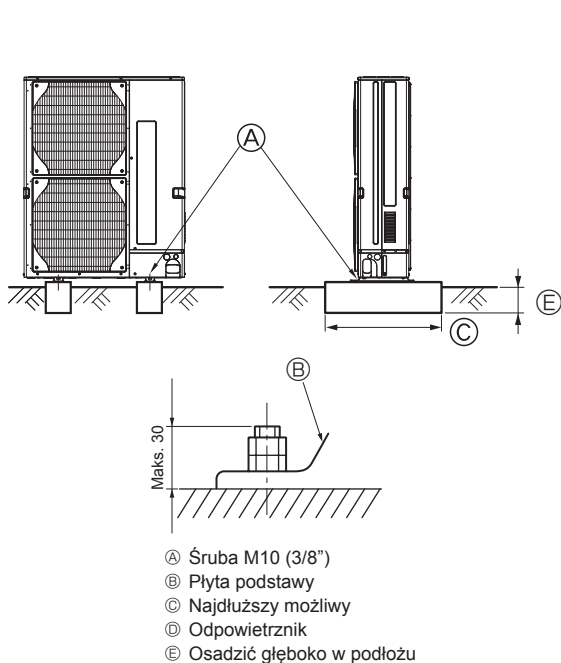
- 1 Miejsce ograniczone tylko z tyłu (rys. 2-6)
- 2 Miejsce ograniczone tylko z tyłu i od góry (rys. 2-7)
- 3 Miejsce ograniczone tylko z tyłu i po bokach (rys. 2-8)
- 4 Miejsce ograniczone tylko z przodu (rys. 2-9)
 - * W razie użycia opcjonalnych kierownic wylotowych powietrza odstęp wynosi 500 mm lub więcej.
- 5 Miejsce ograniczone tylko z przodu i z tyłu (rys. 2-10)
 - * W razie użycia opcjonalnych kierownic wylotowych powietrza odstęp wynosi 500 mm lub więcej.
- 6 Miejsce ograniczone tylko z tyłu, po bokach i od góry (rys. 2-11)
 - * Nie instalować opcjonalnych kierownic wylotowych powietrza dla przepływu powietrza w górę.

2.4.3. W przypadku instalacji więcej niż jednej jednostki zewnętrznej (patrz ostatnia strona)

Pozostawić min. 10 mm wolnej przestrzeni między poszczególnymi jednostkami.

- 1 Miejsce ograniczone tylko z tyłu (rys. 2-12)
- 2 Miejsce ograniczone tylko z tyłu i od góry (rys. 2-13)
 - * Nie więcej niż 3 urządzenia mogą być zainstalowane jedno obok drugiego. Ponadto należy pozostawić wolną przestrzeń jak pokazano na rysunku.
 - * Nie instalować opcjonalnych kierownic wylotowych powietrza dla przepływu powietrza w górę.
- 3 Miejsce ograniczone tylko z przodu (rys. 2-14)
 - * W razie użycia opcjonalnych kierownic wylotowych powietrza odstęp wynosi 1000 mm lub więcej.
- 4 Miejsce ograniczone tylko z przodu i z tyłu (rys. 2-15)
 - * W razie użycia opcjonalnych kierownic wylotowych powietrza odstęp wynosi 1000 mm lub więcej.
- 5 Równoległa zabudowa pojedynczych jednostek zewnętrznych (rys. 2-16)
 - * W razie użycia opcjonalnych kierownic wylotowych powietrza dla przepływu powietrza w górę odstęp wynosi 1000 mm lub więcej.
- 6 Równoległa zabudowa więcej niż jednej jednostki zewnętrznej (rys. 2-17)
 - * W razie użycia opcjonalnych kierownic wylotowych powietrza dla przepływu powietrza w górę odstęp wynosi 1500 mm lub więcej.
- 7 Zabudowa jednostek zewnętrznych jedna na drugiej (rys. 2-18)
 - * Maksymalnie 2 jednostki zewnętrzne mogą być zainstalowane jedna na drugiej.
 - * Nie więcej niż 2 jednostki mogą być umieszczone jedna na drugiej. Ponadto należy pozostawić wolną przestrzeń jak pokazano na rysunku.

3. Instalacja jednostki zewnętrznej



- Upewnić się, że urządzenie jest umieszczone na solidnym, równym podłożu, chroniącym przed powstawaniem odgłosu klekotania podczas pracy. (Rys. 3-1).

<Specyfikacje fundamentów>

Śruba fundamentowa	M10 (3/8")
Grubość warstwy betonu	120 mm
Długość śruby	70 mm
Zdolność przeniesienia obciążenia	320 kg

- Sprawdzić, czy śruby fundamentowe są wkręcone na głębokość 30 mm od spodu podstawy.
- Mocno przykręcić płytę podstawy urządzenia do solidnego podłoża za pomocą 4 śrub fundamentowych M10.

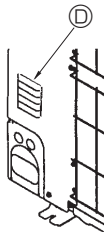
Instalacja jednostki zewnętrznej

- Nie zasłaniać otworu wentylacyjnego. W przypadku zasłonięcia otworu dojdzie do zakłóceń w pracy urządzenia i może ono ulec uszkodzeniu.
- W razie konieczności wykonania dodatkowego zamocowania urządzenia oprócz podstawy urządzenia należy wykorzystać otwory montażowe znajdujące się w jego tylnej części do przymocowania przewodów itp. Do montażu należy użyć wkrętów samogwintujących ($\phi 5 \times 15$ mm lub mniejszych).

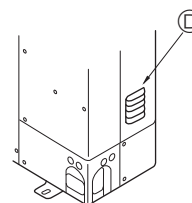
⚠ Ostrzeżenie:

- **Urządzenie należy zamontować na konstrukcji, która bezpiecznie wytrzyma jego ciężar. W przypadku montażu na niestabilnej konstrukcji urządzenie może spaść z wysokości i spowodować szkody materialne i/ lub obrażenia ciała.**
- **Urządzenie należy zainstalować zgodnie z instrukcją celem zminimalizowania ryzyka powstania uszkodzeń spowodowanych trzęsieniem ziemi, tajfunem lub silnym wiatrem. Nieprawidłowo zainstalowane urządzenie może spaść z wysokości i spowodować szkody materialne i/ lub obrażenia ciała.**

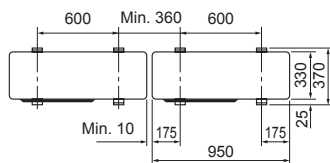
■ SHW80, 112, 140



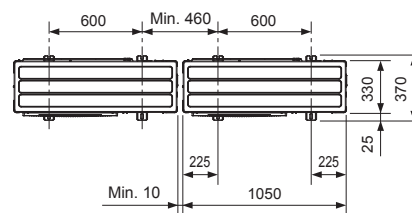
■ SHW230



■ SHW80, 112, 140



■ SHW230



Rys. 3-1

4. Instalacja rur czynnika chłodniczego

4.1. Środki ostrożności w przypadku urządzeń, które wykorzystują czynnik chłodniczy R410A

- Punkt 1.5 zawiera dodatkowe, niewymienione niżej środki ostrożności dotyczące używania jednostki zewnętrznej z czynnikiem chłodniczym R410A.
- Jako olej chłodniczy do smarowania rur kielichowanych powinien być używany olej estrowy, olej eterowy lub olej alkilobenzenowy (niewielka ilość).
- W przypadku bezszwowych rur miedzianych lub ze stopów miedzi do łączenia rur czynnika chłodniczego należy używać stopu miedzi z fosforem C1220. Należy użyć rur czynnika chłodniczego o grubości podanej w tabeli poniżej. Upewnić się, że rury są wewnątrz czyste i nie zawierają żadnych szkodliwych zanieczyszczeń, takich jak związki siarki, utleniacze, zabrudzenia lub pył. Podczas lutowania rur zawsze należy stosować lutowanie nieutleniające, aby zapobiec uszkodzeniu sprężarki.

⚠ Ostrzeżenie:

Do napełniania przewodów czynnika chłodniczego podczas instalacji, zmiany miejsca instalacji lub serwisowania jednostki zewnętrznej należy stosować jedynie określony czynnik chłodniczy (R410A). Nie należy mieszać go z innym czynnikiem chłodniczym ani dopuszczać do pozostawiania powietrza w przewodach.

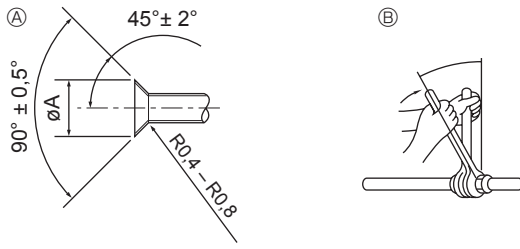
Zmieszanie czynnika z powietrzem może spowodować nieprawidłowe wysokie ciśnienie w układzie chłodniczym i doprowadzić do wybuchu bądź innych zagrożeń.

Zastosowanie czynnika innego od określonego dla tego układu spowoduje uszkodzenia mechaniczne, awarię układu lub uszkodzenie jednostki. W najgorszym przypadku może to doprowadzić do poważnego naruszenia bezpieczeństwa produktu.

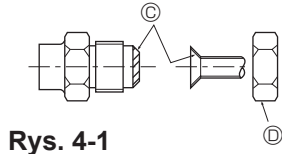
Średnica rury (mm)	$\phi 6,35$	$\phi 9,52$	$\phi 12,7$	$\phi 15,88$	$\phi 19,05$	$\phi 22,2$	$\phi 25,4$	$\phi 28,58$
Grubość (mm)	0,8	0,8	0,8	1,0	1,0	1,0	1,0	1,0

- Nie używać rur cieńszych niż podane powyżej.
- Jeśli średnica wynosi 19,05 mm lub więcej, należy zastosować rury 1/2 H lub H.

4. Instalacja rur czynnika chłodniczego



Ⓐ Wymiary przycinania kielichów
Ⓑ Moment dokręcania nakrętek kielichowych



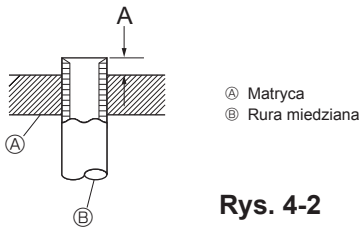
Rys. 4-1

Ⓐ (Rys. 4-1)

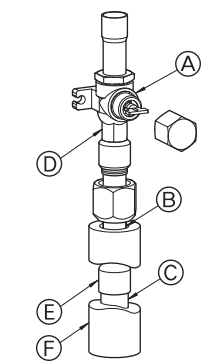
Rura miedziana, śr. zewn. (mm)	Wymiary kielichów Wymiary ϕA (mm)
$\phi 6,35$	8,7 – 9,1
$\phi 9,52$	12,8 – 13,2
$\phi 12,7$	16,2 – 16,6
$\phi 15,88$	19,3 – 19,7
$\phi 19,05$	23,6 – 24,0

Ⓑ (Rys. 4-1)

Rura miedziana, śr. zewn. (mm)	Nakrętka kielichowa, śr. zewn. (mm)	Moment dokręcania (N·m)
$\phi 6,35$	17	14 – 18
$\phi 6,35$	22	34 – 42
$\phi 9,52$	22	34 – 42
$\phi 12,7$	26	49 – 61
$\phi 12,7$	29	68 – 82
$\phi 15,88$	29	68 – 82
$\phi 15,88$	36	100 – 120
$\phi 19,05$	36	100 – 120

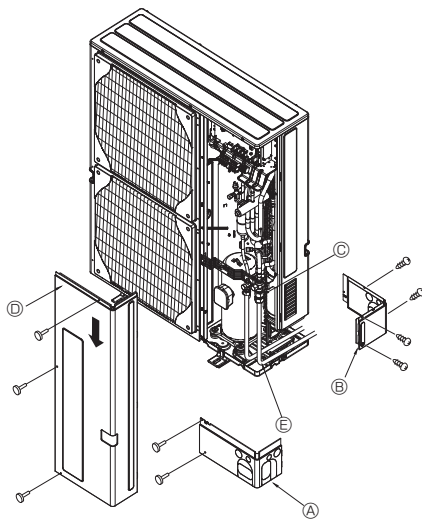


Rys. 4-2



Ⓐ Zawór odcinający
Ⓑ Odcinek uszczelniający
Ⓒ Lokalna instalacja rurowa
Ⓓ Odcinek dokręcany za pomocą 2 kluczy
Ⓔ Rura połączeniowa
Ⓕ Osłona rur

Rys. 4-3



Ⓐ Przednia osłona rur
Ⓑ Osłona rur
Ⓒ Zawór odcinający
Ⓓ Panel serwisowy
Ⓔ Promień gięcia: 100 mm – 150 mm

Rys. 4-4

4.2. Łączenie rur (rys. 4-1)

- Używając dostępnych w sprzedaży rur miedzianych, należy owinać rury cieczowe i gazowe dostępnymi w sprzedaży materiałami izolacyjnymi (odpornymi na wysoką temperaturę do 100°C lub wyższą, o grubości 12 mm lub większej).
- Należy oddzielić izolację cieplną rur gazowych i cieczowych czynnika chłodniczego.
- Znajdujące się w pomieszczeniu odcinki rury odprowadzającej skropliny należy owinać materiałem izolacyjnym z pianki polietylenowej (ciężar właściwy 0,03, grubość 9 mm lub większa).
- Przed dokręceniem nakrętki kielichowej należy nasmarować powierzchnię połączenia rury i złączki cienką warstwą oleju chłodniczego. Ⓐ
- Połączenia rurowe należy dokręcać za pomocą 2 kluczy. Ⓑ
- Po wykonaniu połączeń należy sprawdzić, czy nie ma wycieków gazu, używając do tego wykrywacza nieuszczelniającego lub wody z mydłem.
- Nasmarować całą powierzchnię połączenia kielichowego olejem do chłodziarek. Ⓒ
- Zastosować nakrętki kielichowe dla poniższych średnic rur. Ⓓ

	SHW80, 112, 140	SHW230
Strona gazowa Średnica rury (mm)	$\phi 15,88$	$\phi 25,4$
Strona cieczowa Średnica rury (mm)	$\phi 9,52$	$\phi 12,7$

- Zachować ostrożność podczas gięcia rur, aby ich nie połamać. Wystarczający promień gięcia to 100 mm do 150 mm.
- Dopilnować, aby rury nie dotykały sprężarki. Grozi to nietypowym hałasem lub wibracjami.
- ① Rury należy podłączać, zaczynając od jednostki wewnętrznej. Nakrętki kielichowe należy dokręcać kluczem dynamometrycznym.
- ② Wykonać kielichowanie rur cieczowych i gazowych, po czym nasmarować je cienką warstwą oleju chłodniczego (na miejscu).
- W przypadku użycia standardowego uszczelnacza do rur należy wykonać kielichowanie rur czynnika chłodniczego R410A zgodnie z Tabelą 1. Pomiary A można potwierdzić sprawdzianem do regulacji wymiarów.

Tabela 1 (rys. 4-2)

Rura miedziana, śr. zewn. (mm)	A (mm)	
	Kielichownica do R410A	Kielichownica do R22-R407C
	Typ bloku zaciskowego	
$\phi 6,35$ (1/4")	0 – 0,5	1,0 – 1,5
$\phi 9,52$ (3/8")	0 – 0,5	1,0 – 1,5
$\phi 12,7$ (1/2")	0 – 0,5	1,0 – 1,5
$\phi 15,88$ (5/8")	0 – 0,5	1,0 – 1,5
$\phi 19,05$ (3/4")	0 – 0,5	1,0 – 1,5

- ③ W celu podłączenia rur po stronie gazowej należy zastosować poniższą procedurę. (Rys. 4-3) (SHW230)
- 1 Przylutować beztlonowo dostarczoną rurę połączeniową Ⓔ do jednostki zewnętrznej do rury instalacji lokalnej Ⓒ, wykorzystując kupione na miejscu materiały lutownicze.
- 2 Podłączyć rurę połączeniową Ⓔ do zaworu odcinającego po stronie gazowej. Dokręcić nakrętkę kielichową za pomocą 2 kluczy.
- * Zmiana kolejności doprowadzi do wycieku czynnika chłodniczego z powodu uszkodzenia części przez płomień podczas lutowania.

4.3. Rury czynnika chłodniczego (rys. 4-4)

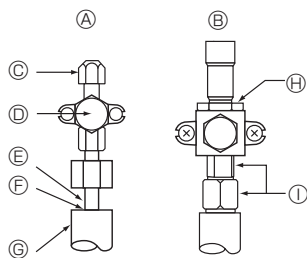
Zdjąć panel serwisowy Ⓓ (3 wkręty), a także przednią osłonę rur Ⓐ (2 wkręty) i tylną osłonę rur Ⓑ (2 wkręty: SHW80 – 140) (4 wkręty: SHW230).

- Wykonać połączenia rur czynnika chłodniczego przy jednostce wewnętrznej/zewnętrznej, kiedy zawór odcinający jednostki zewnętrznej jest całkowicie zamknięty.
- Używając podciśnienia, usunąć powietrze z jednostki wewnętrznej i rur połączeniowych.
- Po podłączeniu rur czynnika chłodniczego należy sprawdzić, czy z rur połączeniowych i jednostki wewnętrznej nie wycieka gaz. (Patrz punkt 4.4 Metoda testowania szczelności rur czynnika chłodniczego)
- Do utrzymania podciśnienia przez odpowiedni czas (co najmniej jedną godzinę po osiągnięciu -101 kPa (5 Tr)) w celu osuszenia próżniowego wnętrza rur, do portu serwisowego zaworu odcinającego podłączyć się pompę próżniową o dużej wydajności. Zawsze należy sprawdzać stopień próżni na przyłączy manometru. Jeśli wewnątrz rury pozostanie wilgotne, czasami nie udaje się osiągnąć stopnia próżni po krótkim zastosowaniu podciśnienia.

Po osuszeniu próżniowym należy całkowicie otworzyć zawory odcinające (cieczowy i gazowy) jednostki zewnętrznej. To całkowicie połączy obiegi czynnika chłodniczego jednostki wewnętrznej i zewnętrznej.

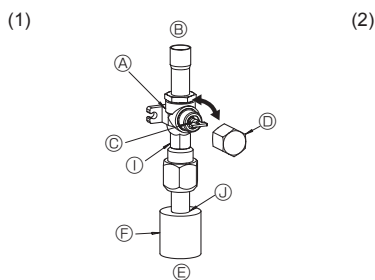
- Jeśli osuszenie próżniowe zostanie wykonane nieprawidłowo, powietrze i para wodna pozostaną w obiegach czynnika chłodniczego i mogą powodować nietypowy wzrost wysokiego ciśnienia, nietypowy spadek niskiego ciśnienia, pogorszenie jakości oleju do chłodziarek z powodu wilgoci itp.
- Jeśli zawory odcinające pozostaną zamknięte i urządzenie zostanie włączone, dojdzie do uszkodzenia sprężarki i zaworów sterujących.
- Sprawdzić, czy nie ma wycieków gazu na odcinkach połączenia rur jednostki zewnętrznej, używając do tego wykrywacza nieuszczelniającego lub wody z mydłem.
- Nie używać czynnika chłodniczego z urządzenia do usuwania powietrza z przewodów czynnika chłodniczego.
- Po zakończeniu pracy przy zaworach dokręcić korki zaworów odpowiednim momentem obrotowym: 20 do 25 N·m (200 do 250 kgf·cm). Jeśli korki nie zostaną założone i dokręcone, może dojść do wycieku czynnika chłodniczego. Nie należy także uszkodzić wnętrza korków zaworów, ponieważ pełnią one rolę uszczelnienia, zapobiegając wyciekowi czynnika chłodniczego.
- ⑤ Uszczelnić szczelnikiem zakończenia termoizolacji wokół odcinków połączenia rur, aby woda nie mogła przedostać się do termoizolacji.

4. Instalacja rur czynnika chłodniczego

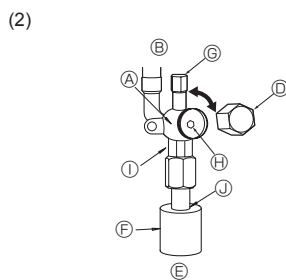


- A Zawór odcinający <Strona cieczowa>
 B Zawór odcinający <Strona gazowa>
 C Port serwisowy
 D Odcinek otwierany/zamykany
 E Rura instalacji lokalnej
 F Uszczelnienie, taki sam sposób dla strony gazowej
 G Ostona rur
 H W tym miejscu nie używać klucza.
 I W tym miejscu użyć 2 kluczy.
 Może dojść do wycieku czynnika chłodniczego.

Rys. 4-5

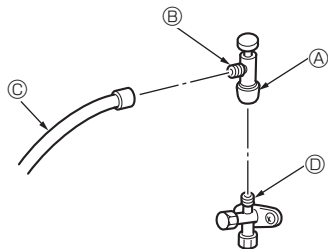


Rys. 4-6



Rys. 4-7

- A Zawór
 B Strona urządzenia
 C Dźwignia
 D Korek
 E Strona rury instalacji lokalnej
 F Ostona rur
 G Port serwisowy
 H Otwór na klucz
 I Odcinek dokręcany za pomocą 2 kluczy (Nie używać klucza w innym miejscu poza tym. Spowoduje to wyciek chłodziwa).
 II Odcinek uszczelnienia (Uszczelnienie zakończenia materiału termoizolacyjnego przy odcinku połączenia rur dowolnym posiadanym materiałem uszczelniającym, aby woda nie mogła przedostać się do materiału termoizolacyjnego).



Rys. 4-8

- * Rysunek po lewej jest jedynie przykładowy. Kształt zaworu odcinającego, położenie portu serwisowego itp. mogą się różnić w zależności od modelu.
 * Obrócić tylko odcinek A. (Nie dokręcać bardziej odcinków A i B razem).
 C Wąż zasilający
 D Port serwisowy

4.4. Metoda testowania szczelności rur czynnika chłodniczego (rys. 4-5)

- Podłączyć narzędzia testowe.
 - Upewnić się, że zawory odcinające A i B są zamknięte i nie otwierać ich.
 - Zwiększyć ciśnienie w przewodach czynnika chłodniczego za pomocą portu serwisowego C zaworu odcinającego cieczy A.
- Nie należy gwałtownie zwiększać ciśnienia do określonej wartości; należy to robić stopniowo.
 - Zwiększyć ciśnienie do 0,5 MPa (5 kgf/cm²G), odczekać 5 minut, po czym upewnić się, że ciśnienie nie spada.
 - Zwiększyć ciśnienie do 1,5 MPa (15 kgf/cm²G), odczekać 5 minut, po czym upewnić się, że ciśnienie nie spada.
 - Zwiększyć ciśnienie do 4,15 MPa (41,5 kgf/cm²G) i zmierzyć temperaturę otoczenia i ciśnienie czynnika chłodniczego.
- Jeśli określone ciśnienie utrzymuje się przez około 1 dzień i nie spada, rury pomyslnie przeszły test i są szczelne.
 - Jeśli temperatura otoczenia zmieni się o 1°C, ciśnienie zmieni się o około 0,01 MPa (0,1 kgf/cm²G). Dokonać odpowiedniej korekty.
- Jeśli ciśnienie spadnie w kroku (2) lub (3), istnieje wyciek gazu. Odszukać źródło wycieku gazu.

4.5. Metoda otwierania zaworu odcinającego

Metoda otwierania zaworu odcinającego różni się w zależności od modelu jednostki zewnętrznej. Zawory odcinające należy otwierać, stosując odpowiednią metodę.

- Strona gazowa (rys. 4-6)
 - Aby otworzyć zawór, należy zdjąć korek, pociągnąć dźwignię do siebie i obrócić o 1/4 obrotu w kierunku przeciwnym do ruchu wskazówek zegara.
 - Upewnić się, że zawór odcinający jest całkowicie otwarty, wcisnąć dźwignię i założyć korek.
- Strona cieczowa (rys. 4-7)
 - Zdjąć korek i obrócić do oporu trzpień zaworu w kierunku przeciwnym do ruchu wskazówek zegara za pomocą klucza imbusowego 4 mm. Przerwać obracanie po osiągnięciu ogranicznika. (Ø9,52: około 10 obrotów)
 - Upewnić się, że zawór odcinający jest całkowicie otwarty, wcisnąć dźwignię i założyć korek.

Rury czynnika chłodniczego są bezpiecznie owinięte

- Rury można bezpiecznie owinać do średnicy Ø90 przed ich podłączeniem lub po podłączeniu. Wyciąć otwór w osłonie rur zgodnie z szablonem i owinać rury.

Szczelina wlotowa rur

- Uszczelnić kitem lub szczeliwem wlot wokół rur, aby nie było żadnych szczelin. (Pozostawienie szczelin może spowodować głośniejszą pracę lub dostanie się wody i kurzu do urządzenia, prowadząc do awarii).

Środki ostrożności podczas używania zaworu zasilającego (rys. 4-8)

Nie dokręcać zbyt mocno portu serwisowego podczas jego instalacji, ponieważ może dojść do deformacji i poluzowania trzpienia zaworu, co spowoduje wyciek gazu.

Po ustawieniu odcinka B w żądanym kierunku należy obrócić tylko odcinek A i dokręcić.

Nie dokręcać bardziej odcinków A i B po dokręceniu odcinka A.

⚠ Ostrzeżenie:

Podczas montażu jednostki, przed uruchomieniem sprężarki należy starannie podłączyć rury czynnika chłodniczego.

4.6. Uzupelnianie czynnika chłodniczego

- Jeśli długość rur nie przekracza 30 m, nie trzeba uzupełniać czynnika chłodniczego.
- Jeśli długość rur przekracza 30 m, należy uzupełnić czynnik chłodniczy R410A w urządzeniu odpowiednio do dopuszczalnej długości rur podanej w tabeli poniżej.
 - Po zatrzymaniu urządzenia napełnić je dodatkowym czynnikiem chłodniczym przez zawór odcinający cieczy po wytworzeniu próżni w rurach i jednostce wewnętrznej.
 - Po włączeniu urządzenia dodać czynnik chłodniczy przez zawór zwrotny gazu za pomocą bezpiecznej stacji napełniania. Nie dodawać ciekłego czynnika chłodniczego bezpośrednio przez zawór zwrotny.

- Po uzupełnieniu czynnika chłodniczego w urządzeniu należy zapisać dodaną ilość czynnika chłodniczego na etykiecie serwisowej (przyczepionej do urządzenia).
 Patrz punkt 1.5. Używanie jednostki zewnętrznej z czynnikiem chłodniczym R410A*, który zawiera dodatkowe informacje.
- Zachować ostrożność w przypadku instalowania wielu urządzeń. Podłączenie do nieprawidłowej jednostki wewnętrznej może prowadzić do nietypowo wysokiego ciśnienia i mieć poważny wpływ na wydajność pracy.

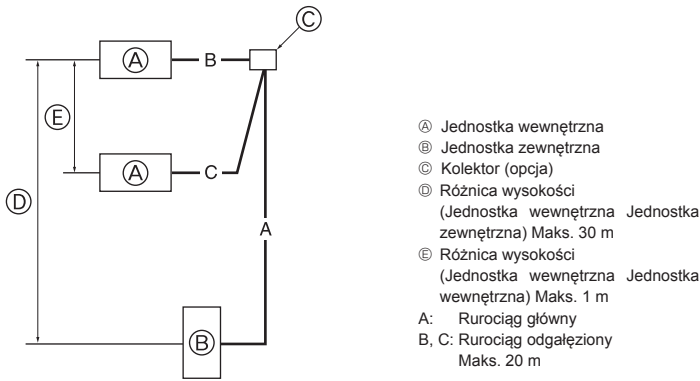
Model	Dopuszczalna długość rur	Dopuszczalna różnica wysokości	Wstępna ilość czynnika chłodzącego	Dodatkowa ilość czynnika chłodniczego			
				31 - 40 m	41 - 50 m	51 - 60 m	61 - 75 m
SHW80, 112, 140	2 m - 75 m	Maks. 30 m	5,5 kg	0,6 kg	1,2 kg	1,8 kg	2,4 kg

Model	Dopuszczalna długość rur	Dopuszczalna różnica wysokości	Wstępna ilość czynnika chłodzącego	Sposób obsługi	Rozmiar rury cieczowej	Dodatkowa ilość czynnika chłodniczego					
						21 - 30 m	31 - 40 m	41 - 50 m	51 - 60 m	61 - 70 m	71 - 80 m
SHW230	2 m - 80 m*1	Maks. 30 m	7,1 kg	ATW	Ø 12,7	-	1,4 kg	2,8 kg	4,2 kg	5,6 kg	7,0 kg
						Ø 9,52	-	-	0,8 kg	1,7 kg	2,6 kg
					Ø 12,7		1,4 kg	2,8 kg	4,2 kg	5,6 kg	7,0 kg
						Ø 9,52	-	0,8 kg	1,7 kg	2,6 kg	3,5 kg

*1. Jeżeli długość rury nie przekracza 10 m (model SHW230YKA2R2 i nowsze), ustawić przełącznik SW8-2 na pulpicie sterowniczym w położeniu ON (wł.)

4. Instalacja rur czynnika chłodniczego

<Ograniczenia instalacji rurociągu czynnika chłodniczego>



SHW112, 140 : $A+B+C \leq 75$ m
 SHW230 : $A+B+C \leq 80$ m

Rys. 4-9

5. Przewody spustowe

Podłączanie rury odprowadzającej skropliny z jednostki zewnętrznej

Seria PUHZ-SHW nie umożliwia podłączenia rury odprowadzającej skropliny z uwagi na przeznaczenie do zimnych stref klimatycznych.

6. Podłączanie wodociągu (dotyczy tylko pompy ciepła powietrze-woda)

Minimalna ilość wody

W obiegu wodnym konieczna jest poniżej podana ilość wody.

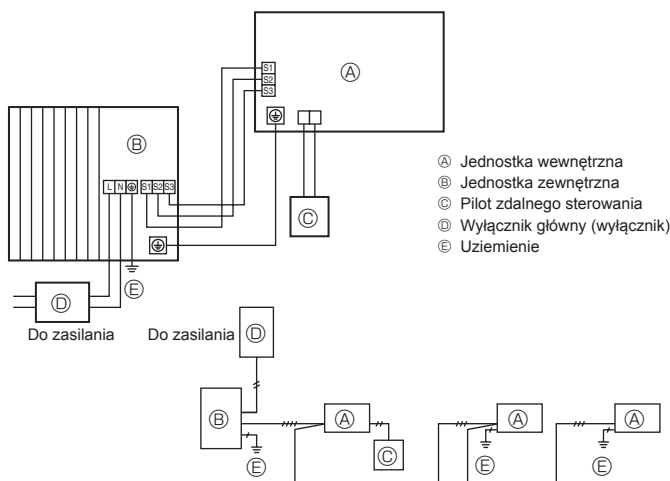
Model	Minimalna ilość wody (l)
SHW80	34
SHW112	48
SHW140	60
SHW230	99

W przypadku pracy urządzenia w trybie chłodzenia przy niskiej temperaturze otoczenia (poniżej 0°C) należy podjąć środki zapobiegające zamarzaniu, na przykład zastosować płyn niezamarzający.

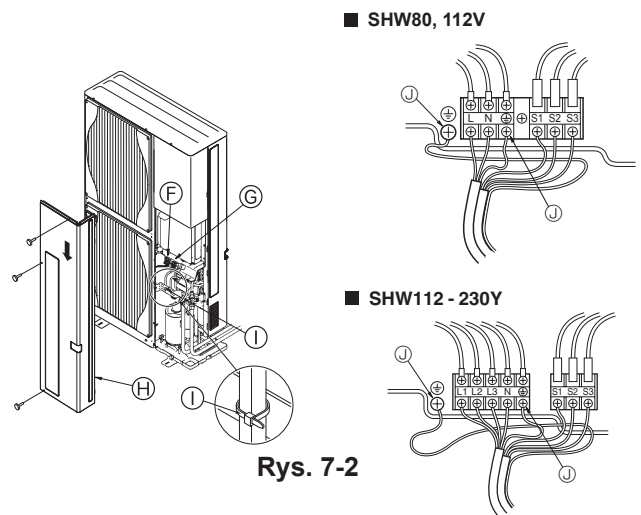
7. Instalacja elektryczna

7.1. Jednostka zewnętrzna (rys. 7-1 i 7-2)

- Usunąć panel serwisowy.
- Podłączyć przewody zgodnie z rys. 7-1 i 7-2.



Rys. 7-1



Rys. 7-2

- Ⓕ Listwa zaciskowa
 Ⓖ Listwa zaciskowa podłączania jednostki wewnętrznej/zewnętrznej (S1, S2, S3)
 Ⓗ Panel serwisowy
 Ⓚ Zacisk
 Ⓛ Zacisk uziemienia

* Zamocować kable w taki sposób, aby nie dotykały środka panelu serwisowego lub zaworu gazowego.

Uwaga:

Jeśli podczas serwisowania zostanie zdjęta osłona skrzynki elektrycznej, należy ją ponownie założyć.

⚠ Przystroga:

Upewnij się, że instalacja wyposażona jest w przewód zerowy N. Brak tego przewodu może spowodować uszkodzenie urządzenia.

Uwaga: Dotyczy tylko pompy ciepła powietrze-woda
 Jeśli wiele jednostek wewnętrznych (typu Hydrobox) jest podłączonych do jednostki zewnętrznej, należy połączyć płytkę drukowaną dowolnej z jednostek wewnętrznych z jednostką zewnętrzną (S1, S2, S3).

Nie można podłączyć płytek drukowanych wielu jednostek wewnętrznych do jednostki zewnętrznej.

7. Instalacja elektryczna

7.2. Biegunowe przewody elektryczne

Model jednostki zewnętrznej	SHW80V	SHW112V	SHW112, 140Y	SHW230Y
Zasilanie jednostki zewnętrznej	~N (jednofazowe), 50 Hz, 230 V	~N (jednofazowe), 50 Hz, 230 V	3N~ (3-fazowe 4-żyłowe), 50 Hz, 400 V	3N~ (3-fazowe, 4-żyłowe), 50 Hz, 400 V
Napięcie wejściowe jednostki zewnętrznej, wyłącznik główny (wyłącznik) *1	32 A	40 A	16 A	25 A
Przewód elektryczny, liczba żył x średnica żył (mm ²)	Zasilanie jednostki zewnętrznej	3 × min. 4	3 × min. 6	5 × min. 1,5
	Jednostka wewnętrzna – jednostka zewnętrzna *2	3 × 1,5 (biegunowy)	3 × 1,5 (biegunowy)	3 × 1,5 (biegunowy)
	Uziemienie: jednostka wewnętrzna – jednostka zewnętrzna *2	1 × min. 1,5	1 × min. 1,5	1 × min. 1,5
	Zdalny sterownik – jednostka wewnętrzna *3	2 × 0,3 (niebiegunowy)	2 × 0,3 (niebiegunowy)	2 × 0,3 (niebiegunowy)
Wartość znamionowa	Jednostka zewnętrzna – między przewodem fazowym a neutralnym (przy zasilaniu jednofazowym) Jednostka zewnętrzna – między przewodami fazowymi a przewodem neutralnym L1-N, L2-N, L3-N (przy zasilaniu 3-fazowym) *4	230 V AC	230 V AC	230 V AC
	Jednostka wewnętrzna – jednostka zewnętrzna S1 – S2 *4	230 V AC	230 V AC	230 V AC
	Jednostka wewnętrzna – jednostka zewnętrzna S2 – S3 *4	24 V DC	24 V DC	24 V DC
	Zdalny sterownik – jednostka wewnętrzna *4	12 V DC	12 V DC	12 V DC

*1. Należy dostarczyć wyłącznik z przerwą między stykami wynoszącą minimum 3,0 mm. Należy zastosować wyłącznik różnicowoprądowy (NV).

Upewnić się, że wyłącznik różnicowoprądowy jest kompatybilny z wyższymi harmonicznymi.

Należy stosować wyłącznie wyłączniki różnicowoprądowe kompatybilne z wyższymi harmonicznymi, ponieważ jednostka wyposażona jest w falownik.

Zastosowanie nieodpowiedniego wyłącznika może spowodować nieodpowiednie działanie falownika.

*2. (SHW80 – 140)

Maks. 45 m

W przypadku 2,5 mm², maks. 50 m

W przypadku 2,5 mm² i oddzielnego S3, maks. 80 m

(SHW230)

Maks. 80 m Łącznie maks. 80 m, w tym podłączenie wszystkich jednostek wewnętrznych/wewnętrznych.

* Użyć jednego kabla dla S1 i S2 oraz kolejnego dla S3, zgodnie z rysunkiem.



*3. Zdalny sterownik jest wyposażony w przewód 10 m.

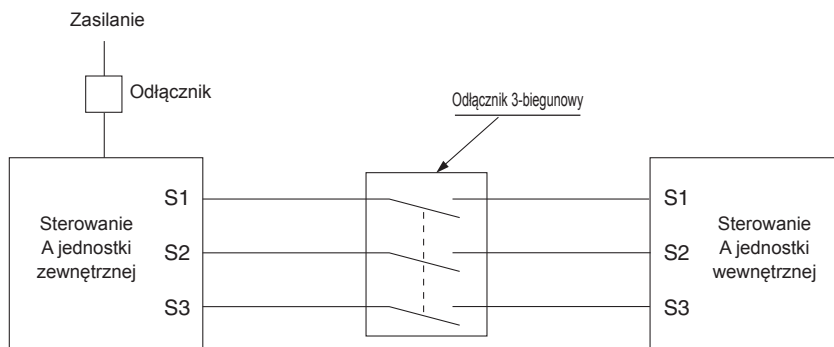
*4. Przedstawione liczby NIE we wszystkich wypadkach biorą pod uwagę uziemienie.

Między zaciskiem S3 i S2 jest napięcie stałe 24 V DC. Jednak w przypadku S3 i S1, zaciski te NIE są izolowane elektrycznie przez transformator ani inne urządzenie.

Uwagi: 1. Średnica przewodów musi być zgodna z odpowiednimi przepisami lokalnymi i krajowymi.

2. Kable zasilające i kable przyłączeniowe jednostki wewnętrznej/zewnętrznej nie mogą być niższej jakości od przewodu elastycznego w powłoce poli-chloroprenowej (zgodnie z normą 60245 IEC 57).

3. Użyć przewodu uziemienia o długości większej od pozostałych przewodów, aby w razie naprężenia nie został odłączony.



⚠ Ostrzeżenie:

- W przypadku oprzewodowania sterującego "A" zacisk S3 jest pod wysokim napięciem wynikającym z konfiguracji obwodu elektrycznego – nie ma izolacji elektrycznej między przewodem zasilającym a przewodem sterującym. Z tego powodu należy na czas serwisowania odłączyć główne zasilanie. Nie należy dotykać zacisków S1, S2, S3, kiedy zasilanie znajduje się pod napięciem. Jeśli między jednostką wewnętrzną a jednostką zewnętrzną konieczne jest zastosowanie odłącznika, należy zastosować odłącznik 3-biegunowy.
- Przy temperaturze poniżej -20°C rozgrzanie części elektrycznych wymaga co najmniej 12 godzin pracy w trybie gotowości.

Nigdy nie łączyć ze sobą (przez splatanie) przewodu zasilającego ani przewodu łączącego jednostkę zewnętrzną z wewnętrzną, ponieważ może to spowodować powstanie dymu, ognia lub błędu komunikacji.

KABEL POŁĄCZENIOWY MIĘDZY JEDNOSTKĄ WEWNĘTRZNĄ I ZEWNĘTRZNĄ (SHW230)

Przekrój poprzeczny kabla	Wielkość przewodów (mm ²)	Liczba przewodów	Biegunowość	L (m)*6
Okrągły	2,5	3	Zgodnie z ruchem wskazówek zegara: S1-S2-S3 * Zwrócić uwagę na żółte i zielone paski	(30) *2
Płaski	2,5	3	Nie dotyczy (Ponieważ środkowy przewód nie ma izolacji)	Nie dotyczy *5
Płaski	1,5	4	Od lewej do prawej: S1-Otwarty-S2-S3	(18) *3
Okrągły	2,5	4	Zgodnie z ruchem wskazówek zegara: S1-S2-S3-Otwarty * Podłączyć S1 i S3 po przekątnej	(30) *4

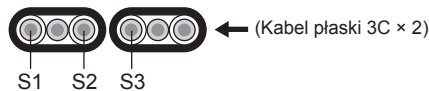
*1: Kable zasilające urządzeń powinny odpowiadać wymogom normy 60245 IEC lub 227 IEC.

*2: Jeśli występuje przewód z żółtymi i zielonymi paskami.

*3: W przypadku połączenia o standardowej biegunowości (S1-S2-S3), wielkość przewodu wynosi 1,5 mm².

*4: W przypadku połączenia o standardowej biegunowości (S1-S2-S3).

*5: Jeśli płaskie kable zostaną podłączone zgodnie z rysunkiem, ich długość może wynosić maks. 30 m.



*6: Podana długość kabla jest wyłącznie orientacyjna.

Może się różnić w zależności od warunków instalacji, wilgotności lub materiałów itp.

Kable połączeniowe między jednostką wewnętrzną i zewnętrzną należy łączyć bezpośrednio z tymi jednostkami (bez połączeń pośrednich). Połączenia pośrednie mogą prowadzić do błędów w komunikacji w przypadku przedostania się wody do kabli i pogorszenia stanu izolacji lub nieprawidłowego styku elektrycznego w punkcie połączenia pośredniego.

8. Ruch próbny (dotyczy tylko klimatyzatorów)

8.1. Przed rozpoczęciem pracy próbnej

- ▶ Po zakończeniu montażu oraz podłączeniu kabli i rur do jednostek wewnętrznej i zewnętrznej należy sprawdzić, czy nie ma nieszczelności w obiegu czynnika chłodniczego, czy wszystkie przewody zasilające i sterownicze są prawidłowo podłączone, czy mają właściwą biegunowość i czy wszystkie fazy są właściwie połączone.
- ▶ Za pomocą megaomomierza 500 V zmierzyć opór między zaciskami do przewodów zasilających a uziemieniem; powinien on wynosić min. 1 MΩ.
- ▶ Nie przeprowadzać tego testu dla zacisków przewodów sterowniczych (obwód niskiego napięcia).

⚠ Ostrzeżenie:

Nie używać jednostki zewnętrznej, jeśli opór izolacji jest mniejszy niż 1 MΩ.

Oporność izolacji

Po montażu lub kiedy źródło zasilania, do którego jest podłączone urządzenie, zostanie wyłączone na dłuższy czas, opór izolacji spadnie poniżej 1 MΩ z powodu nagromadzenia się czynnika chłodniczego w sprężarce. Nie jest to usterka. W takim przypadku należy postępować zgodnie z poniższą procedurą:

1. Odłączyć przewody od sprężarki i zmierzyć opór izolacji na sprężarce.
2. Jeśli wartość oporu izolacji jest mniejsza niż 1 MΩ, sprężarka uległa uszkodzeniu lub nagromadzony w niej czynnik chłodniczy spowodował spadek tego oporu.
3. Po podłączeniu przewodów i podaniu zasilania sprężarka zacznie się rozgrzewać. Po upływie czasu podanego poniżej należy ponownie zmierzyć opór izolacji.

- Opór izolacji maleje z powodu nagromadzenia czynnika chłodniczego w sprężarce. Po rozgrzewaniu sprężarki przez maks. 4 godziny opór wzrośnie do ponad 1 MΩ. (Czas konieczny do rozgrzania sprężarki zależy od warunków atmosferycznych i nagromadzonego czynnika chłodniczego).
- W przypadku nagromadzenia czynnika chłodniczego w sprężarce należy ją rozgrzewać przed uruchomieniem przez min. 12 godzin, aby zapobiec awarii.
- 4. Jeśli opór izolacji przekroczy 1 MΩ, sprężarka nie jest uszkodzona.

⚠ Przestroga:

- W przypadku nieprawidłowego podłączenia faz sprężarka nie będzie działać.
- Włączyć zasilanie na min. 12 h przed rozpoczęciem pracy.
- Uruchomienie urządzenia natychmiast po włączeniu głównego zasilania może spowodować poważne uszkodzenie części wewnętrznych. W okresie eksploatacji urządzenia nie wolno wyłączać zasilania.

▶ Należy także sprawdzić poniższe elementy.

- Jednostka zewnętrzna nie jest uszkodzona. Uszkodzenie jednostki zewnętrznej jest sygnalizowane miganiem diod LED1 i LED2 na jej pulpicie sterowniczym.
- Zawory odcinające gazowy i cieczowy są całkowicie otwarte.
- Osłona chroni powierzchnię panelu przełączników DIP na pulpicie sterowniczym jednostki zewnętrznej. Zdjąć osłonę, aby ułatwić obsługę przełączników DIP.

8.2. Ruch próbny

8.2.1. Używanie SW4 w jednostce zewnętrznej

SW4-1	ON (włącz.)	Chłodzenie
SW4-2	OFF (wył.)	
SW4-1	ON (włącz.)	Grzanie
SW4-2	ON (włącz.)	

- * Po przeprowadzeniu pracy próbnej należy ustawić przełącznik SW4-1 w pozycji OFF (wył.).
- Po podaniu zasilania z wnętrza jednostki zewnętrznej może dobiegać ciche klikanie. To dźwięk otwierania i zamykania elektronicznego zaworu rozprężnego. Urządzenie nie jest uszkodzone.

- Kilka sekund po uruchomieniu sprężarki z wnętrza jednostki zewnętrznej może dobiegać brzęczenie. Dźwięk ten wydaje zawór zwrotny z powodu niewielkiej różnicy ciśnienia w rurach. Urządzenie nie jest uszkodzone.

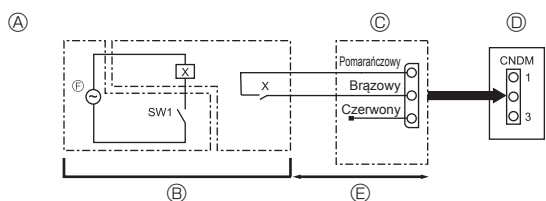
W trakcie pracy próbnej nie można zmienić jej trybu za pomocą przełącznika DIP SW4-2. (Aby w trakcie pracy próbnej zmienić jej tryb, należy przerwać pracę próbną za pomocą przełącznika DIP SW4-1. Po zmianie trybu pracy próbnej należy wznowić pracę próbną za pomocą przełącznika SW4-1).

8.2.2. Używanie zdalnego sterownika

Patrz instrukcja instalacji jednostki wewnętrznej.

Uwaga: Czasami para powstała podczas odszraniania może przypominać dym wydobywający się z jednostki zewnętrznej.

9. Funkcje specjalne



Rys. 9-1

- A Przykład schematu obwodu (tryb pracy cichej) D Pulpit sterowniczy jednostki zewnętrznej
 B Rozplanowanie instalacji w miejscu przeznaczenia E Maks. 10 m
 C Adapter wejścia zewnętrznego (PAC-SC36NA-E) F Zasilanie przekaźnika
 X: Przełącznik

9.1. Tryb pracy cichej (modyfikacja wykonana w miejscu przeznaczenia) (rys. 9-1)

Wprowadzenie poniższych modyfikacji może obniżyć hałas jednostki zewnętrznej o około 3-4 dB. Tryb pracy cichej zostanie uruchomiony w przypadku, gdy do portu CNDM (opcja) na pulpicie sterowniczym jednostki zewnętrznej zostanie podłączony ogólnodostępny timer lub wejście potencjalowe przełącznika dwustanowego ON/OFF (wł./wył.).

- Skuteczność tego trybu zależy od temperatury i warunków panujących na zewnątrz.
- ① W przypadku użycia adapteru zewnętrznego wejścia (PAC-SC36NA-E) należy wykonać przedstawiony obwód. (Opcja)
- ② SW1 ON (wł.): Tryb pracy cichej
SW1 OFF (wył.): Praca normalna

Uwaga:

Kiedy przełączniki DIP SW7-1 i SW9-1 na pulpicie sterowniczym jednostki zewnętrznej są w pozycji ON (wł.), należy ustawić przełączniki DIP SW7-1, SW9-1 w pozycji OFF (wył.). (Tego trybu nie można używać razem z funkcją zapotrzebowania).

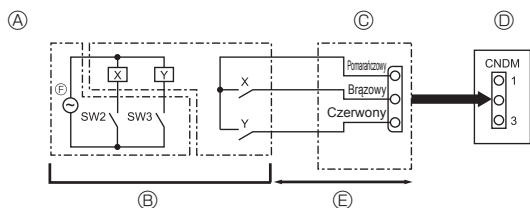
9.2. Funkcja zapotrzebowania (modyfikacja wykonywana w miejscu przeznaczenia) (rys. 9-2) (dotyczy tylko klimatyzatorów)

Wprowadzenie poniższej modyfikacji pozwala ograniczyć zużycie energii do 0–100% normalnego zużycia.

Funkcja zapotrzebowania zostanie uruchomiona w przypadku, gdy do portu CNDM (opcja) na pulpicie sterowniczym jednostki zewnętrznej zostanie podłączony ogólnodostępny timer lub wejście potencjalowe przełącznika dwustanowego ON/OFF (wł./wył.).

- ① W przypadku użycia adapteru zewnętrznego wejścia (PAC-SC36NA-E) należy wykonać przedstawiony obwód. (Opcja)
- ② Ustawiając SW7-1 na pulpicie sterowniczym jednostki zewnętrznej, zużycie energii (w porównaniu z normalnym zużyciem) można ograniczyć w poniższy sposób.

	SW7-1	SW2	SW3	Zużycie energii
Funkcja zapotrzebowania	ON (wł.)	OFF (wył.)	OFF (wył.)	100%
		ON (wł.)	OFF (wył.)	75%
		ON (wł.)	ON (wł.)	50%
		OFF (wył.)	ON (wł.)	0% (Zatrzymanie)



Rys. 9-2

- A Przykład schematu obwodu (funkcja zapotrzebowania) D Pulpit sterowniczy jednostki zewnętrznej
 B Rozplanowanie instalacji w miejscu przeznaczenia E Maks. 10 m
 C Adapter wejścia zewnętrznego (PAC-SC36NA-E) F Zasilanie przekaźnika
 X, Y: Przełącznik

9.3. Usunięcie czynnika chłodniczego (odpompowanie)

W przypadku zmiany miejsca instalacji lub utylizacji jednostki wewnętrznej/zewnętrznej należy odpompować zawartość układu zgodnie z poniższym opisem, tak aby czynnik chłodniczy nie został wypuszczony do atmosfery.

- ① Wyłączyć zasilanie (wyłącznik automatyczny).
- ② Podłączyć zawór niskiego ciśnienia na przyłączy manometru do gniazda zasilania (strona niskiego ciśnienia) w jednostce zewnętrznej.
- ③ Całkowicie zamknąć zawór odcinający cieczy.
- ④ Podać zasilanie (wyłącznik automatyczny).

*Po podaniu zasilania upewnić się, że na zdalnym sterowniku nie jest wyświetlany komunikat "CENTRALLY CONTROLLED" (STEROWANIE CENTRALNE). Jeśli jest wyświetlany komunikat "CENTRALLY CONTROLLED" (STEROWANIE CENTRALNE), nie można normalnie wykonać usuwania czynnika chłodniczego (odpompowania).

*Uruchomienie komunikacji między jednostkami wewnętrzną i zewnętrzną po włączeniu zasilania zajmuje około 3 minut (wyłącznik automatyczny). Rozpocząć odpompowanie 3-4 minuty po włączeniu zasilania (wyłącznik automatyczny).

- ⑤ Wykonać odpompowanie czynnika chłodniczego (chłodzenie próbne).

*Nacisnąć przełącznik odpompowania SWP (przycisk) na pulpicie sterowniczym jednostki zewnętrznej. Sprężarka i wentylatory (jednostki wewnętrzna i zewnętrzna) rozpoczną pracę (rozpoczyna się usuwanie czynnika chłodniczego). (Diody LED1 i LED2 na pulpicie sterowniczym jednostki zewnętrznej są włączone).

*Przełącznik odpompowania SWP wolno nacisnąć tylko wtedy, gdy urządzenie zostanie wyłączone. Jednak nawet jeśli urządzenie zostanie wyłączone, a przełącznik odpompowania SWP zostanie naciśnięty przed upływem 3 minut od zatrzymania sprężarki, nie będzie można wykonać usuwania czynnika chłodniczego. Zaczekać, aż upłyną 3 minuty od zatrzymania sprężarki, po czym ponownie nacisnąć przełącznik odpompowania SWP.

- ⑥ Gdy manometr na przyłączy manometru pokaże wartość 0,05 do 0 MPa [manometr] (ok. 0,5 do 0 kgf/cm²), należy całkowicie zamknąć zawór kulowy po stronie rury gazowej jednostki zewnętrznej i szybko wyłączyć jednostkę zewnętrzną.

*Ponowne naciśnięcie przełącznika odpompowania SWP spowoduje zatrzymanie urządzenia.

*Ponieważ urządzenie automatycznie zatrzymuje się w ciągu około 3 minut po zakończeniu usuwania czynnika chłodniczego (diody LED1 wyłączone, dioda LED2 świeci), należy szybko zamknąć zawór kulowy gazu. Jeśli jednak dioda LED1 świeci, dioda LED2 jest wyłączone, a urządzenie jest zatrzymane, należy całkowicie otworzyć zawór odcinający cieczy, całkowicie zamknąć zawór po upływie minimum 3 minut, po czym powtórzyć krok ⑥. (Całkowicie otworzyć zawór kulowy gazu).

*Jeśli usuwanie czynnika chłodniczego zostało wykonane normalnie (diody LED1 wyłączone, dioda LED2 świeci), urządzenie pozostanie zatrzymane do czasu wyłączenia zasilania.

*Należy pamiętać, że jeśli podłączone przewody opcjonalne są bardzo długie i zawierają dużą ilość czynnika chłodniczego, przeprowadzenie odpompowania może być niemożliwe. W takim przypadku należy zastosować urządzenie do odzyskiwania czynnika chłodniczego z układu.

- ⑦ Wyłączyć zasilanie (wyłącznik automatyczny), usunąć przyłączy manometru, po czym odłączyć rury czynnika chłodniczego.

⚠ Ostrzeżenie:

Podczas odsysania czynnika chłodniczego należy przed odłączeniem przewodów czynnika chłodniczego wyłączyć sprężarkę.

- Jeśli przewody czynnika chłodniczego zostaną odłączone podczas działania sprężarki, a zawór odcinający (zawór kulowy) jest otwarty, ciśnienie w obiegu chłodniczym może poprzez wciągnięcie powietrza ekstremalnie wzrosnąć, co może spowodować rozerwanie rur, obrażenia fizyczne itp.

9.4 Ustawianie temperatury funkcji ZUBADAN Flash Injection

Funkcja ZUBADAN Flash Injection zapewnia wysoką wydajność grzania przy niskich temperaturach na zewnątrz.

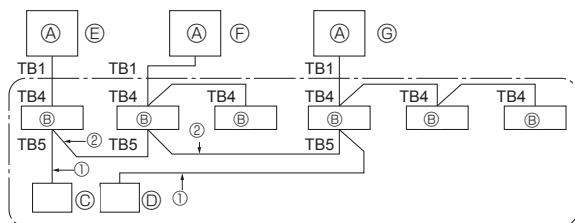
- Przełączniki SW9-3 i SW9-4 na pulpicie sterowniczym jednostki zewnętrznej umożliwiają ustawienie temperatury dostępnej dla funkcji ZUBADAN Flash Injection, zgodnie z tabelą poniżej.

SW9-3	SW9-4	Temperatura na zewnątrz
OFF (wył.)	OFF (wył.)	3°C lub mniejszych (Ustawienie domyślne)
OFF (wył.)	ON (wł.)	0°C lub mniejszych
ON (wł.)	OFF (wył.)	-3°C lub mniejszych
ON (wł.)	ON (wł.)	-6°C lub mniejszych

10. Sterowanie systemem

10.1. Klimatyzatory

- Ⓔ SW 1 – 3 do 6 ON (włącz.) OFF (wył.) 3 4 5 6
- Ⓕ SW 1 – 3 do 6 ON (włącz.) OFF (wył.) 3 4 5 6
- Ⓖ SW 1 – 3 do 6 ON (włącz.) OFF (wył.) 3 4 5 6
- Ⓐ Jednostka zewnętrzna
 Ⓑ Jednostka wewnętrzna
 Ⓒ Główny zdalny sterownik
 Ⓓ Podrzędny zdalny sterownik
 Ⓔ Standard 1:1 (adres czynnika chłodniczego = 00)
 Ⓕ Równoczesna praca w układzie twin (adres czynnika chłodniczego = 01)
 Ⓖ Równoczesna praca w układzie triple (adres czynnika chłodniczego = 02)



Rys. 10-1

* Ustawić właściwy adres czynnika chłodniczego za pomocą przełącznika DIP na jednostce zewnętrznej.

① Okablowanie ze zdalnego sterownika

Ten przewód jest podłączony do TB5 (zacisk zdalnego sterownika) jednostki wewnętrznej (niebiegunowy).

② W przypadku innego grupowania układu czynnika chłodniczego.

Zdalny sterownik Slim MA umożliwia sterowanie maksymalnie 16 układami czynnika chłodniczego jako jedną grupą.

Uwaga:

W pojedynczym układzie czynnika chłodniczego (układ twin/triple) nie ma potrzeby stosowania okablowania ②.

SW1

Tabela funkcji



Funkcja	Praca zgodnie z ustawieniem przełącznika	
	ON (włącz.)	OFF (wył.)
1 Przymusowe odszranianie	Start	Normalna
2 Kasowanie historii błędów	Kasuj	Normalna
3 Ustawienie adresu układu czynnika chłodniczego	Ustawienia adresów 0-15 jednostki zewnętrznej	
4		
5		
6		

10.2. Pompa ciepła powietrze-woda

Ustawić właściwy parametr czynnika chłodniczego za pomocą przełącznika DIP na jednostce zewnętrznej.

Ustawienie funkcji SW1

Ustawienie SW1	Adres czynnika chłodniczego	Ustawienie SW1	Adres czynnika chłodniczego
ON (włącz.) OFF (wył.) 3 4 5 6 7	00	ON (włącz.) OFF (wył.) 3 4 5 6 7	03
ON (włącz.) OFF (wył.) 3 4 5 6 7	01	ON (włącz.) OFF (wył.) 3 4 5 6 7	04
ON (włącz.) OFF (wył.) 3 4 5 6 7	02	ON (włącz.) OFF (wył.) 3 4 5 6 7	05

Uwaga:

a) Można podłączyć do 6 jednostek.

b) Wybrać jeden model dla wszystkich jednostek.

c) Informacje o ustawieniach przełącznika DIP dla jednostki wewnętrznej zawiera jej instrukcja instalacji.

11. Dane techniczne

Poziom hałas (zmierzony przy znamionowej częstotliwości roboczej).

			SHW80VHA	SHW112Y/VHA	SHW140YHA	SHW230YKA2
SPL	Grzanie	dB(A)	51	52	52	59
	Chłodzenie	dB(A)	50	51	51	58
PWL	Grzanie	dB(A)	69	70	70	75

Съдържание

1. Инструкции за безопасност.....	180	7. Електрически работи.....	186
2. Място за монтаж.....	181	8. Пробно пускане (само за климатици).....	188
3. Монтиране на външното тяло.....	183	9. Специални функции.....	189
4. Монтиране на тръбите за хладилен агент.....	183	10. Управление на системата.....	190
5. Отводнителни тръби.....	186	11. Спецификации.....	190
6. Водопроводни тръби (само за термпомпи въздух-вода).....	186		



Забележка: Този символ се отнася само за страните от Европейския съюз.

Този символ е съгласно директива 2012/19/ЕС, член 14, Информация за потребители и Приложение IX.

Вашият продукт MITSUBISHI ELECTRIC е проектиран и произведен с висококачествени материали и компоненти, които могат да се рециклират и да се използват отново.

Този символ означава, че електрическото и електронното оборудване, в края на експлоатационния му живот, трябва да се изхвърля отделно от битовите отпадъци.

Моля, изхвърлете това оборудване в локалния общински пункт за рециклиране/събиране на отпадъци.

В държавите от Европейския съюз има системи за разделно събиране на излезли от употреба електрически и електронни продукти.

Призоваваме ви да ни помогнете да запазим планетата чиста – тя е нашият дом!

⚠ Внимание:

• Не отвеждайте R410A в атмосферата:

■ Сертифициране на термпомпите

Марката „NF Heat pumps“ е независима програма за сертифициране, доказваща, че производителността на термпомпите и качеството на производство на фабриката са в съответствие със сертифициращия референтен показател NF-414. Комбинациите от вътрешни и външни тела, както и приложенията им, които могат да използват марката NF PAC, може да се видят на уебсайта www.marque-nf.com

1. Инструкции за безопасност

- ▶ Преди да монтирате тялото, се уверете, че сте прочели всички „Инструкции за безопасност“.
- ▶ Моля, уведомете или получите съгласието на доставящия орган преди свързване към системата.
- ▶ PUNZ-SHW230YKA2
„Това оборудване съответства на IEC 61000-3-12, при условие че мощността на късото съединение S_{Sc} е по-голяма или равна на $S_{Sc} (*1)$ в точката на свързване между мрежата на потребителя и обществената система. Отговорност на монтажника или на потребителя е да се осигури, след консултация с оператора на дистрибуторската мрежа, ако е необходимо, свързване на оборудването само с мрежа, в която мощността на късото съединение S_{Sc} е по-голяма или равна на $S_{Sc} (*1)$.“

Модел	S_{Sc} (MVA)
PUNZ-SHW230YKA2	1,35

⚠ Предупреждение:

Описва предпазните мерки, които трябва да се спазват, за да се предотврати опасността от нараняване или смърт на потребителя.

⚠ Внимание:

Описва предпазните мерки, които трябва да се спазват, за да се предотвратят повреди на тялото.

След завършване на монтажните работи обяснете на клиента „Инструкциите за безопасност“, употребата и поддръжката на тялото въз основа на информацията в ръководството за експлоатация и извършете пробното пускане, за да се гарантира нормална работа. Както ръководството за монтаж, така и ръководството за експлоатация трябва да се предоставят на потребителя за съхранение. Тези ръководства трябва да се предават на следващите потребители.

⚡ : Обозначава част, която трябва да се заземи.

⚠ Предупреждение:

Внимателно прочетете етикетите, прикрепени към основното тяло.

⚠ Предупреждение:

- Тялото не трябва да се монтира от потребителя. Извикайте дилър или оторизиран техник да монтира тялото. Ако тялото е монтирано неправилно, това може да доведе до изтичане на вода, токов удар или пожар.
- За монтажните работи следвайте инструкциите в ръководството за монтаж и използвайте инструменти и тръбни компоненти, специално произведени за използване с хладилен агент R410A. Налиягането на хладилния агент R410A в системата HFC е 1,6 пъти по-голямо от това на обичайните хладилни агенти. Ако се използват тръбни компоненти, които не са проектирани за хладилния агент R410A и тялото не е монтирано правилно, тръбите може да се пръснат и да причинят повреди или наранявания. В допълнение това може да доведе до изтичане на вода, токов удар или пожар.
- Тялото трябва да се монтира в съответствие с инструкциите, за да се сведе до минимум рискът от повреди, произтичащи от земетресения, тайфуни или силни ветрове. Неправилно монтираното тяло може да падне и да причини повреда или наранявания.
- Тялото трябва да е здраво монтирано върху конструкция, която може да издържи теглото му. Ако тялото е монтирано върху нестабилна конструкция, то може да падне и да причини повреда или наранявания.
- Ако външното тяло е монтирано в малко пространство, трябва да се вземат мерки, за да се предотврати възможността концентрацията на хладилен агент в помещението да превиши безопасната граница в случай на изтичане на хладилен агент. Консултирайте се с дилър за подходящите мерки, с които да се предотврати превишаването на допустимата концентрация. Ако хладилният агент изтече и в резултат на това границата на концентрация бъде превишена, може да възникне опасност, дължаща се на липсата на кислород в помещението.
- Проветрете помещението, ако изтече хладилен агент по време на работа. Ако хладилен агент попадне в контакт с пламък, ще се отделят отровни газове.
- Всички електрически работи трябва да се извършват от квалифициран техник съгласно местните разпоредби и указанията, дадени в това ръководство. Телата трябва да се защитават от собствени силови линии и трябва да се използват правилни напрежения и прекъсвачи. Силови линии с недостатъчен капацитет или неправилни електрически работи може да доведат до токов удар или пожар.
- Използвайте неокислена фосфорна мед C1220 за произведени от мед или медни сплави безшевни тръби, за да свържете тръбите за хладилен агент. Ако тръбите не са свързани правилно, тялото няма да бъде

- правилно заземено и може да възникне токов удар.
- Използвайте само посочените кабели за окабеляване. Свързването на проводниците трябва да се извърши безопасно без прилагане на опън върху клемните връзки. Също така, никога не снаждайте кабели за окабеляване (освен ако не е изрично упоменато в този документ). Неспазването на тези инструкции може да доведе до прегряване или пожар.
- Покриващият панел на клеморедата на външното тяло трябва да се прикрепи здраво. Ако той е монтиран неправилно и в тялото проникнат прах и влага, може да възникне токов удар или пожар.
- Когато монтирате или премествате, или обслужвате външното тяло, използвайте само посочения хладилен агент (R410A) за зареждане на линията за хладилен агент. Не смесвайте с друг хладилен агент и не позволявайте в линията да остане въздух. Ако въздух се смеси с хладилния агент, това може да стане причина за необичайно високо налягане в линията за хладилен агент и може да доведе до експлозия или други опасности. Употребата на хладилен агент, различен от изрично упоменатия за системата, ще доведе до механична повреда, неправилно функциониране на системата или повреда на тялото. В най-лошия случай това може сериозно да възпрепятства осигуряването на безопасността на продукта.
- Използвайте само аксесоари, разрешени от Mitsubishi Electric, и извикайте дилър или оторизиран техник да ги монтира. Ако аксесоарите са монтирани неправилно, това може да доведе до изтичане на вода, токов удар или пожар.
- Не извършвайте изменения по тялото. Консултирайте се с дилър за ремонтите. Ако измененията или ремонтите не са извършени правилно, това може да доведе до изтичане на вода, токов удар или пожар.
- Потребителят никога не трябва да се опитва да ремонтира тялото или да го прехвърля на друго място. Ако тялото е монтирано неправилно, това може да доведе до изтичане на вода, токов удар или пожар. Ако външното тяло трябва да се ремонтира или премести, извикайте дилър или оторизиран техник.
- След завършване на монтажните работи проверете за изтичане на хладилен агент. Ако има изтичане на хладилен агент в помещението и той влезе в контакт с пламъка на нагревател или преносима печка, ще бъдат освободени отровни газове.

1.1. Преди монтаж

⚠ Внимание:

- Не използвайте тялото в необичайна среда. Ако външното тяло се монтира в зони, изложени на пара, летливо масло (включително машинно масло) или серен газ или в зони с високо съдържание на сол, например крайбрежие, или в зони, в които тялото ще се покрие със сняг, производителността може да бъде значително намалена, а вътрешните части може да се повредят.
- Не монтирайте тялото на места, където горими газове могат да изтекат, да се произвеждат, вливат или натрупват. Ако около тялото се натрупа запалим газ, това може да причини пожар или експлозия.
- Външното тяло отделя конденз в режим на отопление. Непременно

осигурете отводняване около външното тяло, ако такъв конденз е вероятно да причини повреда.

- Когато тялото се инсталира в болница или комуникационен офис, трябва да бъдат подготвени за шум и електронна интерференция. Инвертори, домакински уреди, висококачествено медицинско оборудване и радиокомуникационно оборудване могат да причинят повреда или неизправност на външното тяло. Външното тяло може да оказва влияние и върху медицинско оборудване, като смущава здравните грижи и комуникационното оборудване и влошава качеството на екранното изображение.

1. Инструкции за безопасност

1.2. Преди монтаж (преместване)

⚠ Внимание:

- Бъдете изключително внимателни при транспортиране или монтиране на телата. За пренасяне на тялото са необходими 2 души или повече, тъй като то тежи не по-малко от 20 kg. Не хващайте опаковъчните ленти. Носете предпазни ръкавици за изваждане на тялото от опаковката и преместването му, тъй като можете да нараните ръцете си в ребрата или ръба на други части.
- Извършете опаковъчните материали по безопасен начин. Опаковъчните материали, като гвоздеи и други метални или дървени части, могат да причинят пробождаване или други наранявания.

- Основата и закрепванията на външното тяло трябва да се проверяват периодично за разхлабване, напукване или други повреди. Ако такива дефекти се оставят непоправени, тялото може да падне и да причини щети или наранявания.
- Не почиствайте външното тяло с вода. Може да възникне ток удар.
- Затегнете всички конусни гайки според спецификацията с помощта на динамометричен ключ. Ако бъдат затегнати твърде силно, конусните гайки може да се счупят след продължителен период и хладилният агент може да изтече.

1.3. Преди електрически работи

⚠ Внимание:

- Непременно монтирайте прекъсвачи. Ако не бъдат монтирани, може да възникне ток удар.
- За силовите линии използвайте стандартни кабели с достатъчен капацитет. В противен случай може да причините късо съединение, прегряване или пожар.
- При инсталиране на силовите линии не прилагайте опън върху кабелите. Ако връзките са разхлабени, кабелите може да се скъсат или прекъснат, което може да причини прегряване или пожар.

- Тялото трябва непременно да се заземи. Не свързвайте заземяващи кабели към газопроводи или водопроводи, гръмоотводи или заземителни кабели на телефонната мрежа. Ако тялото не е правилно заземено, може да възникне ток удар.
- Използвайте прекъсвачи (прекъсвач за утечка към земя, изолиращ прекъсвач (+V предпазител) и прекъсвач с лят корпус) с посочения капацитет. Ако капацитетът на прекъсвача е по-голям от посочения, може да възникне повреда или пожар.

1.4. Преди стартиране на пробното пускане (само за климатици)

⚠ Внимание:

- Включете главния захранващ превключвател повече от 12 часа, преди да започнете експлоатацията. Стартирането на експлоатацията точно след включване на захранващия превключвател може сериозно да повреди вътрешните части. Дръжте главния захранващ превключвател включен по време на експлоатационния сезон.
- Преди стартиране на експлоатацията проверете дали всички панели, предпазни средства и други защитни части са монтирани правилно. Въртящи се части, горещи части или части под високо напрежение могат да причинят наранявания.

- Не докосвайте превключвателите с мокри ръце. Може да възникне ток удар.
- Не докосвайте тръбите за хладилен агент с голи ръце по време на експлоатацията. Тръбите за хладилен агент са горещи или студени в зависимост от състоянието на течащия хладилен агент. Ако докоснете тръбите, може да получите изгаряния или измръзвания.
- След спиране на експлоатацията непременно изчакайте най-малко пет минути, преди да изключите главния захранващ превключвател. В противен случай може да възникне изтичане на вода или повреда.

1.5. Използване на външно тяло с хладилен агент R410A

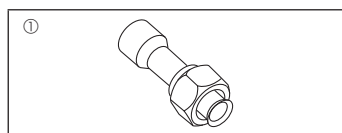
⚠ Внимание:

- Използвайте неокислена фосфорна мед C1220 за произведени от мед или медни сплави безшевни тръби, за да свържете тръбите за хладилен агент. Уверете се, че вътрешната страна на тръбите е чиста и не съдържа вредни замърсители, като например серни съединения, окислителни, остатъци или прах. Използвайте тръби с посочената дебелина. (Вижте 4.1.) Имайте предвид следното, ако използвате повторно съществуващи тръби, по които е пренасян охладителен агент R22.
 - Заменете съществуващите конусни гайки и обработете конусните секции отново.
 - Не използвайте тънки тръби. (Вижте 4.1.)
- Съхранявайте тръбите, които ще се използват за монтаж в затворено помещение и дръжте двата им края запечатани до самия момент на спояване. (Оставете коленните връзки и др. в опаковките им.) Ако прах, частици или влага проникнат в линиите за хладилния агент, качеството на хладилното масло може да се влоши или компресорът може да се повреди.
- Използвайте естерно масло, етерично масло, алкилбензеново масло (малко количество) като хладилно масло, прилагано към конусните секции. Ако в хладилното масло има смесено минерално масло, качеството му може да се влоши.

- Не използвайте хладилен агент, различен от R410A. Ако се използва друг хладилен агент, хлорът ще причини влошаване на качеството на маслото.
- Използвайте следните инструменти, специално проектирани за употреба с хладилен агент R410A. За използването на хладилния агент R410A са необходими следните инструменти. Свържете се с най-близкия дилър, ако имате въпроси.

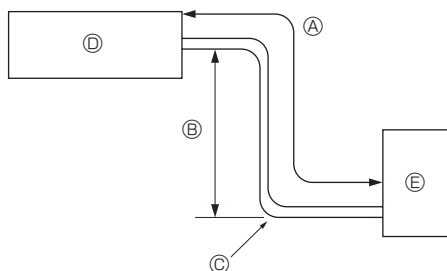
Инструменти (за R410A)	
Манометър	Конусна дъска
Заряден маркуч	Уред за настройване на размера
Детектор за изтичане на газ	Адаптер за вакуумна помпа
Динамометричен ключ	Електронна везна за зареждане на хладилен агент

- Задължително използвайте правилните инструменти. Ако прах, частици или влага проникнат в линиите за хладилния агент, качеството на хладилното масло може да се влоши.
- Не използвайте бутилка за зареждане. Ако се използва бутилка за зареждане, съставът на хладилния агент ще се промени и ефективността ще се намали.



Фиг. 1-1

2. Място за монтаж



Фиг. 2-1

1.6. Аксесоари на външното тяло (Фиг. 1-1) (SHW230)

Показаните отляво части са аксесоарите на това тяло, които са закрепени към вътрешната страна на сервисния панел.

- ① Съединяваща тръба.....x1

2.1. Тръба за хладилен агент (Фиг. 2-1)

► Проверете дали разликата между височината на вътрешното и външното тяло, дължината на тръбата за хладилен агент и броят колена в тръбата са в рамките на ограниченията, посочени по-долу.

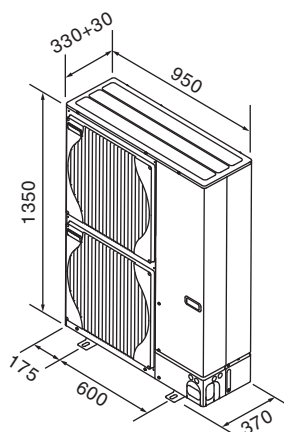
Модел	Ⓐ Дължина на тръбата (една посока)	Ⓑ Разлика във височината	Ⓒ Брой колена (една посока)
SHW80, 112, 140	2 m – 75 m	Макс. 30 m	Макс. 15
SHW230	2 m – 80 m	Макс. 30 m	Макс. 15

- Ограничението за разлики във височината се определя независимо от това кое тяло, вътрешно или външно, е позиционирано по-високо.

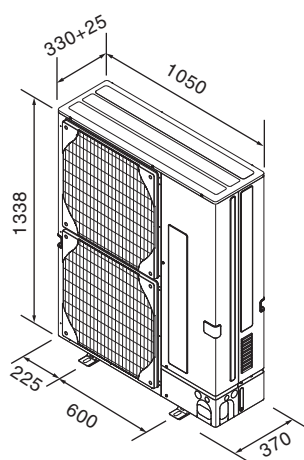
- Ⓐ Вътрешно тяло
- Ⓑ Външно тяло

2. Място за монтаж

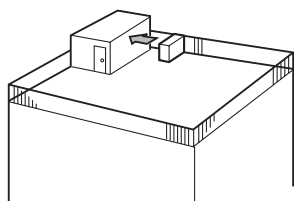
■ SHW80, 112, 140



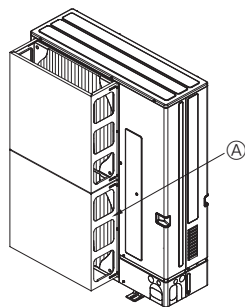
■ SHW230



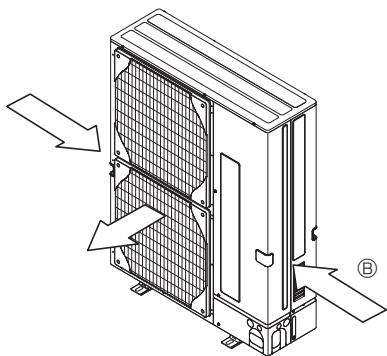
Фиг. 2-2



Фиг. 2-3



Фиг. 2-4



Фиг. 2-5

2.2. Избор на място за монтаж на външното тяло

- Избягвайте места, изложени на пряка слънчева светлина или други източници на топлина.
- Изберете място, от което шумът, излъчван от тялото, не причинява неудобства на съседите.
- Изберете място, което позволява лесно окабеляване и тръбен достъп до източника на захранване и вътрешното тяло.
- Избягвайте места, където горими газове могат да изтекат, да се произведат, вливат или натрупват.
- Имайте предвид, че по време на работа от тялото може да тече вода.
- Изберете равно място, което може да издържи тежлото и вибрациите на тялото.
- Избягвайте места, където тялото може да е покрито от сняг. В районите, където се очакват обилни снеговалежи, трябва да се вземат специални предпазни мерки, за да се предотврати блокиране на входния отвор на въздухопровода от сняг или директното му навяване, например да се монтира тялото на по-високо място или да се монтира клапа на входния отвор на въздухопровода. Това може да намали въздушния поток и да доведе до неправилно функциониране.
- Избягвайте места, изложени на масло, пара или серен газ.
- За пренасяне на външното тяло използвайте транспортните дръжки от външната страна. Не дръжте основата на тялото при пренасяне, тъй като съществува риск ръцете и пръстите да бъдат притиснати.

2.3. Планови размери (Външно тяло) (Фиг. 2-2)

2.4. Пространство за вентилациране и обслужване

2.4.1. Монтиране на ветровито място

При монтиране на външното тяло на покрив или друго място, където е изложено на силен вятър, не поставяйте изхода за въздух на тялото ориентиран директно срещу вятъра. Влизането на силен вятър в изхода за въздух може да попречи на нормалния въздушен поток, а това може да доведе до неизправност.

По-долу са показани три примера за предпазни мерки срещу силни ветрове.

- ① Поставете изхода за въздух ориентиран към най-близката стена на разстояние от около 50 cm. (Фиг. 2-3)
- ② Монтирайте допълнително изпускателно направляващо устройство, ако тялото е монтирано на място, където силни ветрове от тайфун и др., могат директно да влязат в изхода за въздух. (Фиг. 2-4)
 - Ⓐ Изпускателно предпазно направляващо устройство
- ③ Ако е възможно, поставете тялото така, че изходът за въздух да духа перпендикулярно на посоката на сезонния вятър, ако е възможно. (Фиг. 2-5)
 - Ⓑ Посока на вятъра

2.4.2. При монтаж на едно външно тяло (вижте последната страница)

Минималните размери са, както следва, с изключение на макс., което означава максимални размери.

Вижте стойностите за всеки отделен случай.

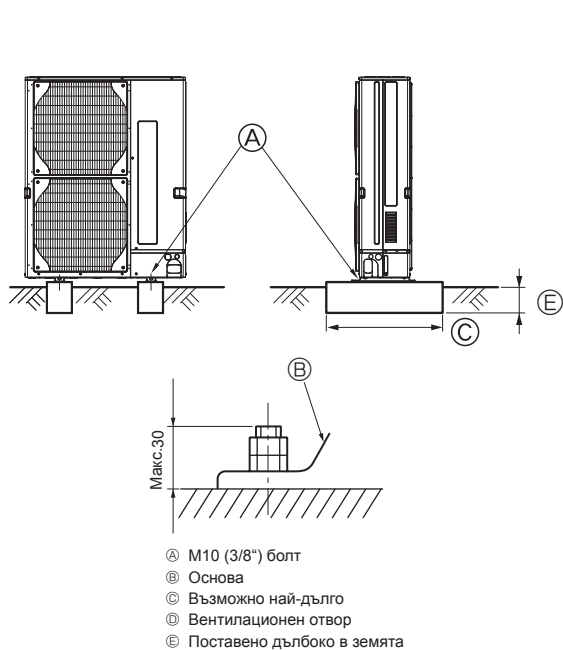
- ① Само препятствия отзад (Фиг. 2-6)
- ② Само препятствия отзад и отгоре (Фиг. 2-7)
- ③ Само препятствия отзад и отстрани (Фиг. 2-8)
- ④ Само препятствия отпред (Фиг. 2-9)
 - * При използване на допълнителните изпускателни направляващи устройства свободното пространство е 500 mm или повече.
- ⑤ Само препятствия отпред и отзад (Фиг. 2-10)
 - * При използване на допълнителните изпускателни направляващи устройства свободното пространство е 500 mm или повече.
- ⑥ Само препятствия отзад, отстрани и отгоре (Фиг. 2-11)
 - * Не монтирайте допълнителни изпускателни направляващи устройства за въздушен поток нагоре.

2.4.3. При монтаж на няколко външни тела (вижте последната страница)

Оставете пространство от 10 mm или повече между телата.

- ① Само препятствия отзад (Фиг. 2-12)
- ② Само препятствия отзад и отгоре (Фиг. 2-13)
 - * Не трябва да се монтират повече от 3 тела едно до друго. В допълнение оставете пространство, както е показано.
 - * Не монтирайте допълнителни изпускателни направляващи устройства за въздушен поток нагоре.
- ③ Само препятствия отпред (Фиг. 2-14)
 - * При използване на допълнителните изпускателни направляващи устройства свободното пространство е 1000 mm или повече.
- ④ Само препятствия отпред и отзад (Фиг. 2-15)
 - * При използване на допълнителните изпускателни направляващи устройства свободното пространство е 1000 mm или повече.
- ⑤ Успоредна подредба на едно тяло (Фиг. 2-16)
 - * При използване на допълнителните изпускателни направляващи устройства, монтирани за въздушен поток нагоре, свободното пространство е 1000 mm или повече.
- ⑥ Успоредна подредба на няколко тела (Фиг. 2-17)
 - * При използване на допълнителните изпускателни направляващи устройства, монтирани за въздушен поток нагоре, свободното пространство е 1500 mm или повече.
- ⑦ Подредба на тела едно върху друго (Фиг. 2-18)
 - * Могат да се подредят до 2 тела едно върху друго.
 - * Не трябва да се монтират повече от 2 тела едно върху друго и едно до друго. В допълнение оставете пространство, както е показано.

3. Монтиране на външното тяло



- Непременно монтирайте тялото на здрава, равна повърхност, за да предотвратите тракащи звуци по време на работа. (Фиг. 3-1)

<Спецификации на основата>

Фундаментен болт	M10 (3/8")
Дебелина на бетон	120 mm
Дължина на болт	70 mm
Носимоспособност	320 kg

- Уверете се, че дължината на фундаментния болт е в рамките на 30 mm от долната повърхност на основата.
- Здраво закрепете основата на тялото с четири фундаментни болта M10 на стабилни места.

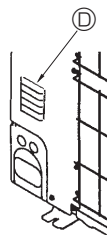
Монтиране на външното тяло

- Не блокирайте вентилационния отвор. Ако вентилационният отвор е блокиран, функционирането ще бъде затруднено и може да се стигне до повреда.
- Освен основата на тялото, използвайте монтажните отвори в задната му част за закрепване на кабели и други, ако са необходими за монтирането му. Използвайте самонарезни винтове ($\phi 5 \times 15$ mm или по-малки) и монтирайте на място.

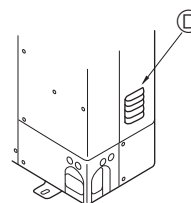
⚠ Предупреждение:

- Тялото трябва да е здраво монтирано върху конструкция, която може да издържи теглото му. Ако тялото е монтирано върху нестабилна конструкция, то може да падне и да причини повреда или наранявания.
- Тялото трябва да се монтира в съответствие с инструкциите, за да се сведе до минимум рискът от повреди, произтичащи от земетресения, тайфуни или силни ветрове. Неправилно монтираното тяло може да падне и да причини повреда или наранявания.

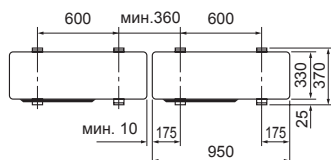
■ SHW80, 112, 140



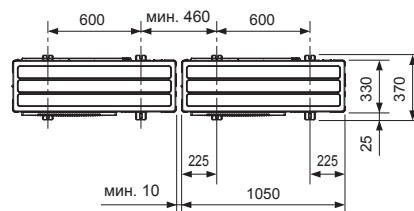
■ SHW230



■ SHW80, 112, 140



■ SHW230



Фиг. 3-1

4. Монтиране на тръбите за хладилен агент

4.1. Предпазни мерки за устройства, използващи хладилен агент R410A

- Вижте т. 1.5. за невключени по-долу предпазни мерки при използване на външно тяло с хладилен агент R410A.
- Използвайте естерно масло, етерично масло, алкилбензеново масло (малко количество) като хладилно масло, прилагано към конусните секции.
- Използвайте неокислена фосфорна мед C1220 за произведения от мед или медни сплави безшевни тръби, за да свържете тръбите за хладилен агент. Използвайте тръби за хладилен агент с дебелината, посочена в таблицата по-долу. Уверете се, че вътрешната страна на тръбите е чиста и не съдържа вредни замърсители, като например серни съединения, окислители, остатъци или прах. Винаги прилагайте неокисляващ се припой за запояване на тръбите, в противен случай компресорът ще се повреди.

⚠ Предупреждение:

Когато монтирате или премествате, или обслужвате външното тяло, използвайте само посочения хладилен агент (R410A) за зареждане на линиите за хладилен агент. Не смесвайте с друг хладилен агент и не позволявайте в линиите да остане въздух.

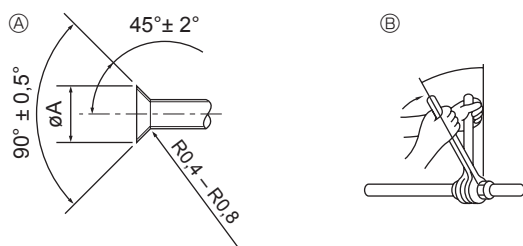
Ако въздух се смеси с хладилния агент, това може да стане причина за неочаквано високо налягане в линията за хладилен агент и може да доведе до експлозия или други опасности.

Употребата на хладилен агент, различен от изрично упоменатия за системата, ще доведе до механична повреда, неправилно функциониране на системата или повреда на тялото. В най-лошия случай това може сериозно да възпрепятства осигуряването на безопасността на продукта.

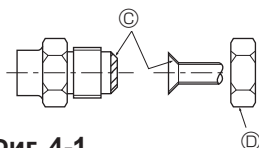
Размер на тръбата (mm)	$\phi 6,35$	$\phi 9,52$	$\phi 12,7$	$\phi 15,88$	$\phi 19,05$	$\phi 22,2$	$\phi 25,4$	$\phi 28,58$
Дебелина (mm)	0,8	0,8	0,8	1,0	1,0	1,0	1,0	1,0

- Не използвайте тръби, по-тънки от посочените по-горе.
- Използвайте тръби 1/2 N или N, ако диаметърът е 19,05 mm или по-голям.

4. Монтиране на тръбите за хладилен агент



Ⓐ Размери за срязване на разширението
Ⓑ Сила на затягане на конусната гайка



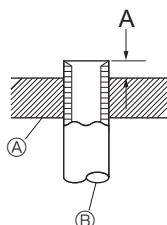
Фиг. 4-1

Ⓐ (Фиг. 4-1)

Външен диаметър на медна тръба (mm)	Размери на разширението ϕA размери (mm)
$\phi 6,35$	8,7 – 9,1
$\phi 9,52$	12,8 – 13,2
$\phi 12,7$	16,2 – 16,6
$\phi 15,88$	19,3 – 19,7
$\phi 19,05$	23,6 – 24,0

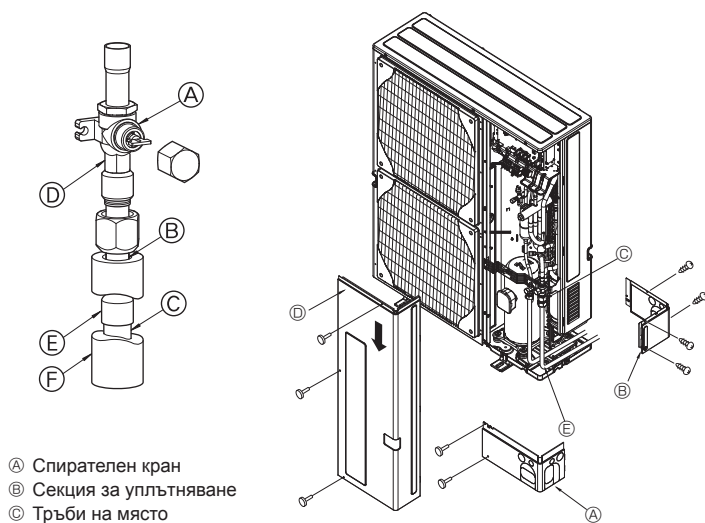
Ⓑ (Фиг. 4-1)

Външен диаметър на медна тръба (mm)	Външен диаметър на конусна гайка (mm)	Сила на затягане (N·m)
$\phi 6,35$	17	14 – 18
$\phi 6,35$	22	34 – 42
$\phi 9,52$	22	34 – 42
$\phi 12,7$	26	49 – 61
$\phi 12,7$	29	68 – 82
$\phi 15,88$	29	68 – 82
$\phi 15,88$	36	100 – 120
$\phi 19,05$	36	100 – 120



Ⓐ Матрица
Ⓑ Медна тръба

Фиг. 4-2



Ⓐ Спирателен кран
Ⓑ Секция за уплътняване
Ⓒ Тръби на място
Ⓓ Секция за двоен гаечен ключ
Ⓔ Съединяваща тръба
Ⓕ Капак за тръби

Фиг. 4-3

Ⓐ Преден капак за тръби
Ⓑ Капак за тръби
Ⓒ Спирателен кран
Ⓓ Сервизен панел
Ⓔ Радиус на огъване: 100 mm – 150 mm

Фиг. 4-4

4.2. Свързващи тръби (Фиг. 4-1)

- Когато се използват медни тръби, предлагани в търговската мрежа, тръбите за течности и за газ трябва да се обвият с изолационни материали, предлагани в търговската мрежа (с температурна устойчивост над 100 °C и дебелина над 12 mm).
- Отделете топлинната изолация за охладителните тръби за газ и за течности.
- Вътрешните части на отводнителната тръба трябва да бъдат обвити с изолация от полиетиленова пяна (относителна плътност 0,03, дебелина над 9 mm).
- Нанесете тънък слой от хладилно масло върху допирната повърхност между тръбата и съединението, преди да затегнете конусната гайка. Ⓐ
- Използвайте 2 гаечни ключа за затягане на тръбните съединения. Ⓑ
- Използвайте детектор за изтичане или сапунена вода, за да проверите за изтичане на газ, след като завършите съединенията.
- Нанесете охлаждащо машинно масло по цялата повърхност на свързване на гайката. Ⓒ
- Използвайте конусните гайки за следните размери тръби. Ⓓ

		SHW80, 112, 140	SHW230
От страната на газта	Размер на тръбата (mm)	$\phi 15,88$	$\phi 25,4$
От страната на течността	Размер на тръбата (mm)	$\phi 9,52$	$\phi 12,7$

- Внимавайте да не счупите тръбите при огъването им. Достатъчни са радиуси на огъване от 100 mm до 150 mm.
- Уверете се, че тръбите не попадат в контакт с компресора. Това може да доведе до необичаен шум или вибрации.
- ① Тръбите трябва да се свързват, започвайки от вътрешното тяло. Конусните гайки трябва да се затегнат с динамометричен ключ.
- ② Разширете тръбите за течност и газ и нанесете тънък слой охлаждащо масло (извършва се на място).
- Когато се използва обикновено уплътнение за тръбите, вижте Таблица 1 за разширяване на тръби за хладилен агент R410A. За потвърждаване на измерванията в А може да се използва уредът за настрояване на размера.

Таблица 1 (Фиг. 4-2)

Външен диаметър на медна тръба (mm)	A (mm)	
	Конусна дъска за R410A	Конусна дъска за R22-R407C
	Тип клещи	
$\phi 6,35$ (1/4")	0 – 0,5	1,0 – 1,5
$\phi 9,52$ (3/8")	0 – 0,5	1,0 – 1,5
$\phi 12,7$ (1/2")	0 – 0,5	1,0 – 1,5
$\phi 15,88$ (5/8")	0 – 0,5	1,0 – 1,5
$\phi 19,05$ (3/4")	0 – 0,5	1,0 – 1,5

- ③ Използвайте следната процедура за свързване на тръбите от страната на газа. (Фиг.4-3) (SHW230)

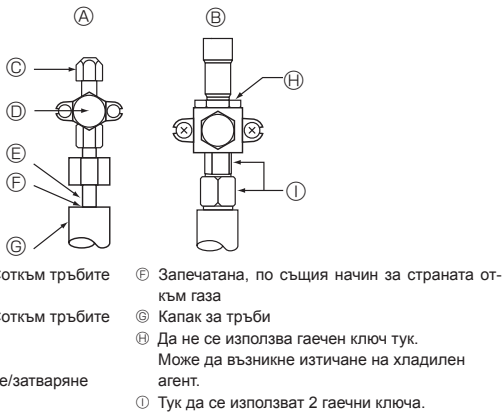
- 1 Спойте съединяващата тръба Ⓔ, осигурена за външното тяло, като използвате доставени на място материали за запояване и Ⓒ тръбите на място безкислородно.
- 2 Свържете съединяващата тръба Ⓔ към спирателния кран от страната на газа. Използвайте 2 гаечни ключа за затягане на конусната гайка.
* Ако редът е обратен, възниква изтичане на хладилен агент, дължащо се на повреда на частите от запояващия пламък.

4.3. Тръби за хладилен агент (Фиг. 4-4)

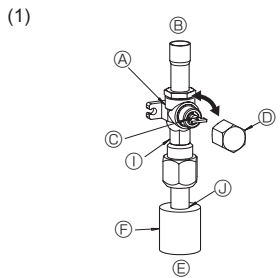
Свалете сервизния панел Ⓓ (3 винта), предния капак за тръби Ⓐ (2 винта) и задния капак за тръби Ⓑ (2 винта: SHW80 - 140) (4 винта: SHW230).

- ① Изпълнете съединенията на тръбите за хладилен агент за вътрешното/външното тяло, при което спирателният кран на външното тяло е напълно затворен.
- ② Продушайте с вакуум въздуха от вътрешното тяло и съединяващите тръби.
- ③ След като свържете тръбите с хладилен агент, проверете свързаните тръби и вътрешното тяло за изтичане на газ. (Вижте 4.4. Метод за изпробване на херметизацията на охладителна тръба.)
- ④ На сервизния порт на спирателния кран се използва високоефективна вакуумна помпа (най-малко един час след достигане на -101 kPa (5 Torr)), за да се изсуши с вакуум вътрешността на тръбите. Винаги проверявайте степента на вакуум на манометъра. Ако в тръбата има останала влага, степента на вакуум понякога не може да се достигне с краткотрайно прилагане на вакуум.
След изсушаването с вакуум отворете изцяло спирателните кранове (за течност и за газ) за външното тяло. Това свързва напълно охладителните вериги на вътрешното и външното тяло.
- Ако изсушаването с вакуум е незадоволително, в охладителните вериги остават въздух и водни пари и могат да причинят ненормално повишаване на високото налягане, ненормално спадане на ниското налягане, влошаване на охлаждащото машинно масло поради влагата и т.н.
- Ако спирателните кранове се оставят затворени и тялото работи, компресорът и контролните кранове ще бъдат повредени.
- Използвайте детектор за изтичане или сапунена вода, за да проверите за изтичане на газ в секциите на съединяване на тръбите на външното тяло.
- Да не се използва хладилният агент от тялото за продухване на въздуха от линиите на хладилния агент.
- След като свършите работата на крановете, затегнете капачките им с подходящата сила на затягане: 20 до 25 N·m (200 до 250 kgf·cm). Ако не поставите обратно или не затегнете капачките, може да настъпи изтичане на газ. Освен това не повреждайте вътрешностите на капачките на крановете, тъй като те действат като уплътнение, за да бъде предотвратено изтичането на хладилен газ.
- ⑤ Използвайте уплътнител, за да запечатате краищата на термоизолацията около секциите на съединяване на тръбите, за да не допуснете в нея да проникне вода.

4. Монтиране на тръбите за хладилен агент

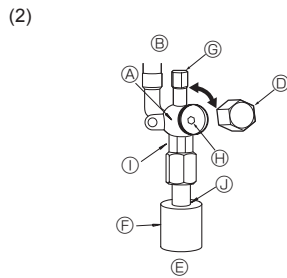


Фиг. 4-5



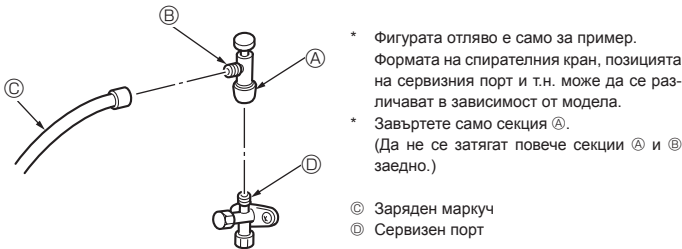
Фиг. 4-6

- Ⓐ Кран
- Ⓑ Страна на тялото
- Ⓒ Дръжка
- Ⓓ Капачка
- Ⓔ Страна на тръбите на място
- Ⓕ Капак за тръби
- Ⓖ Сервизен порт



Фиг. 4-7

- Ⓗ Отвор за гаечен ключ
- Ⓘ Секция за двоен гаечен ключ (Не използвайте гаечен ключ на друго място. Това ще причини изтичане на хладилен агент.)
- Ⓧ Секция за запечатване (Запечатвайте края на термоизолационния материал в секцията на съединяване на тръбите с произволен уплътняващ материал, с който разполагате, така че в термоизолационния материал да не проникне вода.)



Фиг. 4-8

4.4. Метод за изпробване на херметизацията на охладителна тръба (Фиг. 4-5)

- (1) Свържете уредите за изпитване.
 - Уверете се, че спирателните кранове Ⓐ Ⓑ са затворени и не ги отваряйте.
 - Добавете налягане към линиите за хладилен агент чрез сервизния порт Ⓒ на спирателния кран за течност Ⓐ.
- (2) Не добавяйте рязко налягане към посоченото; правете го малко по малко.
 - ① Създайте налягане до 0,5 МПа (5 kgf/cm²G), изчакайте 5 минути и се уверете, че налягането не спада.
 - ② Създайте налягане до 1,5 МПа (15 kgf/cm²G), изчакайте 5 минути и се уверете, че налягането не спада.
 - ③ Създайте налягане до 4,15 МПа (41,5 kgf/cm²G) и измерете околната температура и налягането на хладилния агент.
- (3) Ако посоченото налягане се задържи за около 1 ден и не се понижи, тръбите са преминали пробата и няма изтичане.
 - Ако околната температура се промени с 1°C, налягането ще се промени с около 0,01 МПа (0,1 kgf/cm²G). Направете необходимите корекции.
- (4) Ако налягането се понижава на стъпки (2) или (3), налице е изтичане на газ. Потърсете източника на изтичане на газ.

4.5. Метод на отваряне на спирателния кран

Методът на отваряне на спирателния кран се различава в зависимост от модела на външното тяло. Използвайте съответния метод за отваряне на спирателния кран.

- (1) От страна на тръбата с газ (Фиг. 4-6)
 - ① Свалете капачката, дръпнете ръчката към себе си и завъртете с 1/4 оборот по посока, обратна на часовниковата стрелка, за да отворите.
 - ② Уверете се, че спирателният кран е отворен напълно, натиснете ръчката и завийте капачката до първоначалното ѝ положение.
- (2) От страна на тръбата с течност (Фиг. 4-7)
 - ① Свалете капачката и завъртете стеблото на крана в посока, обратна на часовниковата стрелка докато стигне с помощта на 4 mm шестограмен ключ. Спрете да въртите, когато достигнете стопера. (∅9,52: приблизително 10 оборота)
 - ② Уверете се, че спирателният кран е отворен напълно, натиснете ръчката и завийте капачката до първоначалното ѝ положение.

Тръбите с хладилен агент са обвити със защитна цел.

- Тръбите могат да бъдат обвити с диаметър от ∅90 преди или след съединяване на тръбите. Срежете отвора в капака за тръби, като следвате канала и обвийте тръбите.

Хлабина на входа на тръбата

- Използвайте кит или уплътнител, за да запечатате входа на тръбата около тръбите, така че да не остане хлабина. (Ако хлабините не бъдат затворени, може да се излъчва шум или в тялото ще влязат вода и прах, което може да доведе до повреда.)

Предпазни мерки при употреба на зарядния кран (Фиг. 4-8)

Не затягайте прекалено сервизния порт, когато го монтирате, тъй като същевременно на крана може да си деформира и да се разхлаби, при което ще причини изтичане на газ.

След позициониране на секция Ⓑ в желаната посока, завъртете само секция Ⓐ и я затегнете.

Да не се затягат допълнително секции Ⓐ и Ⓑ заедно след затягане на секция Ⓐ.

⚠ Предупреждение:

Когато монтирате тялото, свържете стабилно тръбите за хладилен агент, преди да пуснете компресора.

4.6. Добавяне на хладилен агент

- Не е необходимо допълнително зареждане, ако дължината на тръбите не надхвърля 30 m.
- Ако дължината на тръбите надхвърля 30 m, заредете тялото с допълнително количество хладилен агент R410A в съответствие с допустимата дължина на тръбите в таблицата по-долу.
 - * Когато тялото не работи, зареждайте го с допълнителен хладилен агент през спирателния кран за течност, след като удълженията на тръбите и вътрешното тяло са били обработени с вакуум. Когато тялото работи, добавяйте хладилен агент към контролния кран за газ с помощта на безопасно зарядно устройство. Не добавяйте течен хладилен агент директно към контролния кран.

- * След зареждане на тялото с хладилен агент отбележете добавеното количество в сервизната табелка (прикрепена към тялото). За повече информация вижте „1.5. Използване на външно тяло с хладилен агент R410A“.
- Бъдете внимателни, когато монтирате няколко тела. Свързването с неправилно вътрешно тяло може да доведе до необичайно високо налягане и да има сериозно отражение върху ефективността на работата.

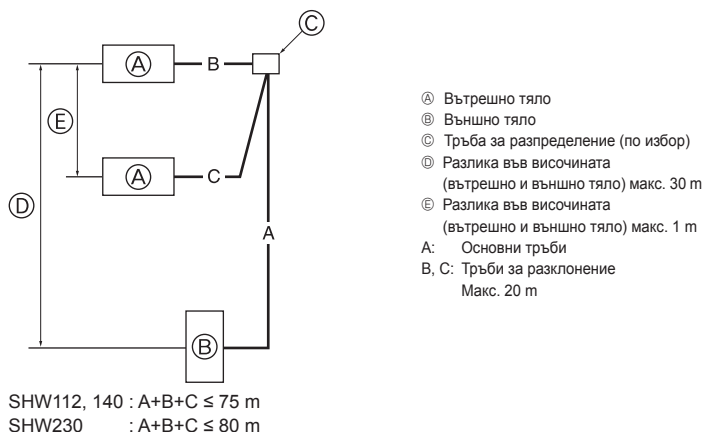
Модел	Допустима дължина на тръбата	Допустима вертикална разлика	Количество на първоначалното заредения хладилен агент	Допълнително количество хладилен агент за зареждане			
				31 - 40 m	41 - 50 m	51 - 60 m	61 - 75 m
SHW80, 112, 140	2 m – 75 m	Макс. 30 m	5,5 kg	0,6 kg	1,2 kg	1,8 kg	2,4 kg

Модел	Допустима дължина на тръбата	Допустима вертикална разлика	Количество на първоначалното заредения хладилен агент	Начин на работа	Размер на тръбите за течност	Допълнително количество хладилен агент за зареждане						
						21 - 30 m	31 - 40 m	41 - 50 m	51 - 60 m	61 - 70 m	71 - 80 m	
SHW230	2 m – 80 m ^{*1}	Макс. 30 m	7,1 kg	ATA / AHU	∅ 12,7	–	1,4 kg	2,8 kg	4,2 kg	5,6 kg	7,0 kg	
						∅ 9,52	–	0,8 kg	1,7 kg	2,6 kg	3,5 kg	
						∅ 12,7	1,4 kg	2,8 kg	4,2 kg	5,6 kg	7,0 kg	8,4 kg
						∅ 9,52	–	0,8 kg	1,7 kg	2,6 kg	3,5 kg	4,4 kg

*1. Включете контролната платка SW8-2 (задайте ON), когато дължината на тръбата е 10 m или по-малко (SHW230YKA2R2 или следваща версия).

4. Монтиране на тръбите за хладилен агент

<Ограничения при монтиране на тръбите за хладилен агент>



Фиг. 4-9

4.7. За двойна/тройна/четворна комбинация (Фиг. 4-9) (само за климатици)

• Когато това тяло се използва като СВОБОДНО, КОМБИНИРАНО, МУЛТИ тяло, монтирайте тръбите за хладилен агент с ограниченията, посочени на чертежа отляво. Освен това, ако ограниченията ще бъдат превишавани или ще има комбинации от вътрешни и външни тела, прегледайте инструкциите за монтиране за вътрешното тяло за подробности.

Външно тяло	Обща допустима дължина на тръбите A+B+C	Дължина на тръбите без зареждане A+B+C
SHW112, 140	75 m или по-малки	30 m или по-малки
SHW230	80 m или по-малки	30 m или по-малки

Външно тяло	B-C	Бр. огъвания
SHW112, 140, 230	8 m или по-малки	В рамките на 15

5. Отводнителни тръби

Свързване на отводнителните тръби на външното тяло

Телата от серията PUNZ-SHW не могат да се свързват с отводнителна тръба поради спецификацията за студени области.

6. Водопроводни тръби (само за термопомпи въздух-вода)

Минимално количество вода

Във водната верига е необходимо следното количество вода.

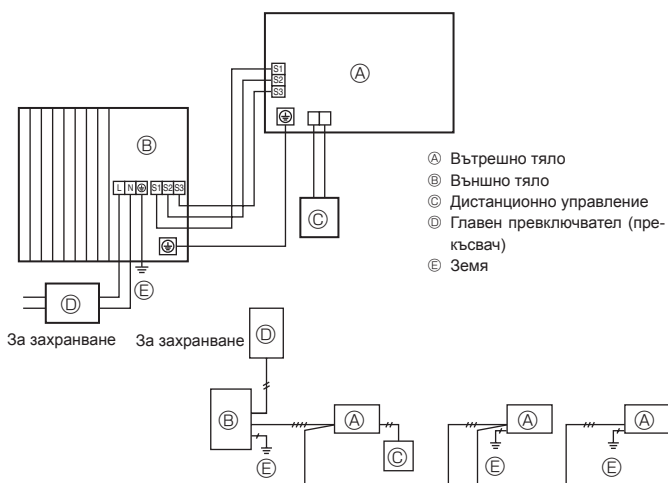
Модел	Минимално количество вода (l)
SHW80	34
SHW112	48
SHW140	60
SHW230	99

Уверете се, че сте взели мерки за защита срещу замръзване, като например добавянето на антифриз при работа на климатика в режим охлаждане при ниска температура на околната среда (под 0°C).

7. Електрически работи

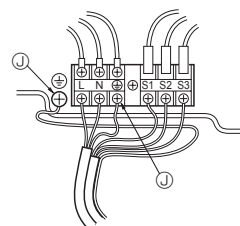
7.1. Външен модул (Фиг. 7-1, Фиг. 7-2)

- Отстранете сервисния панел.
- Опроводете кабелите, като направите справка с Фиг. 7-1 и Фиг. 7-2.

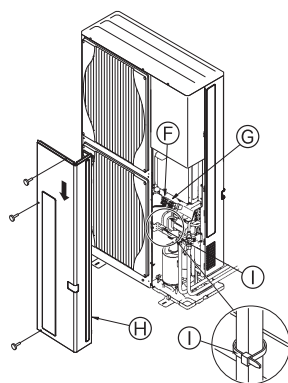
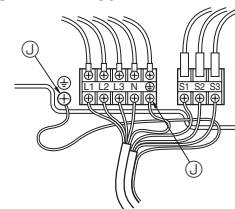


Фиг. 7-1

■ SHW80, 112V



■ SHW112 - 230Y



Фиг. 7-2

- Ⓕ Клеморед
- Ⓖ Клеморед за свързване на вътрешно/външно тяло (S1, S2, S3)
- Ⓗ Сервисен панел
- Ⓘ Скоба
- Ⓝ Заземяваща клема
- * Закрепете кабелите така, че да нямат контакт с центъра на сервисния панел или газовия кран.

Забележка:

Ако предпазното платно за електрическата кутия е свалено по време на обслужване, не забравяйте да го върнете на мястото му.

⚠ Внимание:

Непременно монтирайте N-линия. Липсата на N-линия може да доведе до повреда на тялото.

Забележка: Само за термопомпи въздух-вода
 Когато няколко вътрешни тела (хидро кутии) са свързани към външно-то тяло, свържете печатната платка на едно от вътрешните тела и на външното тяло (S1, S2, S3).
 Невъзможно е да се свържат печатните платки на няколко вътрешни тела към външното тяло.

7. Електрически работи

7.2. Електрическо окабеляване на място

Модел на външното тяло	SHW80V	SHW112V	SHW112, 140Y	SHW230Y
Електрическо захранване на външното тяло	~N (едно), 50 Hz, 230 V	~N (едно), 50 Hz, 230 V	3N~ (3 ph 4-кабелно), 50 Hz, 400 V	3N~ (3 ph 4-кабелно), 50 Hz, 400 V
Входен капацитет, външно тяло - главен прекъсвачел *1 (Прекъсвач)	32 A	40 A	16 A	25 A
Проводници бр. x размер (mm ²)	Електрическо захранване на външното тяло	3 x мин. 4	3 x мин. 6	5 x мин. 1,5
	Вътрешно тяло-Външно тяло *2	3 x 1,5 (полюсни)	3 x 1,5 (полюсни)	3 x 1,5 (полюсни)
	Вътрешно тяло-Външно тяло, заземяване *2	1 x мин. 1,5	1 x мин. 1,5	1 x мин. 1,5
	Дистанционно управление-Вътрешно тяло *3	2 x 0,3 (неполюсни)	2 x 0,3 (неполюсни)	2 x 0,3 (неполюсни)
Номинални спецификации на веригата	Външно тяло L-N (едно) *4	230 VAC	230 VAC	230 VAC
	Външно тяло L1-N, L2-N, L3-N (3-фазно) *4	230 VAC	230 VAC	230 VAC
	Вътрешно тяло-Външно тяло S1-S2 *4	24 VDC	24 VDC	24 VDC
	Вътрешно тяло-Външно тяло S2-S3 *4	12 VDC	12 VDC	12 VDC

*1. Необходим е прекъсвач с най-малко 3,0 mm разстояние между контактите във всеки полюс. Използвайте прекъсвач за утечка към земя (NV). Уверете се, че прекъсвачът за ток на утечка е съвместим с по-високи хармоници. Винаги използвайте прекъсвач за ток на утечка, който е съвместим с по-високи хармоници, тъй като това устройство е оборудвано с инвертор. Използването на неподходящ прекъсвач може да причини неправилна работа на инвертора.

*2. (SHW80 – 140)

Макс. 45 m

Ако се използват 2,5 mm², макс. 50 m

Ако се използват 2,5 mm² и S3 е отделено, макс. 80 m

(SHW230)

Макс. 80 m Общата макс. стойност, включително цялото свързване на вътрешно/външно тяло, е 80 m.

• Използвайте един кабел за S1 и S2 и друг за S3, както е показано на картинката.

*3. 10-метровия кабел е закрепен в акесоара за дистанционно управление.

*4. Стойностите HE винаги са спрямо земя.

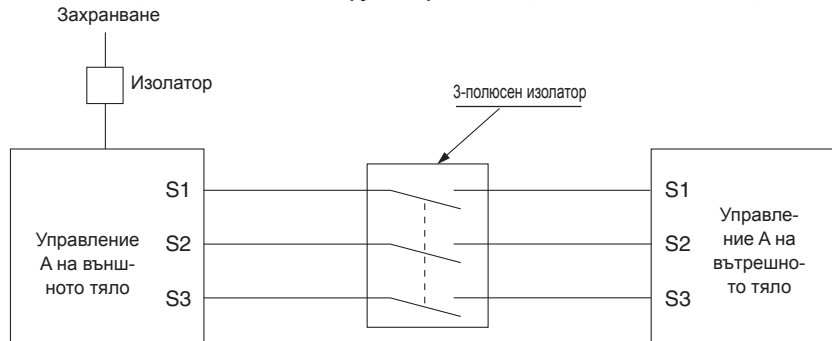
Клемата S3 е с 24 VDC спрямо клемата S2. Между клемите S3 и S1, тези клемите HE са електрически изолирани от преобразувателя или друго устройство.



Забележки: 1. Оразмеряването на проводниците трябва да отговаря на приложимите местни и национални изисквания.

2. Захранващите кабели и кабелите за свързване на вътрешно/външно тяло не трябва да са по-слаби от гъвкави кабели с обвивка от полипропилен. (Конструкция 60245 IEC 57)

3. Използвайте заземяващ кабел, който е по-дълъг от другите проводници, така че да не се откачи, когато бъде приложен опън.



⚠ Предупреждение:

- При окабеляване с управление А на клемата S3 има потенциал за високо напрежение поради конструкцията на електрическата верига, която няма електрическа изолация между силовата линия и линията за комуникационен сигнал. Затова, моля, изключете главното захранване по време на обслужване. Не докосвайте клемите S1, S2, S3, когато захранването е включено. Ако трябва да се използва изолатор между вътрешното и външното тяло, използвайте 3-полюсен тип.
- При условия под -20°C са необходими поне 12 часа работа в режим на готовност, за да се затоплят електрическите части.

Никога не снаждайте захранващия кабел или свързващия кабел за вътрешното/външното тяло, в противен случай може да се появи пушек, да възникне пожар или неизправност в комуникацията.

КАБЕЛ ЗА СВЪРЗВАНЕ НА ВЪТРЕШНО И ВЪНШНО ТЯЛО (SHW230)

Напречно сечение на кабела	Размер на проводника (mm ²)	Брой проводници	Поляритет	L (m)*6
Кръгло	2,5	3	Надясно: S1-S2-S3 * Обърнете внимание на ивицата от жълто и зелено	(30) *2
Плоско	2,5	3	Неприложимо (Защото централният проводник няма окончателно покритие)	Неприложимо *5
Плоско	1,5	4	Отляво надясно: S1-Отворен-S2-S3	(18) *3
Кръгло	2,5	4	Надясно: S1-S2-S3-Отворен * Свържете S1 и S3 към противоположния ъгъл	(30) *4

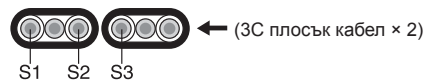
*1 : Захранващите кабели на уредите не трябва да са по-леки от дизайн 60245 IEC или 227 IEC.

*2 : В случай, че е наличен кабел с ивица от жълто и зелено.

*3 : В случай на обичайна полярна връзка (S1-S2-S3), размерът на проводника е 1,5 mm².

*4 : В случай на обичайна полярна връзка (S1-S2-S3).

*5 : Ако плоски кабели са свързани както на тази картинка, те могат да бъдат използвани до 30 m.



*6 : Споменатата дължина на кабела е просто референтна стойност. Тя може да бъде различна в зависимост от състоянието на инсталацията, влажността, материалите и др.

Непременно свържете кабелите за свързване на вътрешно и външно тяло директно към телата (без междинни връзки). Междинните връзки могат да доведат до комуникационна грешка, ако в кабелите влезе вода, която да причини недостатъчна изолация към земята или лош електрически контакт в точката на междинната връзка.

8. Пробно пускане (само за климатици)

8.1. Преди пробно пускане в действие

- ▶ След като монтажните работи са завършени, проверете дали няма изтичане на хладилен агент, хлабавост в захранващото или контролното окабеляване, неправилен поларитет или изключване на една фаза в захранването.
- ▶ Използвайте 500-волтов мегаомметър, за да проверите дали съпротивлението между захранващите клеми и земята е най-малко 1 MΩ.
- ▶ Не извършвайте тази проба на клемите на контролното окабеляване (верига на ниско напрежение).

⚠ Предупреждение:

Не използвайте външното тяло, ако изолационното съпротивление е по-малко от 1 MΩ.

Изолационно съпротивление

След монтиране или след спиране на източника на захранване на тялото за продължителен период, изолационното съпротивление ще спадне под 1 MΩ поради натрупването на хладилен агент в компресора. Това не е неизправност. Изпълнете следните процедури.

1. Отстранете проводниците от компресора и измерете изолационното съпротивление на компресора.
2. Ако изолационното съпротивление е под 1 MΩ, компресорът може да е дефектен или натрупването на хладилен агент в компресора да води до спад на съпротивлението.
3. След свързване на проводниците към компресора той ще започва да загрява след подаване на захранване. След подаване на захранване за посочените по-долу периоди измерете изолационното съпротивление отново.

- Изолационното съпротивление спада поради натрупване на хладилен агент в компресора. Съпротивлението ще се покачи над 1 MΩ, след като компресорът е загрял в продължение на 4 часа. (Времето, необходимо за подгряване на компресора, варира в зависимост от атмосферните условия и натрупването на хладилен агент.)
- За да работи с натрупан в него хладилен агент, компресорът трябва да се подгрее най-малко 12 часа, за да се предотврати повреда.
- 4. Ако изолационното съпротивление се покачи над 1 MΩ, компресорът не е повреден.

⚠ Внимание:

- **Компресорът няма да работи, освен ако свързването на фазното захранване е правилно.**
- **Включете захранването най-малко 12 часа, преди да започнете експлоатацията.**
- Стартирането на експлоатацията веднага след включване на главния захранващ превключвател може да доведе до сериозно повреждане на вътрешните части. Дръжте захранващия превключвател включен по време на експлоатационния сезон.
- ▶ **Следните компоненти също трябва да бъдат проверени.**
- Външното тяло не е повредено. LED1 и LED2 на контролната платка на външното тяло примигват, когато външното тяло е повредено.
- Спирателните кранове за газ и течност са напълно отворени.
- Повърхността на панела на Dip превключвателите в контролната платка на външното тяло е покрита от предпазно платно. Свалете предпазното платно, за да работите лесно с Dip превключвателите.

8.2. Пробно пускане в действие

8.2.1. Използване на SW4 във външното тяло

SW4-1	ON	Охлаждане
SW4-2	OFF	
SW4-1	ON	Отопление
SW4-2	ON	

- * След като извършите пробното пускане, задайте SW4-1 на OFF.
- След като бъде подадено захранването, от вътрешността на външното тяло може да се чуе леко щракване. Електронният разширителен вентил се отваря и затваря. Тялото не е повредено.

- Няколко секунди след като стартира компресорът, от вътрешността на външното тяло може да се чуе прозвъняване. Шумът идва от контролния кран и е породен от малката разлика в налягането в тръбите. Тялото не е повредено.

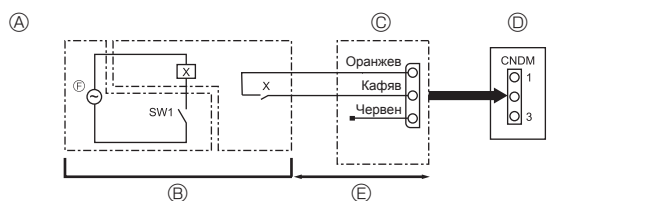
Работният режим на пробното пускане не може да бъде променен от Dip превключвателя SW4-2 по време на пробното пускане. (За да го направите по време на пробното пускане, спрете самото пробно пускане от Dip превключвателя SW4-1. След като промените работния режим на пробното пускане, възобновете го чрез превключвателя SW4-1.)

8.2.2. Използване на дистанционното управление

Вижте ръководството за монтаж на вътрешното тяло.

Забележка: Понякога парата от размразяването може да изглежда като дим, излизащ от външното тяло.

9. Специални функции



Фиг. 9-1

- A Пример за схема на ел. верига (режим на ниско ниво на шум)
 B Подредба на място
 C Външен входен адаптер (PAC-SC36NA-E)
 X: Реле
 D Контролна платка на външното тяло
 E Макс. 10 m
 F Захранване за релето

9.1. Режим на ниско ниво на шум (модификация на място) (Фиг. 9-1)

Изпълнението на следната модификация може да понижи нивото на работния шум на външното тяло с около 3 – 4 dB.

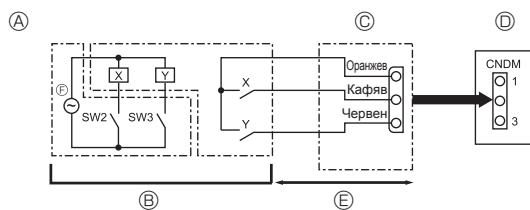
Режимът на ниско ниво на шума ще се активира, когато наличен в търговската мрежа таймер или контакт на ON/OFF превключвател бъде добавен към конектора CNDM (по избор) на контролната платка на външното тяло.

- Производителността варира в зависимост от външната температура, условия и т.н.

- 1 Завършете веригата, както е показано, при използване на външен входен адаптер (PAC-SC36NA-E). (Опция)
- 2 SW1 ON: Режим на ниско ниво на шума
SW1 OFF: Нормална работа

Забележка:

Когато Dip SW7-1 и SW9-1 на контролната платка на външното тяло е включен (ON), изключете Dip SW7-1, SW9-1 (задайте OFF). (Този режим не може да се използва заедно с функцията за заявяване).



Фиг. 9-2

- A Пример за схема на ел. верига (функция за заявяване)
 B Подредба на място
 C Външен входен адаптер (PAC-SC36NA-E)
 X, Y: Реле
 D Контролна платка на външното тяло
 E Макс. 10 m
 F Захранване за релето

9.2. Функция за заявяване на енергия (модификация на място) (Фиг. 9-2) (само за климатици)

Изпълнението на следната модификация може да намали потреблението на енергия с 0 – 100% от нормалното потребление.

Функцията за заявяване ще се активира, когато наличен в търговската мрежа таймер или контакт на ON/OFF превключвател бъде добавен към конектора CNDM (по избор) на контролната платка на външното тяло.

- 1 Завършете веригата, както е показано, при използване на външен входен адаптер (PAC-SC36NA-E). (Опция)
- 2 С настройването на SW7-1 на контролната платка на външното тяло потреблението на енергия (в сравнение с нормалното потребление) може да се ограничи, както е показано по-долу.

	SW7-1	SW2	SW3	Потребление на енергия
Функция за заявяване	ON	OFF	OFF	100%
		ON	OFF	75%
		ON	ON	50%
		OFF	ON	0% (Стой)

9.3. Събиране на хладилния агент (изпомпване)

При преместване или изхвърляне на вътрешното/външното тяло, изпомпвайте системата, следвайки процедурата по-долу, за да не се отделя хладилен агент в атмосферата.

- 1 Изключете захранването (прекъсвач).
- 2 Свържете вентила за ниско налягане на манометъра с зарядното устройство (откъм страната с ниско налягане) на външното тяло.
- 3 Спрете напълно спирателния кран за течност.
- 4 Захранване (прекъсвач).

*Когато захранването бъде включено, уверете се, че на дистанционното управление не се показва надписът „CENTRALLY CONTROLLED“ (ЦЕНТРАЛНО УПРАВЛЕНИЕ). Ако надписът „CENTRALLY CONTROLLED“ се показва, събирането на хладилния агент (изпомпването) не може да бъде завършено нормално.

*За стартиране на комуникацията между вътрешното и външното тяло са необходими около 3 минути след включване на захранването (прекъсвача). Стартирайте операцията по изпомпването 3 – 4 минути след включване на захранването (прекъсвача).

- 5 Изпълнете процедурата по събиране на хладилния агент (пробно пускане на охлаждането).

*Натиснете превключвателя за изпомпване SWP (тип бутон за натискане) на контролната платка на външното тяло. Компресорът и вентилаторите (вътрешно и външно тяло) започват работа (започва операцията по събиране на хладилния агент). (LED1 и LED2 на контролната платка на външното тяло са светнали.)

*Натиснете превключвателя за изпомпване SWP, само ако тялото е спряло. Дори ако тялото е спряло обаче и превключвателят за изпомпване SWP е бил натиснат по-малко от 3 минути след спиране на компресора, операцията по събиране на хладилния агент не може да бъде изпълнена. Изчакайте да изминат 3 минути след спирането на компресора и след това натиснете превключвателя за изпомпване SWP.

- 5 Затворете напълно спирателния кран откъм тръбата за газ на външното тяло, когато манометърът показва 0,05 до 0 MPa [Gauge] (прибл. 0,5 до 0 kgf/cm²) и бързо спрете външното тяло.

*Ако превключвателят за изпомпване SWP бъде натиснат отново, тялото спира.

*Тъй като тялото спира автоматично приблизително 3 минути след завършване на операцията по събиране на хладилния агент (LED1 изключен, LED2 свети), не забравяйте да затворите бързо спирателния кран откъм тръбата за газ. Ако обаче LED1 свети, LED2 е изключен и тялото е спряло, отворете напълно спирателния кран за течност, затворете напълно крана, след като изминат 3 минути или повече и повторете стъпка 5. (Отворете напълно спирателния кран за газ.)

*Ако операцията по събиране на хладилния агент е завършила нормално (LED1 изключен, LED2 свети), тялото ще остане спряно до изключване на захранването.

*Обърнете внимание, че когато удължителната тръба е много дълга и в нея има голямо количество хладилен агент, е възможно операцията по изпомпването да не може да се изпълни. В този случай използвайте оборудване за възстановяване на хладилния агент, за да съберете цялото количество хладилен агент в системата.

- 7 Изключете захранването (прекъсвача), свалете манометъра и след това откачете тръбите за хладилен агент.

⚠ Предупреждение:

Когато изпомпвате хладилния агент, спрете компресора, преди да откачите тръбите за хладилен агент.

- Ако тръбите за хладилен агент са откачени, докато компресорът работи и спирателният кран (сферичният вентил) е отворен, налягането в хладилния цикъл може да се повиши прекомерно, ако проникне въздух, което ще причини спукване на тръбите, физическо нараняване и др.

9.4 Задаване на температурата за функцията Flash injection на технологията ZUBADAN

С функцията Flash injection на технологията ZUBADAN се постига висока ефективност на отоплението при ниски външни температури.

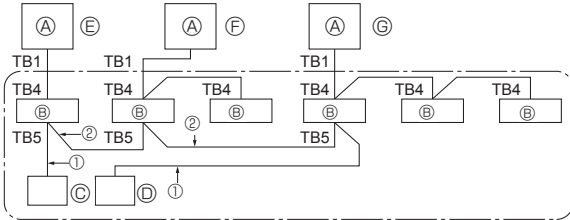
- SW9-3 и SW9-4 на контролната платка на външното тяло позволяват задаването на температурата, достъпна за функцията Flash injection на технологията ZUBADAN, както е показано в таблицата по-долу.

SW9-3	SW9-4	Външна температура
OFF	OFF	3°C или по-малки (Настройка по подразбиране)
OFF	ON	0°C или по-малки
ON	OFF	-3°C или по-малки
ON	ON	-6°C или по-малки

10. Управление на системата

10.1. Климатизи

- Ⓔ SW 1 – 3 до 6
- | | | | | | |
|-----|---|---|---|---|--|
| ON | | | | | |
| OFF | | | | | |
| | 3 | 4 | 5 | 6 | |
- Ⓕ SW 1 – 3 до 6
- | | | | | | |
|-----|---|---|---|---|--|
| ON | | | | | |
| OFF | | | | | |
| | 3 | 4 | 5 | 6 | |
- Ⓖ SW 1 – 3 до 6
- | | | | | | |
|-----|---|---|---|---|--|
| ON | | | | | |
| OFF | | | | | |
| | 3 | 4 | 5 | 6 | |
- Ⓐ Външно тяло
 Ⓑ Вътрешно тяло
 Ⓒ Главно дистанционно управление
 Ⓓ Подчинено дистанционно управление
 Ⓔ Стандартно 1:1 (адрес на хладилния агент = 00)
 Ⓕ Едновременно двойно (адрес на хладилния агент = 01)
 Ⓖ Едновременно тройно (адрес на хладилния агент = 02)



Фиг. 10-1

* Задайте адреса на хладилния агент с помощта на DIP превключвателя на външното тяло.

① Проводници от дистанционното управление

Този проводник е свързан с TB5 (клемната платка за дистанционно управление) на вътрешното тяло (неполюсно).

② Когато се използва различно групиране на охладителната система.

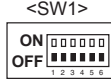
Посредством тънското дистанционно управление MA могат да се управляват до 16 охладителни системи като една група.

Забележка:

При използване на една охладителна система (двойна/тройна) не е необходимо окабеляване ②.

SW1

Таблица на функциите



	Функция	Работа в съответствие с настройката на превключвателя		
		ON	OFF	
Настройки на функциите на SW1	1	Задължително размразяване	Стартиране	Нормално
	2	Изчистване на историята на грешките	Изчистване	Нормално
	3	Задаване на адрес на охладителна система	Настройки за адреси на външното тяло от 0 до 15	
	4			
	5			
	6			

10.2. Термопомпа въздух-вода

Задайте адреса на хладилния агент с помощта на DIP превключвателя на външното тяло.

Функционална настройка SW1

Настройка SW1	Адрес на хладилния агент	Настройка SW1	Адрес на хладилния агент
ON OFF 3 4 5 6 7	00	ON OFF 3 4 5 6 7	03
ON OFF 3 4 5 6 7	01	ON OFF 3 4 5 6 7	04
ON OFF 3 4 5 6 7	02	ON OFF 3 4 5 6 7	05

Забележка:

a) Могат да се свържат до 6 тела.

b) Изберете един модел за всички тела.

c) За настройки на DIP превключвателя на вътрешното тяло вижте ръководството за монтаж на вътрешното тяло.

11. Спецификации

Ниво на звука (Измерено при номинална работна честота.)

			SHW80VHA	SHW112Y/VHA	SHW140YHA	SHW230YKA2
SPL	Отопление	dB(A)	51	52	52	59
	Охлаждане	dB(A)	50	51	51	58
PWL	Отопление	dB(A)	69	70	70	75

EC DECLARATION OF CONFORMITY
EG-KONFORMITÄTSERKLÄRUNG
DECLARATION DE CONFORMITÉ CE
EG-CONFORMITEITSVERKLARING
DECLARACIÓN DE CONFORMIDAD CE

DICHIARAZIONE DI CONFORMITÀ CE
ΔΗΛΩΣΗ ΠΙΣΤΟΤΗΤΑΣ ΕΚ
DECLARAÇÃO DE CONFORMIDADE CE
EU-OVERENSSTEMMELSESERKLÆRING

EG-DEKLARATION OM ÖVERENSSTÄMMELSE
EC UYGUNLUK BEYANI
ДЕКЛАРАЦИЯ СООТВЕТСТВИЯ НОРМАМ ЕС
CE-ERKLÆRING OM SAMSVAR

EY-VAATIMUSTENMUKAISUUSVAKUUTUS
ES PROHLÁŠENÍ O SHODĚ
DEKLARACJA ZGODNOŚCI WE
ЕС ДЕКЛАРАЦИЯ ЗА СЪОТВЕТСТВИЕ

MITSUBISHI ELECTRIC AIR CONDITIONING SYSTEMS EUROPE LTD.
NETTLEHILL ROAD, HOUSTOUN INDUSTRIAL ESTATE, LIVINGSTON, EH54 5EQ, SCOTLAND, UNITED KINGDOM

hereby declares under its sole responsibility that the air conditioners and heat pumps described below for use in residential, commercial and light-industrial environments:
erklärt hiermit auf seine alleinige Verantwortung, dass die Klimaanlage und Wärmepumpen für das häusliche, kommerzielle und leicht-industrielle Umfeld wie unten beschrieben:
déclare par la présente et sous sa propre responsabilité que les climatiseurs et les pompes à chaleur décrits ci-dessous, destinés à un usage dans des environnements résidentiels, commerciaux et d'industrie légère :
verklaart hierbij onder eigen verantwoordelijkheid dat de voor residentiële, commerciële en licht-industriële omgevingen bestemde airconditioners en warmtepompen zoals onderstaand beschreven:
por la presente declara bajo su única responsabilidad que los acondicionadores de aire y bombas de calor descritas a continuación para su uso en entornos residenciales, comerciales y de industria ligera:
conferma con la presente, sotto la sua esclusiva responsabilità, che i condizionatori d'aria e le pompe di calore descritti di seguito e destinati all'utilizzo in ambienti residenziali, commerciali e semi-industriali:
με το παρόν πιστοποιεί με αποκλειστική της ευθύνη ότι οι τα κλιματιστικά και οι αντλίες θέρμανσης που περιγράφονται παρακάτω για χρήση σε οικιακό, επαγγελματικό και ελαφρής βιομηχανίας περιβάλλοντα:
através da presente declara sob sua única responsabilidade que os aparelhos de ar condicionado e bombas de calor abaixo descritos para uso residencial, comercial e de indústria ligeira: erklærer hermed under eneansvar, at de herunder beskrevne airconditionanlæg og varmepumper til brug i privat boligbyggeri, erhvervsområder og inden for let industri: intyggar härmed att luftkonditioneringarna och värmepumparna som beskrivs nedan för användning i bostäder, kommersiella miljöer och lätta industriella miljöer: ev, ticaret ve hafif sanayi ortamlarında kullanılan amaçlı üretilen ve aşağıda açıklanan klima ve ısıtma pompalarıyla ilgili aşağıdaki hususları yalnızca kendi sorumluluğunda beyan eder: настоящим заявляет и берет на себя исключительную ответственность за то, что кондиционеры и тепловые насосы, описанные ниже и предназначенные для эксплуатации в жилых помещениях, торговых залах и на предприятиях легкой промышленности: erklærer et fullstendig ansvar for undernevnte klimaanlegg og varmepumper ved bruk i boliger, samt kommersielle og lettindustrielle miljøer: vakuuttaa täten yksinomaisella vastuullaan, että jäljempänä kuvatut asuinrakennuksiin, pienteollisuuskäyttöön ja kaupalliseen käyttöön tarkoitetut ilmastointilaitteet ja lämpöpumput: timto na vlastní odpovědnost prohlašuje, že níže popsané klimatizační jednotky a tepelná čerpadla pro použití v obytných prostředích, komerčních prostředích a prostředích lehkého průmyslu: niniejszym oświadczam na swoją wyłączną odpowiedzialność, że klimatyzatory i pompy ciepła opisane poniżej, są przeznaczone do zastosowań w środowisku mieszkalnym, handlowym i lekkim uprzemysłowionym: декларира на своя собствена отговорност, че климатичите и термopомпите, описани по-долу, за употреба в жилищни, търговски и леки промишлени условия:

**MITSUBISHI ELECTRIC, PUAH-SHW80VHA*, PUAH-SHW80VHA*-BS, PUAH-SHW112VHA*, PUAH-SHW112VHA*-BS
PUAH-SHW112YHA*, PUAH-SHW112YHA*-BS, PUAH-SHW140YHA*, PUAH-SHW140YHA*-BS
* : , , 1, 2, 3, . . . , 9**

Note: Its serial number is on the nameplate of the product.
Hinweis: Die Seriennummer befindet sich auf dem Kennschild des Produkts.
Remarque : Le numéro de série de l'appareil se trouve sur la plaque du produit.
Opmerking: het serienummer staat op het naamplaatje van het product.
Nota: El número de serie se encuentra en la placa que contiene el nombre del producto.
Nota: il numero di serie si trova sulla targhetta del prodotto.
Σημείωση: Ο σειριακός του αριθμός βρίσκεται στην πινακίδα ονόματος του προϊόντος.
Nota: o número de série encontra-se na placa que contém o nome do produto.
Bemærk: Seriennummeret står på produktets fabrikskilt.

Obs: Serienumret finns på produktens namnplåt.
Not: Seri numarasi ürünün isim plakasında yer alır.
Примечание: серийный номер указан на паспортной табличке изделия.
Merk: Serienummeret befinner seg på navneplaten til produktet.
Huomautus: Sarjanumero on merkitty laitteen arvokilpeen.
Poznámka: Příslušné sériové číslo se nachází na štítku produktu.
Uwaga: Numer seryjny znajduje się na tabliczce znamionowej produktu.
Забелешка: Серийният номер е на табелката на продукта.

Directives	Direktiv
Richtlijnen	Direktifler
Directives	Директивы
Richtlijnen	Direktiver
Directivas	Direktivit
Direttive	Směrnice
Οδηγίες	Dyrektywy
Directivas	Директиви
Direktiver	

2014/35/EU: Low Voltage Directive
2006/42/EC: Machinery Directive
2014/30/EU: Electromagnetic Compatibility Directive
2009/125/EC: Energy-related Products Directive
2011/65/EU: RoHS Directive

EG DECLARATION OF CONFORMITY
EG-KONFORMITÄTSEKHLÄRUNG
DECLARATION DE CONFORMITÉ CE
EG-CONFORMITEITSVERKLARING
DECLARACIÓN DE CONFORMIDAD CE

DICHIARAZIONE DI CONFORMITÀ CE
ΔΗΛΩΣΗ ΠΙΣΤΟΤΗΤΑΣ ΕΚ
DECLARAÇÃO DE CONFORMIDADE CE
EU-OVERENSSTEMMELSESEKHLÆRING

EG-DEKLARATION OM ÖVERENSSTÄMMELSE
EC UYGUNLUK BEYANI
ДЕКЛАРАЦИЯ СООТВЕТСТВИЯ НОРМАМ ЕС
CE-ERKLÆRING OM SAMSVAR

EY-VAATIMUSTENMUKAISUUSVAKUUTUS
ES PROHLÁŠENÍ O SHODĚ
DEKLARACJA ZGODNOŚCI WE
ЕС ДЕКЛАРАЦИЯ ЗА СЪОТВЕТСТВИЕ

mitsubishi electric corporation
TOKYO BUILDING, 2-7-3, MARUNOUCHI, CHIYODA-KU, TOKYO 100-8310, JAPAN

hereby declares under its sole responsibility that the air conditioners and heat pumps described below for use in residential, commercial and light-industrial environments:
erklärt hiermit auf seine alleinige Verantwortung, dass die Klimaanlage und Wärmepumpen für das häusliche, kommerzielle und leicht-industrielle Umfeld wie unten beschrieben:
déclare par la présente et sous sa propre responsabilité que les climatiseurs et les pompes à chaleur décrits ci-dessous, destinés à un usage dans des environnements résidentiels, commerciaux et d'industrie légère :
verklaart hierbij onder eigen verantwoordelijkheid dat de voor residentiële, commerciële en licht-industriële omgevingen bestemde airconditioners en warmtepompen zoals onderstaand beschreven:
por la presente declara bajo su única responsabilidad que los acondicionadores de aire y bombas de calor descritas a continuación para su uso en entornos residenciales, comerciales y de industria ligera:
conferma con la presente, sotto la sua esclusiva responsabilità, che i condizionatori d'aria e le pompe di calore descritti di seguito e destinati all'utilizzo in ambienti residenziali, commerciali e semi-industriali:
με το παρόν πιστοποιεί με αποκλειστική της ευθύνη ότι οι τα κλιματιστικά και οι αντλίες θέρμανσης που περιγράφονται παρακάτω για χρήση σε οικιακό, επαγγελματικό και ελαφριάς βιομηχανίας περιβάλλοντα:
através da presente declara sob sua única responsabilidade que os aparelhos de ar condicionado e bombas de calor abaixo descritos para uso residencial, comercial e de indústria ligeira:
erklærer hermed under eneansvar, at de herunder beskrevne airconditionanlæg og varmepumper til brug i privat boligbyggeri, erhvervsområder og inden for let industri:
intyggar härmed att luftkonditioneringarna och värmepumparna som beskrivs nedan för användning i bostäder, kommersiella miljöer och lätta industriella miljöer:
ev, ticaret ve hafif sanayi ortamlarında kullanım amaçlı üretilen ve aşağıda açıklanan klima ve ısıtma pompalarıyla ilgili aşağıdaki hususları yalnızca kendi sorumluluğunda beyan eder:
настоящим заявляю и беру на себя исключительную ответственность за то, что кондиционеры и тепловые насосы, описанные ниже и предназначенные для эксплуатации в жилых помещениях, торговых залах и на предприятиях легкой промышленности:
erklærer et fullstendig ansvar for undernevnte klimaanlegg og varmepumper ved bruk i boliger, samt kommersielle og lettindustrielle miljøer:
vakuuttaa täten yksinomaisella vastuullaan, että jäljempänä kuvutat asuinrakennuksiin, pientaloisuuskäyttöön ja kaupalliseen käyttöön tarkoitettuihin ilmastointilaitteisiin ja lämpöpumpuihin
timto na vlastní odpovědnost prohlašuje, že níže popsané klimatizační jednotky a tepelná čerpadla pro použití v obytných prostředích, komerčních prostředích a prostředích lehkého průmyslu:
niniejszym oświadczam na swoją wyłączną odpowiedzialność, że klimatyzatory i pompy ciepła opisane poniżej, są przeznaczone do zastosowań w środowisku mieszkalnym, handlowym i lekko przemysłowym:
декларира на своя собствена отговорност, че климатичите и термомоппите, описани по-долу, за употреба в жилищни, търговски и леки промишлени условия:

MITSUBISHI ELECTRIC, PUHZ-SHW230YKA*,
***: , , 1, 2, 3, . . . , 9**

Note: Its serial number is on the nameplate of the product.
Hinweis: Die Seriennummer befindet sich auf dem Kennschild des Produkts.
Remarque : Le numéro de série de l'appareil se trouve sur la plaque du produit.
Opmerking: het serienummer staat op het naamplaatje van het product.
Nota: El número de serie se encuentra en la placa que contiene el nombre del producto.
Nota: il numero di serie si trova sulla targhetta del prodotto.
Σημείωση: Ο σειριακός του αριθμός βρίσκεται στην πινακίδα ονόματος του προϊόντος.
Nota: o número de série encontra-se na placa que contém o nome do produto.
Bemærk: Serienummeret står på produktets fabriksskilt.

Obs: Serienumret finns på produktens namnplåt.
Not: Seri numarasi ürünün isim plakasında yer alır.
Примечание: серийный номер указан на паспортное табличке изделия.
Merk: Serienummeret befinner seg på navneplaten til produktet.
Huomautus: Sarjanumero on merkitty laitteen arvokilpeen.
Poznámka: Příslušné sériové číslo se nachází na štítku produktu.
Uwaga: Numer seryjny znajduje się na tabliczce znamionowej produktu.
Забелешка: Серийният номер е на табелката на продукта.

Directives	Direktiv
Richtlijnen	Direktifler
Directives	Директивы
Richtlijnen	Direktiver
Directivas	Direktiivit
Direttive	Směrnice
Οδηγίες	Dyrektywy
Directivas	Директиви
Direktiver	

2014/35/EU: Low Voltage Directive
2006/42/EC: Machinery Directive
2014/30/EU: Electromagnetic Compatibility Directive
2014/68/EU: Pressure Equipment Directive
2009/125/EC: Energy-related Products Directive
2011/65/EU: RoHS Directive

<ENGLISH>

English is original. The other languages versions are translation of the original.

⚠ CAUTION

- Refrigerant leakage may cause suffocation. Provide ventilation in accordance with EN378-1.
- Be sure to wrap insulation around the piping. Direct contact with the bare piping may result in burns or frostbite.
- Never put batteries in your mouth for any reason to avoid accidental ingestion.
- Battery ingestion may cause choking and/or poisoning.
- Install the unit on a rigid structure to prevent excessive operation sound or vibration.
- The A-weighted sound pressure level is below 70dB.
- This appliance is intended to be used by expert or trained users in shops, in light industry and on farms, or for commercial use by lay persons.

<DEUTSCH>

Das Original ist in Englisch. Die anderen Sprachversionen sind vom Original übersetzt.

⚠ VORSICHT

- Wenn Kältemittel austritt, kann dies zu Ersticken führen. Sorgen Sie in Übereinstimmung mit EN378-1 für Durchlüftung.
- Die Leitungen müssen isoliert werden. Direkter Kontakt mit nicht isolierten Leitungen kann zu Verbrennungen oder Erfrierungen führen.
- Nehmen Sie niemals Batterien in den Mund, um ein versehentliches Verschlucken zu vermeiden.
- Durch das Verschlucken von Batterien kann es zu Erstickungen und/oder Vergiftungen kommen.
- Installieren Sie das Gerät auf einem stabilen Untergrund, um übermäßige Betriebsgeräusche oder -schwingungen zu vermeiden.
- Der A-gewichtete Schalldruckpegel ist niedriger als 70dB.
- Dieses Gerät ist vorgesehen für die Nutzung durch Fachleute oder geschultes Personal in Werkstätten, in der Leichtindustrie und in landwirtschaftlichen Betrieben oder für die kommerzielle Nutzung durch Laien.

<FRANÇAIS>

L'anglais est l'original. Les versions fournies dans d'autres langues sont des traductions de l'original.

⚠ PRECAUTION

- Une fuite de réfrigérant peut entraîner une asphyxie. Fournissez une ventilation adéquate en accord avec la norme EN378-1.
- Assurez-vous que la tuyauterie est enveloppée d'isolant. Un contact direct avec la tuyauterie nue peut entraîner des brûlures ou des engelures.
- Ne mettez jamais des piles dans la bouche pour quelque raison que ce soit pour éviter de les avaler par accident.
- Le fait d'ingérer des piles peut entraîner un étouffement et/ou un empoisonnement.
- Installez l'appareil sur une structure rigide pour prévenir un bruit de fonctionnement et une vibration excessifs.
- Le niveau de pression acoustique pondéré est en dessous de 70 dB.
- Cet appareil est conçu pour un utilisateur expert ou les utilisateurs formés en magasin, dans l'industrie légère et dans l'agriculture ou dans le commerce par le profane.

<NEDERLANDS>

Het Engels is het origineel. De andere taalversies zijn vertalingen van het origineel.

⚠ VOORZICHTIG

- Het lekken van koelvloeistof kan verstikking veroorzaken. Zorg voor ventilatie in overeenstemming met EN378-1.
- isoleer de leidingen met isolatiemateriaal. Direct contact met de onbedekte leidingen kan leiden tot brandwonden of bevriezing.
- Stop nooit batterijen in uw mond om inslikking te voorkomen.
- Het inslikken van batterijen kan verstikking of vergiftiging veroorzaken.
- Installeer het apparaat op een stabiele structuur om overmatig lawaai of trillingen te voorkomen.
- Het niveau van de geluidsdruk ligt onder 70 dB(A).
- Dit apparaat is bedoeld voor gebruik door ervaren of opgeleide gebruikers in werkplaatsen, in de lichte industrie en op boerderijen, of voor commercieel gebruik door leken.

<ESPAÑOL>

El idioma original del documento es el inglés. Las versiones en los demás idiomas son traducciones del original.

⚠ CUIDADO

- Las pérdidas de refrigerante pueden causar asfixia. Se debe proporcionar la ventilación determinada en EN378-1.
- Asegúrese de colocar el aislante alrededor de las tuberías. El contacto directo con la tubería puede ocasionar quemaduras o congelación.
- Para evitar una ingestión accidental, no coloque las pilas en su boca bajo ningún concepto.
- La ingestión de las pilas puede causar asfixia y/o envenenamiento.
- Coloque la unidad en una estructura rígida para evitar que se produzcan sonidos o vibraciones excesivos debidos a su funcionamiento.
- El nivel de presión acústica ponderado A es inferior a 70 dB.
- Este aparato está destinado a su uso por parte de usuarios expertos o capacitados en talleres, industrias ligeras y granjas, o a su uso comercial por parte de personas no expertas.

<ITALIANO>

Il testo originale è redatto in lingua Inglese. Le altre versioni linguistiche rappresentano traduzioni dell'originale.

⚠ ATTENZIONE

- Le perdite di refrigerante possono causare asfissia. Prevedere una ventilazione adeguata in conformità con la norma EN378-1.
- Accertarsi di applicare materiale isolante intorno alle tubature. Il contatto diretto con le tubature non schermate può provocare ustioni o congelamento.
- Non introdurre in nessun caso le batterie in bocca onde evitare ingestioni accidentali.
- L'ingestione delle batterie può provocare soffocamento e/o avvelenamento.
- Installare l'unità su una struttura rigida in modo da evitare rumore o vibrazioni eccessivi durante il funzionamento.
- Il livello di pressione del suono ponderato A è inferiore a 70dB.
- Questa apparecchiatura è destinata all'utilizzo da parte di utenti esperti o addestrati in negozi, industria leggera o fattorie oppure a un uso commerciale da parte di persone non esperte.

<ΕΛΛΗΝΙΚΑ>

Η γλώσσα του πρωτοτύπου είναι η αγγλική. Οι εκδόσεις άλλων γλωσσών είναι μεταφράσεις του πρωτοτύπου.

⚠ ΠΡΟΣΟΧΗ

- Η διαρροή του ψυκτικού ενδέχεται να προκαλέσει ασφυξία. Φροντίστε για τον εξερισμό σύμφωνα με το πρότυπο EN378-1.
- Φροντίστε να τυλίξετε με μονωτικό υλικό τη σωλήνωση. Η απευθείας επαφή με τη γυμνή σωλήνωση ενδέχεται να προκαλέσει εγκαύματα ή κρυοπαγήματα.
- Μη βάσετε ποτέ τις μπαταρίες στο στόμα σας για κανένα λόγο ώστε να αποφύγετε την κατά λάθος κατάποσή τους.
- Η κατάποση μπαταριών μπορεί να προκαλέσει πνιγμό ή/και δηλητηρίαση.
- Εγκαταστήστε τη μονάδα σε σταθερή κατασκευή ώστε να αποφύγετε τον έντονο ήχο λειτουργίας ή τους κραδασμούς.
- Η Α-σταθμισμένη στάθμη ηχητικής πίεσης είναι κάτω των 70dB.
- Η συσκευή αυτή προορίζεται για χρήση από έμπειρους ή εκπαιδευμένους χρήστες σε καταστήματα, στην ελαφριά βιομηχανία και σε αγροκτήματα, ή για εμπορική χρήση από άτομα τα οποία δεν είναι ειδήμονες.

<PORTUGUÊS>

O idioma original é o inglês. As versões em outros idiomas são traduções do idioma original.

⚠ CUIDADO

- A fuga de refrigerante pode causar asfixia. Garanta a ventilação em conformidade com a norma EN378-1.
- Certifique-se de que envolve as tubagens com material de isolamento. O contacto directo com tubagens não isoladas pode resultar em queimaduras ou ulcerações provocadas pelo frio.
- Nunca coloque pilhas na boca, por nenhum motivo, para evitar a ingestão accidental.
- A ingestão de uma pilha pode causar obstrução das vias respiratórias e/ou envenenamento.
- Instale a unidade numa estrutura robusta, de forma a evitar ruídos ou vibrações excessivos durante o funcionamento.
- O nível de pressão sonora ponderado A é inferior a 70 dB.
- Este equipamento destina-se a ser utilizado por especialistas ou utilizadores com formação em lojas, na indústria ligeira e em quintas, ou para utilização comercial por leigos.

<DANSK>

Engels er originalen. De andre sprogversioner er oversættelser af originalen.

⚠ FORSIGTIG

- Lækage af kølemiddel kan forårsage kvælning. Sørg for udluftning i overensstemmelse med EN378-1.
- Sørg for at pakke rørene ind i isolering. Direkte kontakt med ubeklædte rør kan forårsage forbrændinger eller forfrysninger.
- Batterier må under ingen omstændigheder tages i munden for at forhindre utilsigtet indtagelse.
- Indtagelse af batterier kan forårsage kvælning og/eller forgiftning.
- Installer enheden på en fast struktur for at forhindre for høje driftslyde eller vibrationer.
- Det A-vægtede lydtrykniveau er under 70dB.
- Dette apparat er beregnet til at blive brugt af eksperter eller udlærte brugere i butikker, inden for let industri og på gårde eller til kommerciel anvendelse af lægmænd.

<SVENSKA>

Engelska är originalspråket. De övriga språkversionerna är översättningar av originalet.

⚠ FÖRSIKTIGHET

- Köldmedelsläckage kan leda till kvävning. Tillhandahåll ventilation i enlighet med EN378-1.
- Kom ihåg att linda isolering runt rören. Direktkontakt med bara rör kan leda till brännskador eller köldskador.
- Stoppa aldrig batterier i munnen, de kan sväljas av misstag.
- Om ett batteri sväljs kan det leda till kvävning och/eller förgiftning.
- Montera enheten på ett stadigt underlag för att förhindra höga driftslyd och vibrationer.
- Den A-vägda ljudtrycksnivån är under 70dB.
- Denna apparat är ämnad för användning av experter eller utbildade användare i affärer, inom lätt industri och på lantbruk, eller för kommersiell användning av lekman.

<TÜRKÇE>

Aslı İngilizce'dir. Diğer dillerdeki sürümleri aslının çevirisidir.

⚠ DİKKAT

- Soğutucu kaçağı boğulmaya neden olabilir. EN378-1 uyarınca uygun havalandırma sağlayın.
- Borular etrafına yalıtım yapıldığından emin olun. Borulara doğrudan çıplak elle dokunulması yanıklara veya soğuk ısırıklarına neden olabilir.
- Kazara yutmamak için, pilleri kesinlikle hiçbir amaçla ağızınıza tutmayın.
- Pillerin yutulması boğulmaya ve/veya zehirlenmeye yol açabilir.
- Aşırı çalışma seslerini veya titreşimi önlemek için, üniteyi sağlam bir yapı üzerine monte edin.
- A ağırlıklı ses gücü seviyesi 70dB'nin altındadır.
- Bu cihaz atölyelerde, hafif endüstriyel tesislerde ve çiftliklerde uzman veya eğitimli kullanıcılar tarafından kullanılmak üzere veya normal kullanıcılar tarafından ticari kullanım için tasarlanmıştır.

<РУССКИЙ>

Языком оригинала является английский. Версии на других языках являются переводом оригинала.

⚠ ОСТОРОЖНО

- Утечка хладагента может стать причиной удушья. Обеспечьте вентиляцию в соответствии с EN378-1.
- Обязательно оберните трубы изоляционной обмоткой. Непосредственный контакт с неизолированным трубопроводом может привести к ожогам или обморожению.
- Запрещается класть элементы питания в рот по каким бы то ни было причинам во избежание случайного проглатывания.
- Попадание элемента питания в пищеварительную систему может стать причиной удушья и/или отравления.
- Устанавливайте устройство на жесткую структуру во избежание чрезмерного шума или чрезмерной вибрации во время работы.
- Уровень звукового давления по шкале A составляет менее 70 дБ.
- Данное устройство предназначено для использования специалистами или обученным персоналом в магазинах, на предприятиях легкой промышленности и фермах или для коммерческого применения непрофессионалами.

<NORSK>

Originalspråket er engelsk. De andre språkversionene er oversettelseter av originalen.

⚠ FORSIGTIG

- Kjøllemiddel lekkasje kan forårsake kvælning. Sørg for ventilering i samsvar med EN378-1.
- Pass på at isoleringen pakkes godt rundt røret. Direkte kontakt med ukledte rør kan forårsake brannskader eller forfrysninger.
- Aldri plasser batteri i munnen, da dette kan medføre en risiko for at du svelger batteriet ved et uhell.
- Hvis du svelger et batteri, kan du risikere kvælning og/eller forgiftning.
- Installer enheten på en stabil struktur for å forhindre unødvendig mye driftsstøy eller vibrering.
- Det A-vektede lydtryknivået er under 70 dB.
- Dette apparatet er ment for bruk av eksperter eller faglært personell i butikker, lettindustri og på gårder, eller for kommersielt bruk av ikke-fagmenn.

<SUOMI>

Englanninkielinen asiakirja on alkuperäinen. Muunkieliset versiot ovat alkuperäisen käännöksiä.

⚠ Huomio

- Kylmäaineen vuoto voi aiheuttaa tukehtumisen. Järjestä tuuletus standardin EN378-1 mukaisesti.
- Putkisto pitää eristää. Suora kosketus paljaaseen putkeen voi aiheuttaa palovamman tai palleltumman.
- Älä koskaan laita paristoja suuhun mistään syystä, jotta vältät tahattoman nielemisen.
- Pariston nieleminen voi aiheuttaa tukehtumisen ja/tai myrkytyksen.
- Asenna yksikkö tukevaan rakenteeseen estääksesi liiallisen, toiminnasta aiheutuvan, äänen tai värinän.
- A-painotettu äänenpainatas on alle 70 dB.
- Tämä laite on tarkoitettu asiantuntijoiden tai koulutettujen käyttäjien käytettäväksi liikehuoneistoissa, kevyen teollisuuden tiloissa ja maataloissa tai maallikkojen kaupallisessa käytössä.

<ČEŠTINA>

Originál je v angličtině. Ostatní jazykové verze jsou překladem originálu.

⚠ POZOR

- Únik chladicího média může způsobit udušení. Zajistěte větrání v souladu s normou EN 378-1.
- Potrubí omejte izolací. Přímý kontakt s obnaženým potrubím může způsobit popálení nebo omrzliny.
- Nikdy si z žádného důvodu nevkládejte baterie do úst, aby nedošlo k jejich polknutí.
- Polknutí baterie může způsobit dušení anebo otrávu.
- Jednotku nainstalujte na pevnou konstrukci, aby nedocházelo ke vzniku nadměrného provozního hluku a vibrací.
- Hladina akustického tlaku je nižší než 70 dB.
- Toto zařízení je určeno pro prodejny, lehký průmysl a farmy, kde je musí obsluhovat odborníci a školení uživatelé, a pro komerční použití, kde je mohou obsluhovat laici.

<POLSKI>

Językiem oryginału jest język angielski. Inne wersje językowe stanowią tłumaczenie oryginału.

⚠ UWAGA

- Wyciek czynnika chłodniczego może spowodować uduszenie. Należy zapewnić wentylację zgodnie z normą EN378-1.
- Należy pamiętać, aby owinać izolację wokół przewodów rurowych. Bezpośredni kontakt z niezabezpieczonymi przewodami rurowymi może doprowadzić do poparzeń lub odmrożeń.
- Nie wolno wkładać baterii do ust z jakiegokolwiek powodu, aby uniknąć przypadkowego połknięcia.
- Połknięcie baterii może spowodować zadławienie i/lub zatrucie.
- Zainstalować urządzenie na sztywnej konstrukcji, aby zapobiec nadmiernemu hałasowi i wibracjom.
- Poziom dźwięku A nie przekracza 70 dB.
- W sklepach, w przemyśle lekkim i w gospodarstwach rolnych urządzenie powinny obsługiwać profesjonalni lub przeszkoleni użytkownicy, a w środowisku handlowym mogą to być osoby nieposiadające fachowej wiedzy.

<БЪЛГАРСКИ>

Оригиналът е текстът на английски език. Версиите на други езици са преводи на оригинала.

⚠ ВНИМАНИЕ

- Изтичането на хладилен агент може да причини задъшаване. Осигурете вентилация съобразно с EN378-1.
- Не забравяйте да поставите изолация на тръбите. Директният контакт с оголени тръби може да причини изгаряне или измръзване.
- При никакви обстоятелства не поставяйте батериите в устата си, в противен случай може да ги погълнете случайно.
- Поглъщането на батериите може да доведе до задавяне и/или отравяне.
- Монтирайте тялото върху твърда конструкция, за да предотвратите прекомерен шум или вибрации по време на работа.
- А-претегленото ниво на звуково налягане е под 70 dB.
- Този уред е предназначен за използване от експерти или обучени потребители в магазини, в леката промишленост и във ферми, или за търговска употреба от неспециалисти.

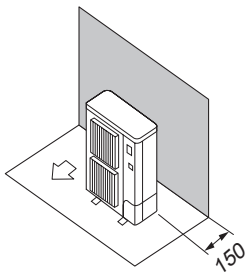


Fig. 2-6

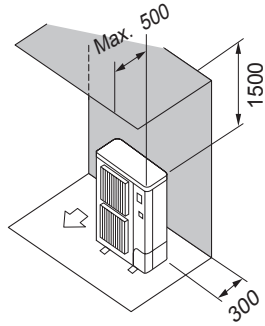


Fig. 2-7

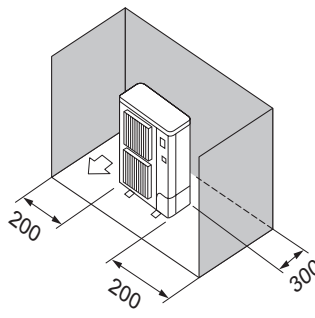


Fig. 2-8

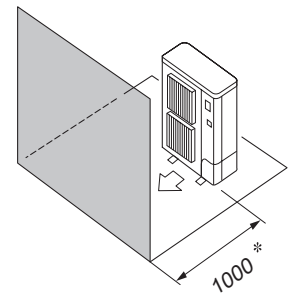


Fig. 2-9

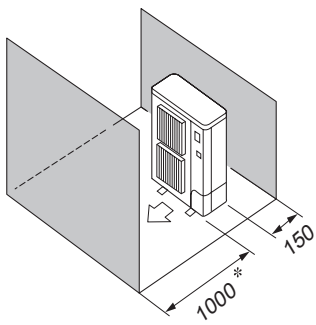


Fig. 2-10

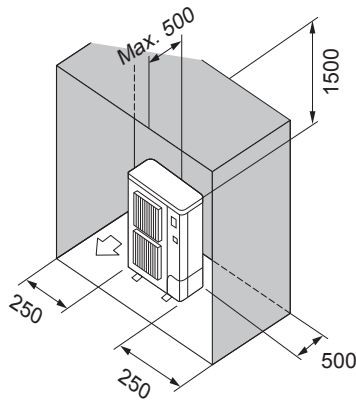


Fig. 2-11

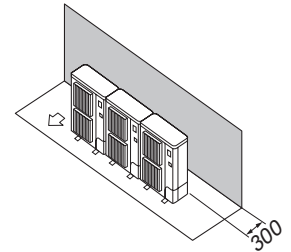


Fig. 2-12

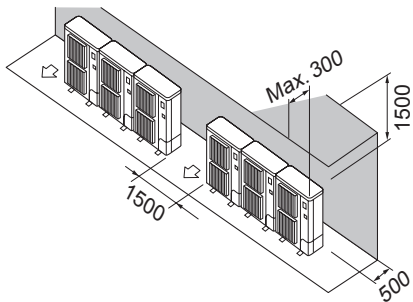


Fig. 2-13

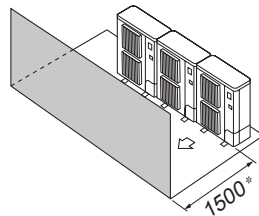


Fig. 2-14

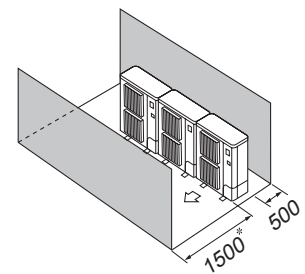


Fig. 2-15

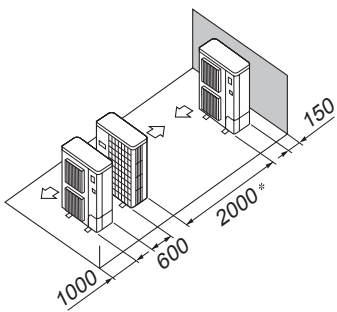


Fig. 2-16

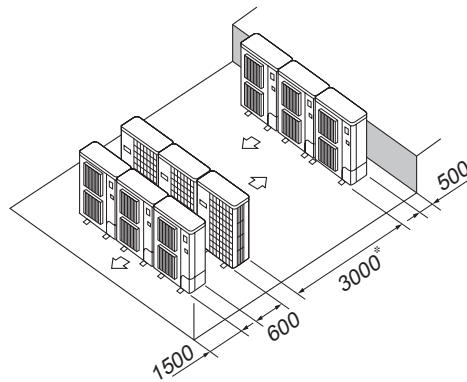


Fig. 2-17

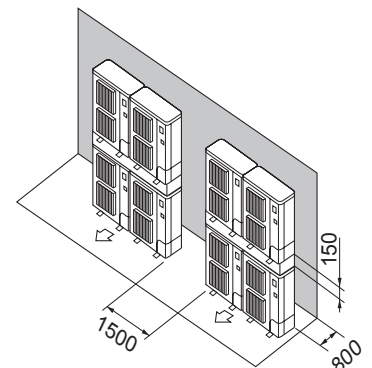


Fig. 2-18

This product is designed and intended for use in the residential,
commercial and light-industrial environment.

Importer:

Mitsubishi Electric Europe B.V.
Capronilaan 46, 1119 NS, Schiphol Rijk, The Netherlands

French Branch
25, Boulevard des Bouvets, 92741 Nanterre Cedex, France

German Branch
Mitsubishi-Electric-Platz 1, 40882 Ratingen, Germany

Belgian Branch
Autobaan 2, 8210 Loppem, Belgium

Irish Branch
Westgate Business Park, Ballymount, Dublin 24, Ireland

Italian Branch
Centro Direzionale Colleoni, Palazzo Sirio-Ingresso 1 Viale Colleoni 7, 20864 Agrate Brianza (MB), Italy

Norwegian Branch
Gneisveien 2D, 1914 Ytre Enebakk, Norway

Portuguese Branch
Avda. do Forte, 10, 2799-514, Carnaxide, Lisbon, Portugal

Spanish Branch
Carretera de Rubi 76-80 - Apdo. 420 08173 Sant Cugat del Valles (Barcelona), Spain

Scandinavian Branch
Hammarbacken 14, P.O. Box 750 SE-19127, Sollentuna, Sweden

UK Branch
Travellers Lane, Hatfield, Herts., AL10 8XB, England, U.K.

Polish Branch
Krakowska 50, PL-32-083 Balice, Poland

MITSUBISHI ELECTRIC TURKEY ELEKTRİK ÜRÜNLERİ A.Ş.
Şerifali Mah. Kale Sok. No: 41 34775 Ümraniye, İstanbul / Turkey

ООО «Мицубиси Электрик (РУС)»
115114, Российская Федерация, г. Москва, ул. Летниковская, д. 2, стр. 1, 5 этаж